



US00D784179S

(12) **United States Design Patent** (10) **Patent No.:** **US D784,179 S**
Suzuki (45) **Date of Patent:** **** Apr. 18, 2017**

(54) **BUTTERFLY FINGER RING**
(71) Applicant: **ATELIER OPA Co., Ltd.**, Tokyo (JP)
(72) Inventor: **Yuki Suzuki**, Tokyo (JP)
(73) Assignee: **ATELIER OPA CO., LTD.**, Tokyo (JP)

D673,479 S * 1/2013 Johnson D11/57
8,931,381 B2 * 1/2015 Poran B26B 29/02
30/1
D755,321 S * 5/2016 Levesque D21/806
2007/0017252 A1 * 1/2007 Yoshida A44C 9/0023
63/15
2016/0037873 A1 * 2/2016 Decker A44C 9/0061
63/1.14

(**) Term: **15 Years**
(21) Appl. No.: **29/532,248**
(22) Filed: **Jul. 2, 2015**
(51) **LOC (10) Cl.** **11-01**
(52) **U.S. Cl.**
USPC **D11/26**
(58) **Field of Classification Search**
USPC D11/3-5, 26-43, 45, 79, 89-92; D7/633
CPC .. A44C 5/00; A44C 7/00; A44C 7/002; A44C
7/004; A44C 9/00; A44C 9/0007; A44C
9/0015; A44C 9/0023; A44C 9/003; A44C
9/0038; A44C 9/0046; A44C 9/0053;
A44C 9/0061; A44C 9/0069; A44C
9/0076; A44C 15/001; A44C 17/02; A44C
17/0208; A44C 17/0216; A44C 17/0225;
A44C 17/0233; A44C 17/0241; A44C
17/025; A44C 17/0258
See application file for complete search history.

OTHER PUBLICATIONS

Lexus International's Lexus Design Award 2013 listing of award winning designs "The Drinking Fountain" pp. 7-9 (online) retrieved from Internet Sep. 27, 2016, URL: <http://www.lexus-int.com/lexus-design/lexus-design-award/2013/> (13 pages).
Atelier OPA "Fountain Ring: Enjoy your very own fountain" press release (online) posted by OPA sugihara on Aug. 17, 2015. Retrieved from Internet on Sep. 27, 2016, URL: <http://www.atelier-opa.com/fountain-ring/fountain-ring-press-release.html> (5 pages).*

* cited by examiner

Primary Examiner — Karen S Acker
Assistant Examiner — Wendy Arminio
(74) *Attorney, Agent, or Firm* — Konomi Takeshita

(57) **CLAIM**

The ornamental design for a butterfly finger ring, as shown and described.

(56) **References Cited**

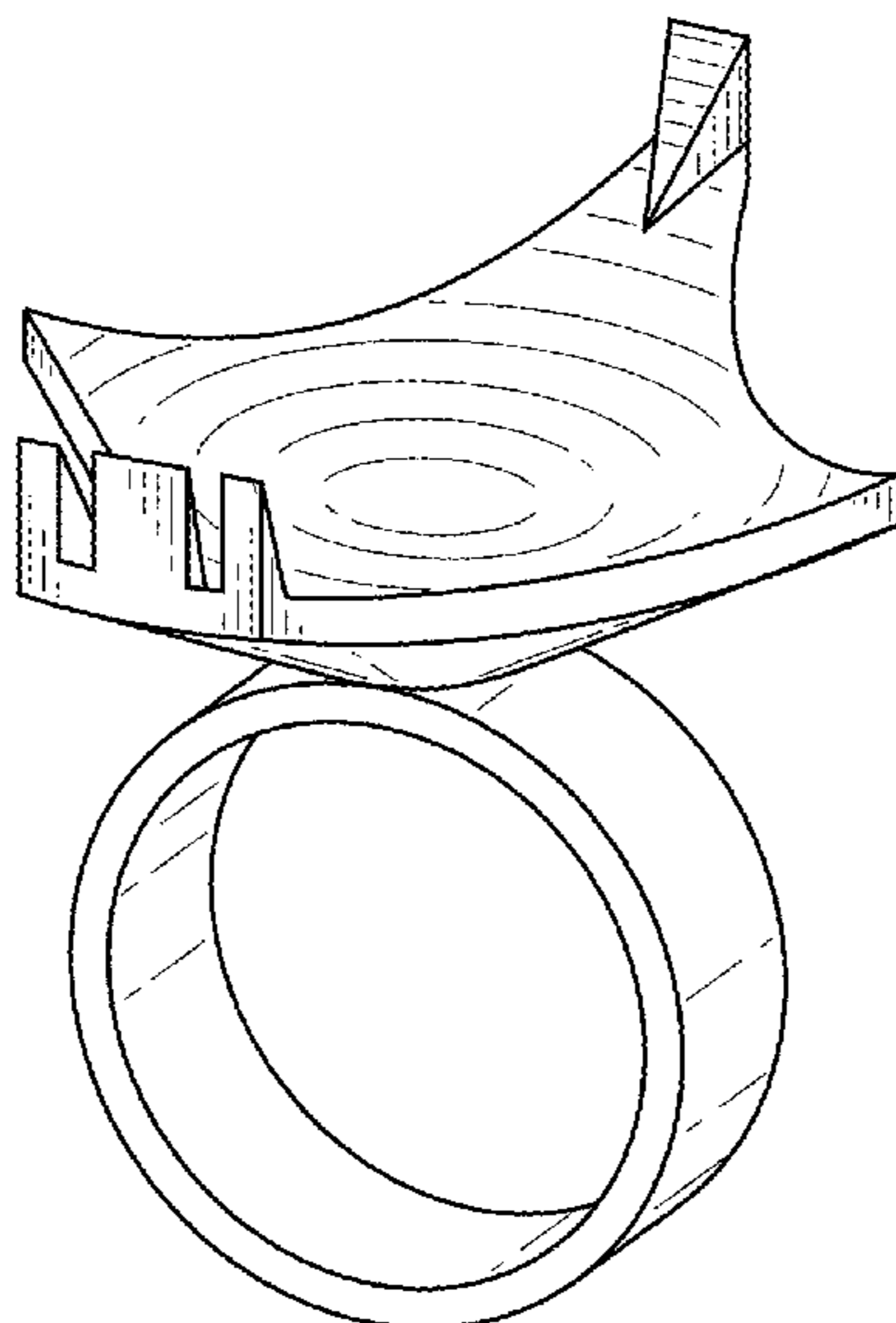
U.S. PATENT DOCUMENTS

D31,659 S * 10/1899 Finn D11/4
D351,257 S * 10/1994 Roberts D11/26
D403,701 S * 1/1999 Coipel D19/1
D434,996 S * 12/2000 Harkness D11/26
D454,298 S * 3/2002 Davis D9/630
D533,104 S * 12/2006 Ho D11/90
D563,780 S * 3/2008 Pitcher D8/395
7,421,787 B2 * 9/2008 White A47J 43/288
2/16

DESCRIPTION

FIG. 1 is a top view of a butterfly finger ring;
FIG. 2 is a bottom view thereof;
FIG. 3 is a front view thereof;
FIG. 4 is a rear view thereof;
FIG. 5 is a right side view thereof;
FIG. 6 is a left side view thereof; and,
FIG. 7 is a perspective view thereof.

1 Claim, 7 Drawing Sheets



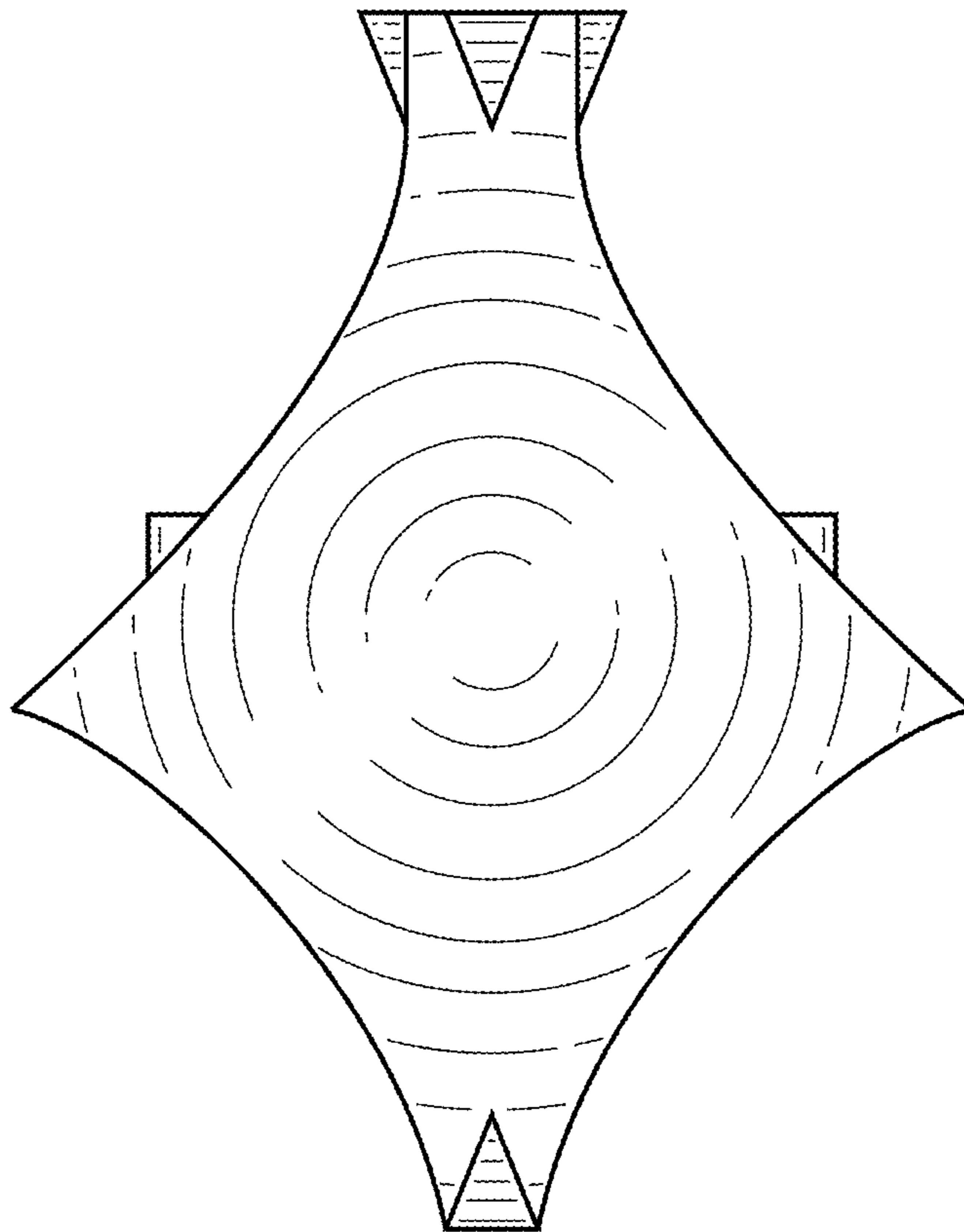


FIG. 1

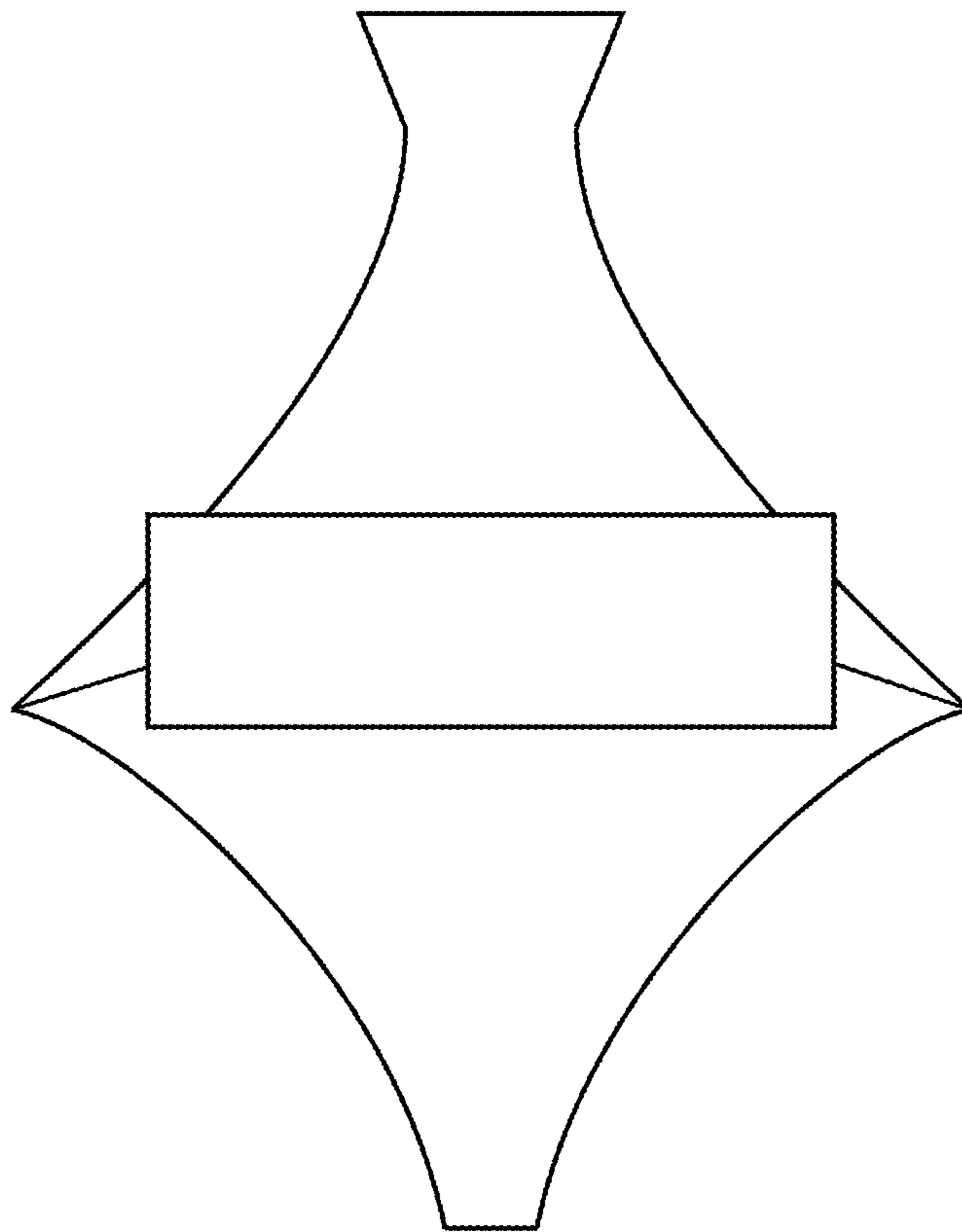


FIG.2

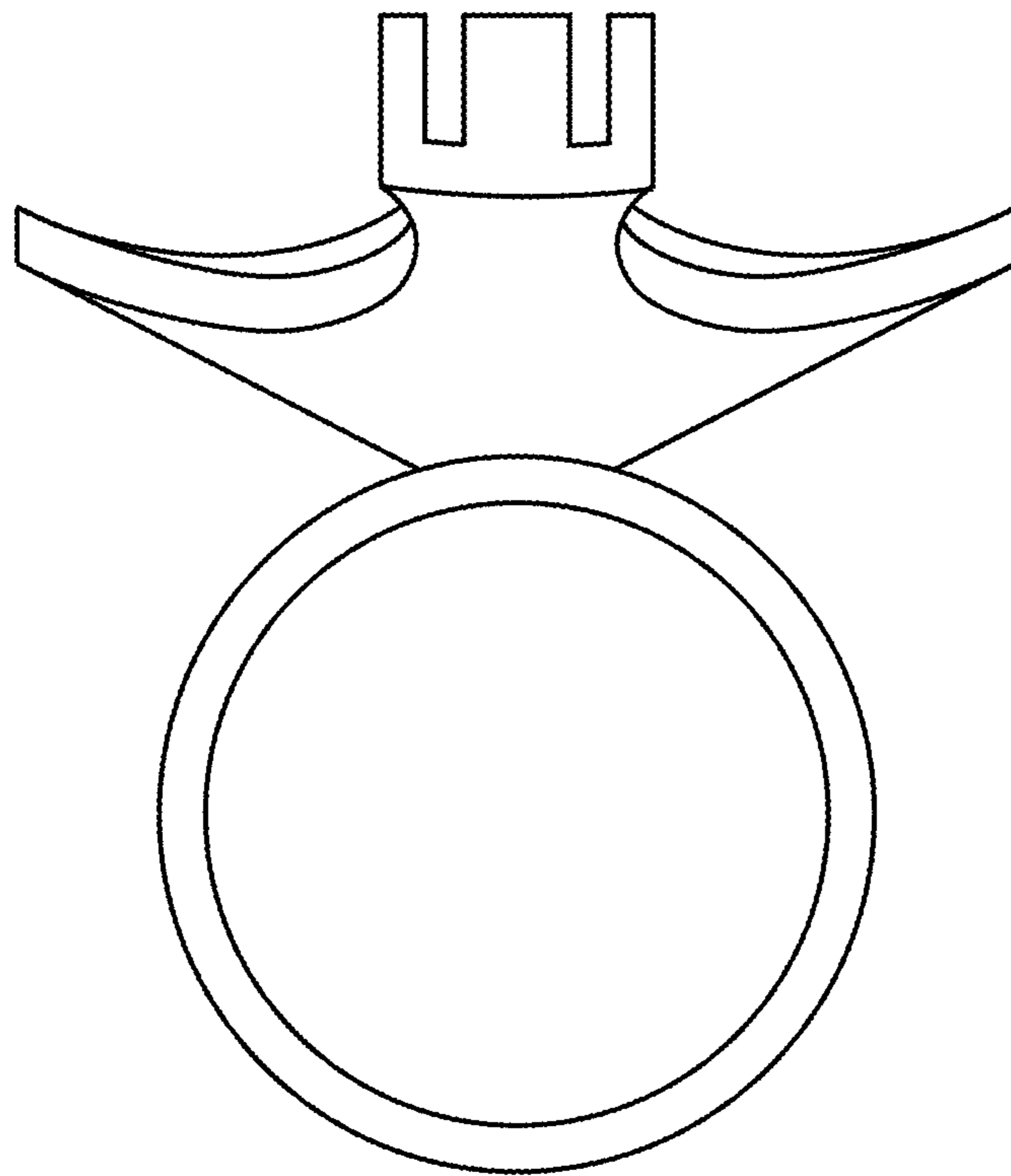


FIG.3

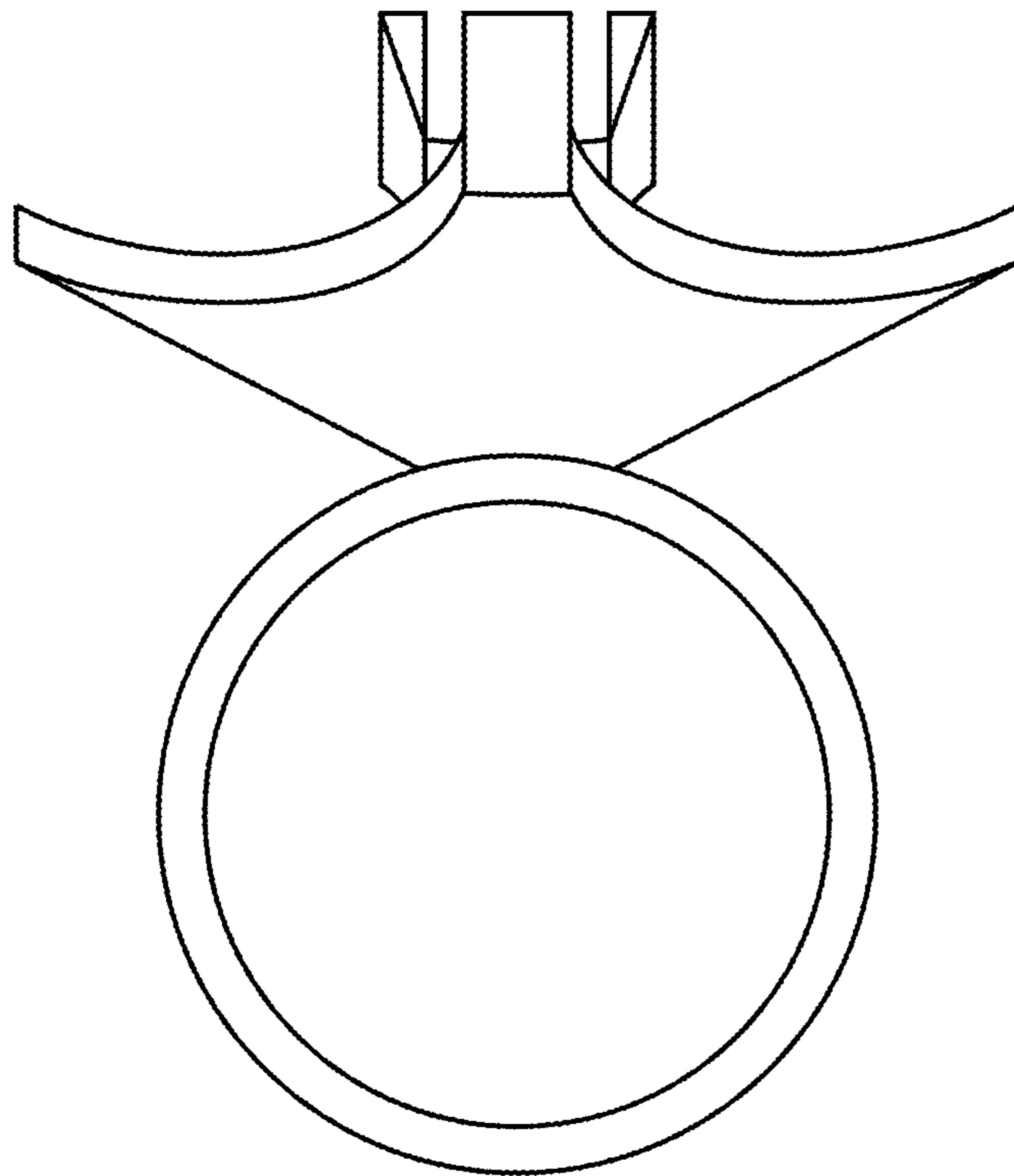


FIG.4

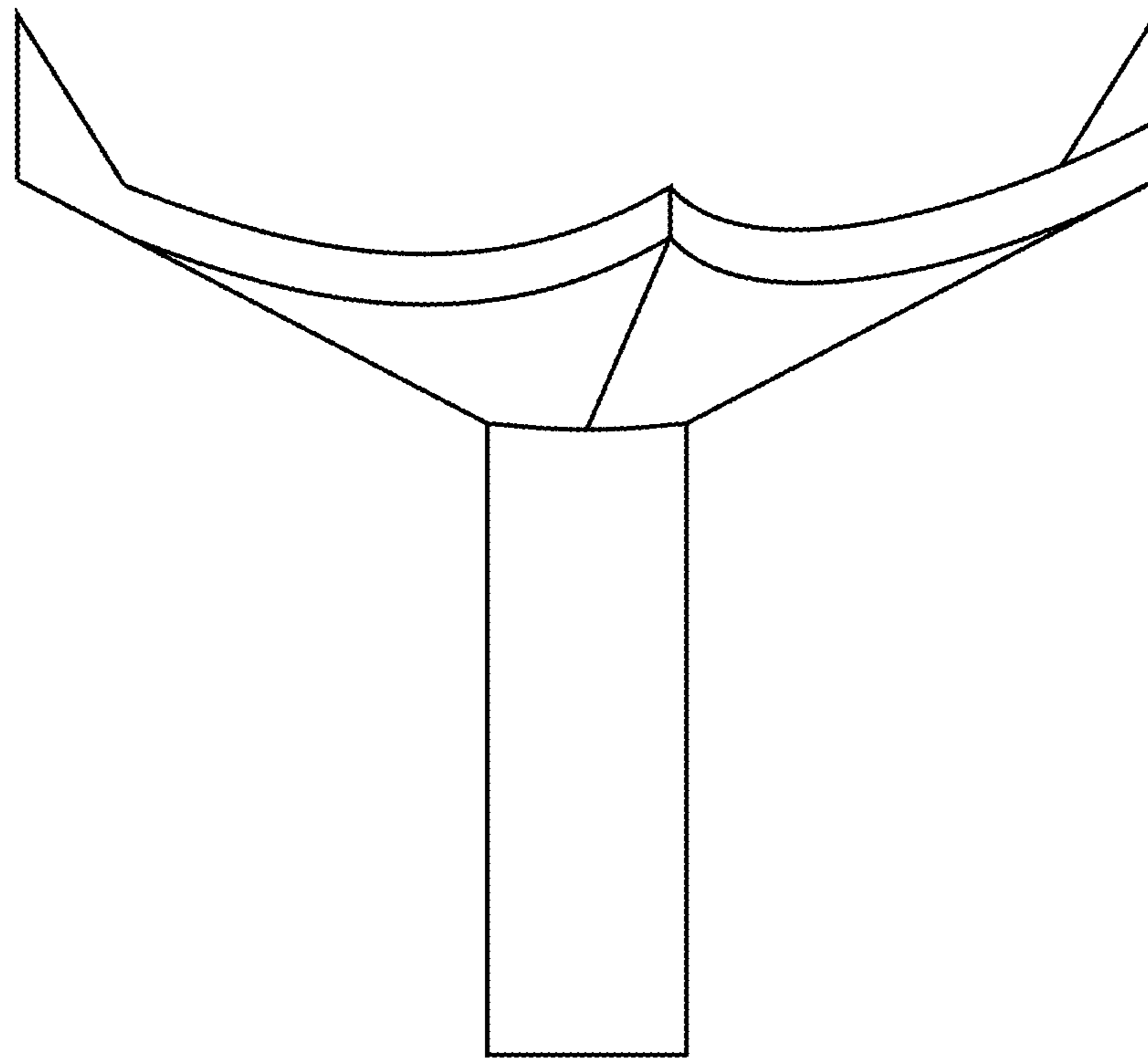


FIG.5

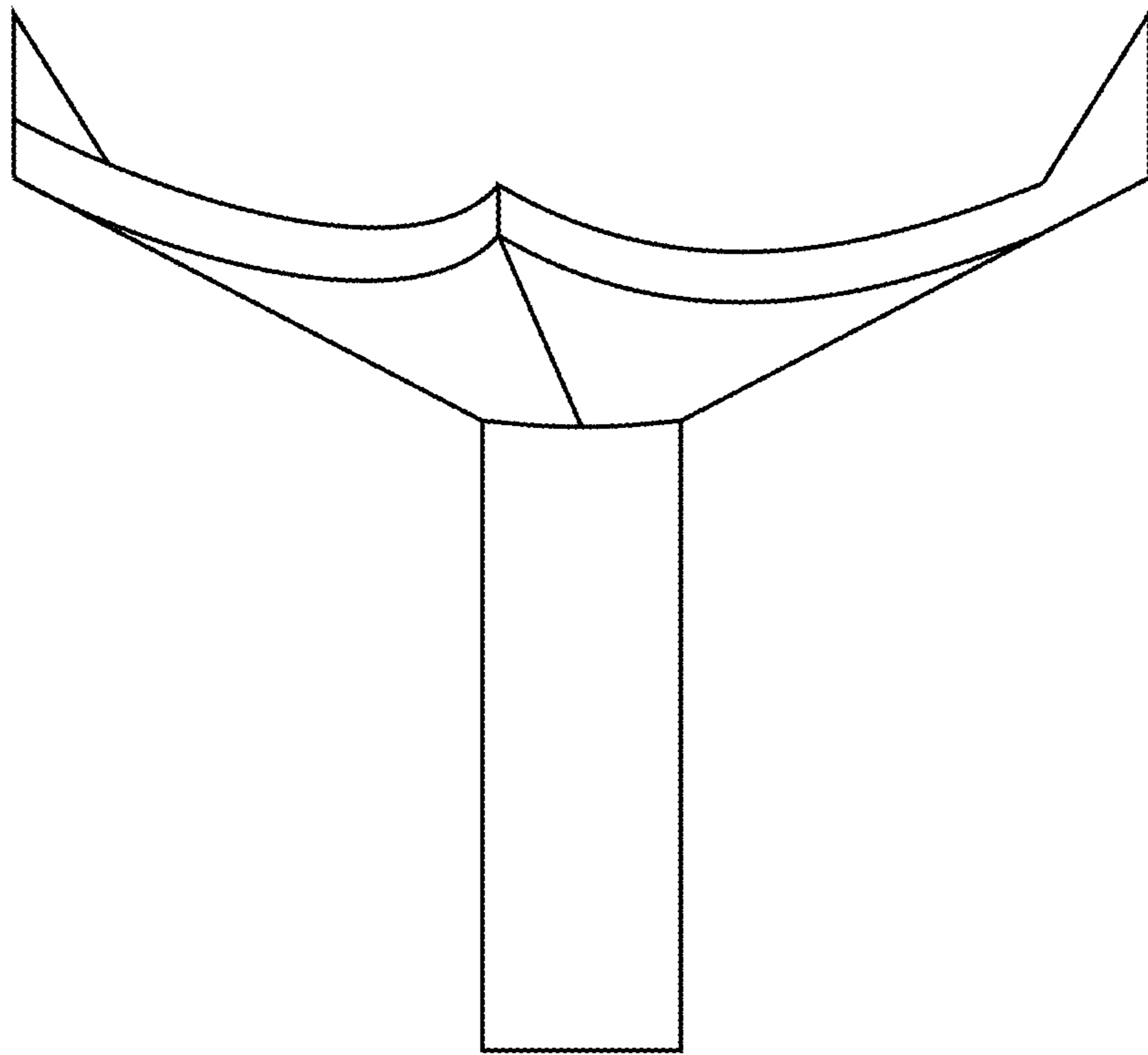


FIG.6

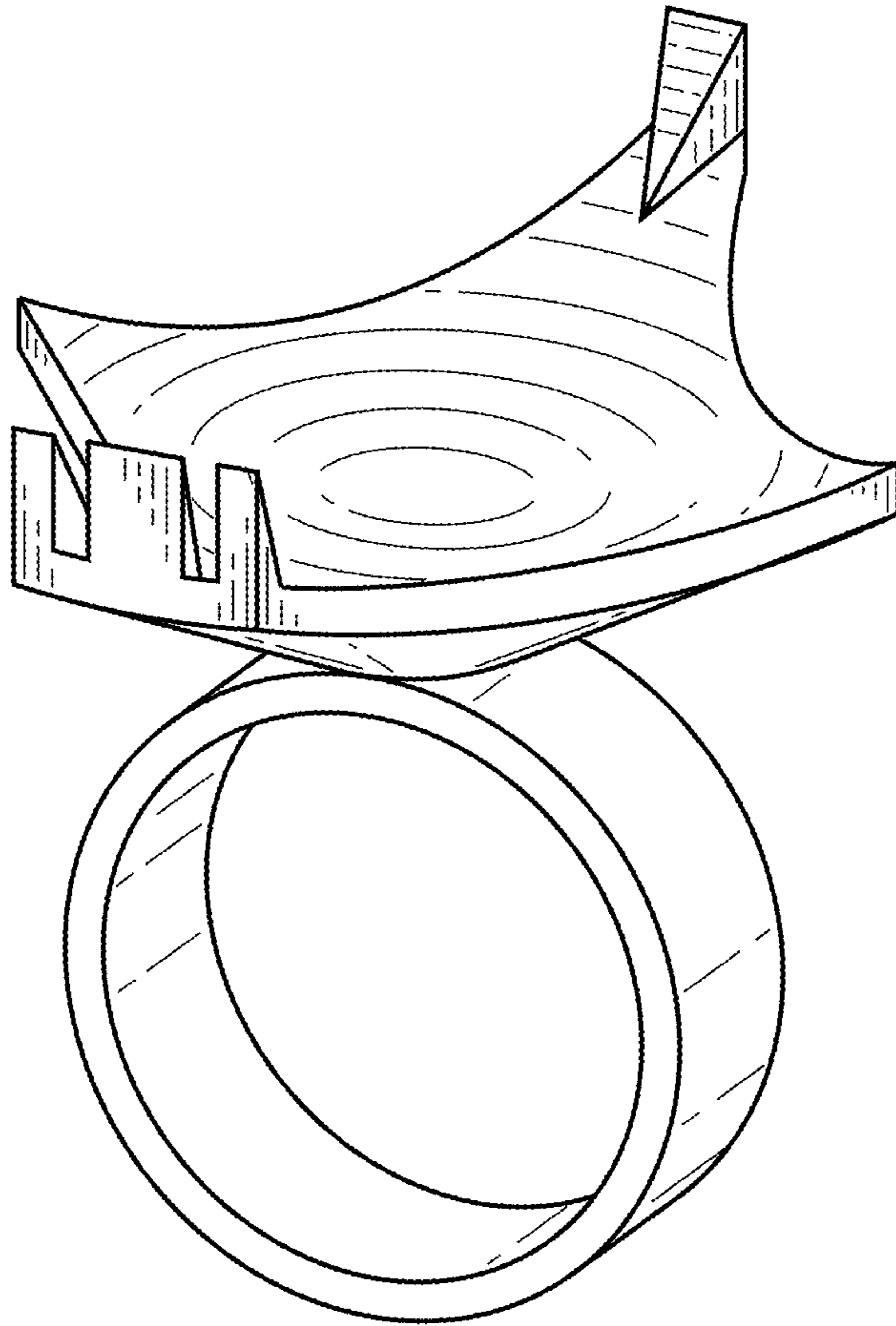


FIG. 7