



US00D784178S

(12) **United States Design Patent** (10) **Patent No.:** **US D784,178 S**  
**Miller** (45) **Date of Patent:** **\*\* Apr. 18, 2017**

(54) **CHAIN BRACELET**  
(71) Applicant: **Atocha Treasure Company, LLC**,  
Estero, FL (US)  
(72) Inventor: **Kenny Miller**, Estero, FL (US)  
(73) Assignee: **Atocha Treasure Company, LLC**,  
Estero, FL (US)

D479,768 S \* 9/2003 Macevicz ..... D3/211  
D545,234 S \* 6/2007 Sogoyan ..... D11/13  
7,267,220 B2 \* 9/2007 Wang ..... F16G 13/18  
198/850  
D691,507 S \* 10/2013 Stanev ..... D11/26  
D719,045 S 12/2014 Miller  
D719,046 S \* 12/2014 Miller ..... D11/13  
D758,235 S \* 6/2016 Miller ..... D11/13  
D760,110 S \* 6/2016 Miller ..... D11/44  
D771,189 S \* 11/2016 Robinson ..... D11/34

(\*\*) Term: **15 Years**

**OTHER PUBLICATIONS**

(21) Appl. No.: **29/557,878**

Bike Chain Bracelet with Double Crystals (available online)  
Retrieved from the internet Nov. 22, 2016, retrieved from the  
internet URL: [www.cycleheart.com/bike-chain-bracelets](http://www.cycleheart.com/bike-chain-bracelets).\*

(22) Filed: **Mar. 14, 2016**

\* cited by examiner

(51) **LOC (10) Cl.** ..... **11-01**

(52) **U.S. Cl.**  
USPC ..... **D11/13**

*Primary Examiner* — Garth Rademaker  
*Assistant Examiner* — Richard Kearney  
(74) *Attorney, Agent, or Firm* — Kevin Keener; Keener  
and Associates P.C.

(58) **Field of Classification Search**  
USPC ..... D11/1-39; D12/122-124; D3/208, 210,  
D3/211  
CPC .. A44C 5/00; A44C 5/10; A44C 5/022; A44C  
5/025; A44C 5/145; A44C 5/0007; A44C  
5/0061; A44C 5/0076; A44C 5/0084;  
A44C 5/0092; A44C 5/2071; A44C  
5/2085; A44C 9/0038; A44C 9/0053;  
A44C 17/02

See application file for complete search history.

(57) **CLAIM**  
The ornamental design for a chain bracelet, as shown and  
described.

**DESCRIPTION**

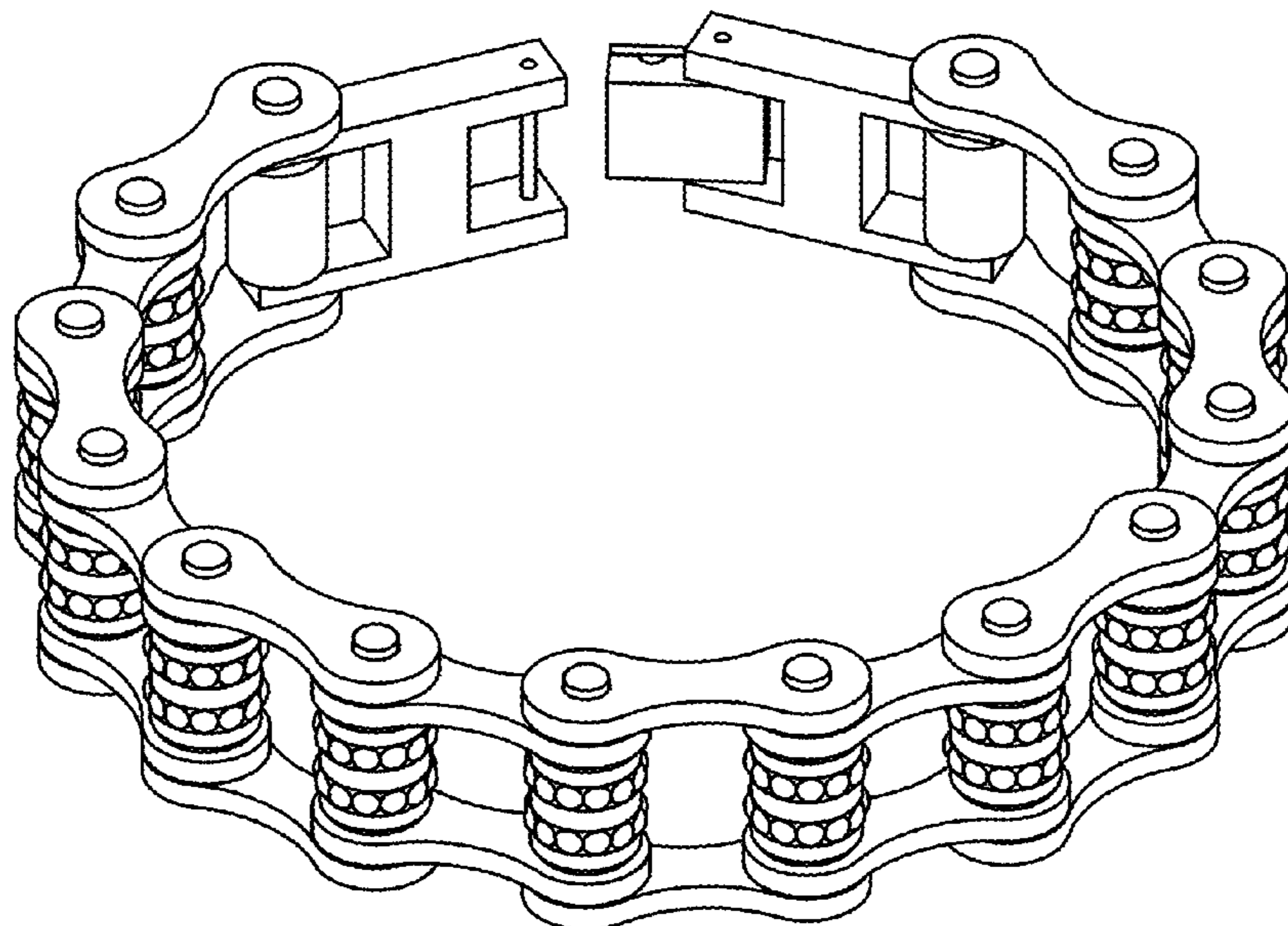
(56) **References Cited**

**U.S. PATENT DOCUMENTS**

D246,960 S \* 1/1978 Lossini ..... D11/12  
D412,058 S \* 7/1999 Edworthy ..... D3/208  
D435,766 S \* 1/2001 Kingsley ..... D3/210  
D460,698 S \* 7/2002 Jamin ..... D10/32

FIG. 1 is a top perspective view of a chain bracelet;  
FIG. 2 is a top plan view thereof;  
FIG. 3 is a side plan view thereof;  
FIG. 4 is a partial top view, shown at a larger scale, showing  
a portion of the bracelet links separately for completeness of  
illustration; and,  
FIG. 5 is a top perspective view thereof.

**1 Claim, 4 Drawing Sheets**



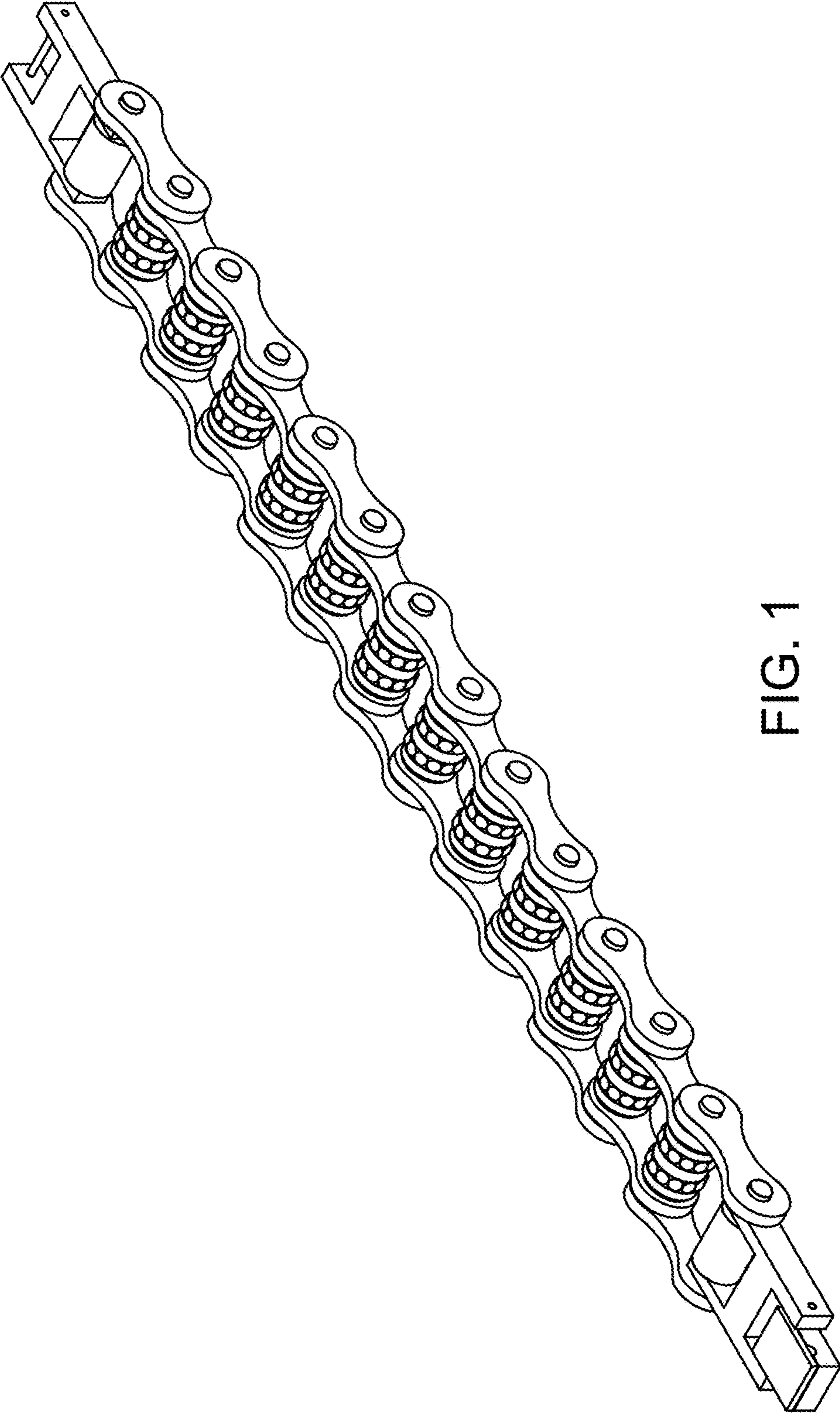


FIG. 1

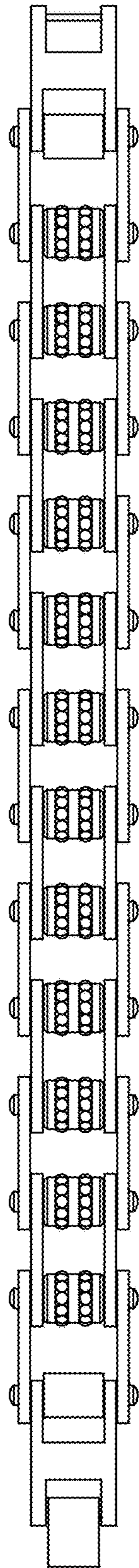


FIG. 2



FIG. 3

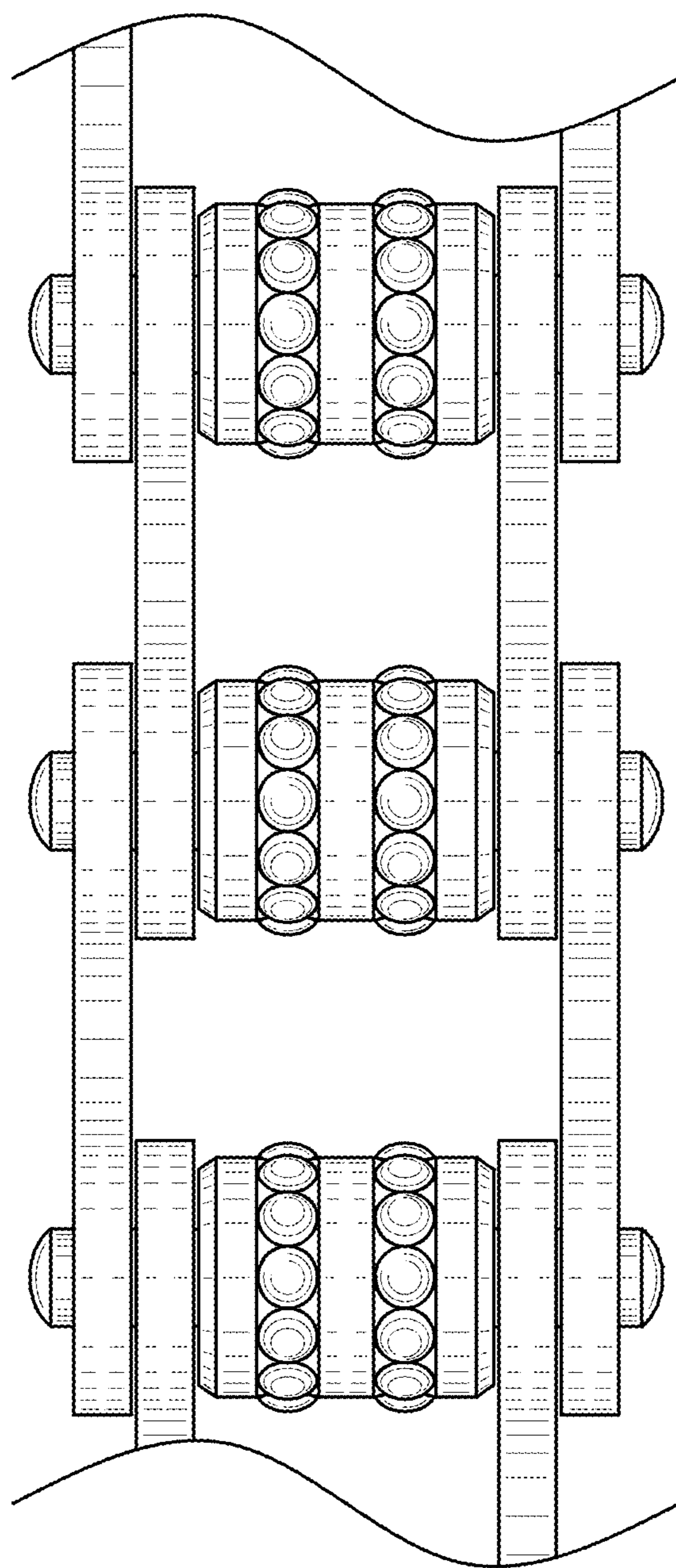


FIG. 4

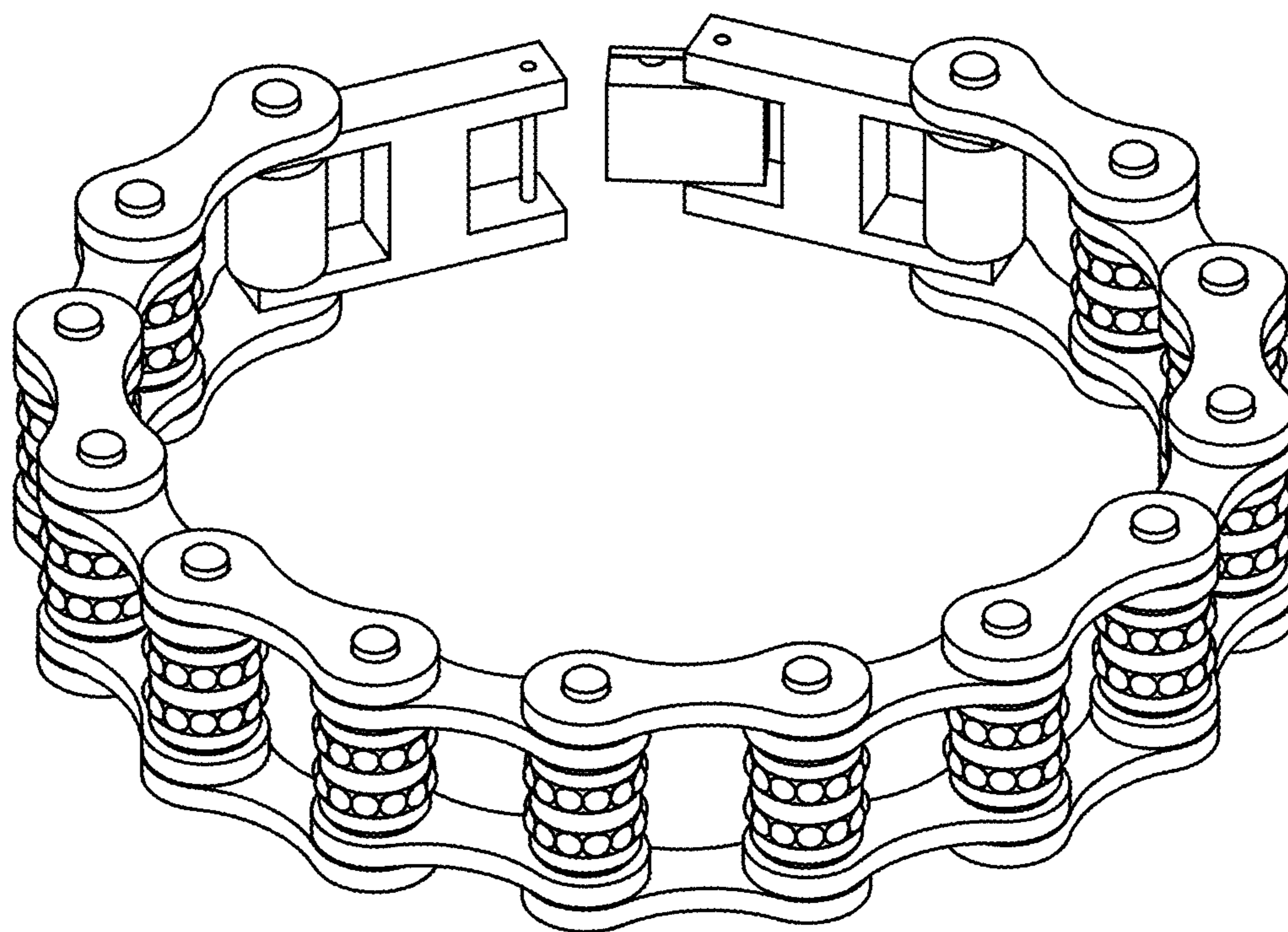


FIG. 5