



US00D784177S

(12) **United States Design Patent** (10) **Patent No.:** **US D784,177 S**
Kaiser (45) **Date of Patent:** **** Apr. 18, 2017**

(54) **BOTTLE OPENER BRACELET**
(71) Applicant: **Matthew Kaiser**, Highland, MD (US)
(72) Inventor: **Matthew Kaiser**, Highland, MD (US)
(**) Term: **15 Years**
(21) Appl. No.: **29/564,867**
(22) Filed: **May 16, 2016**

D612,269 S * 3/2010 Leung D10/32
D640,948 S * 7/2011 Quigley 87/1
D657,705 S * 4/2012 Guerrero, II D11/26
D661,559 S * 6/2012 O'Connell D8/18
D683,579 S * 6/2013 Black D7/387
D687,284 S * 8/2013 Liu D8/71
D687,736 S * 8/2013 Wycoff D11/3
D688,968 S * 9/2013 Guerrero, II D11/3
D696,088 S * 12/2013 Shrock D8/40
D698,689 S * 2/2014 Boyd D11/4
D711,762 S * 8/2014 Murphy D11/4
D718,170 S * 11/2014 Aumiller D10/32
D729,674 S * 5/2015 Behar D10/103

(Continued)

Related U.S. Application Data

(63) Continuation-in-part of application No. 29/498,772, filed on Aug. 7, 2014, now Pat. No. Des. 758,907.
(51) **LOC (10) Cl.** **11-01**
(52) **U.S. Cl.**
USPC **D11/2; 8/34**
(58) **Field of Classification Search**
USPC D8/33-43; D10/30-39; D11/2-8, 26-39
CPC B67B 7/16; B67B 7/44; A44C 5/00; A44C 5/0007; A44C 5/0084; A44C 5/12; G04B 37/12; G04B 37/0008
See application file for complete search history.

Primary Examiner — Elizabeth Albert
(74) *Attorney, Agent, or Firm* — Adler Pollock & Sheehan P.C.; Daniel J. Holmader, Esq.; George N. Chaclas, Esq.

(57) **CLAIM**

The ornamental design for a bottle opener bracelet, as shown and described.

DESCRIPTION

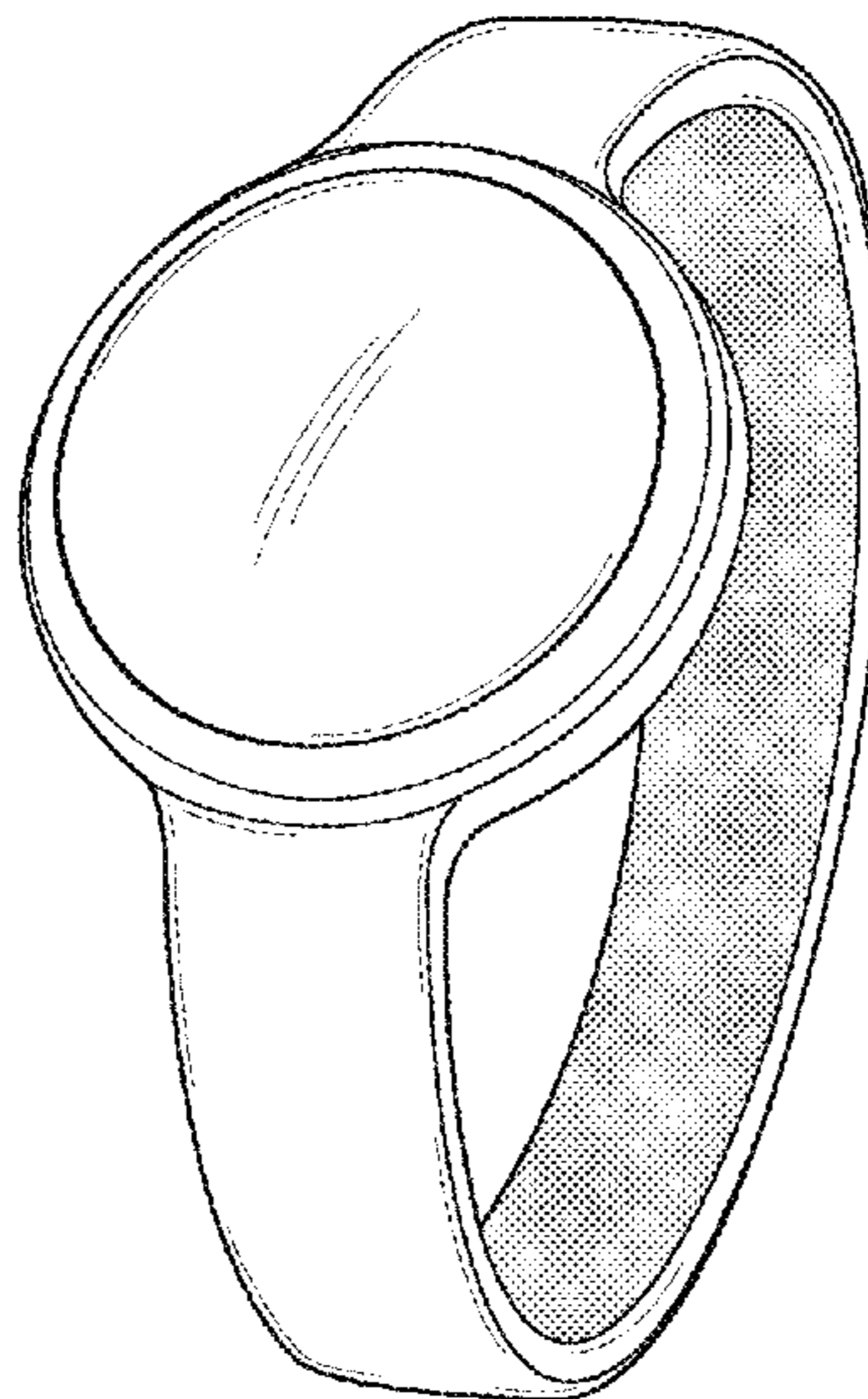
FIG. 1 is a front perspective view of a first embodiment of the bottle opener bracelet showing my new design; FIG. 2 is a rear perspective view thereof; FIG. 3 is a top view thereof; FIG. 4 is a side view thereof; FIG. 5 is a rear view thereof; FIG. 6 is a front view thereof; FIG. 7 is a front perspective view of a second embodiment of the bottle opener bracelet; FIG. 8 is a rear perspective view thereof; FIG. 9 is a top view thereof; FIG. 10 is a side view thereof; FIG. 11 is a rear view thereof; and, FIG. 12 is a front view thereof.

(56) **References Cited**

U.S. PATENT DOCUMENTS

1,752,128 A * 3/1930 Vetter G04B 37/04 368/282
2,473,226 A * 6/1949 Sheldon G04B 37/12 132/301
4,060,185 A * 11/1977 Kuroda A44C 5/0092 224/176
4,958,279 A * 9/1990 Proellochs G04B 37/1486 224/179
D455,356 S * 4/2002 Saffer D10/32
D476,905 S * 7/2003 El Kadiri D10/30
7,070,322 B1 * 7/2006 Field G04B 37/00 224/164
D566,580 S * 4/2008 Giorgio D10/32

1 Claim, 12 Drawing Sheets



(56)

References Cited

U.S. PATENT DOCUMENTS

D733,579 S * 7/2015 Arellano D10/38
D740,695 S * 10/2015 Waecker D10/38
2007/0091730 A1* 4/2007 Ting A44C 5/0007
368/282
2012/0234043 A1* 9/2012 Guerrero, II A44C 25/002
63/13
2012/0234044 A1* 9/2012 Matysik A44C 9/0061
63/15
2014/0216209 A1* 8/2014 Shrock B67B 7/16
81/3.25

* cited by examiner

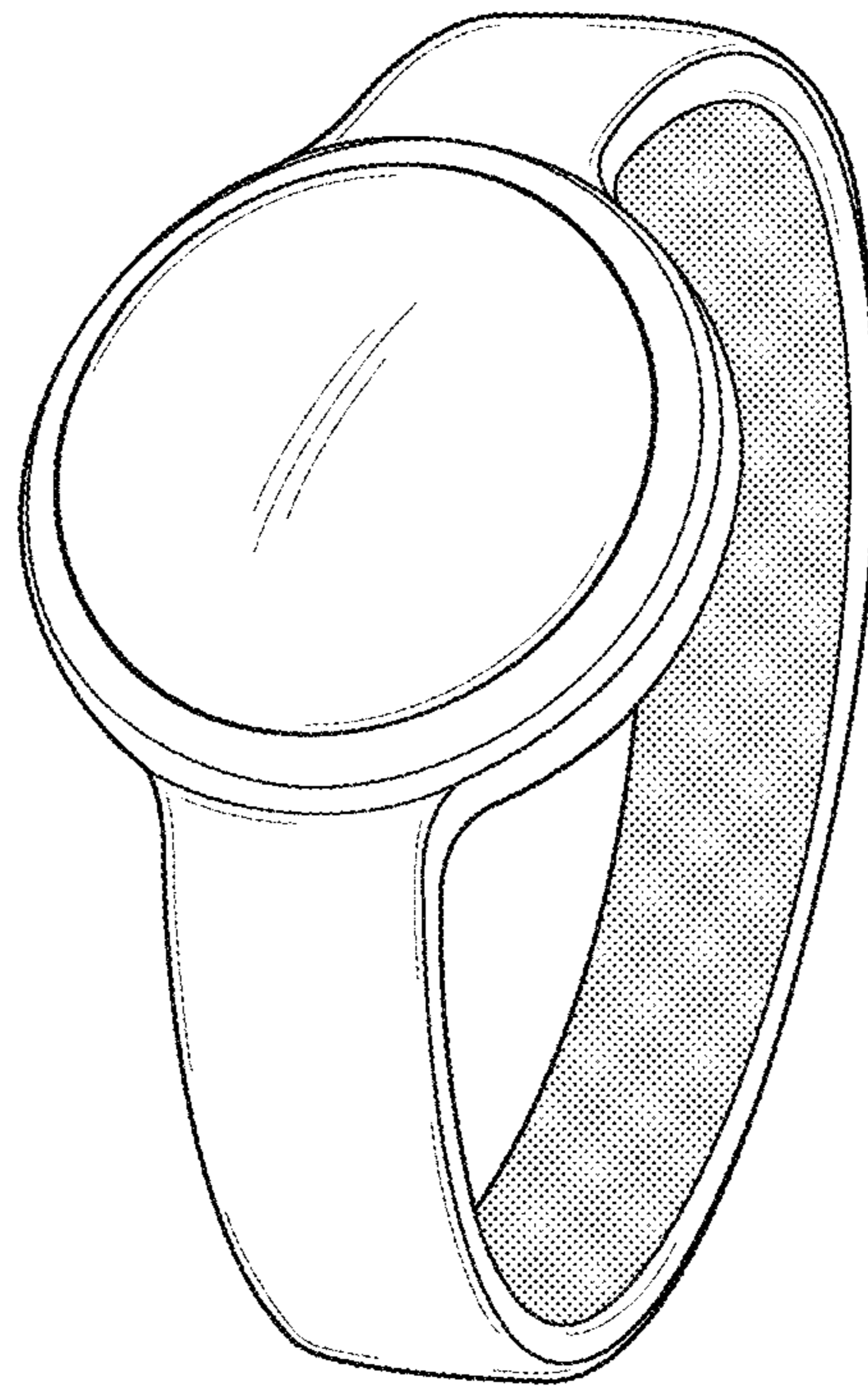


Fig. 1

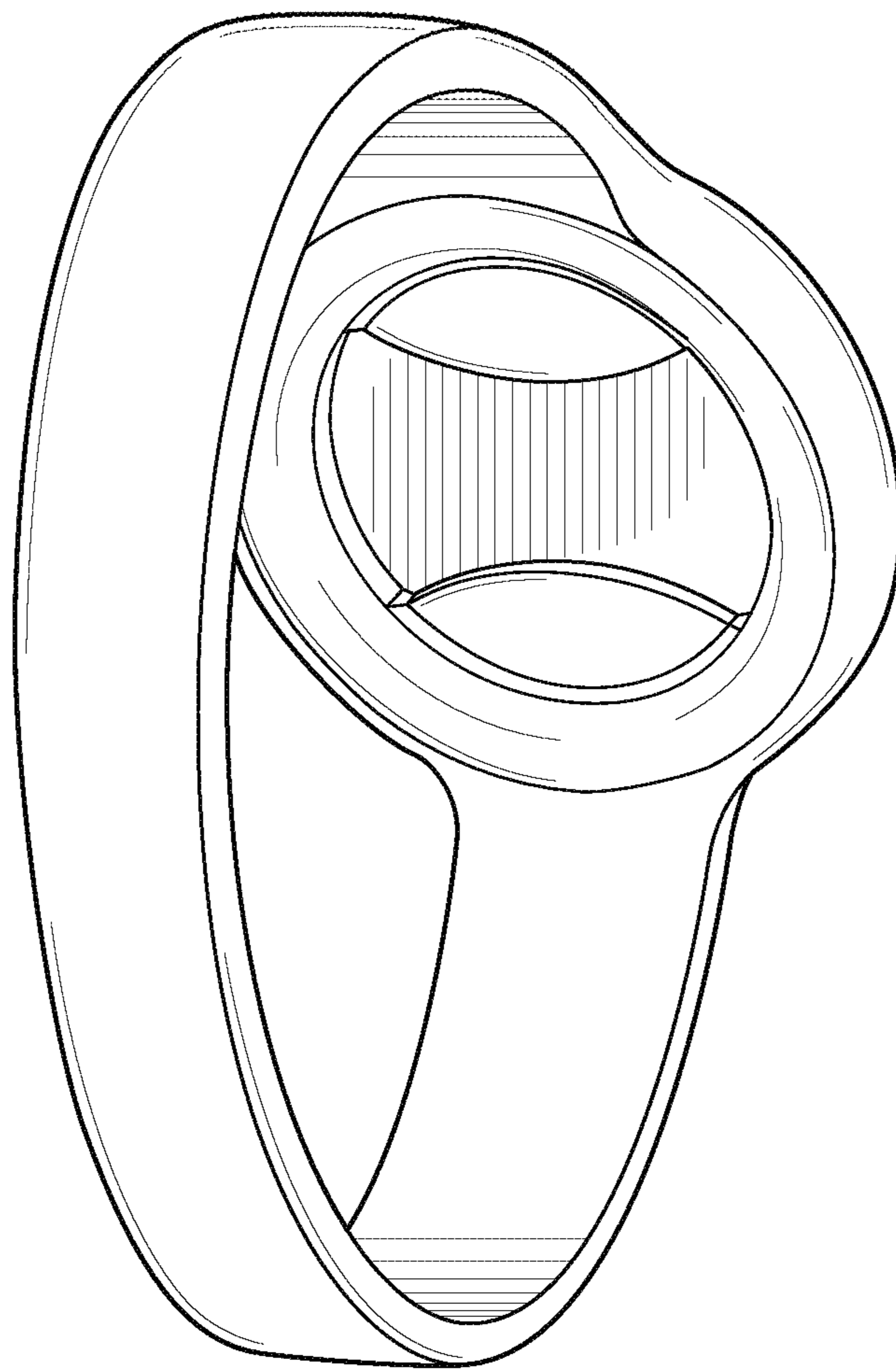


Fig. 2

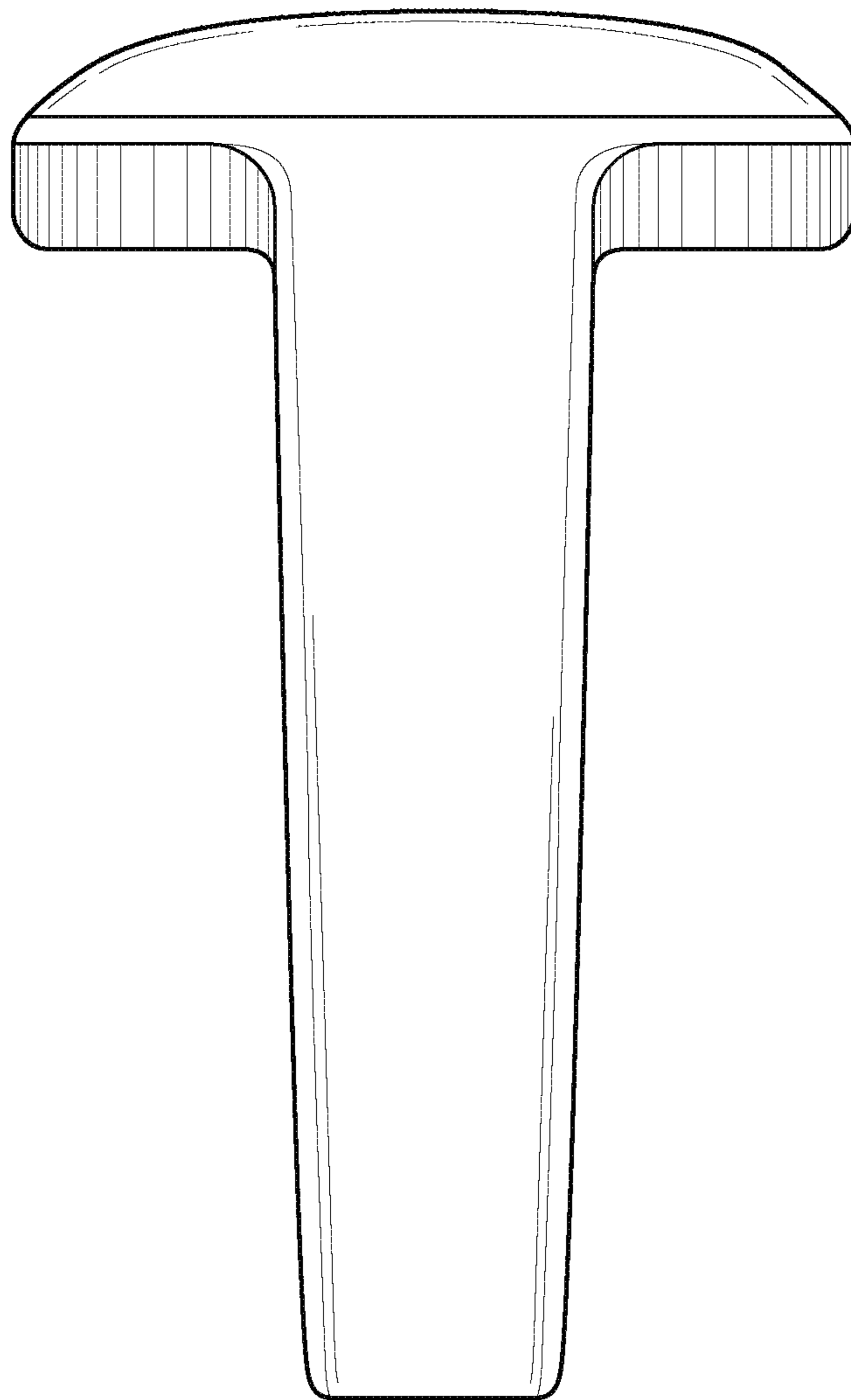


Fig. 3

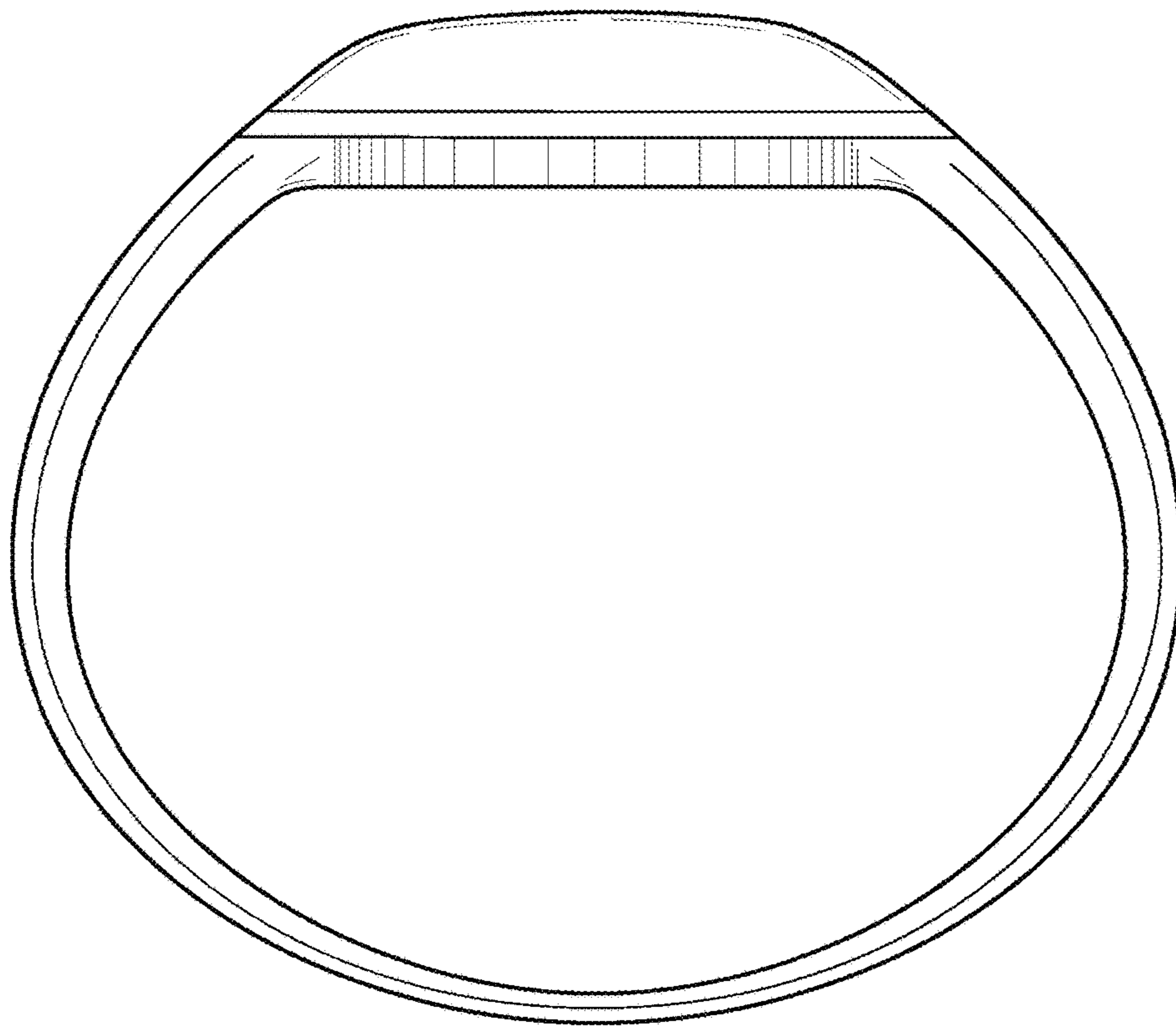


Fig. 4

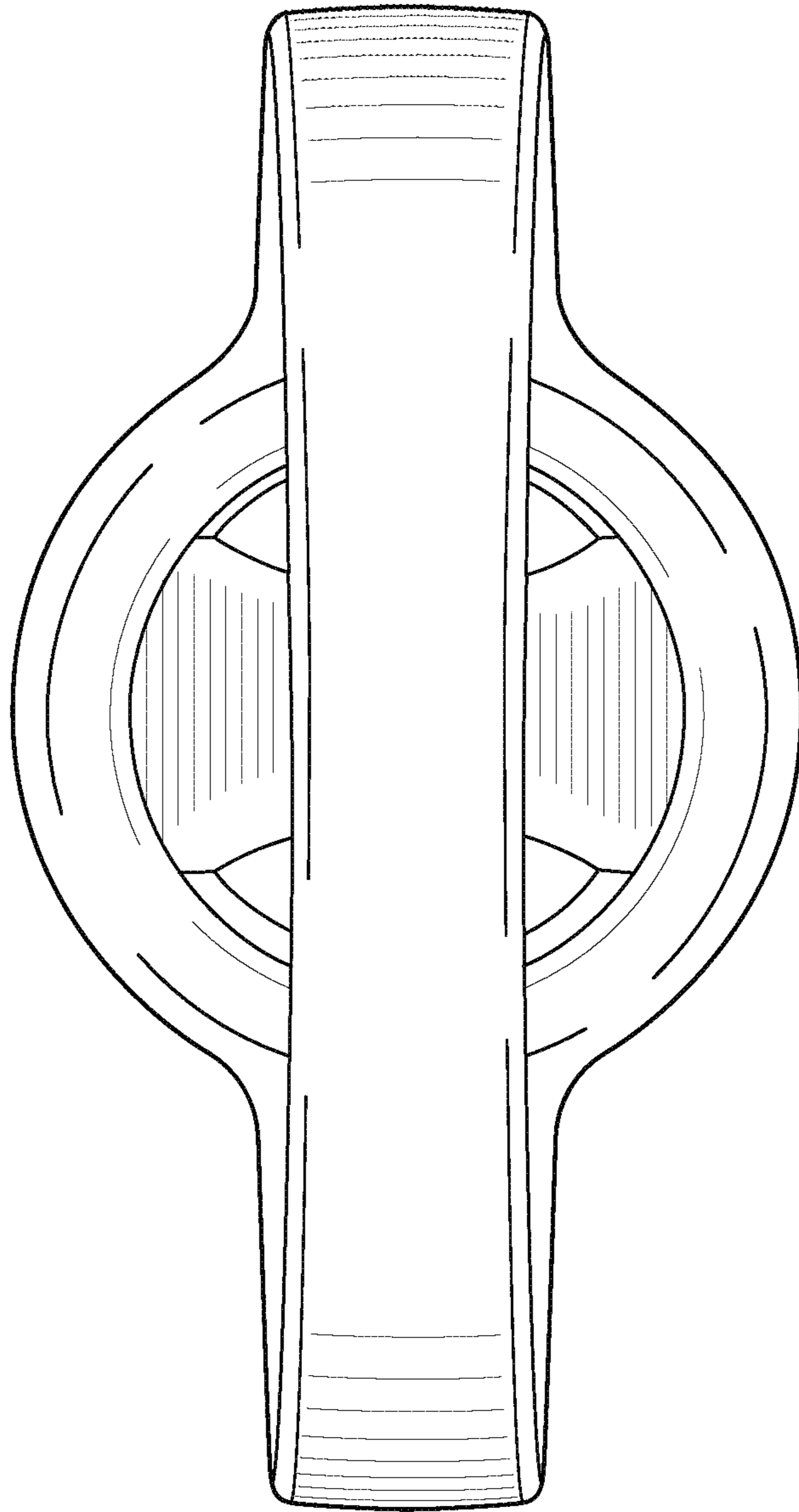


Fig. 5

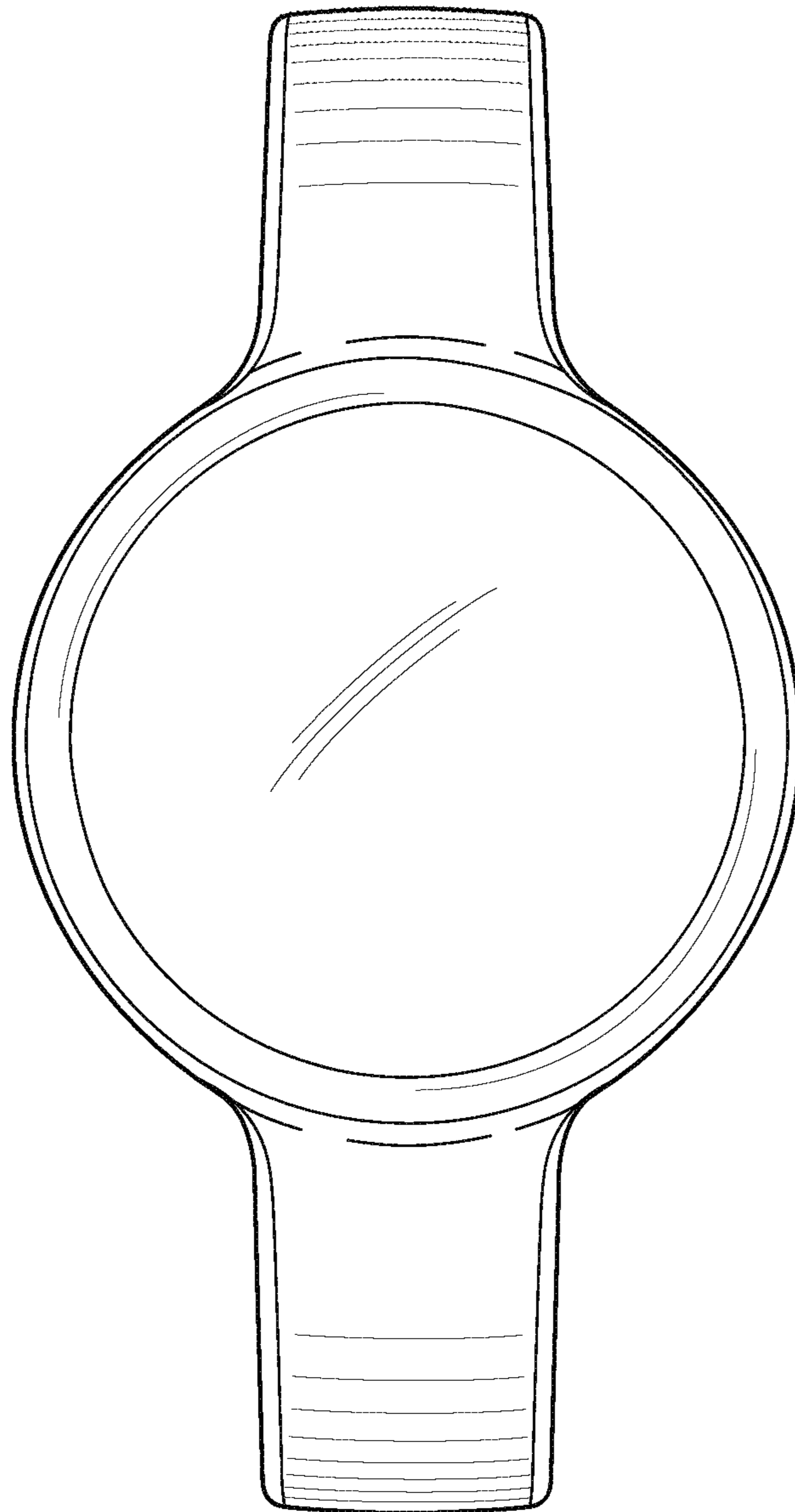


Fig. 6

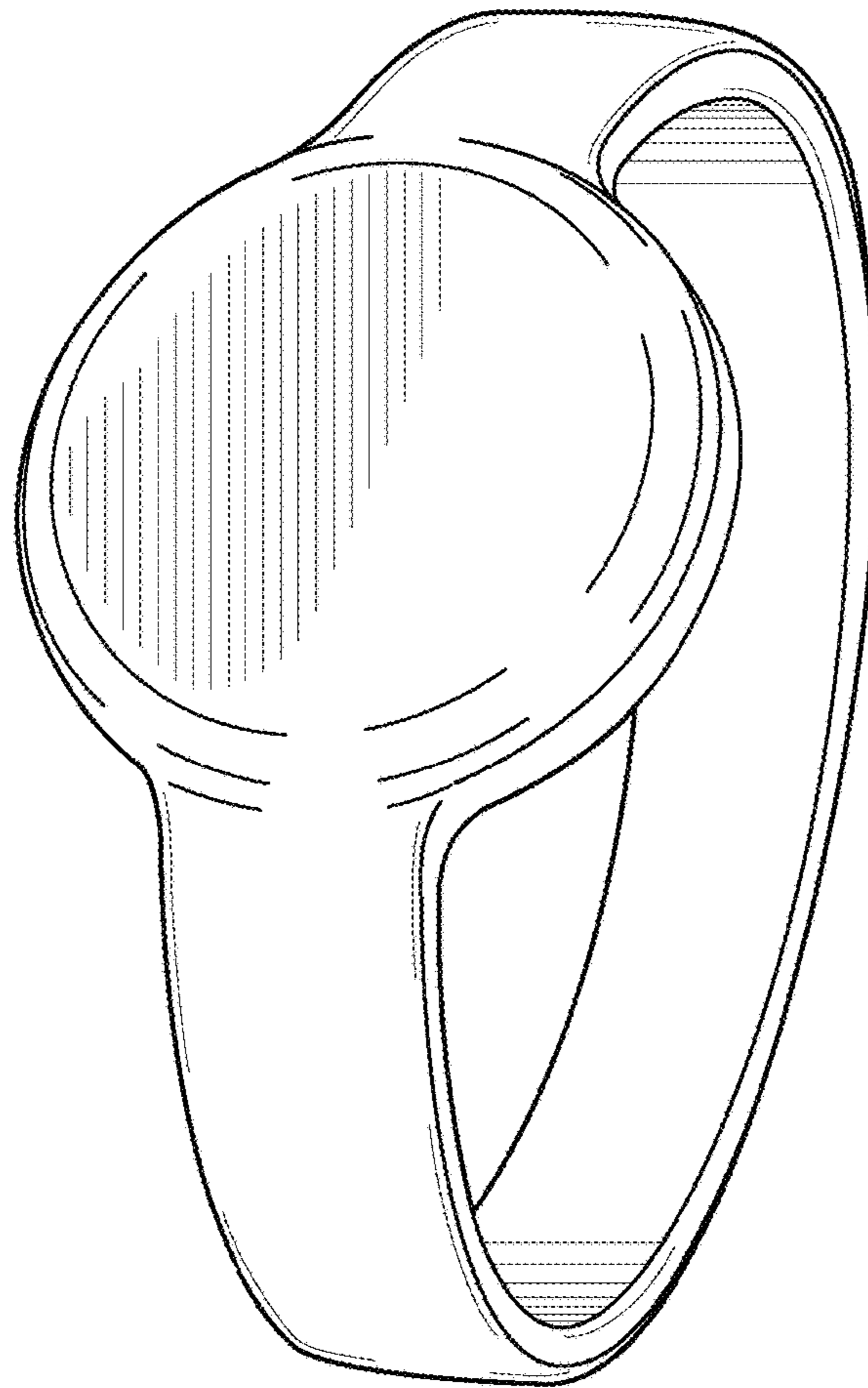


Fig. 7

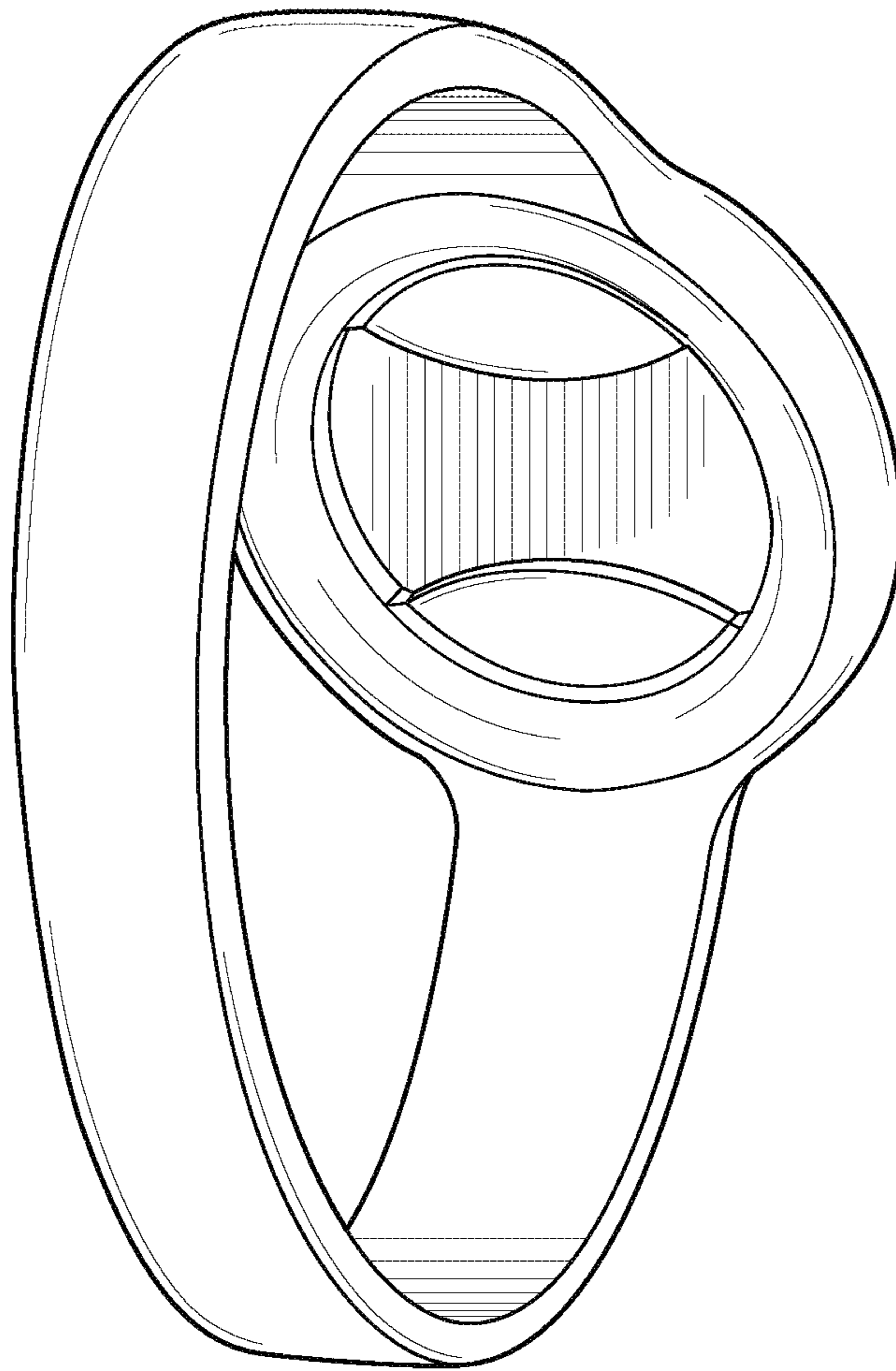


Fig. 8

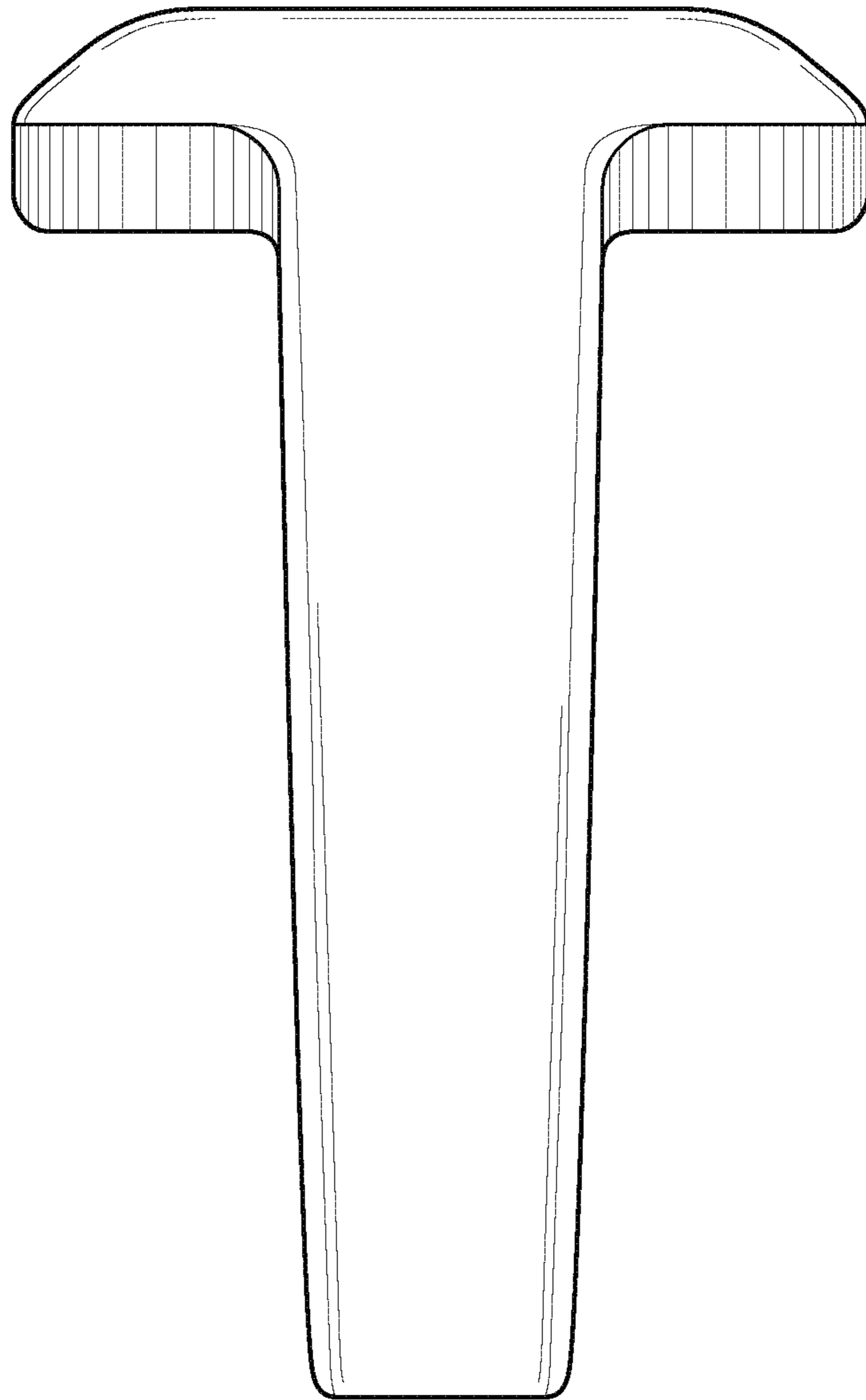


Fig. 9

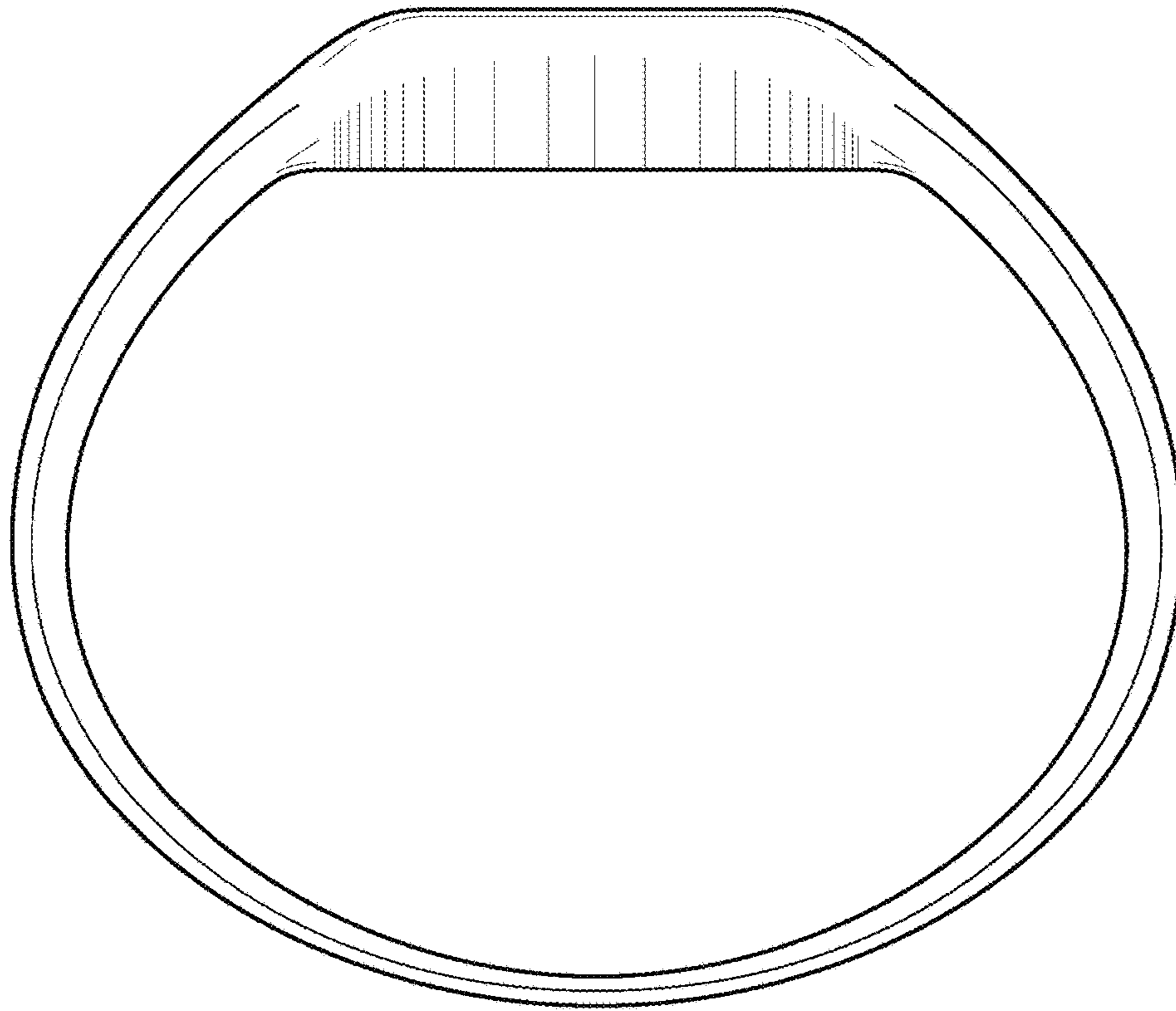


Fig. 10

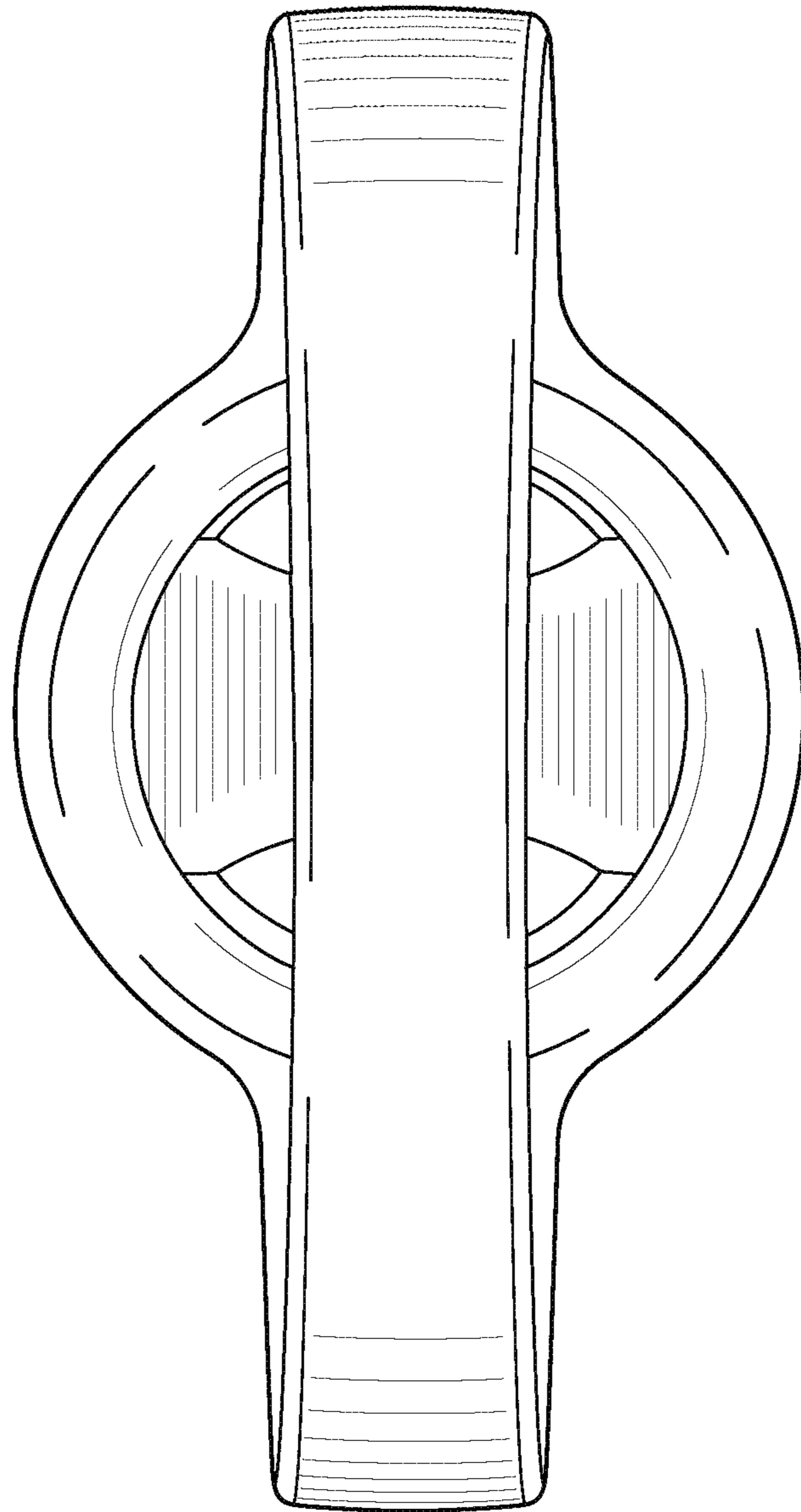


Fig. 11

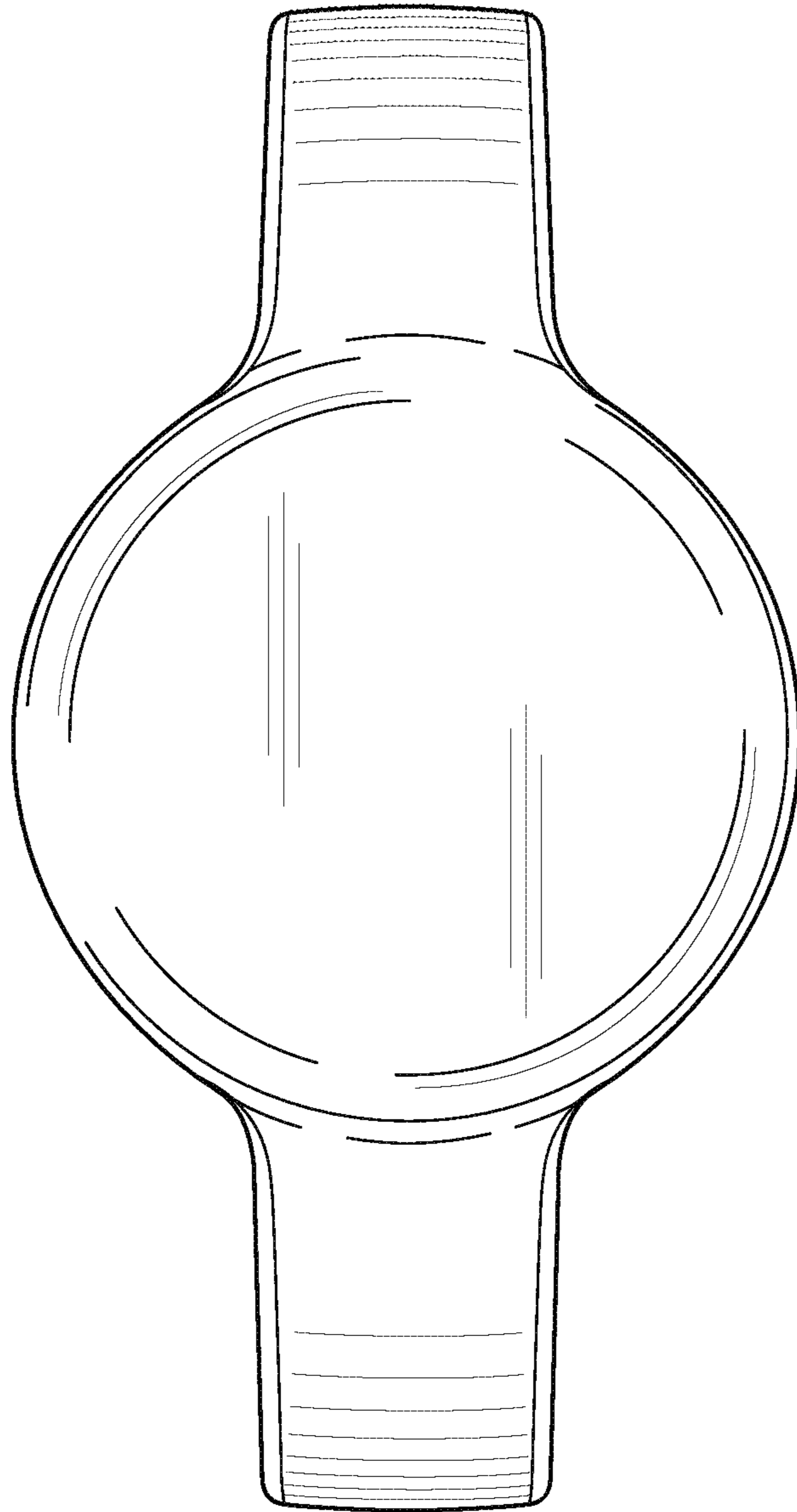


Fig. 12