

US00D784175S

(12) **United States Design Patent**
Covelli et al.

(10) **Patent No.:** **US D784,175 S**
(45) **Date of Patent:** **** Apr. 18, 2017**

(54) **FLOATING LIGHT SIGNAL DEVICE AND PORTIONS THEREOF**

(71) Applicant: **Sirius Signal Co.**, San Diego, CA (US)

(72) Inventors: **Anthony W. Covelli**, La Costa, CA (US); **Robert B. Simons, Jr.**, San Diego, CA (US)

(73) Assignee: **Sirius Signal Co.**

(**) Term: **15 Years**

(21) Appl. No.: **29/557,241**

(22) Filed: **Mar. 7, 2016**

(51) **LOC (10) Cl.** **10-05**

(52) **U.S. Cl.**
USPC **D10/107**

(58) **Field of Classification Search**
USPC D10/107, 114.1
CPC B63B 22/16; B63B 51/04; B63B 51/02;
B63B 45/02; A47G 19/2227; F21L 7/00;
B63C 9/0005
See application file for complete search history.

(56) **References Cited**

U.S. PATENT DOCUMENTS

1,669,055 A * 5/1928 Hogg B63B 22/16
185/30
2,366,929 A * 1/1945 Pfeil B63B 51/04
340/321
2,765,481 A * 10/1956 Manhart B63B 51/04
362/158

3,818,208 A * 6/1974 Kahl A47G 19/2227
340/331
4,464,129 A * 8/1984 Vancheri B63B 45/02
116/107
4,628,420 A * 12/1986 McArthur F21L 7/00
362/208
4,896,620 A * 1/1990 Jones B63B 51/02
114/253
D318,817 S * 8/1991 Sinrod D10/107
D451,044 S * 11/2001 Campman D10/107
D608,232 S * 1/2010 Duran Neira D10/107
7,859,425 B2 * 12/2010 Glasa B63C 9/0005
340/691.1

* cited by examiner

Primary Examiner — George D Kirschbaum
(74) *Attorney, Agent, or Firm* — The Belles Group, P.C.

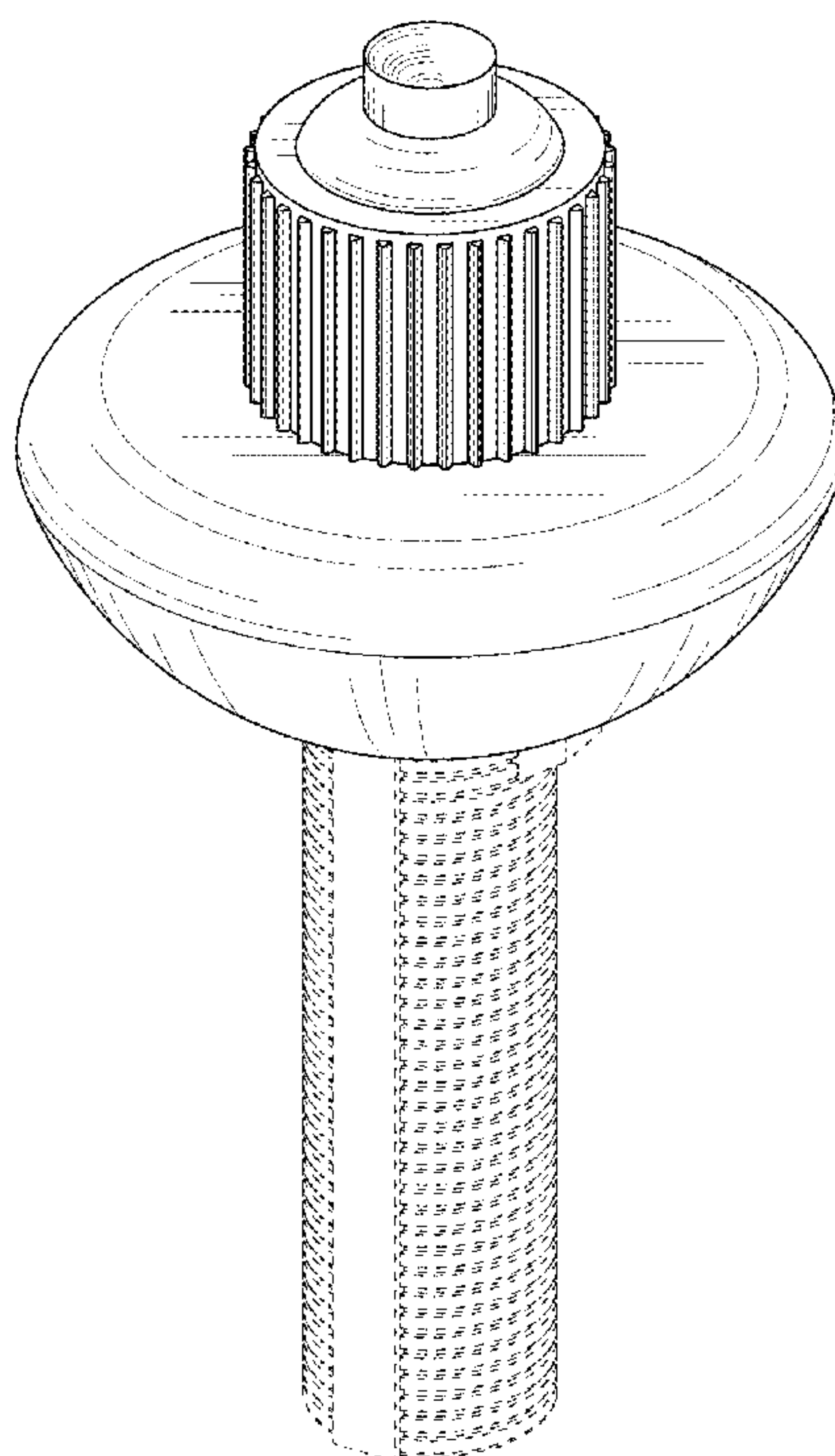
(57) **CLAIM**

The ornamental design for a floating light signal device and portions thereof, as shown and described.

DESCRIPTION

FIG. 1 is a top perspective view of a floating light signal device;
FIG. 2 is a bottom perspective view thereof;
FIG. 3 is a front plan view thereof;
FIG. 4 is a rear plan view thereof;
FIG. 5 is a right-side plan view thereof, the left-side plan view being a mirror-image thereof;
FIG. 6 is a top plan view thereof; and,
FIG. 7 is a bottom plan view thereof.
The portions of the drawings shown in broken lines are intended for environmental purposes only and intended to form no part of the claimed design.

1 Claim, 6 Drawing Sheets



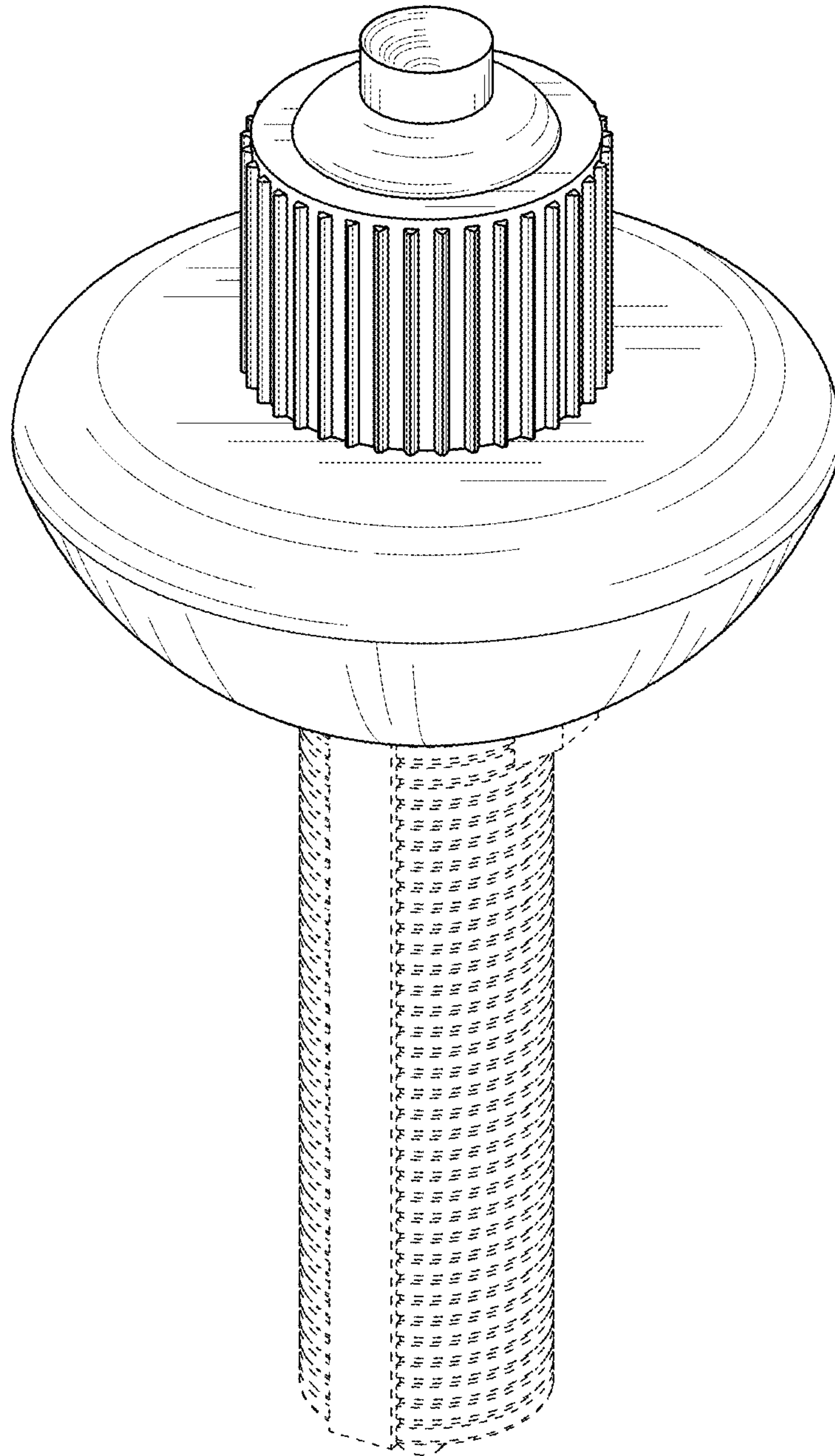


FIG. 1

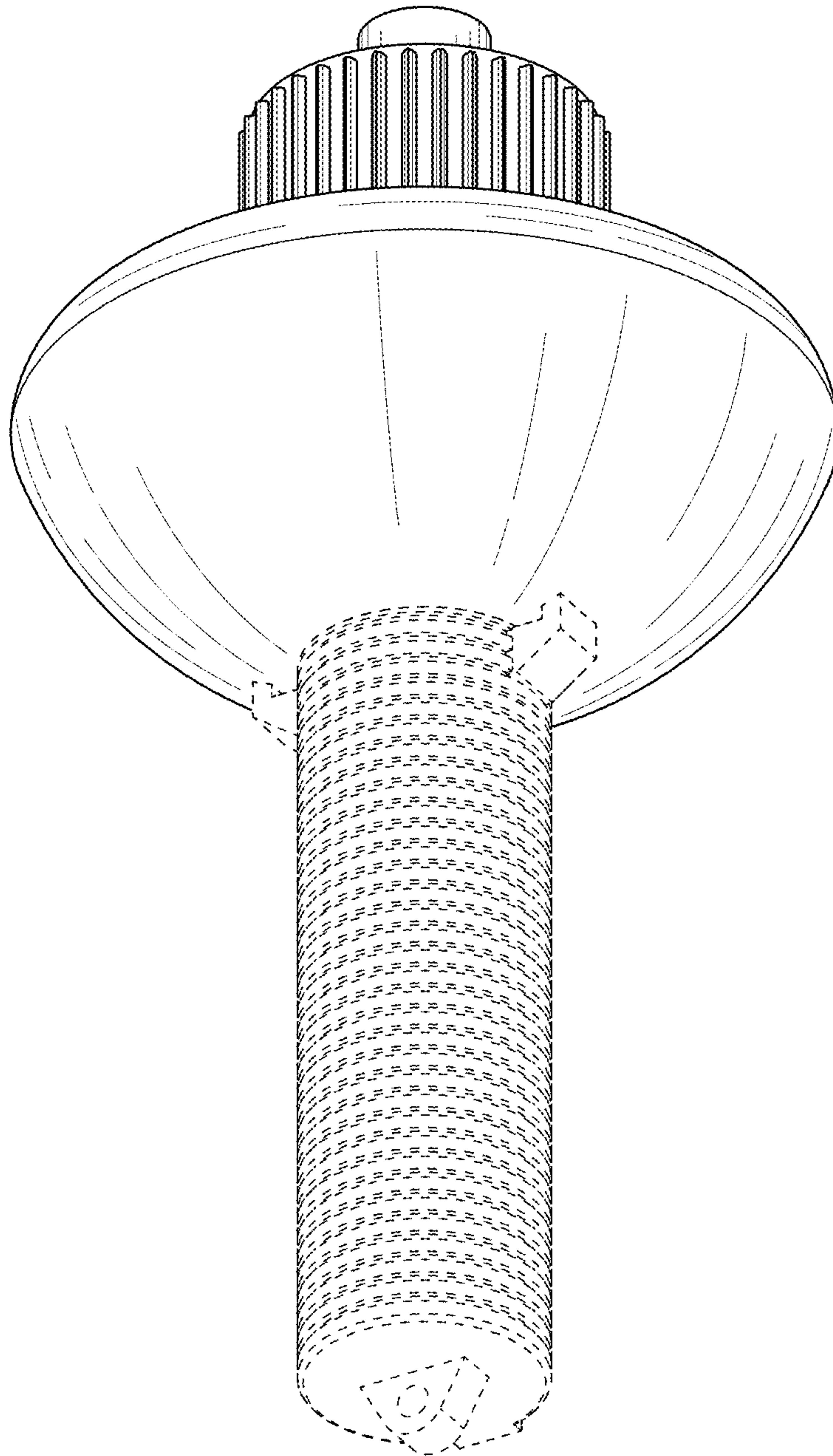


FIG. 2

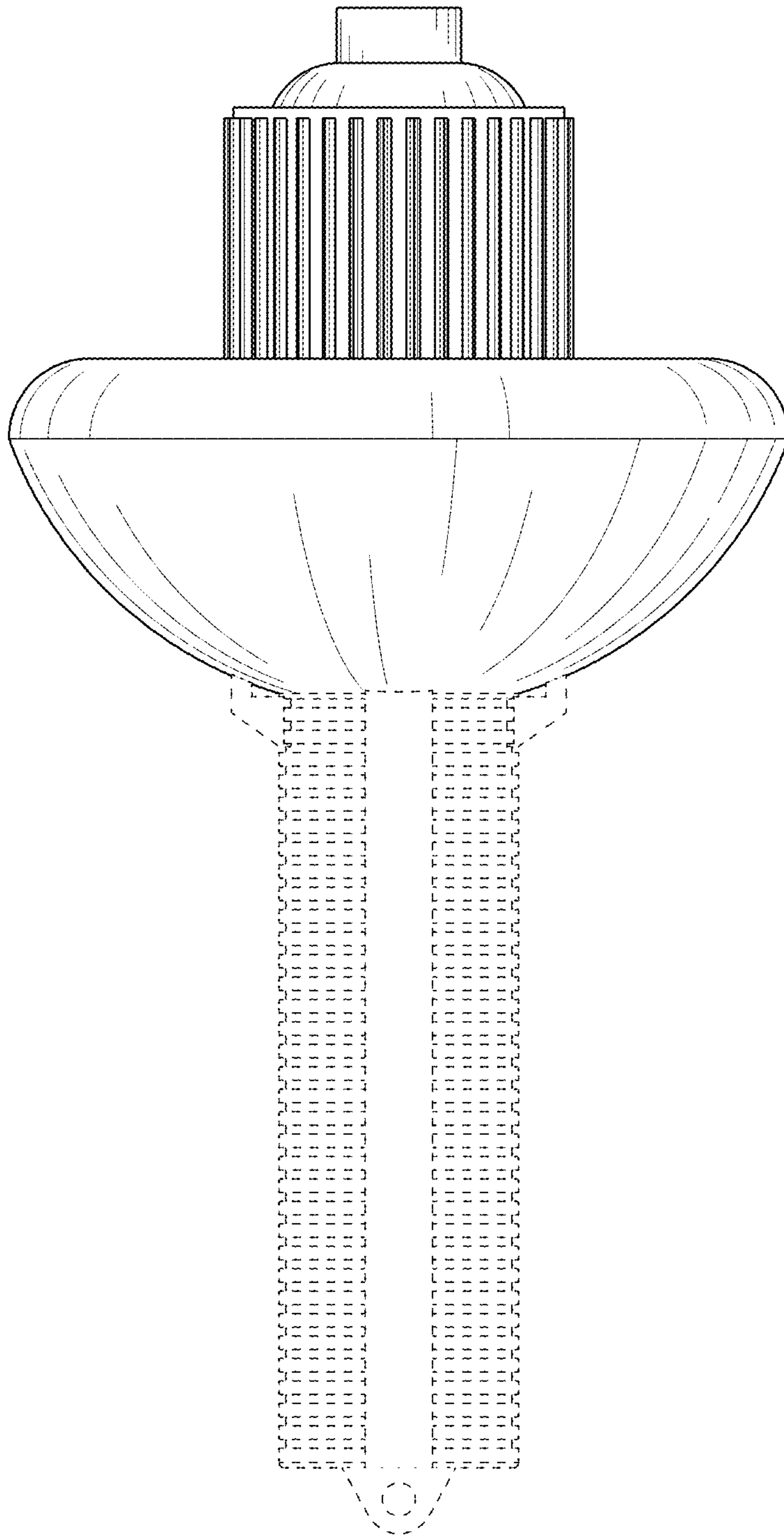


FIG. 3

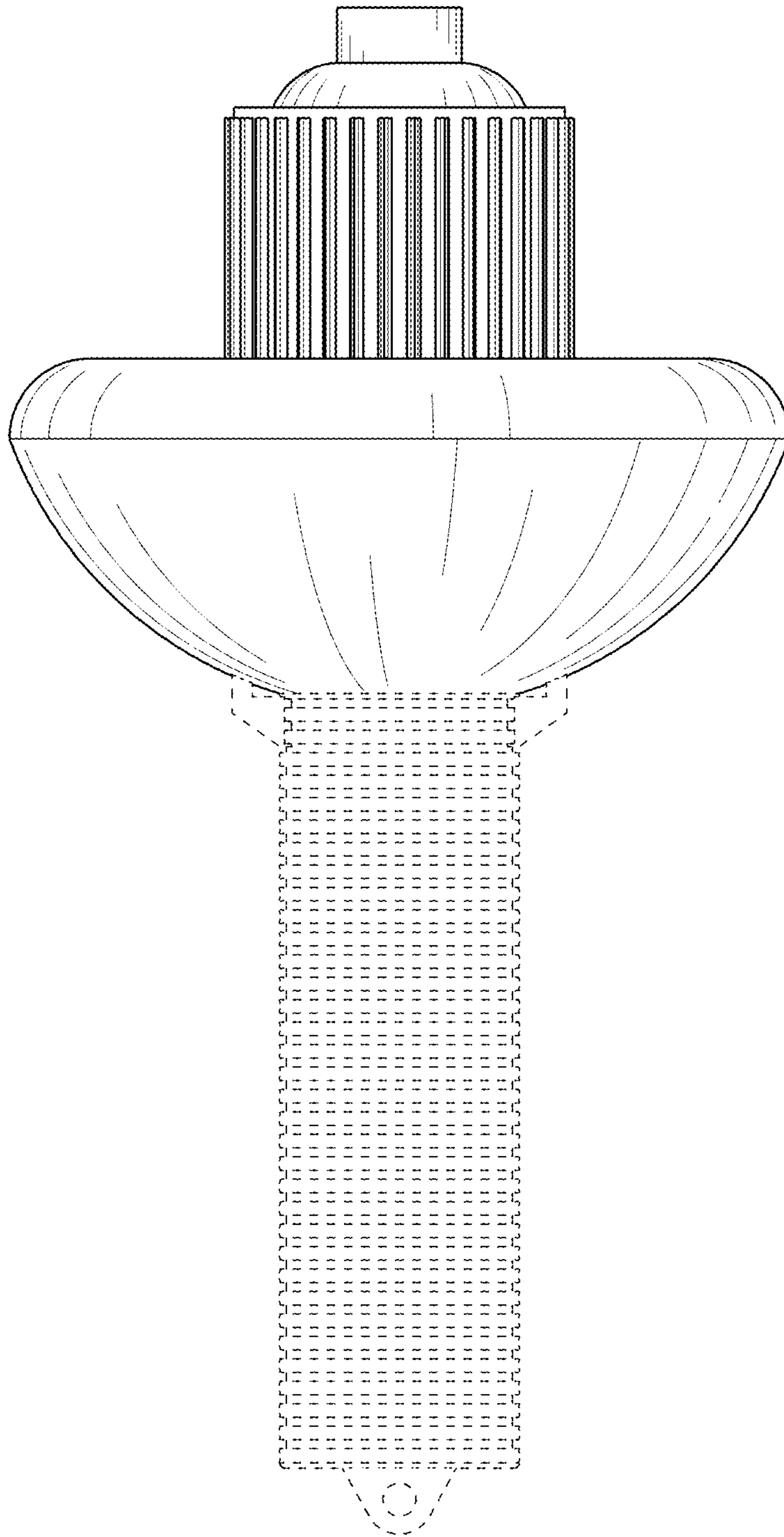


FIG. 4

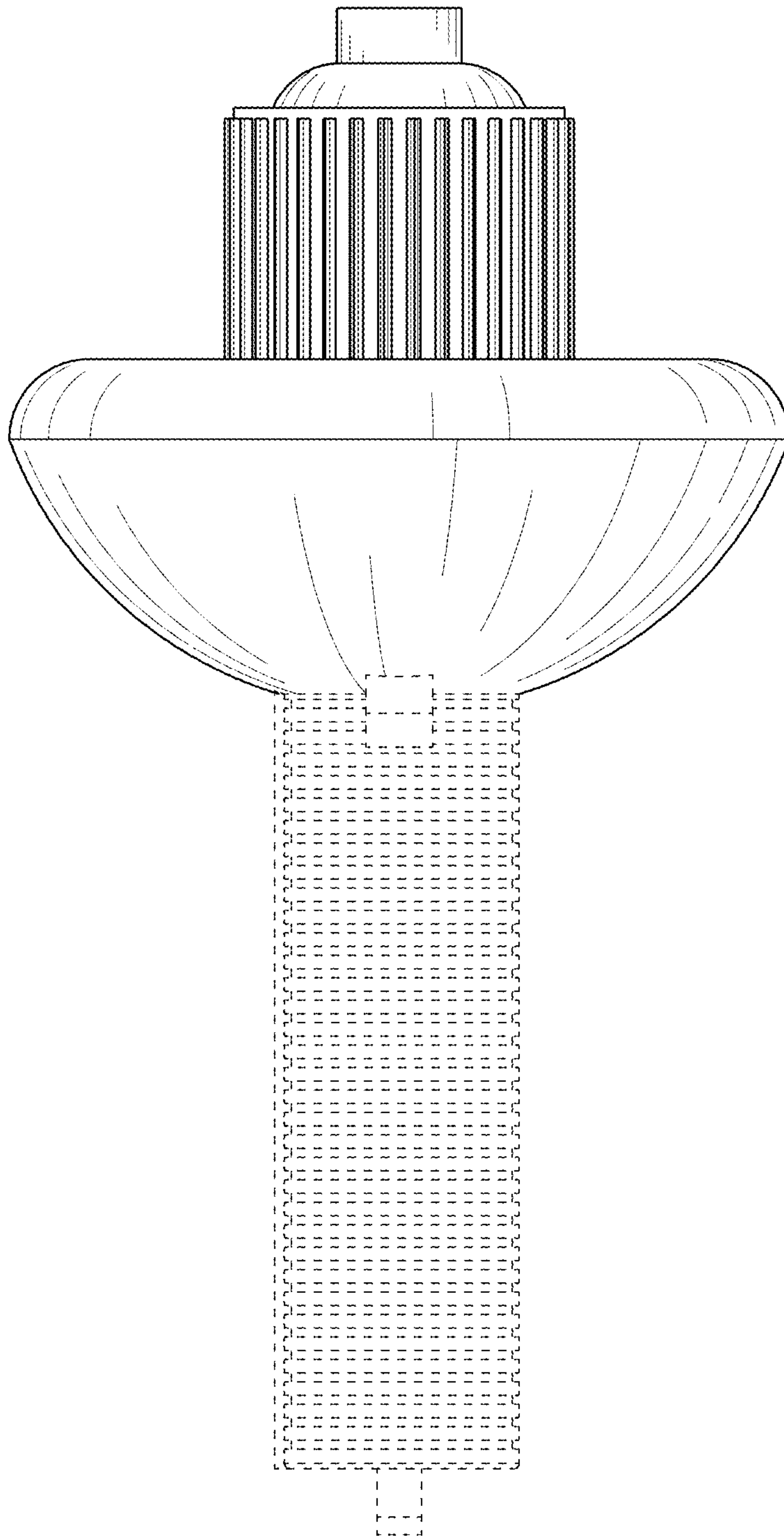


FIG. 5

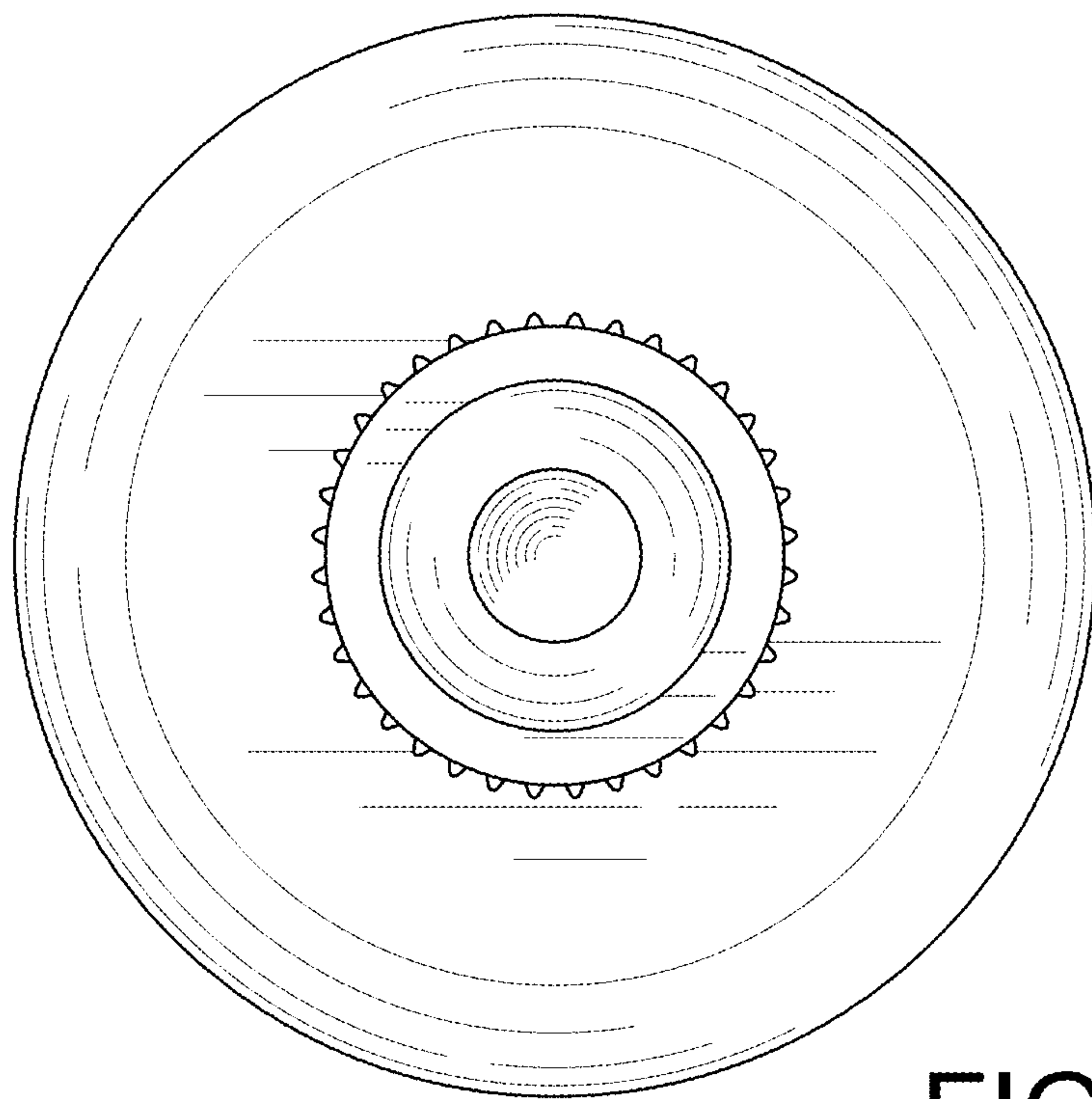


FIG. 6

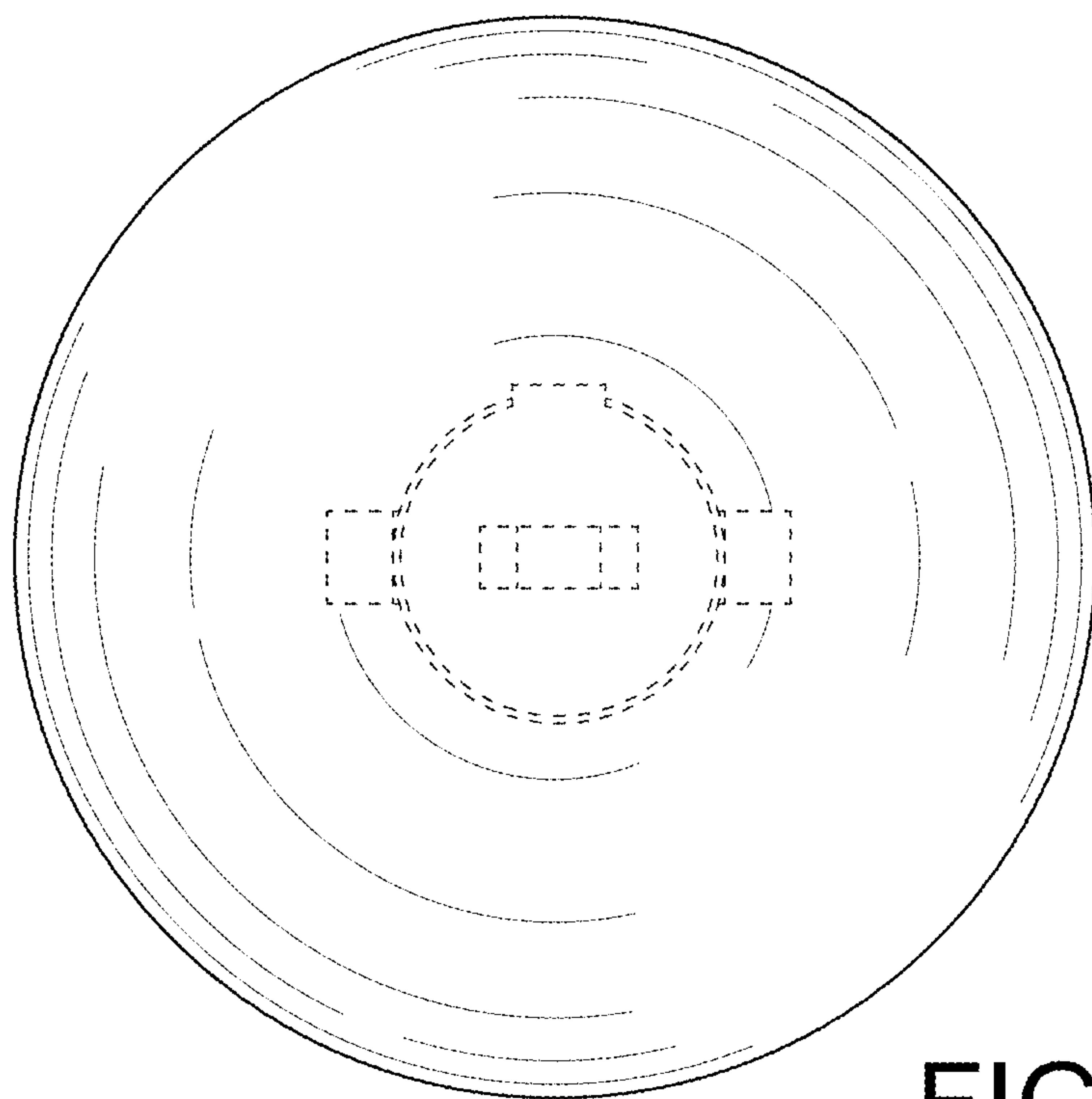


FIG. 7