



US00D784174S

(12) **United States Design Patent**  
**Corrigan et al.**

(10) **Patent No.:** **US D784,174 S**  
(45) **Date of Patent:** **\*\* Apr. 18, 2017**

(54) **SENSOR STAND**

(71) Applicant: **Fluke Corporation**, Everett, WA (US)

(72) Inventors: **Christopher Corrigan**, Seattle, WA (US); **Matthew Bannister**, Lake Stevens, WA (US)

(73) Assignee: **Fluke Corporation**, Everett, WA (US)

(\*\*) Term: **15 Years**

(21) Appl. No.: **29/544,912**

(22) Filed: **Nov. 6, 2015**

(51) **LOC (10) Cl.** ..... **10-04**

(52) **U.S. Cl.**  
USPC ..... **D10/103**; D8/349

(58) **Field of Classification Search**

USPC ..... D8/354-366, 373, 380, 381; D10/103  
CPC ..... F16M 11/00; F16M 11/02; F16M 11/04;  
F16M 11/041; F16M 11/043; F16M 11/045;  
F16M 11/046; F16M 11/048; F16M 11/06;  
F16M 11/08; F16M 11/10; F16M 11/105;  
F16M 11/12; F16M 11/121; F16M 11/123;  
F16M 11/125; F16M 11/126

See application file for complete search history.

(56) **References Cited**

**U.S. PATENT DOCUMENTS**

7,717,384 B2\* 5/2010 Kim ..... F16M 11/04  
248/284.1  
9,103,487 B2\* 8/2015 Hale ..... F16M 13/022

\* cited by examiner

*Primary Examiner* — Antoine D Davis

(74) *Attorney, Agent, or Firm* — Seed IP Law Group LLP

(57) **CLAIM**

The ornamental design for a sensor stand, as shown and described.

**DESCRIPTION**

FIG. 1 is a top front right perspective view of a sensor stand showing our new design.

FIG. 2 is a top plan view thereof.

FIG. 3 is a front elevational view thereof.

FIG. 4 is a right side elevational view thereof, the left side elevational view being a mirror image of the right side elevational view.

FIG. 5 is a rear elevational view thereof.

FIG. 6 is a bottom plan view thereof.

FIG. 7 is a top front right perspective view of the sensor stand shown in FIG. 1, with a center portion thereof shown rotated to an upright position.

FIG. 8 is a top plan view thereof.

FIG. 9 is a front elevational view thereof.

FIG. 10 is a right side elevational view thereof, the left side elevational view being a mirror image of the right side elevational view.

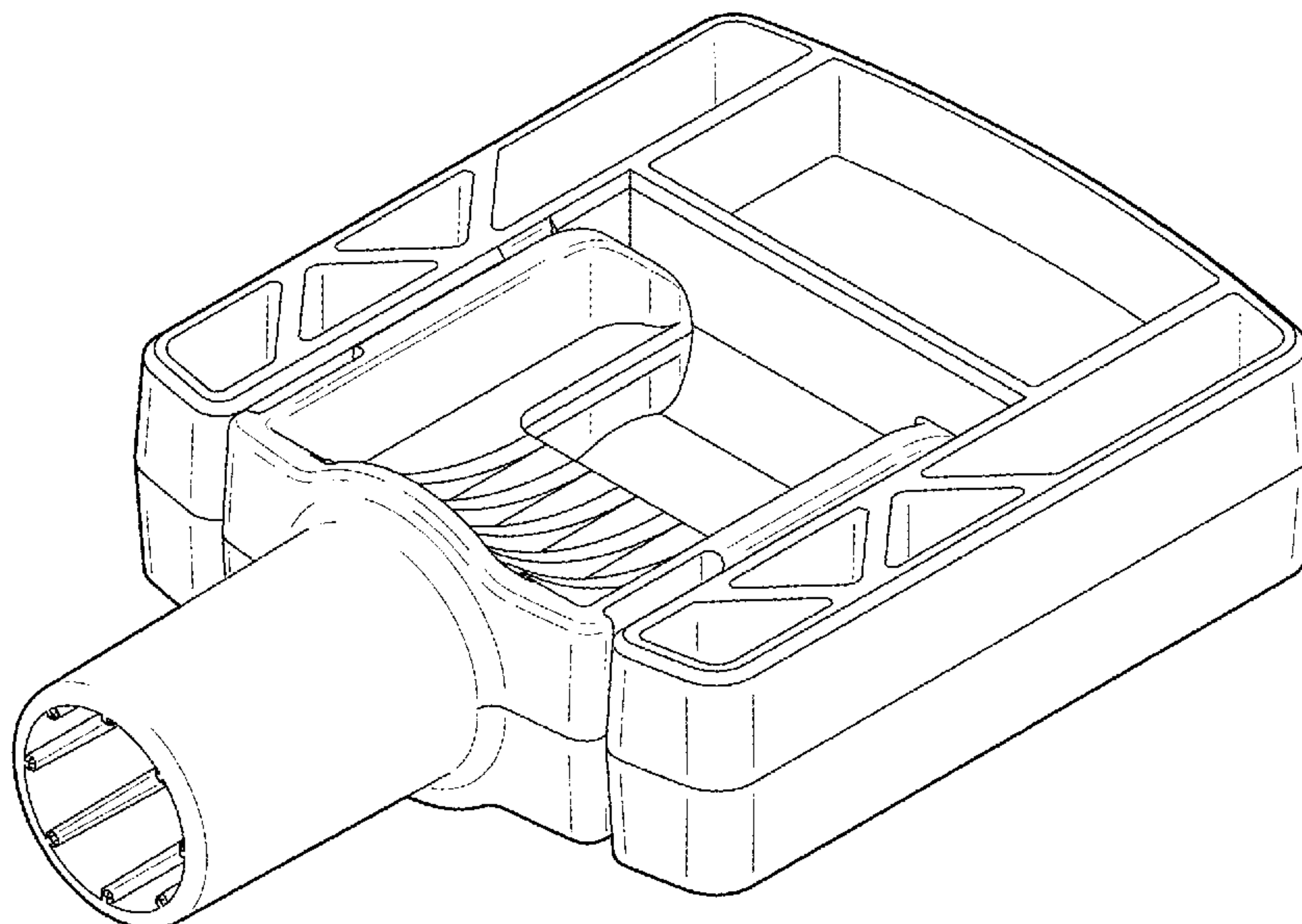
FIG. 11 is a rear elevational view thereof.

FIG. 12 is a bottom plan view thereof; and,

FIG. 13 is a top front right perspective view of another embodiment of the sensor stand.

The article is shown in FIG. 13 with a symbolic break in its length. The appearance of any portion of the article between the break lines forms no part of the claimed design.

**1 Claim, 11 Drawing Sheets**



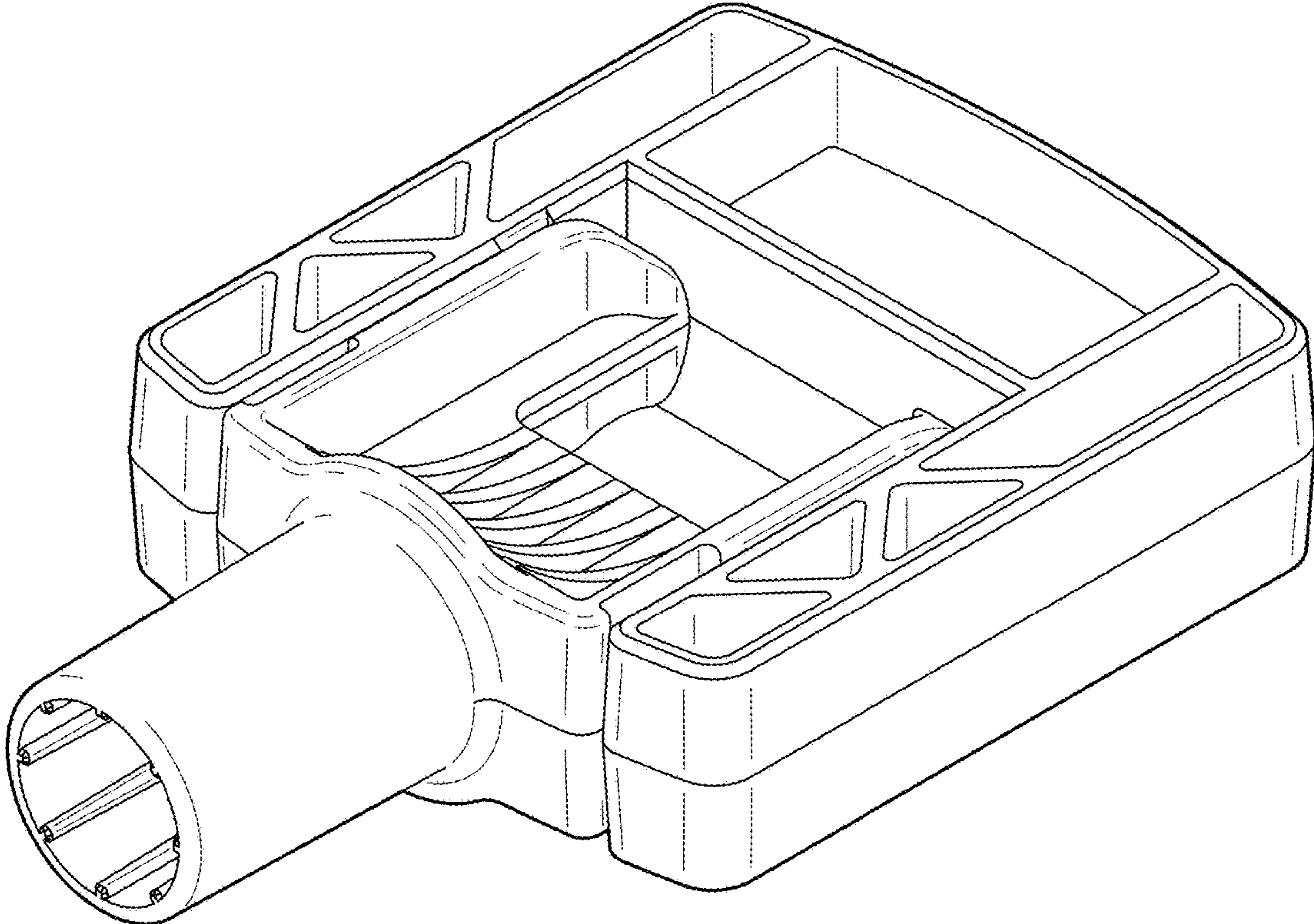


FIG.1

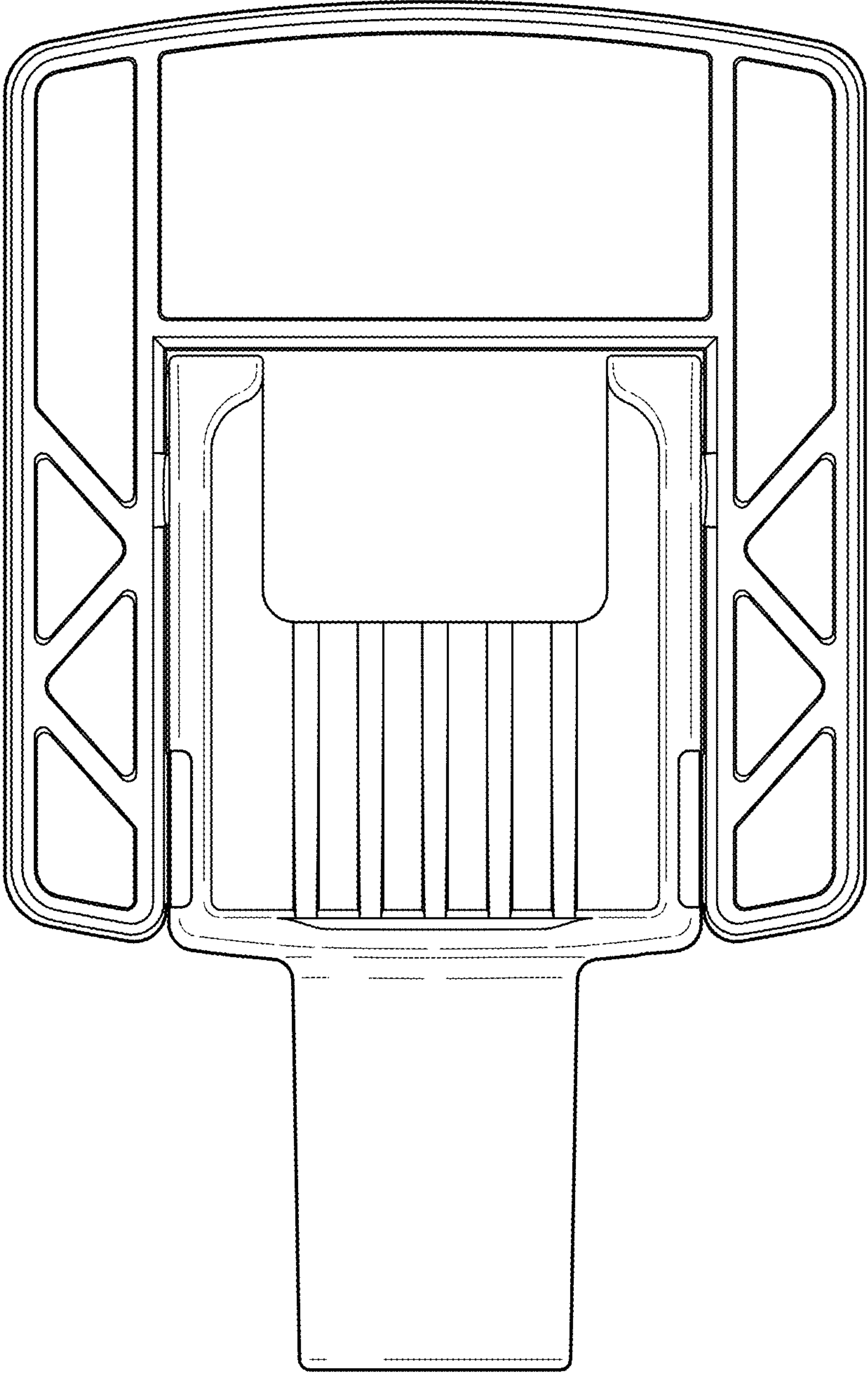


FIG.2

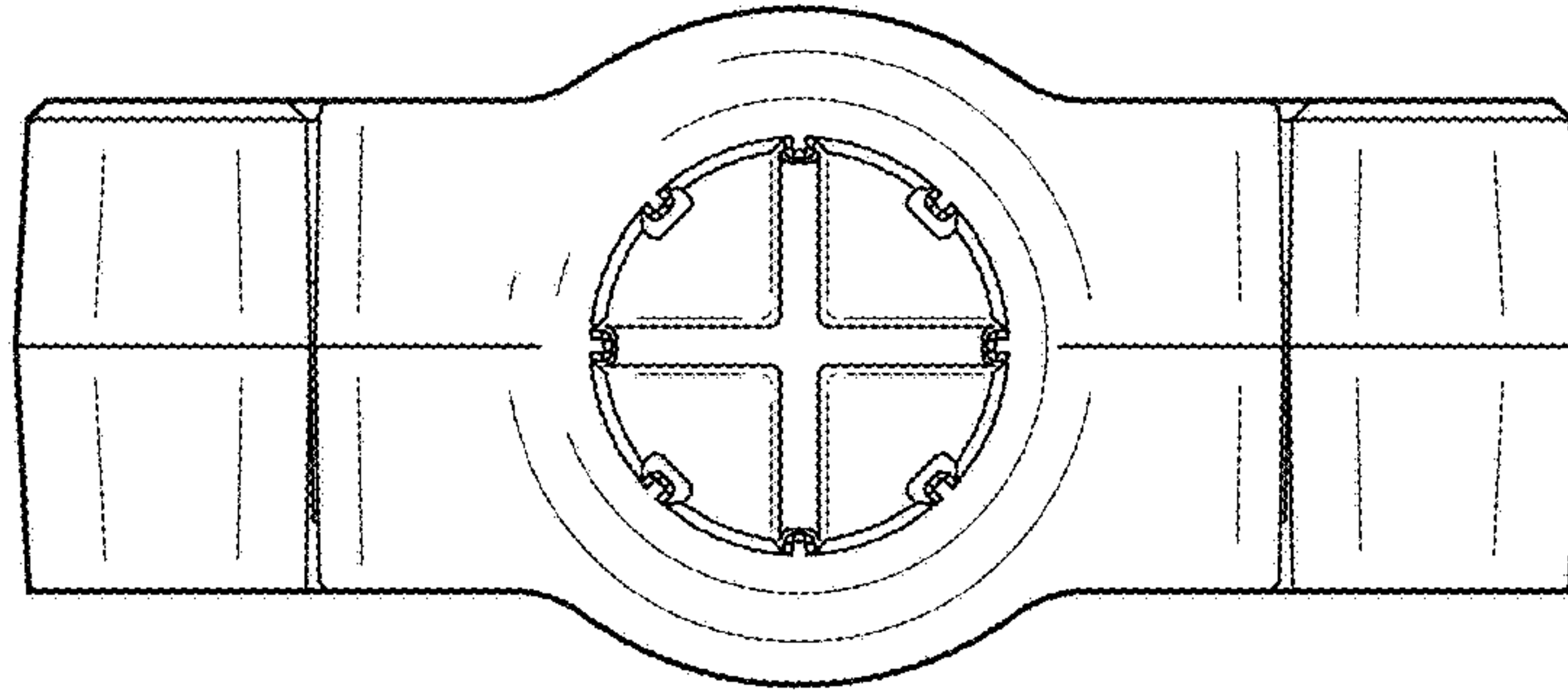


FIG.3

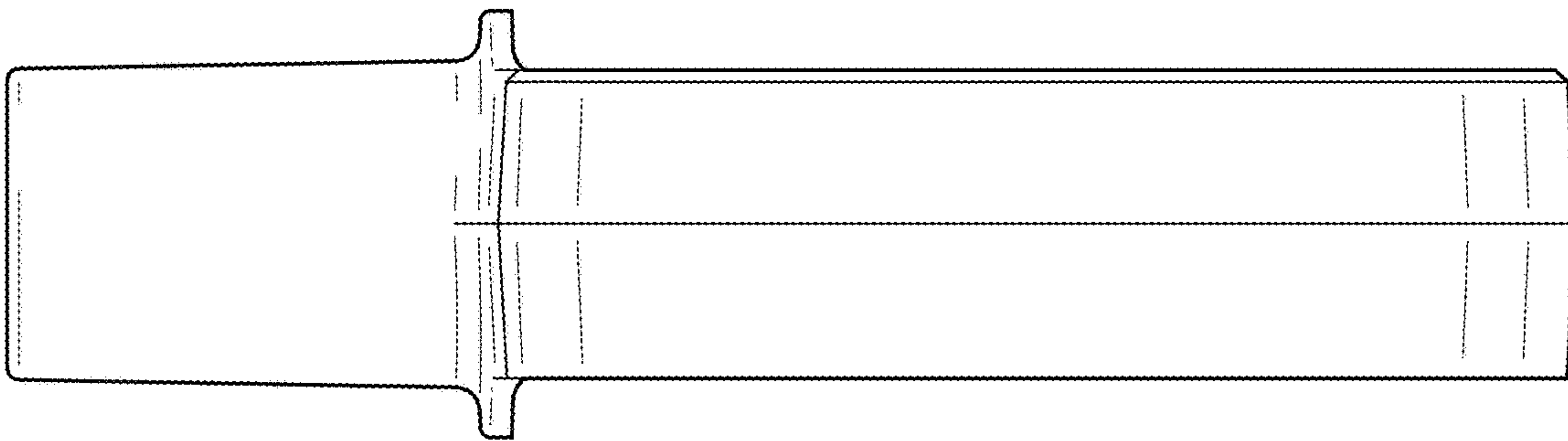


FIG.4

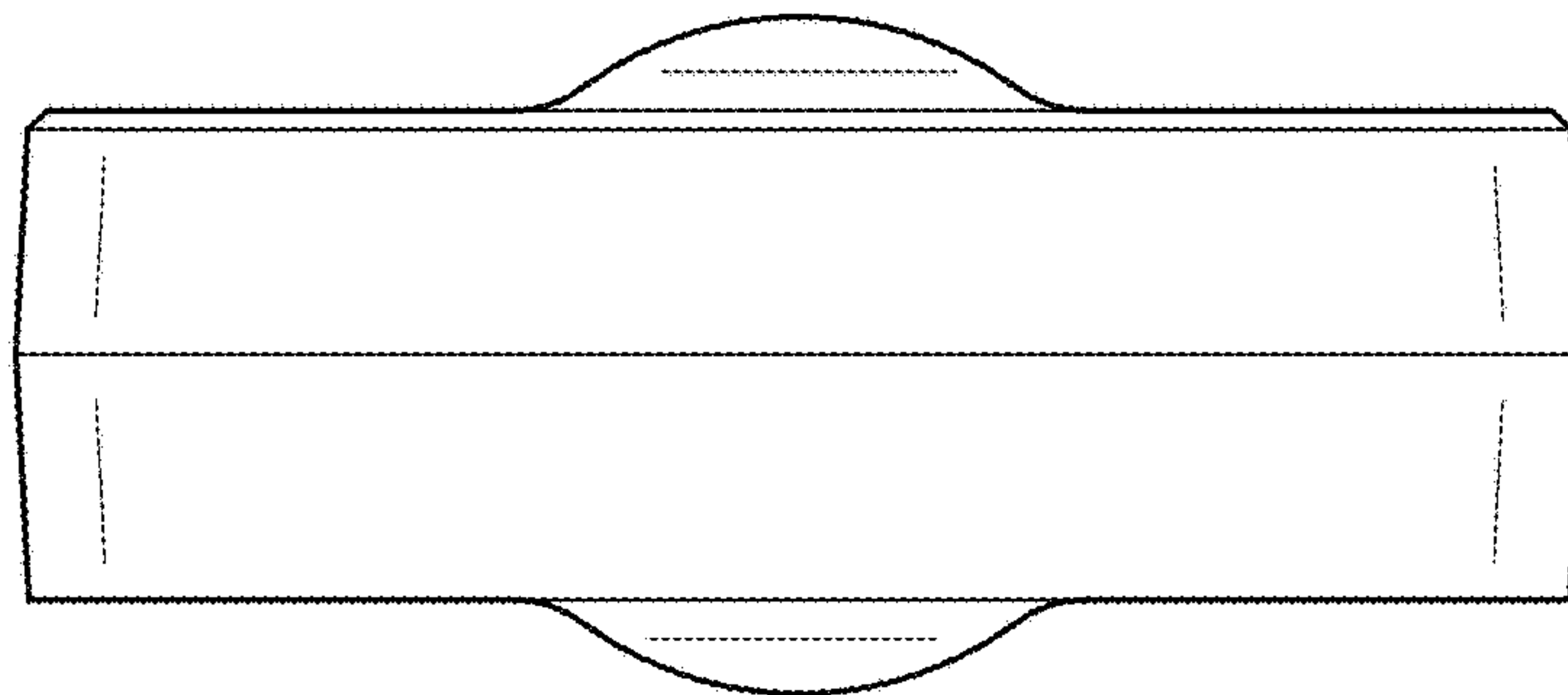


FIG.5



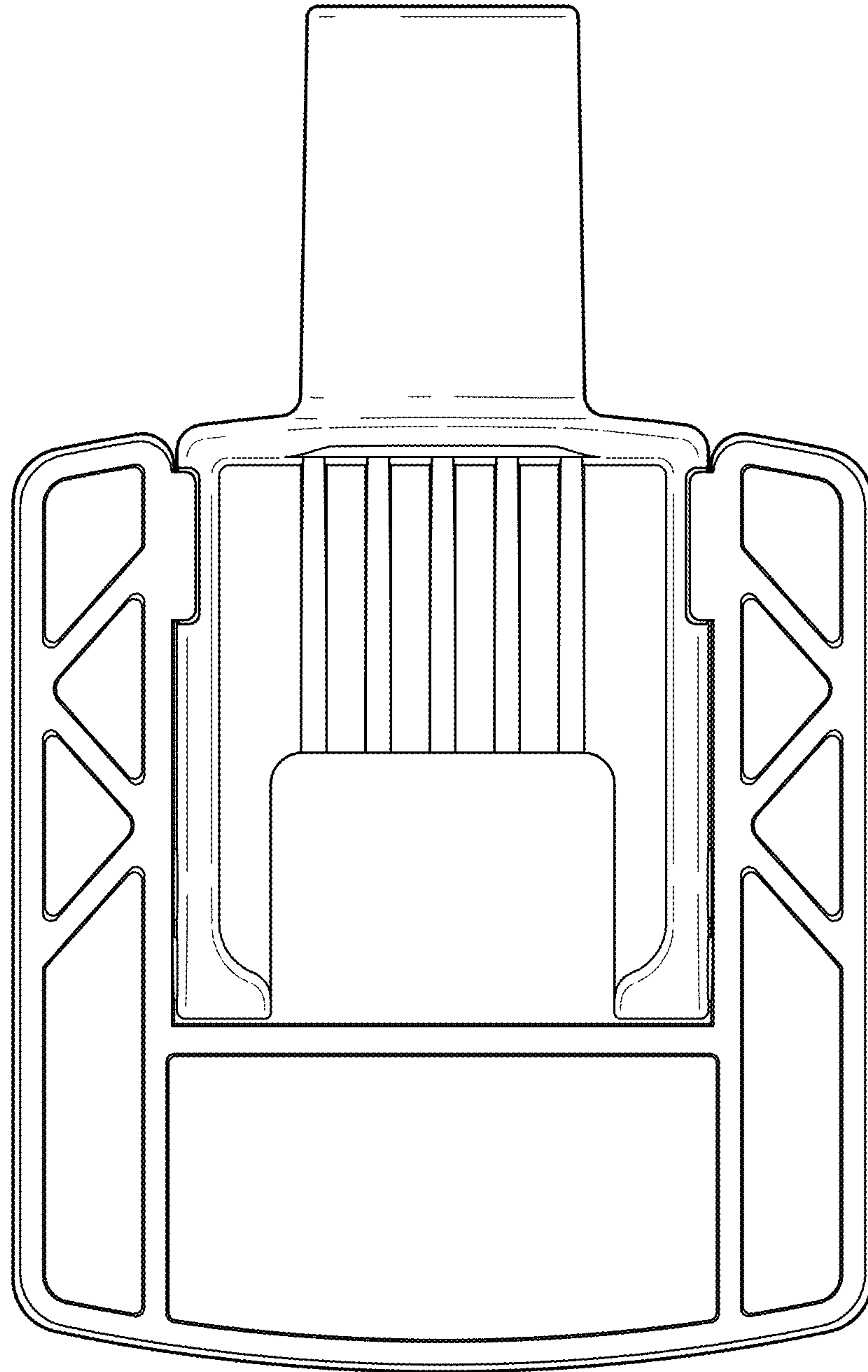


FIG.6

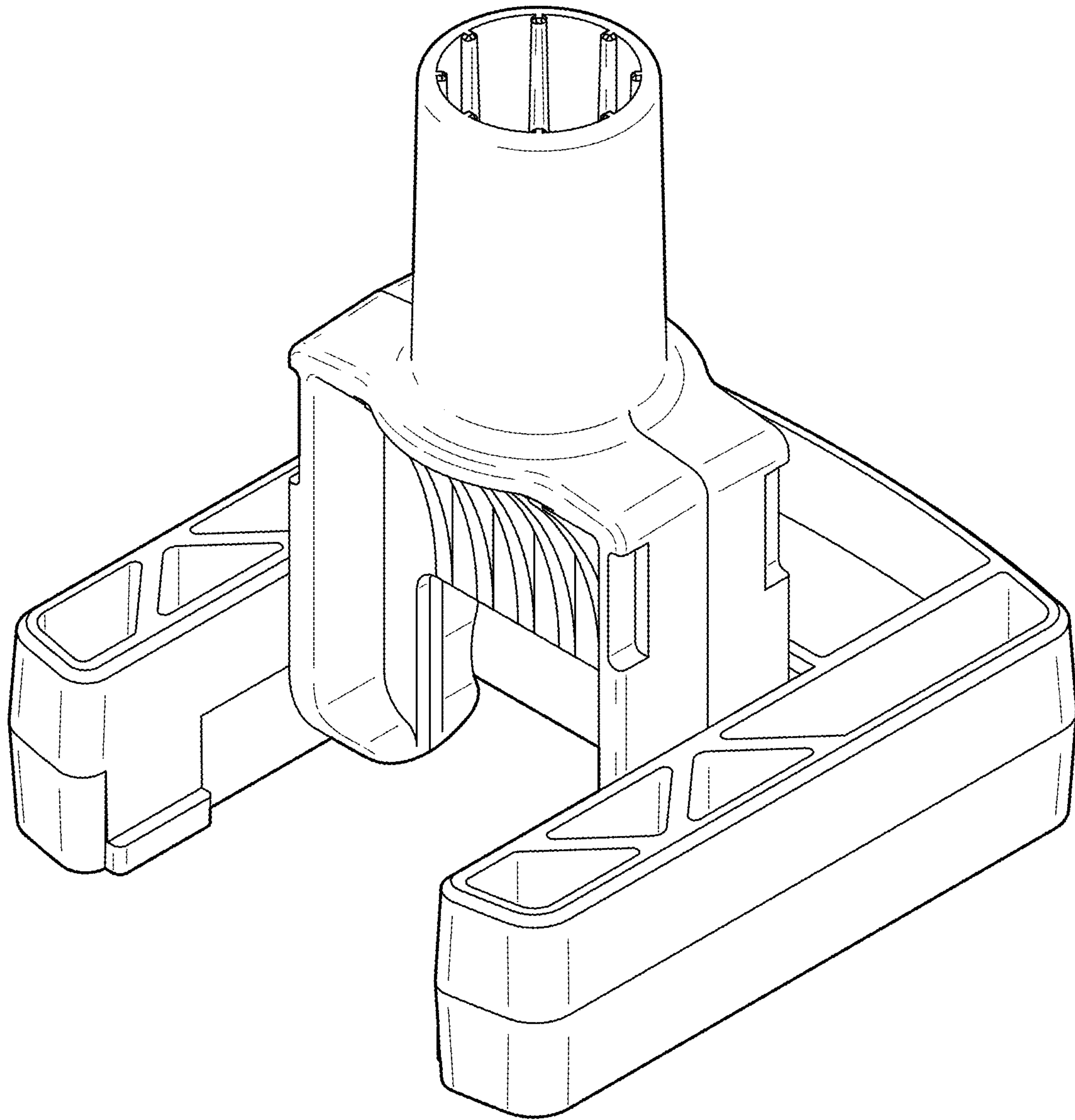


FIG.7

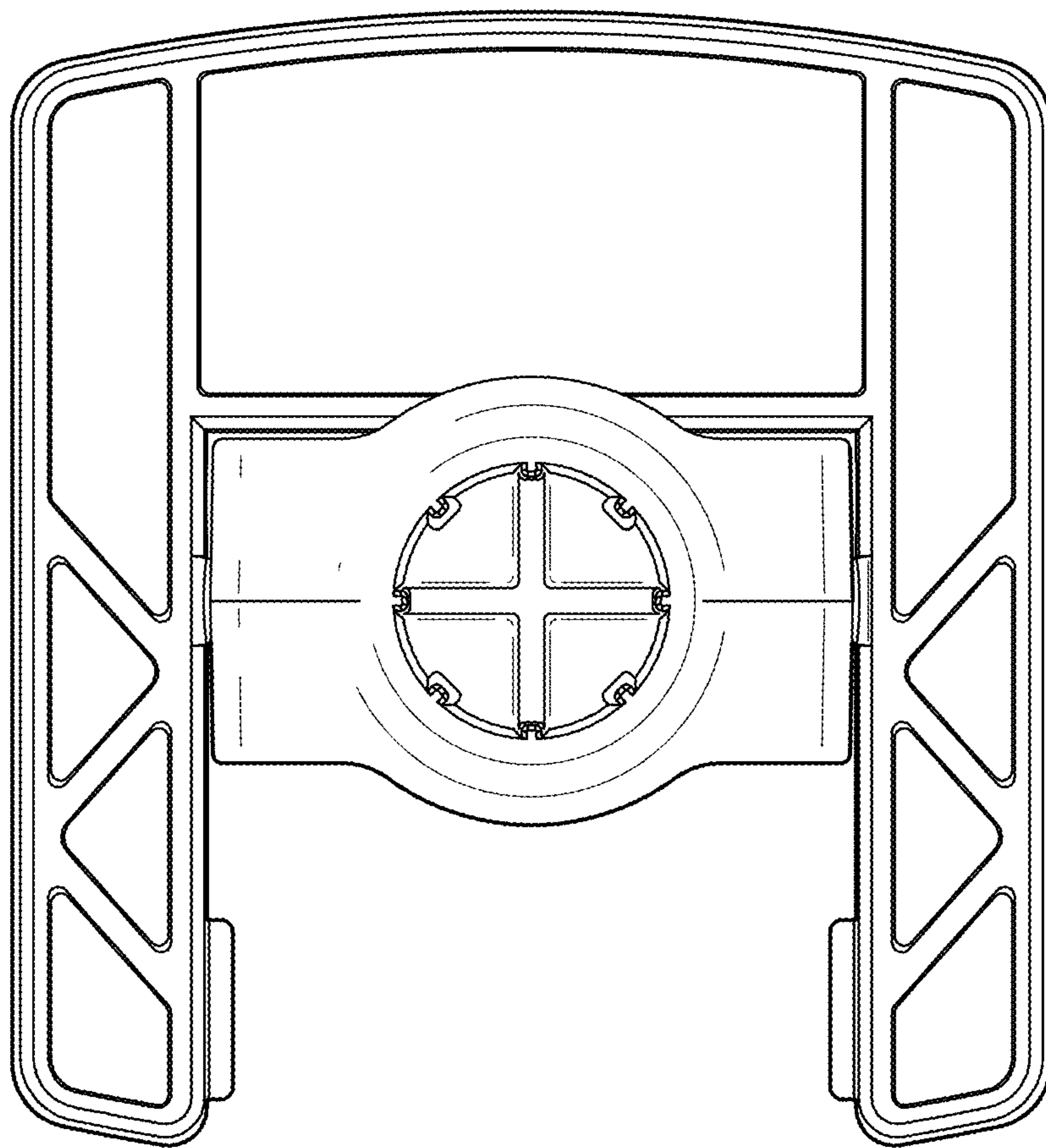


FIG.8

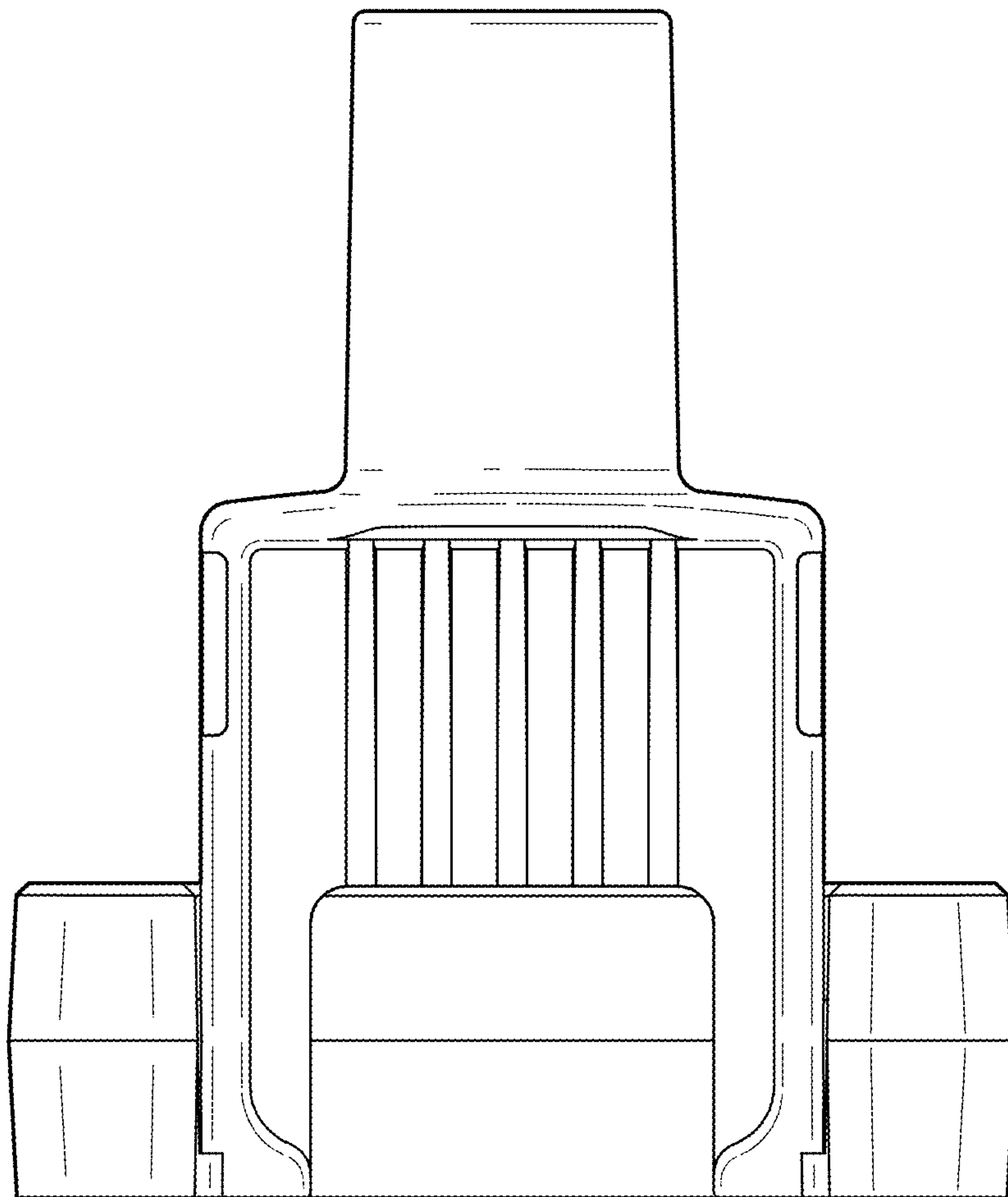


FIG.9



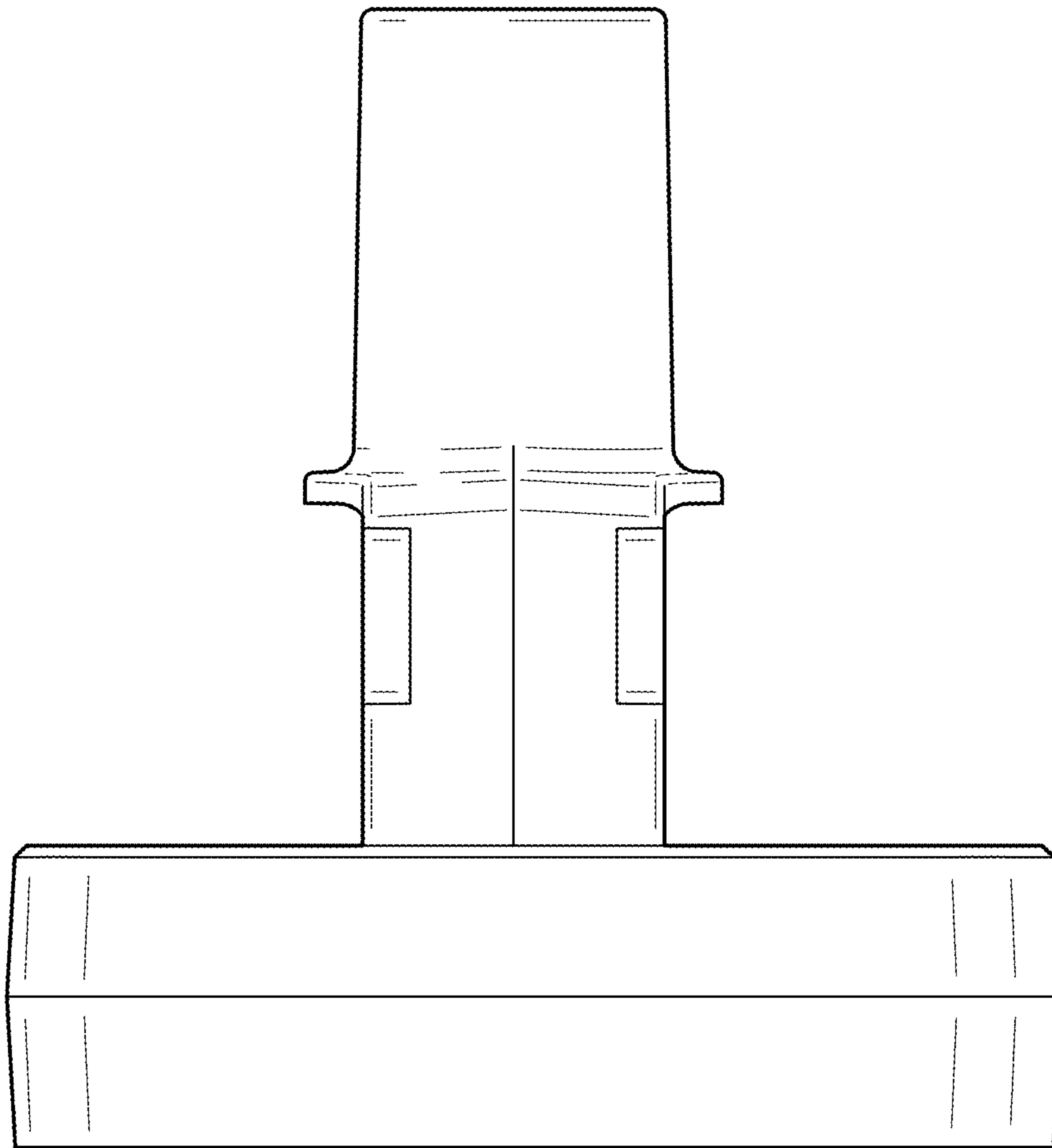


FIG. 10

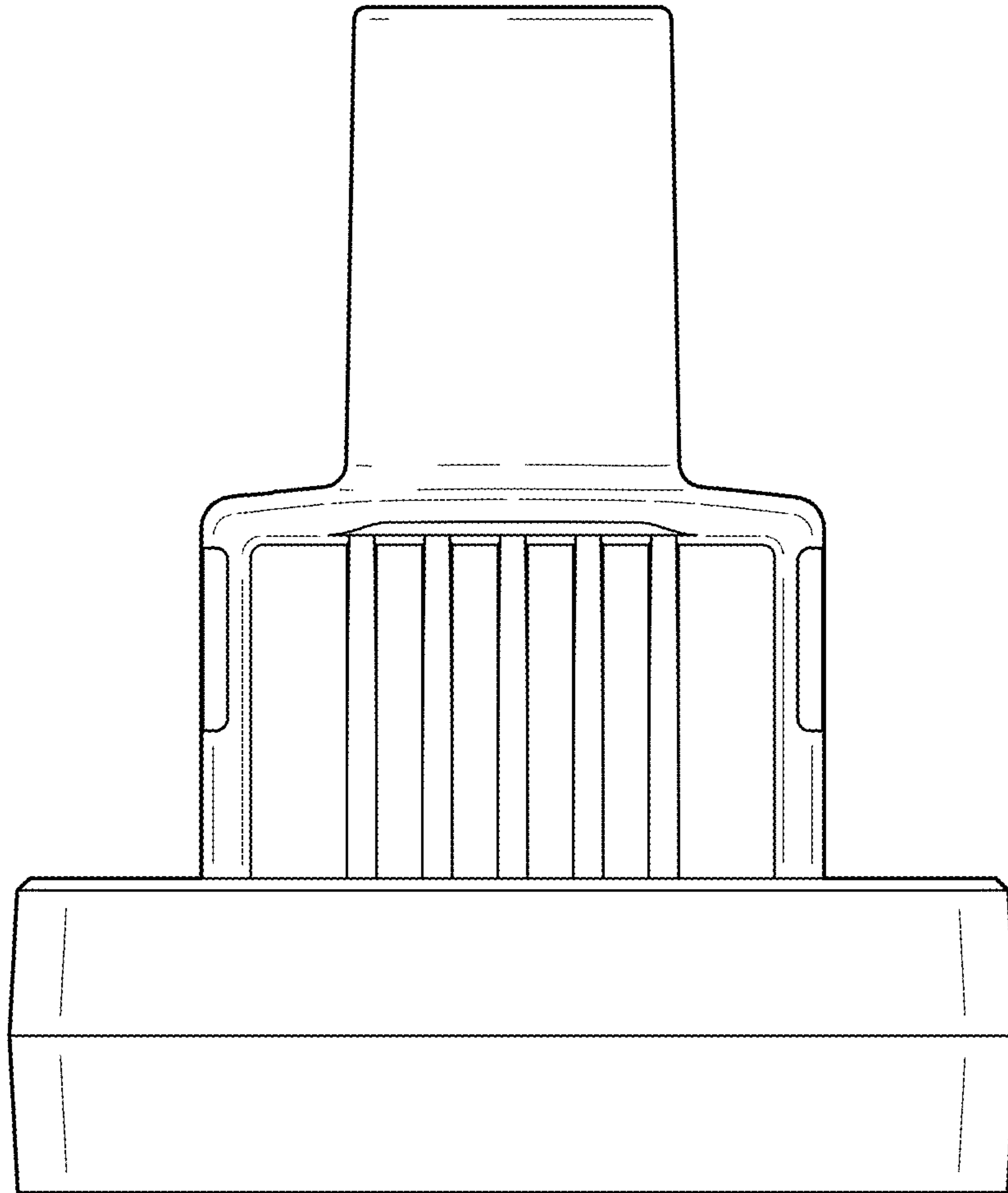


FIG.11

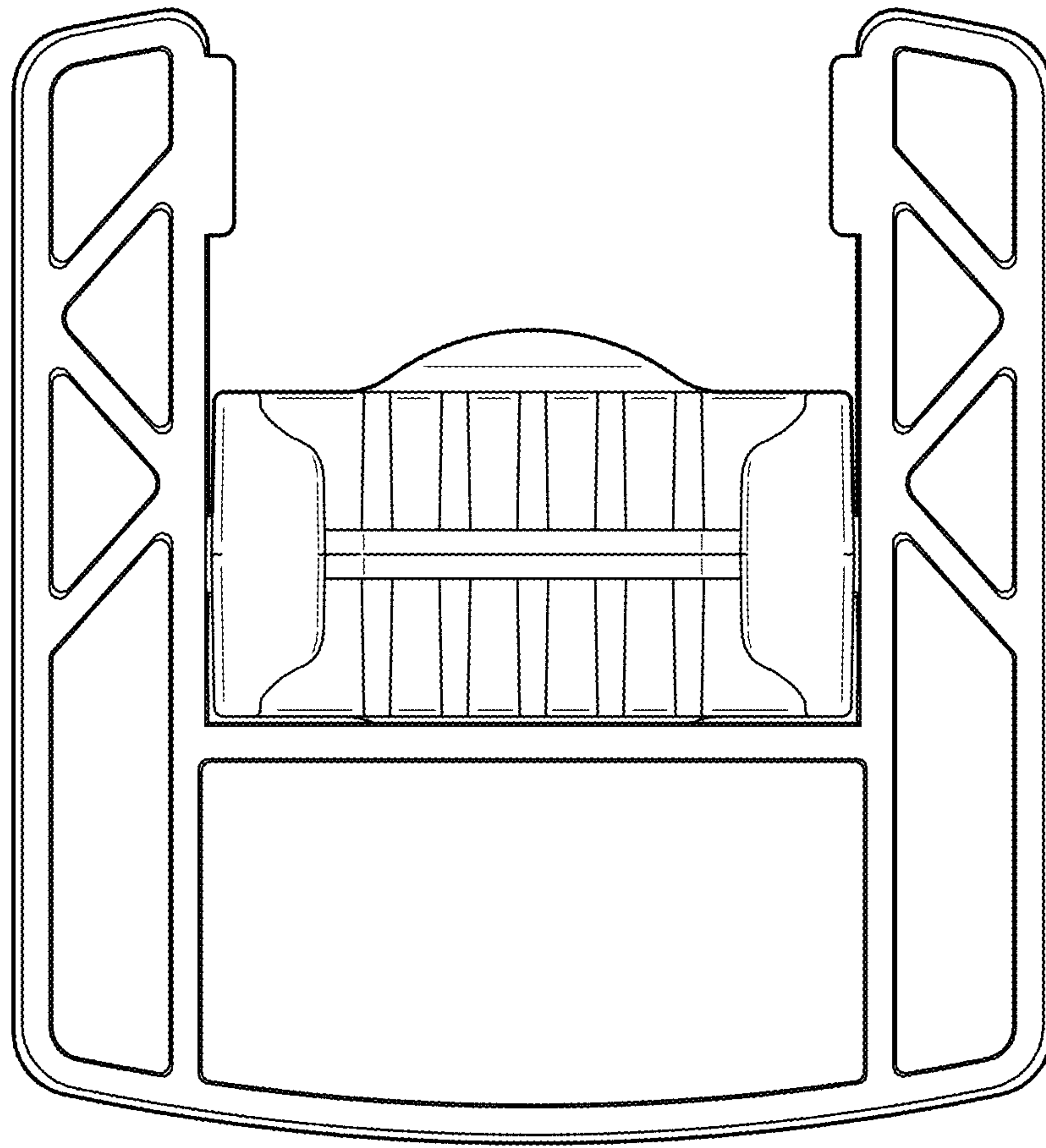


FIG.12

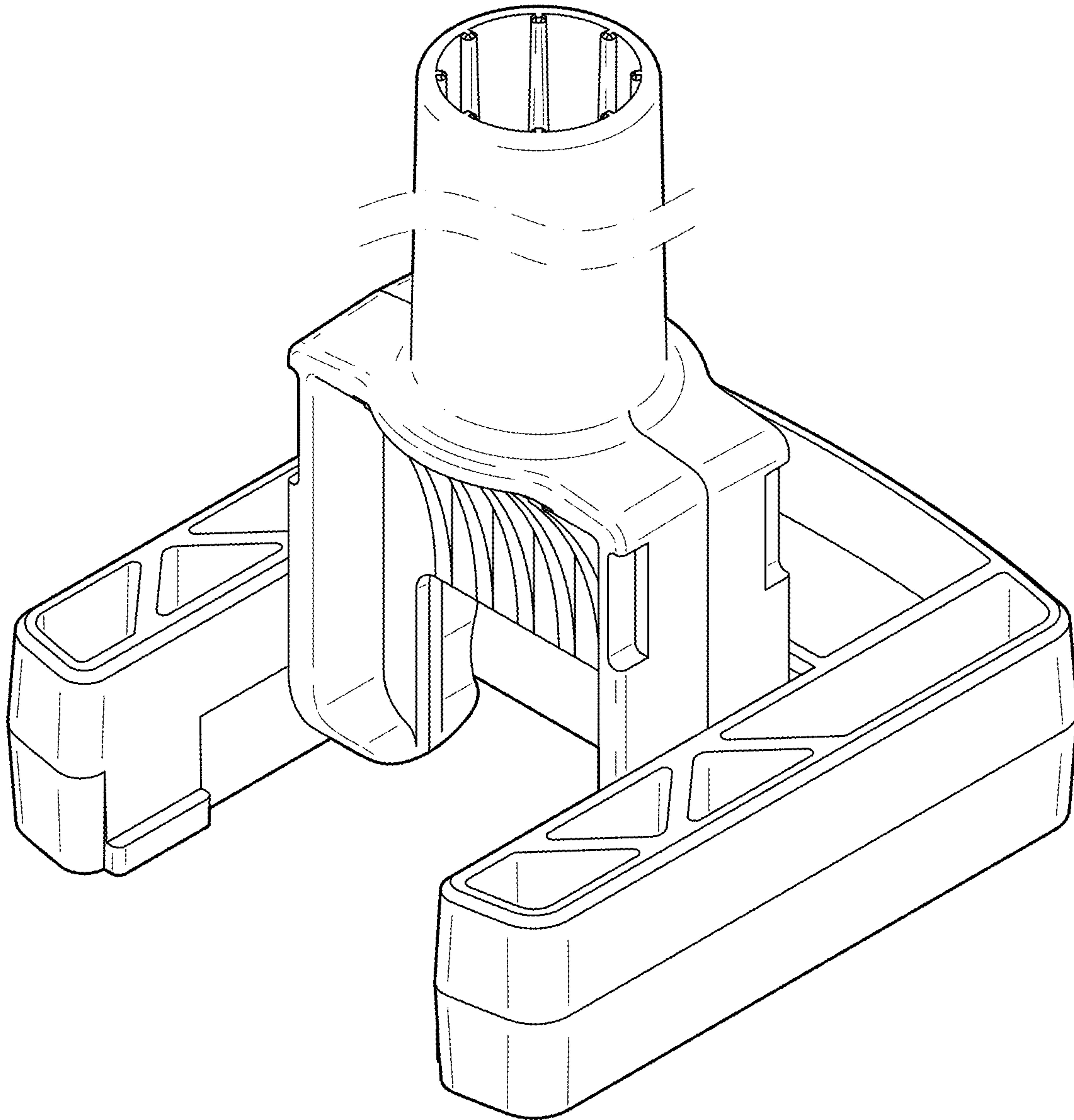


FIG.13