



US00D784173S

(12) **United States Design Patent**
Briganti

(10) **Patent No.:** **US D784,173 S**
(45) **Date of Patent:** **** Apr. 18, 2017**

- (54) **FOOT-MOUNTABLE SENSOR AND FEEDBACK DEVICE**
- (71) Applicant: **JANB Holdings, LLC**, San Clemente, CA (US)
- (72) Inventor: **Joseph A. Briganti**, San Clemente, CA (US)
- (73) Assignee: **JANB Holdings, LLC**, San Clemente, CA (US)

6,808,462	B2	10/2004	Snyder et al.
6,925,851	B2	8/2005	Reinbold et al.
7,404,263	B2	7/2008	Guzman
D610,476	S	2/2010	Daniel
8,221,291	B1	7/2012	Kantarevic
8,499,476	B2	8/2013	Berner, Jr. et al.
D710,220	S	8/2014	Daniel
D715,664	S	10/2014	Edgett et al.
9,205,316	B2	12/2015	Fishman
D763,106	S *	8/2016	Nuzzo D10/65
D765,525	S *	9/2016	Huang D10/70
2006/0047447	A1	3/2006	Brady et al.

- (**) Term: **15 Years**
- (21) Appl. No.: **29/567,042**
- (22) Filed: **Jun. 4, 2016**

Related U.S. Application Data

- (62) Division of application No. 29/527,043, filed on May 14, 2015, now Pat. No. Des. 761,677.
- (51) **LOC (10) Cl.** **10-04**
- (52) **U.S. Cl.**
USPC **D10/96**
- (58) **Field of Classification Search**
USPC D10/70, 96
CPC ... A63B 69/002; A63B 69/0028; A63B 69/20; A63B 69/203; A63B 69/208; A63B 69/24; A63B 69/26; A63B 69/32; A63B 69/325; A63B 2220/50; A63B 2220/51; A63B 2220/52; A63B 2220/53
See application file for complete search history.

(56) **References Cited**

U.S. PATENT DOCUMENTS

5,433,437	A	7/1995	Dudley et al.
5,782,727	A	7/1998	Pierce et al.
5,897,446	A	4/1999	Wiseman et al.
5,947,845	A	9/1999	Canelas
D456,596	S	5/2002	Hannah

OTHER PUBLICATIONS

Markwort. The Electronic Soccer Pro. <http://shop.markwort.com/p/the-electronic-soccer-pro>, downloaded May 14, 2015.

* cited by examiner

Primary Examiner — Antoine D Davis

(74) *Attorney, Agent, or Firm* — Henricks, Slavin & Holmes LLP

(57) **CLAIM**

The ornamental design for the foot-mountable sensor and feedback device, as shown and described.

DESCRIPTION

FIG. 1 is a top isometric view of a foot-mountable sensor and feedback device showing the new design;
 FIG. 2 is a front view thereof;
 FIG. 3 is a rear view thereof;
 FIG. 4 is a right side view thereof;
 FIG. 5 is a left side view thereof;
 FIG. 6 is a top view thereof; and,
 FIG. 7 is a bottom view thereof.

The broken line showings are for the purpose of illustrating portions of the illustrated embodiment which form no part of the claimed design.

1 Claim, 7 Drawing Sheets

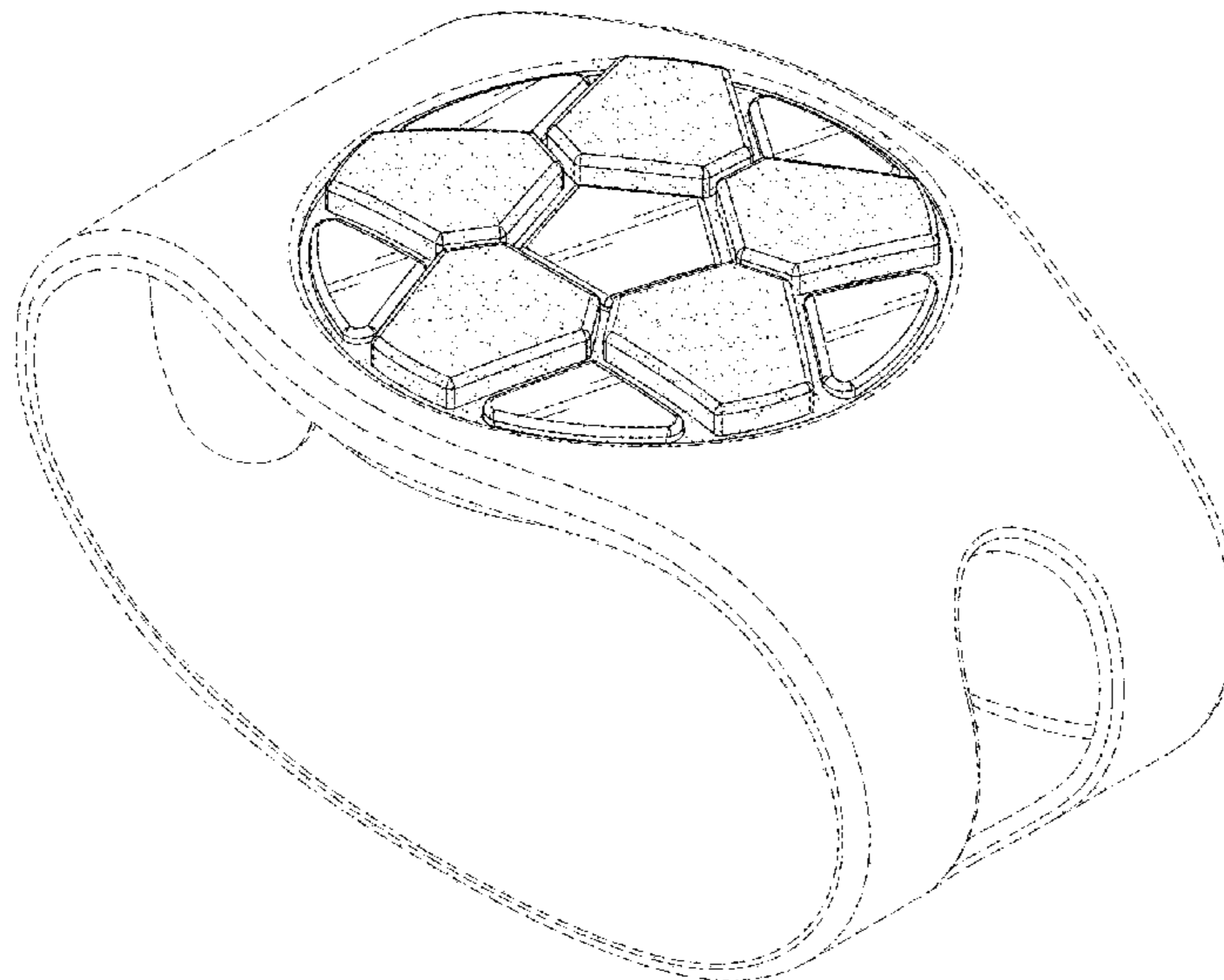
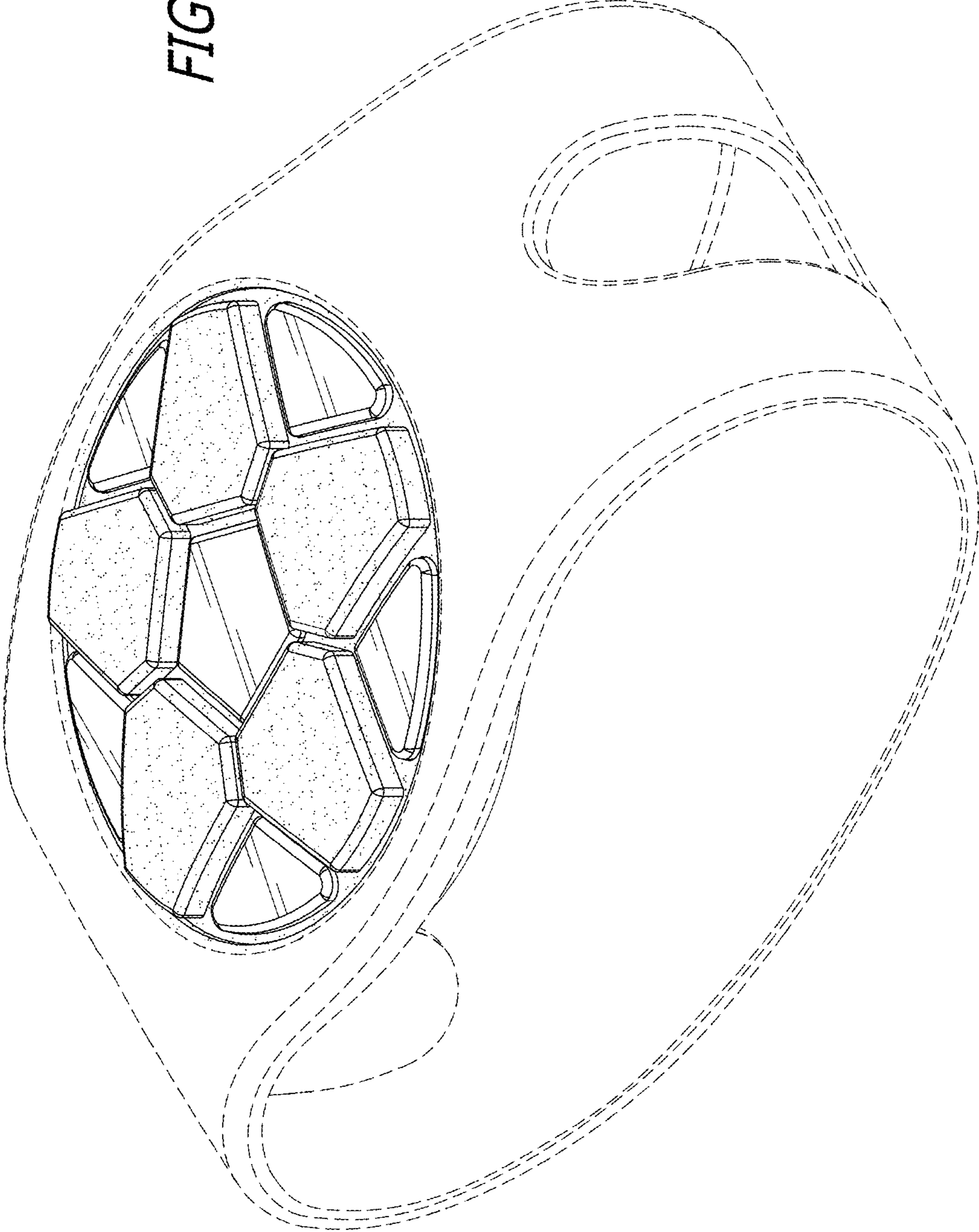


FIG. 1



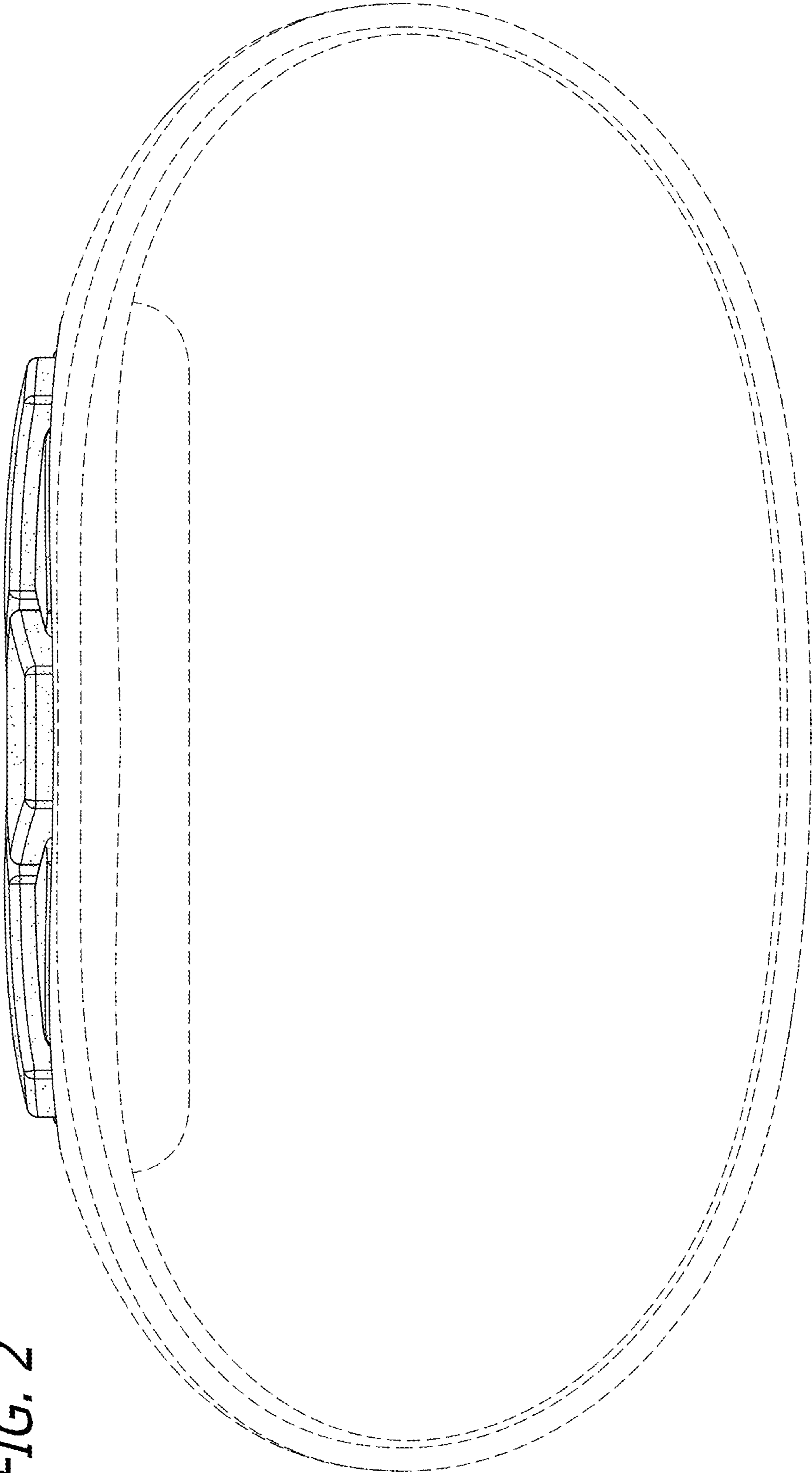
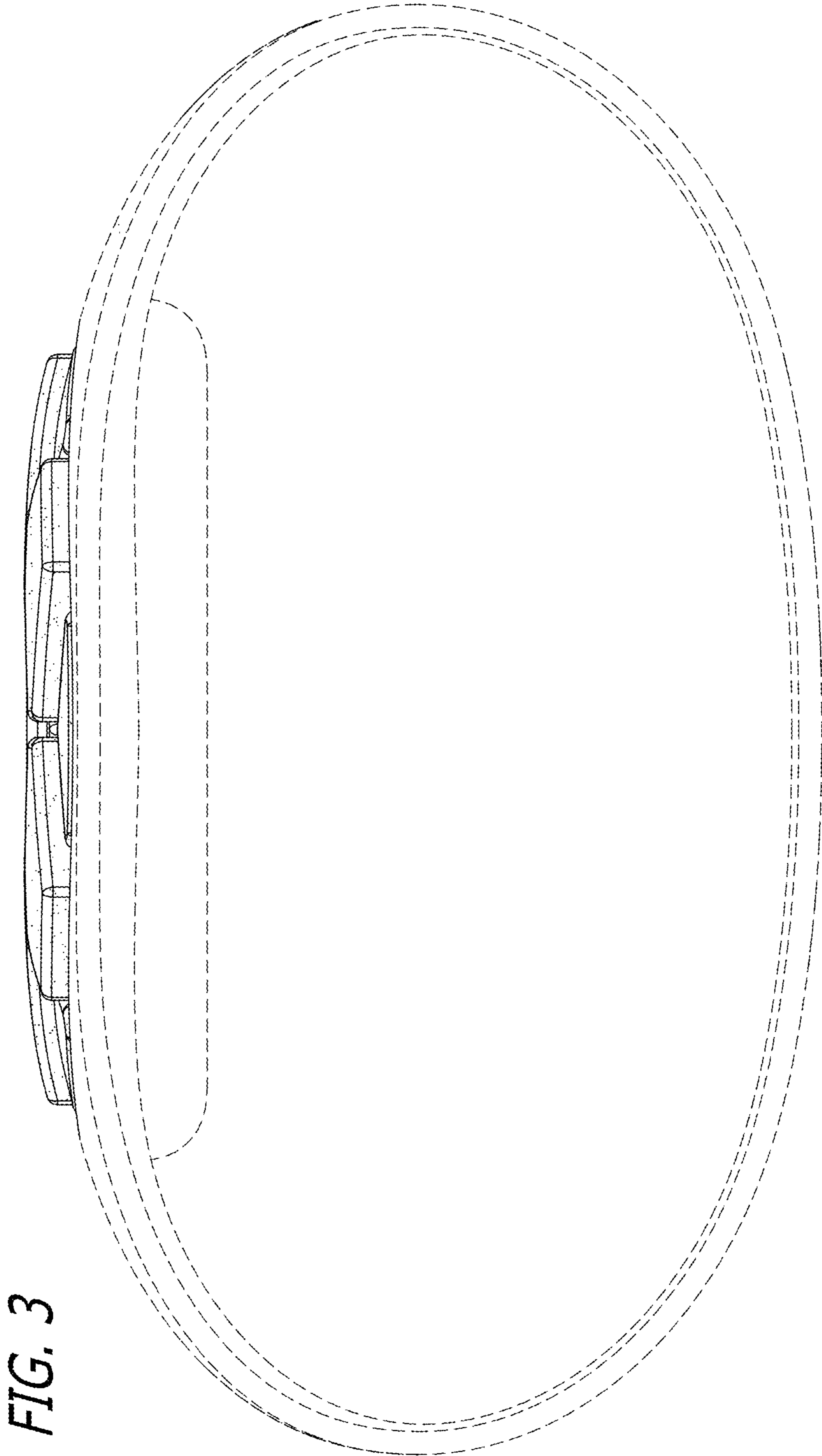


FIG. 2



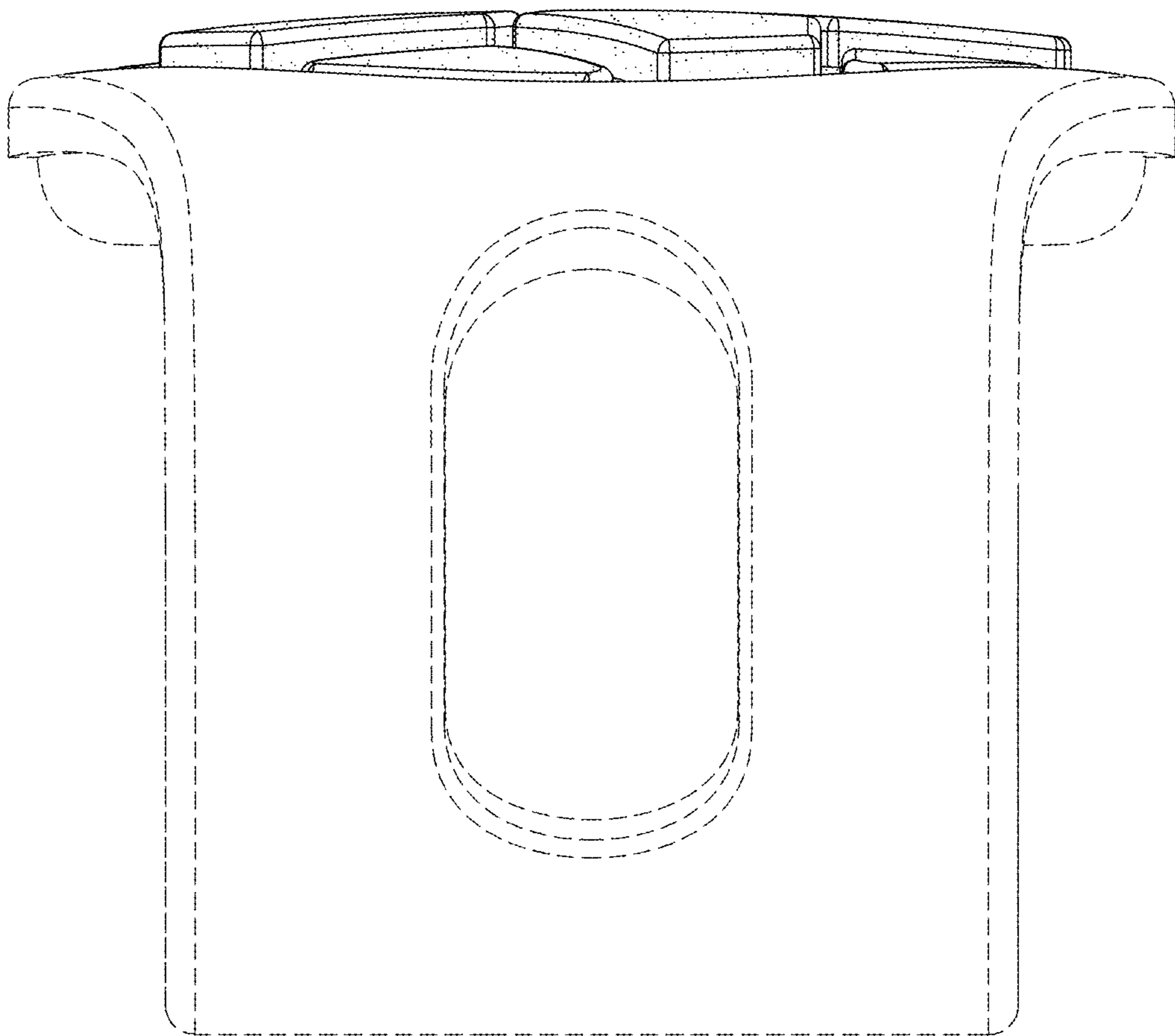


FIG. 4

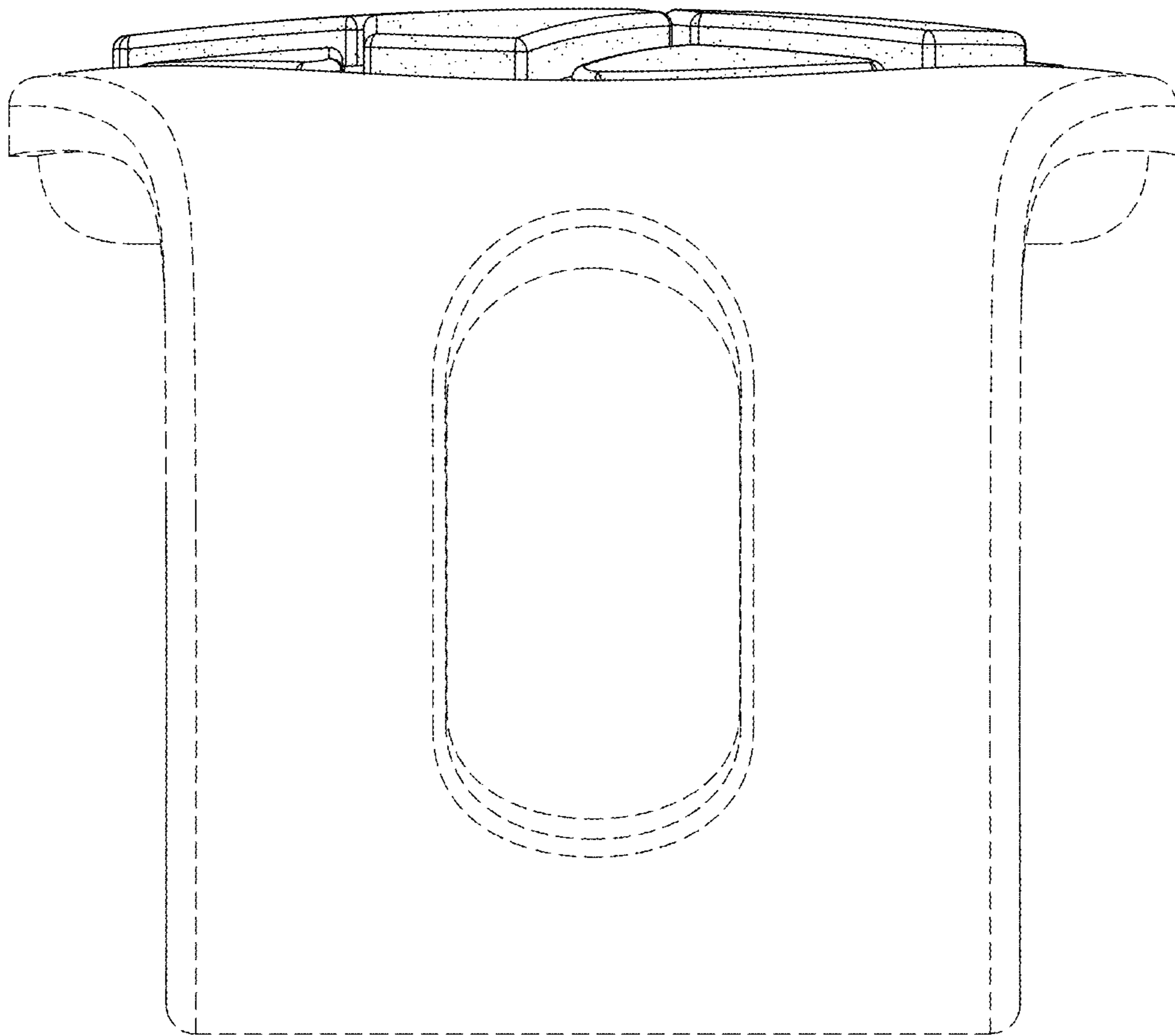


FIG. 5

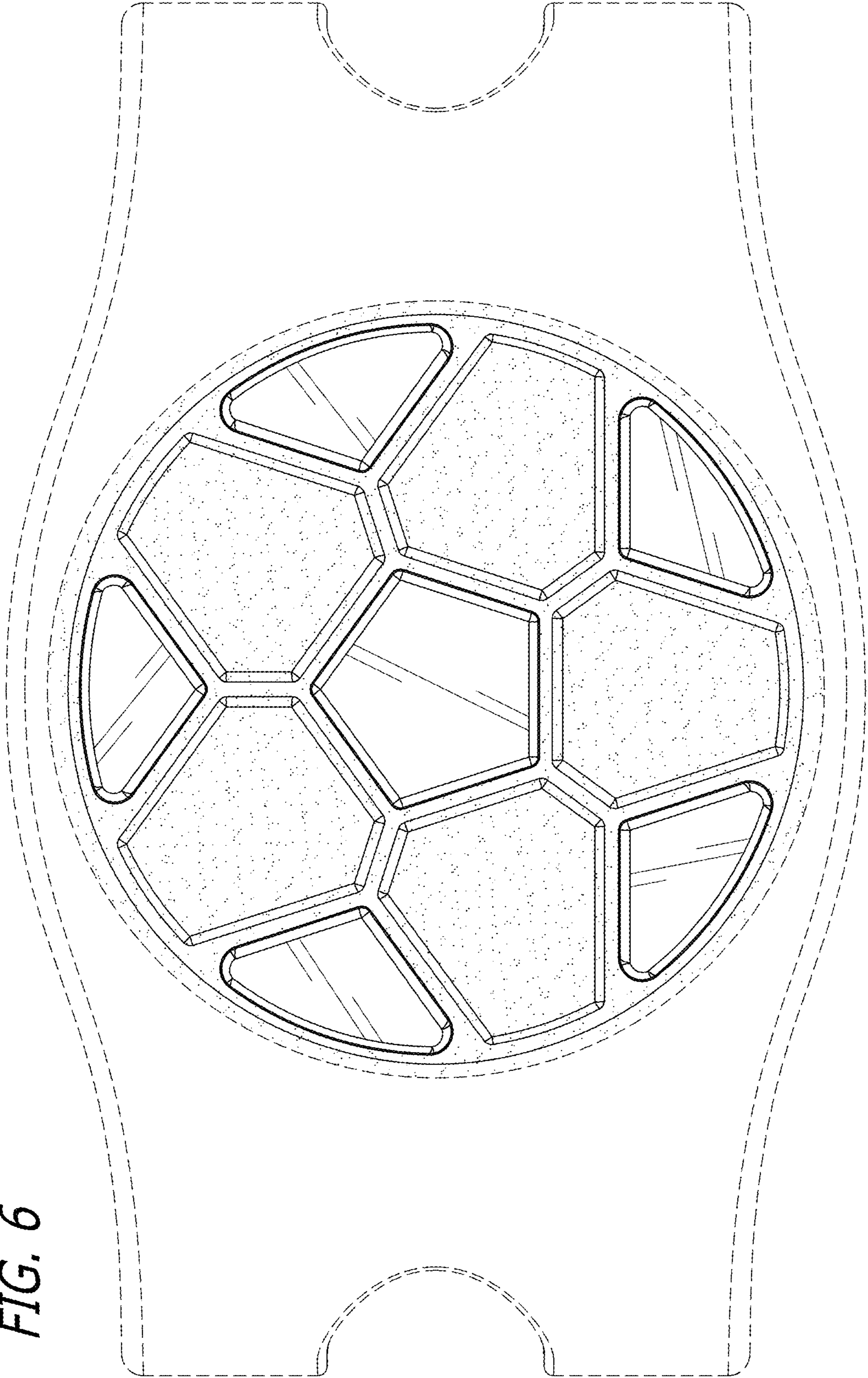


FIG. 6

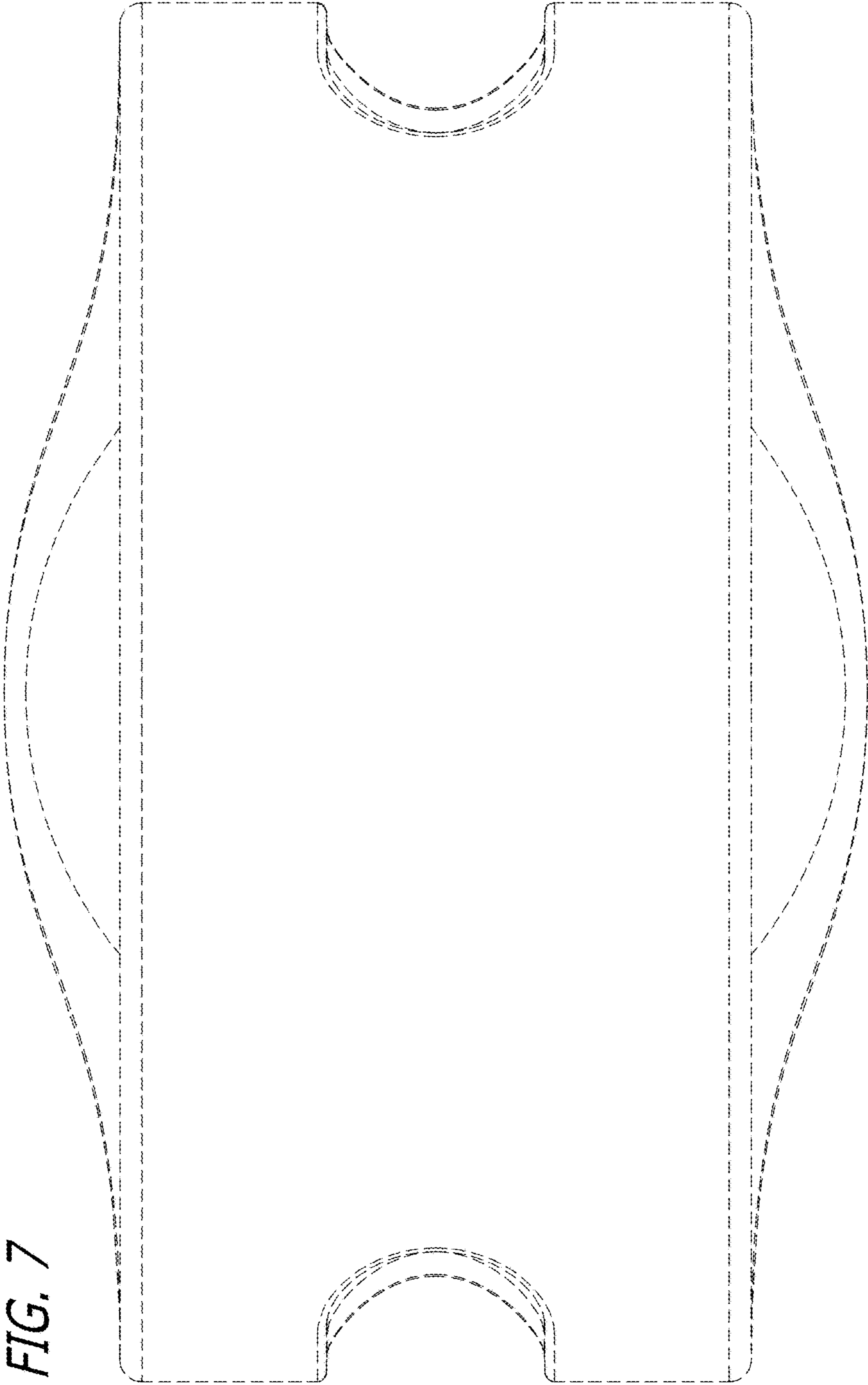


FIG. 7