



US00D784171S

(12) **United States Design Patent**
Wietzke

(10) **Patent No.:** **US D784,171 S**

(45) **Date of Patent:** **** Apr. 18, 2017**

(54) **DEVICE FOR MEASURING
LENGTH/HEIGHT**

D678,088 S * 3/2013 Haykeen D10/70
D699,132 S * 2/2014 Haykeen D10/70
8,869,415 B1 * 10/2014 Haykeen A61B 5/1072
33/478

(71) Applicant: **seca AG**, Reinach BL (CH)

* cited by examiner

(72) Inventor: **Timo Wietzke**, Hamburg (DE)

Primary Examiner — Antoine D Davis

(73) Assignee: **seca AG**, Reinach (CH)

(74) *Attorney, Agent, or Firm* — David J. Serbin

(**) Term: **15 Years**

(57) **CLAIM**

(21) Appl. No.: **29/527,244**

The ornamental design for a device for measuring length/height, substantially as shown and described.

(22) Filed: **May 18, 2015**

DESCRIPTION

(30) **Foreign Application Priority Data**

Nov. 18, 2014 (EM) 002580340-0002

(51) **LOC (10) Cl.** **10-04**

(52) **U.S. Cl.**

USPC **D10/70**; D10/94

(58) **Field of Classification Search**

USPC D10/70, 71, 74, 92, 94

CPC A61B 5/107; A61B 5/1071; A61B 5/1072;
A61B 5/1073; A61B 5/1074; A61B
5/1075; A61B 5/1076; A61B 5/1077;
A61B 5/1078; A61B 5/1079

See application file for complete search history.

(56) **References Cited**

U.S. PATENT DOCUMENTS

D355,860 S * 2/1995 Lund D10/70
D611,368 S * 3/2010 Garthoff D10/70
8,322,043 B2 * 12/2012 Cha A61B 5/1072
33/515

FIG. 1 is a top left perspective view of a device for measuring length/height, showing the new design in a closed position;

FIG. 2 is a front view thereof in a closed position;

FIG. 3 is a back view thereof in a closed position;

FIG. 4 is a left side view thereof in a closed position;

FIG. 5 is a right side view thereof in a closed position;

FIG. 6 is a top view thereof in a closed position;

FIG. 7 is a bottom view thereof in a closed position;

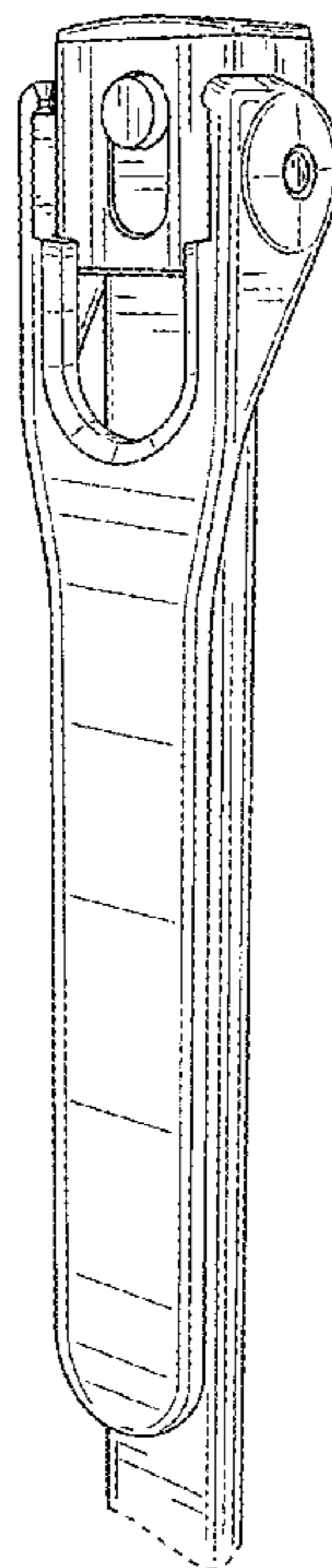
FIG. 8 is a top left perspective view thereof showing the new design in an open position; and,

FIG. 9 is a full left front perspective view of the new design in an open position.

The elements shown in broken lines form no part of the claimed design.

The curved break lines shown at the bottom of the claimed design in FIGS. 1, 2, 3, 4, 5 and 8, and on the upper part of the claimed design in FIG. 9, are to indicate indeterminate length and form no part of the claimed design.

1 Claim, 6 Drawing Sheets



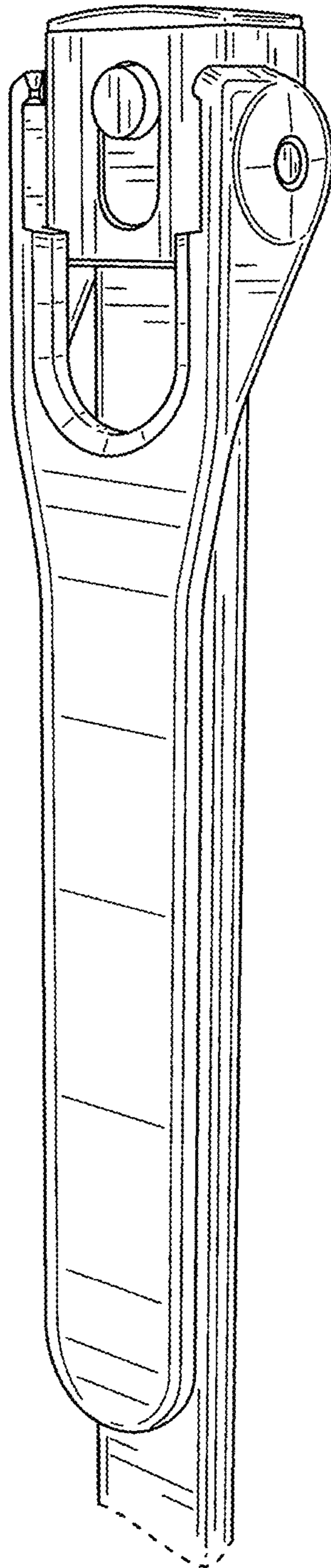


FIG. 1

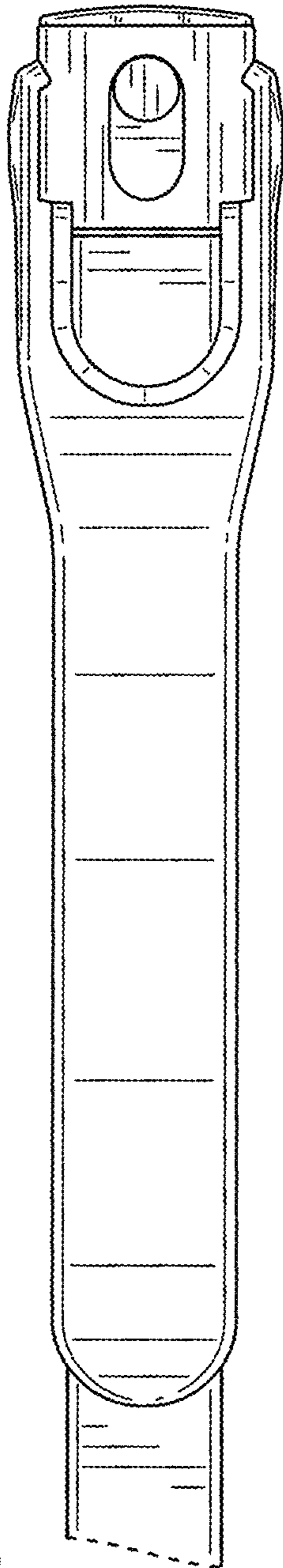


FIG. 2

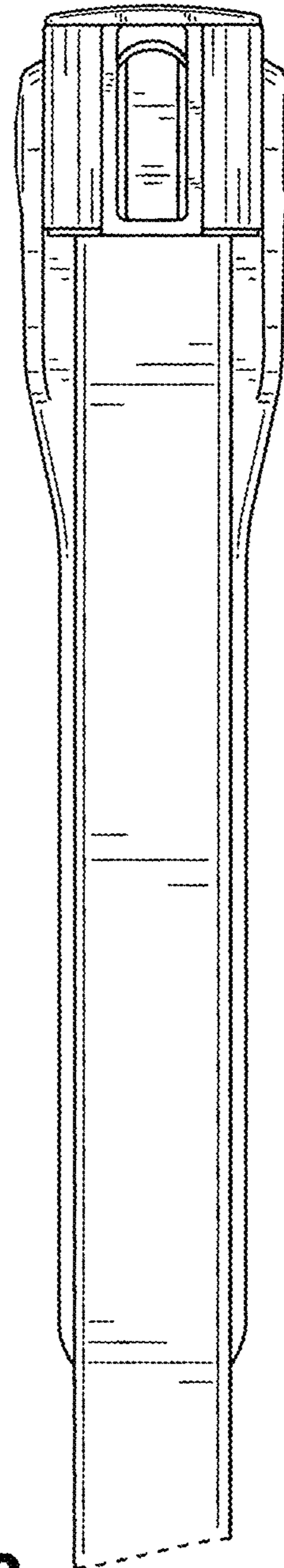


FIG. 3

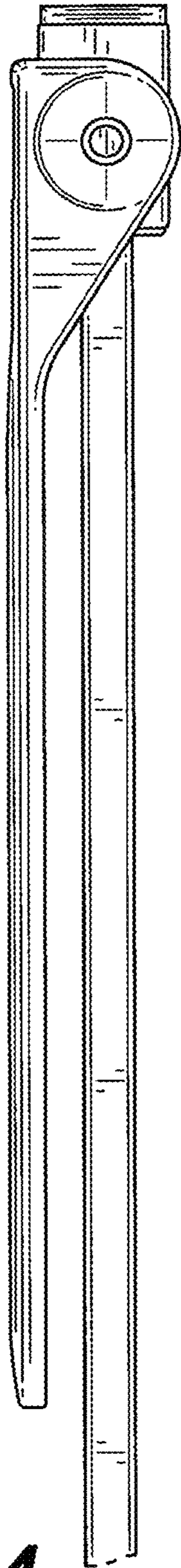


FIG. 4

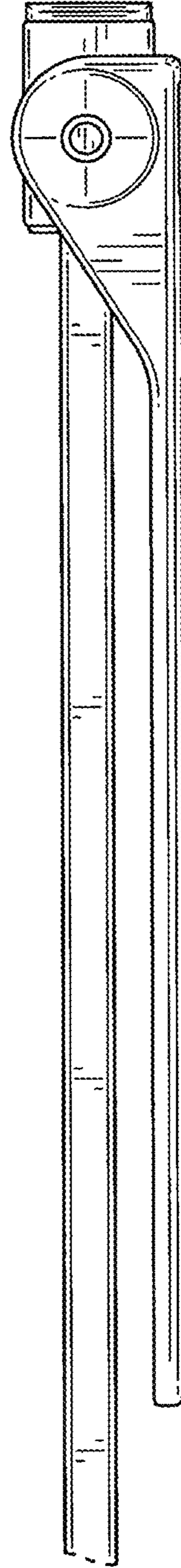


FIG. 5

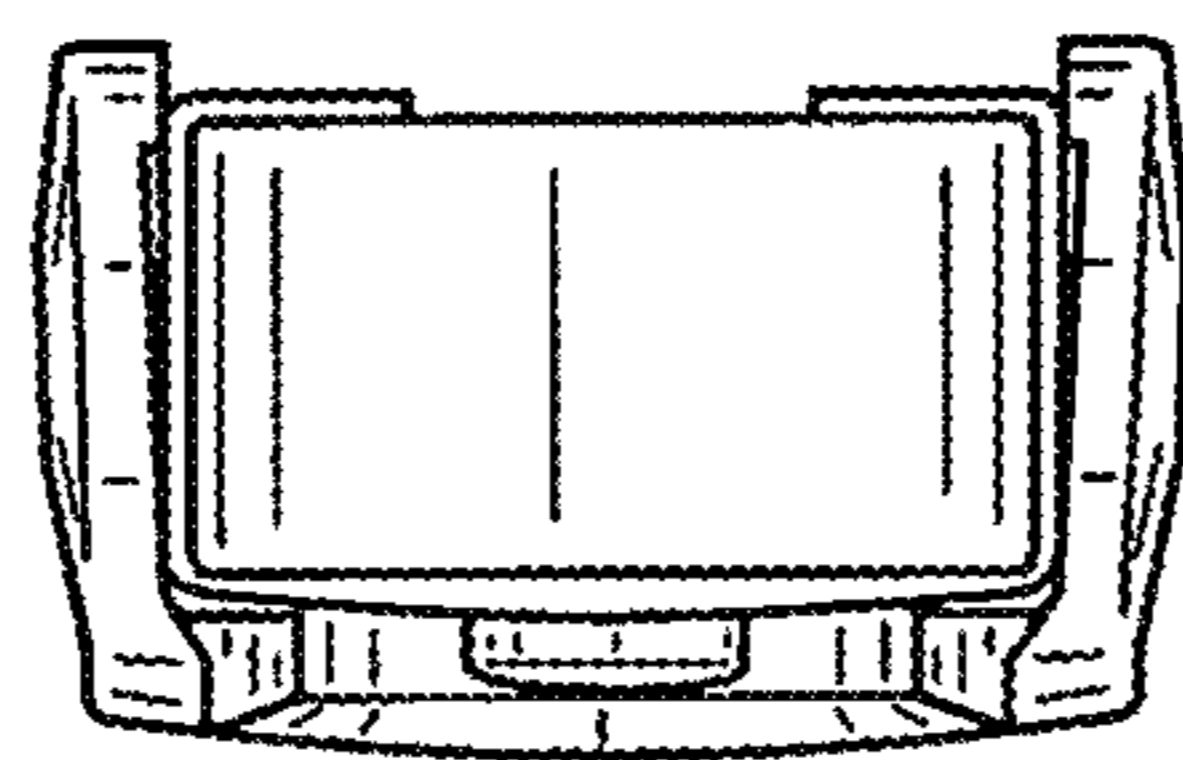


FIG. 6

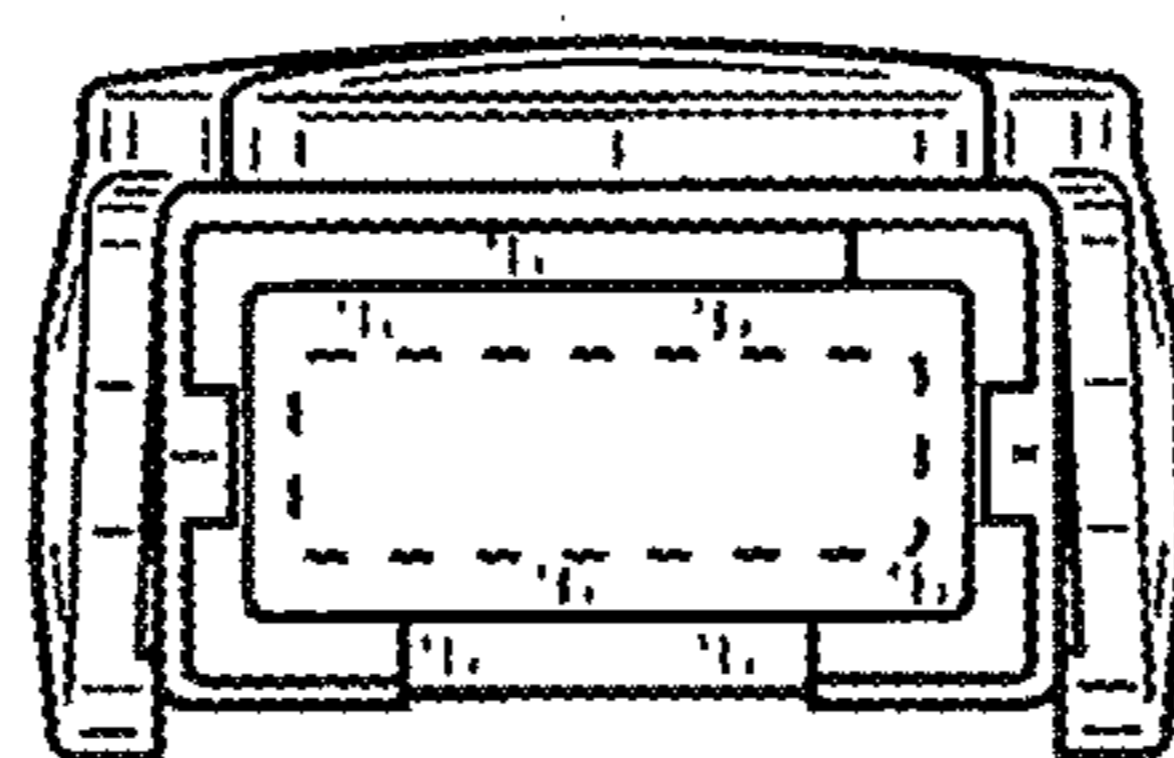


FIG. 7

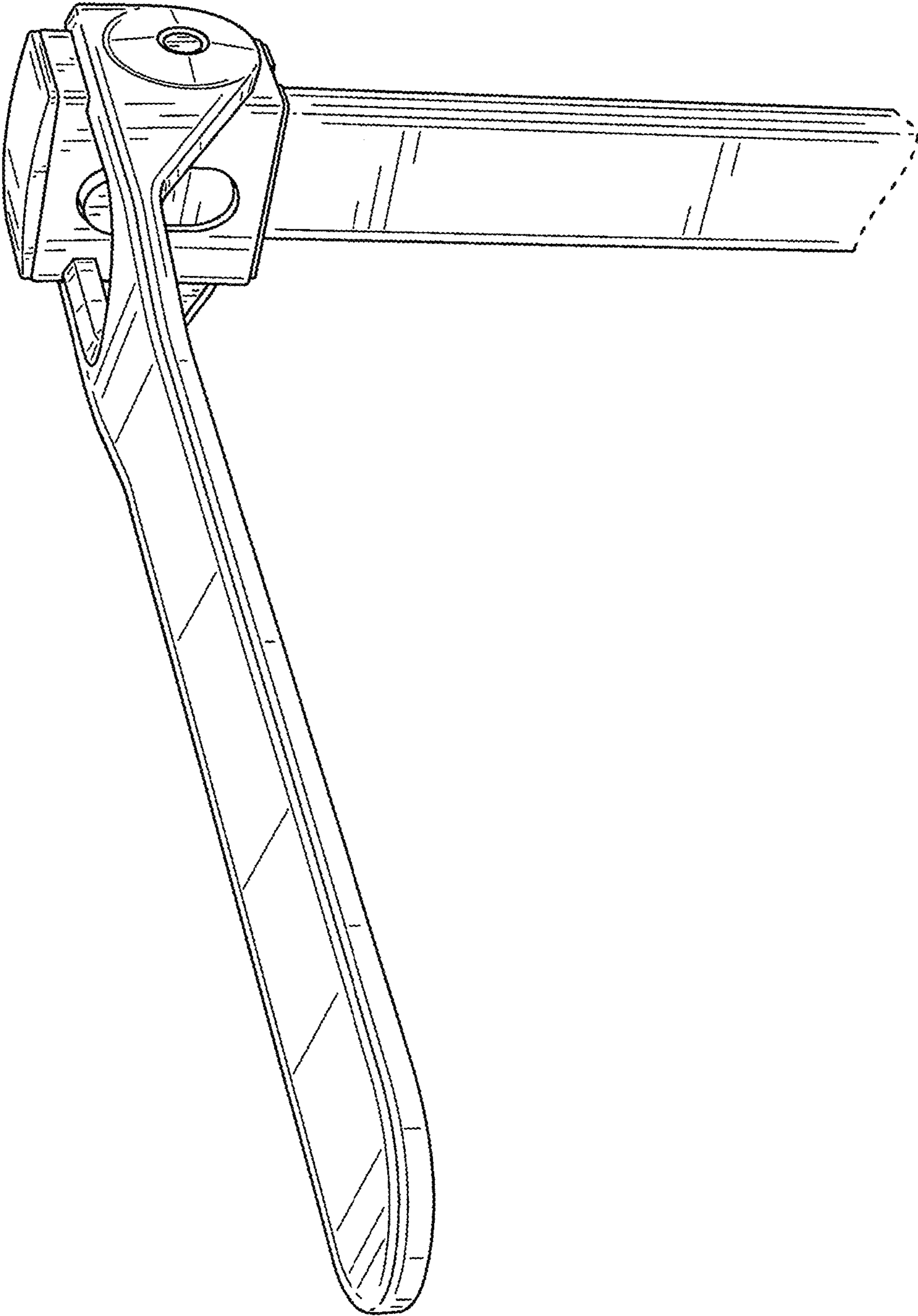


FIG. 8

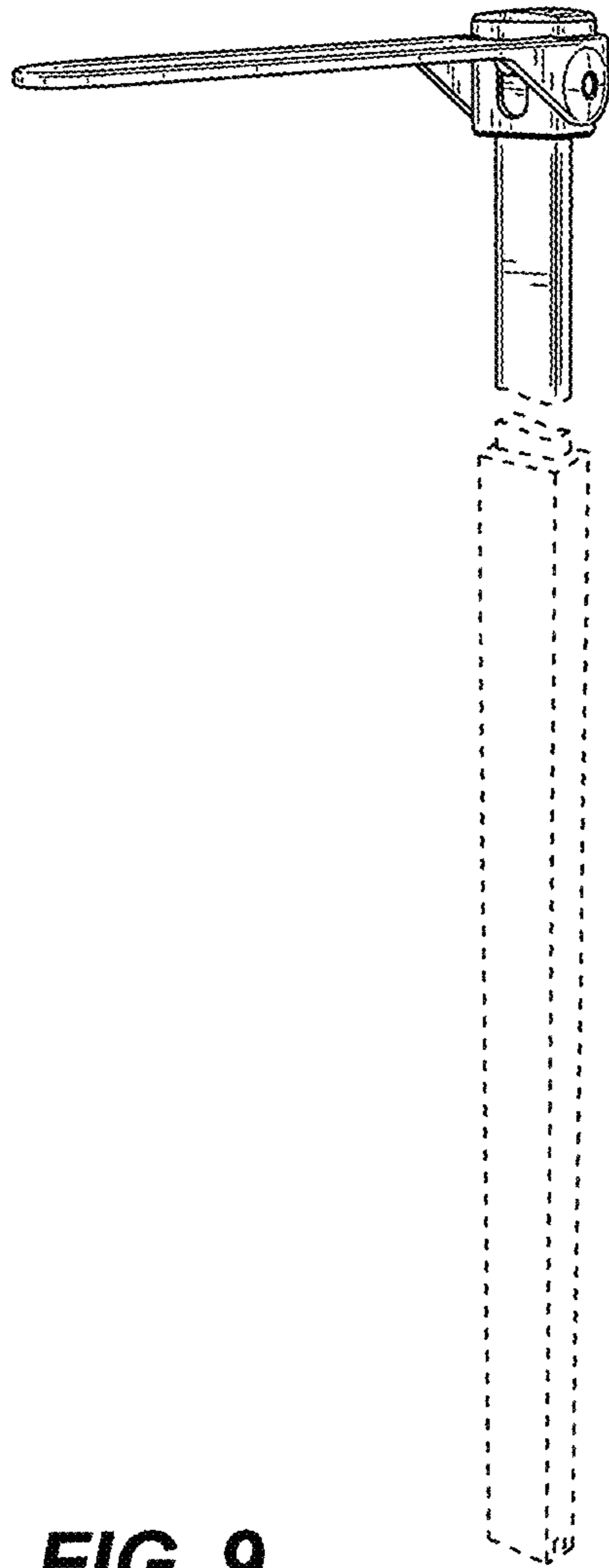


FIG. 9