



US00D784167S

(12) **United States Design Patent** (10) **Patent No.:** **US D784,167 S**
Fujiuchi et al. (45) **Date of Patent:** **** Apr. 18, 2017**

(54) **IMAGE SENSOR**

(71) Applicant: **MITSUBISHI ELECTRIC CORPORATION**, Tokyo (JP)

(72) Inventors: **Akiko Fujiuchi**, Tokyo (JP); **Atsushi Ito**, Tokyo (JP); **Kazuya Makabe**, Tokyo (JP); **Masaki Wakisaka**, Tokyo (JP)

(73) Assignee: **Mitsubishi Electric Corporation**, Tokyo (JP)

(**) Term: **15 Years**

(21) Appl. No.: **29/548,466**

(22) Filed: **Dec. 14, 2015**

(30) **Foreign Application Priority Data**

Jun. 18, 2015 (JP) 2015-013494

(51) **LOC (10) Cl.** **10-04**

(52) **U.S. Cl.**
USPC **D10/46; D10/102; D14/420; D16/219; D18/56**

(58) **Field of Classification Search**

USPC **D10/46, 102; D14/420; D16/219; D18/56**

CPC **H04N 1/0289; H04N 1/02481; H04N 1/0249; H04N 1/0315; H04N 1/0281; H04N 1/02835; H04N 1/02885; H04N 1/02895; H04N 1/0318; H04N 1/193; H04N 1/02815; H04N 1/1936; H01L 27/14618; H01L 27/14625**

See application file for complete search history.

(56) **References Cited**

U.S. PATENT DOCUMENTS

D391,238	S	*	2/1998	Sakata	D14/420
D737,152	S	*	8/2015	Chang	D10/46
9,128,217	B2	*	9/2015	Fujiuchi	H04N 1/02835
9,386,183	B2	*	7/2016	Ohama	H04N 1/02835
9,456,105	B2	*	9/2016	Matsui	H04N 1/02835
2016/0037011	A1	*	2/2016	Fujiuchi	H04N 1/0315 358/471
2016/0133661	A1	*	5/2016	Fujiuchi	H04N 1/0318 257/432

* cited by examiner

Primary Examiner — Antoine D Davis

(74) *Attorney, Agent, or Firm* — Studebaker & Brackett PC

(57) **CLAIM**

The ornamental design for an image sensor, as shown and described.

DESCRIPTION

FIG. 1 is a front perspective view of the front, left, and top sides of an image sensor showing our new design;

FIG. 2 is a rear perspective view of the rear, right, and bottom sides thereof;

FIG. 3 is a front view thereof;

FIG. 4 is a rear view thereof;

FIG. 5 is a left side view thereof;

FIG. 6 is a right side view thereof;

FIG. 7 is a top plan view thereof; and,

FIG. 8 is a bottom view thereof.

The broken lines shown represent unclaimed subject matter of the image sensor and form no part of the claimed design.

The dash-dot lines represent the boundary between the claimed design and unclaimed design.

1 Claim, 8 Drawing Sheets

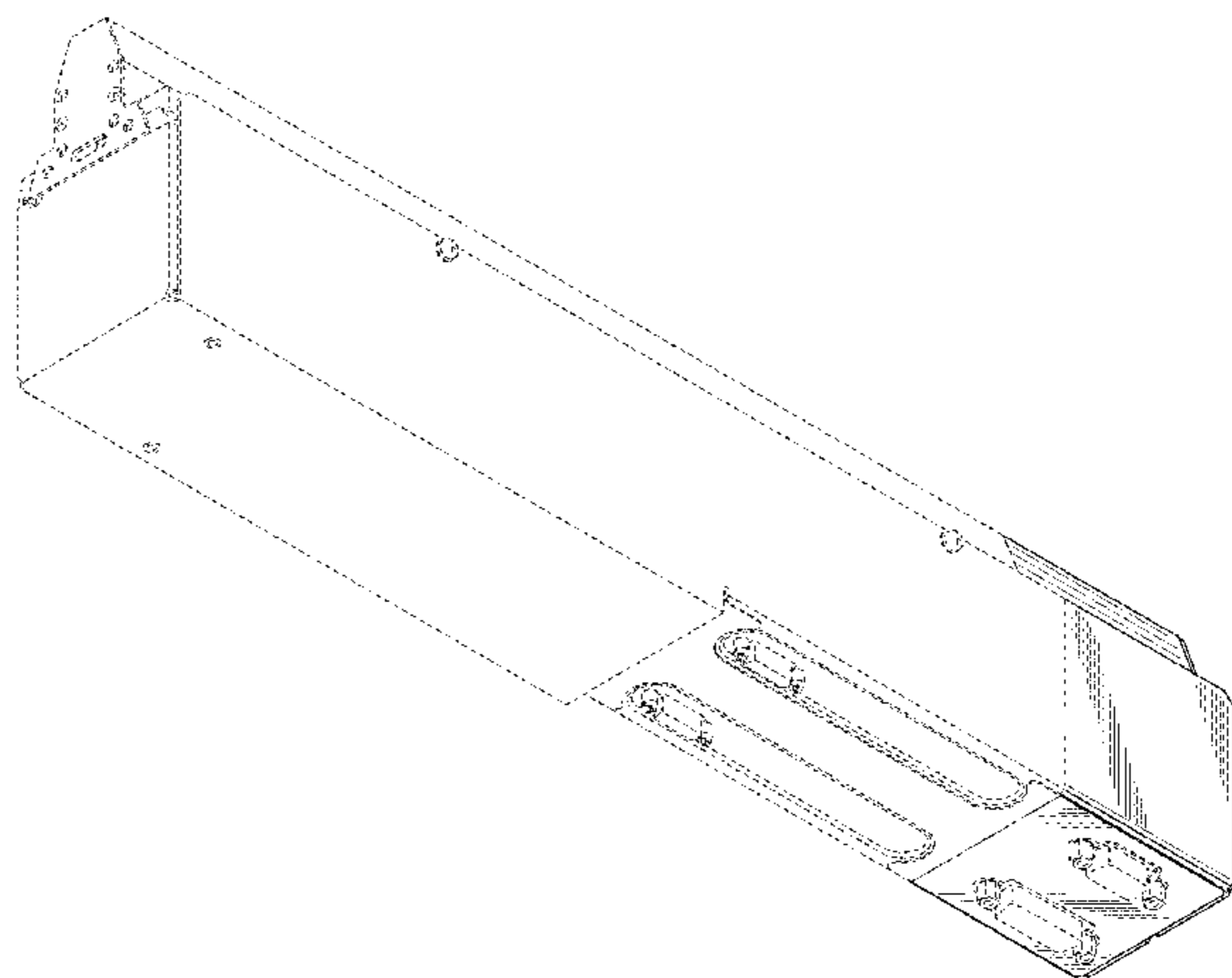
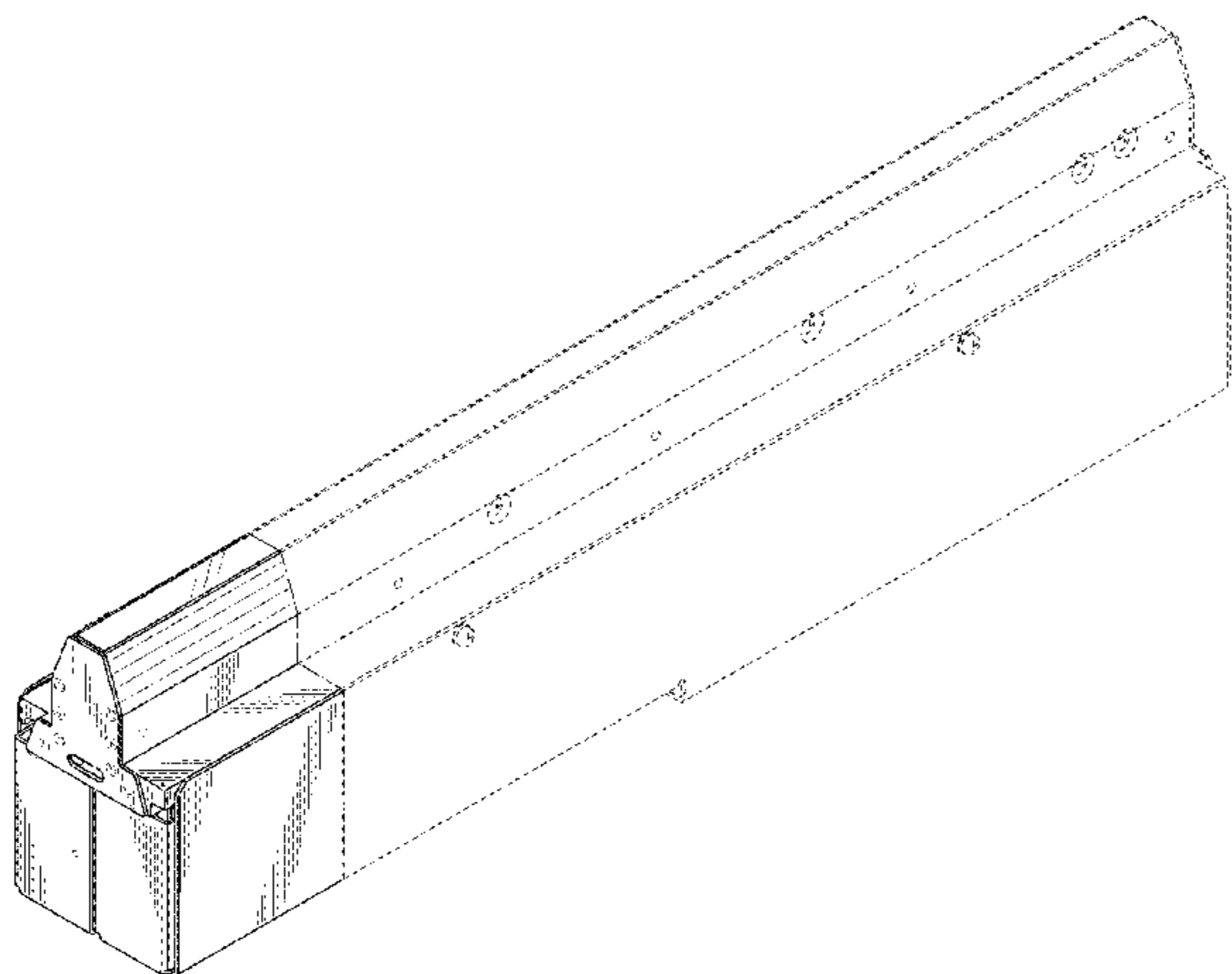


FIG. 1

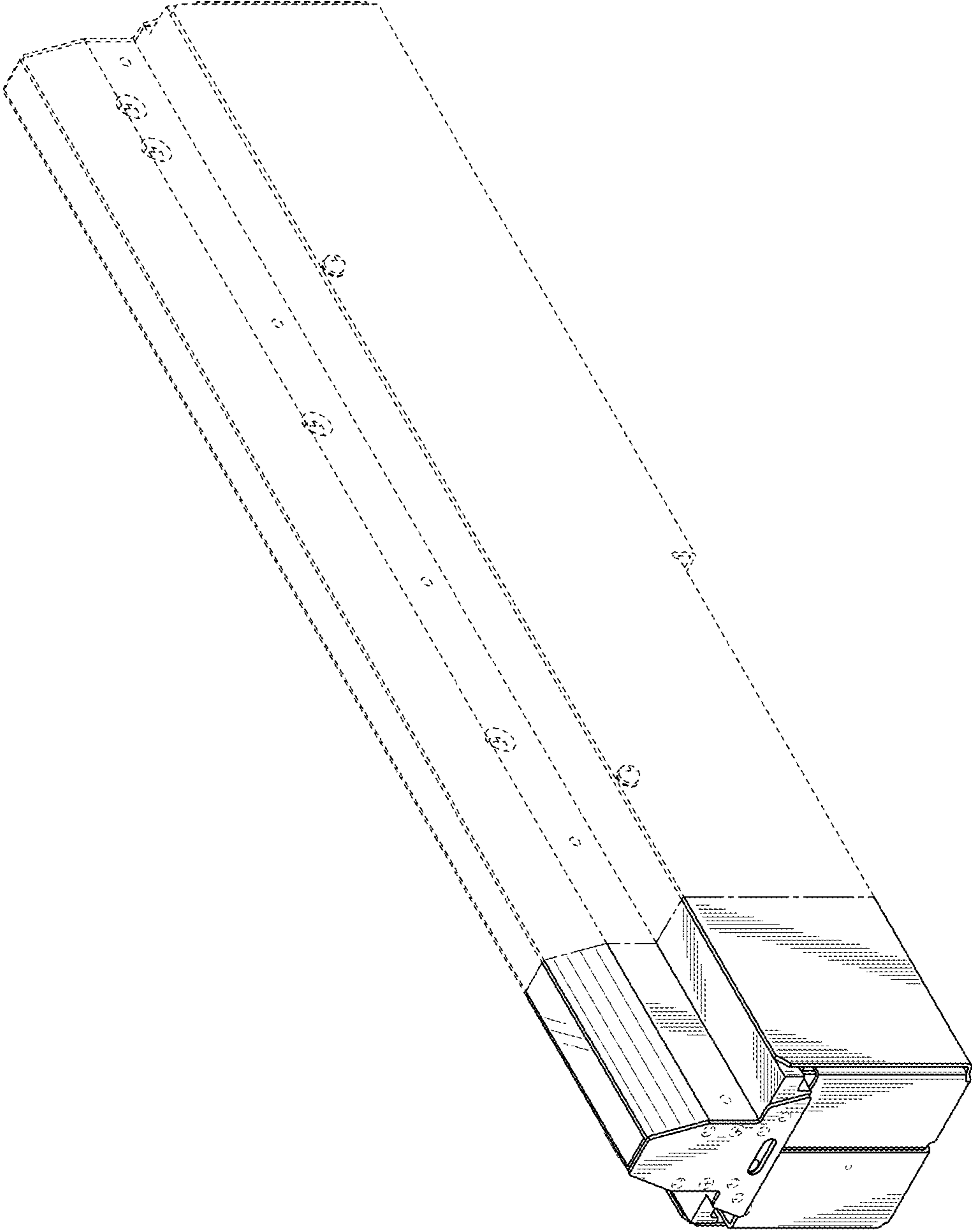


FIG. 2

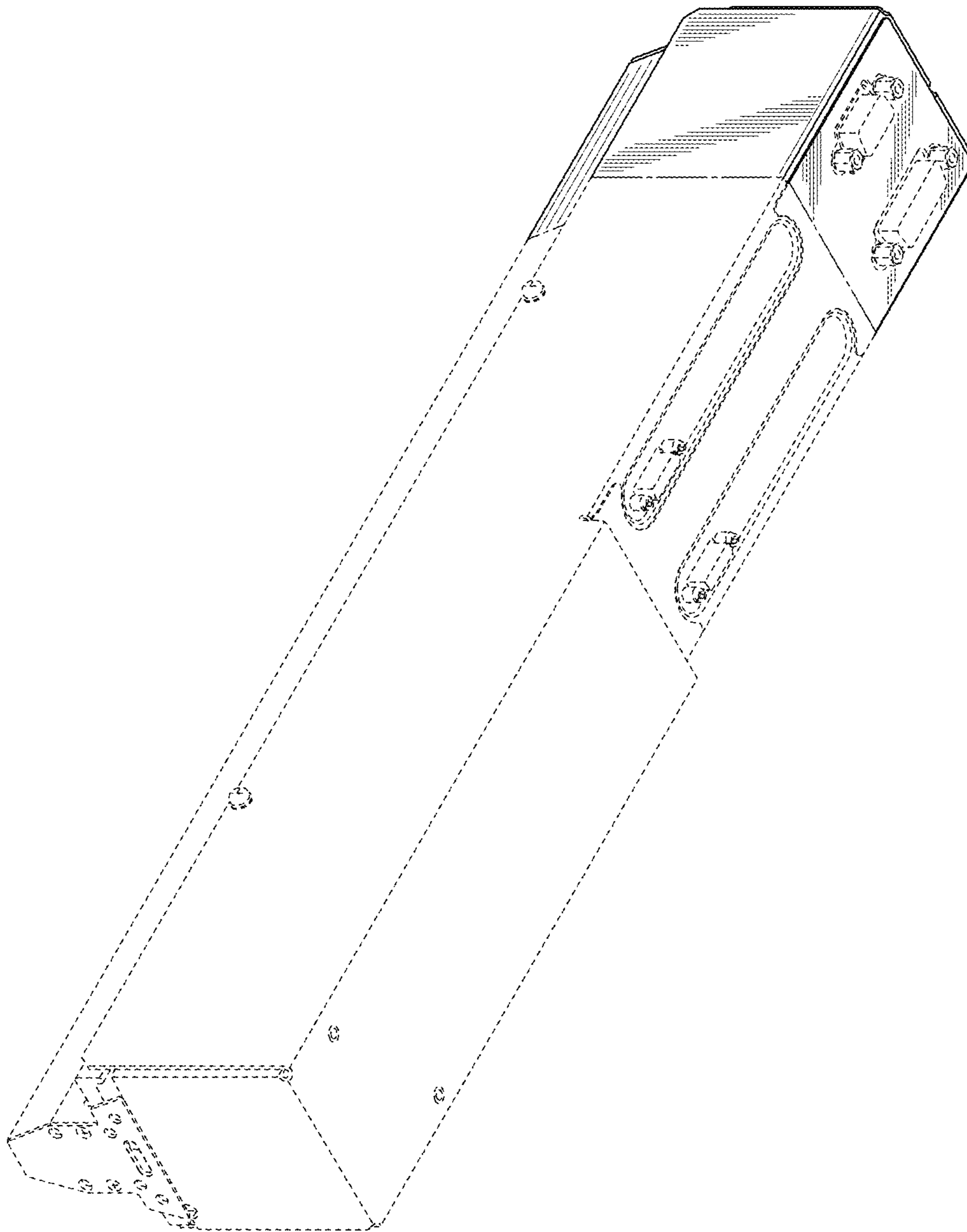


FIG. 3

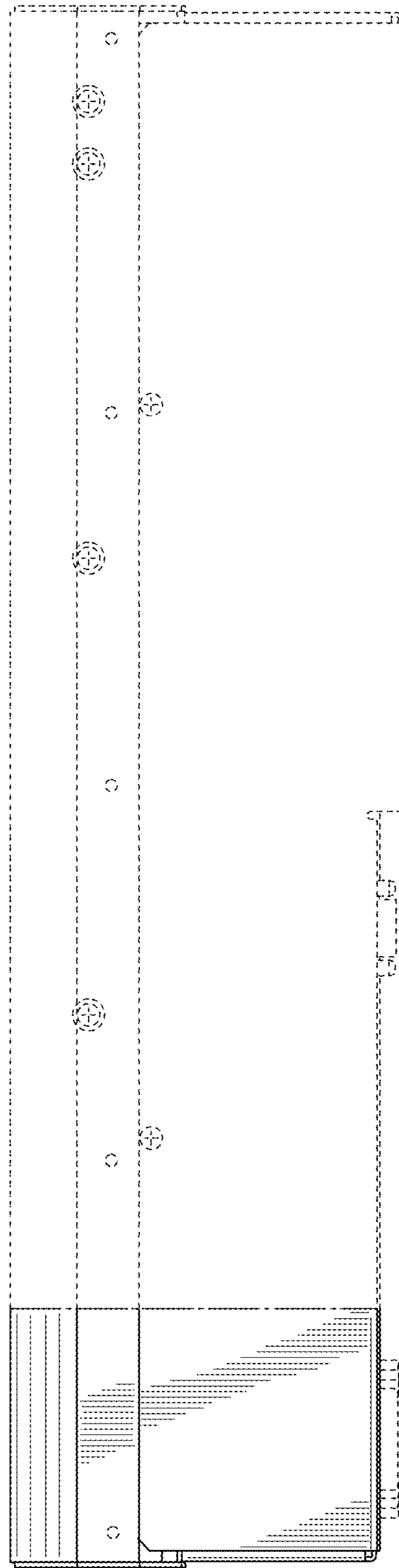


FIG. 4

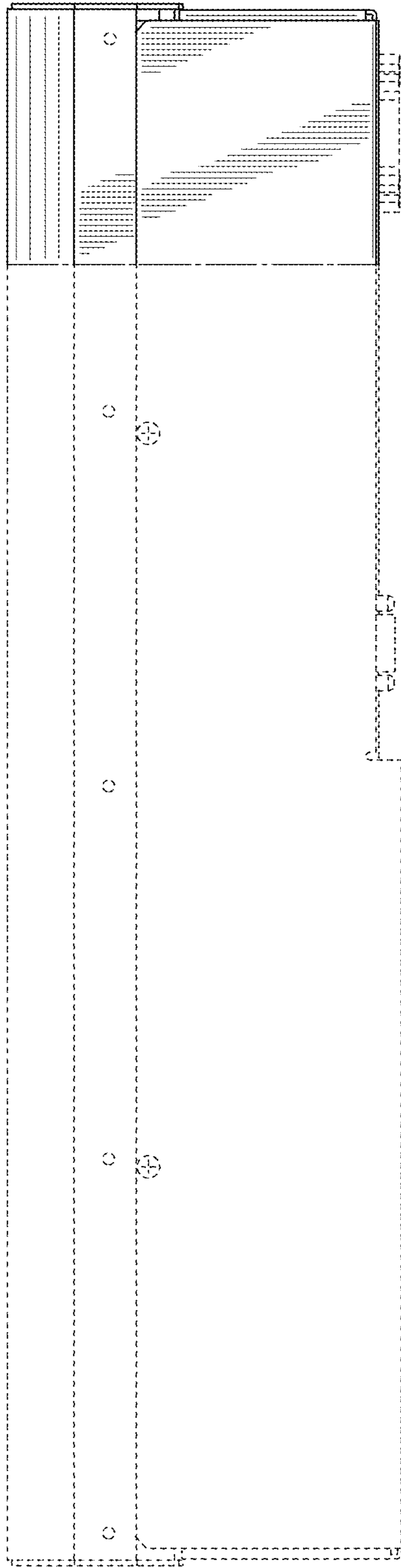


FIG. 5

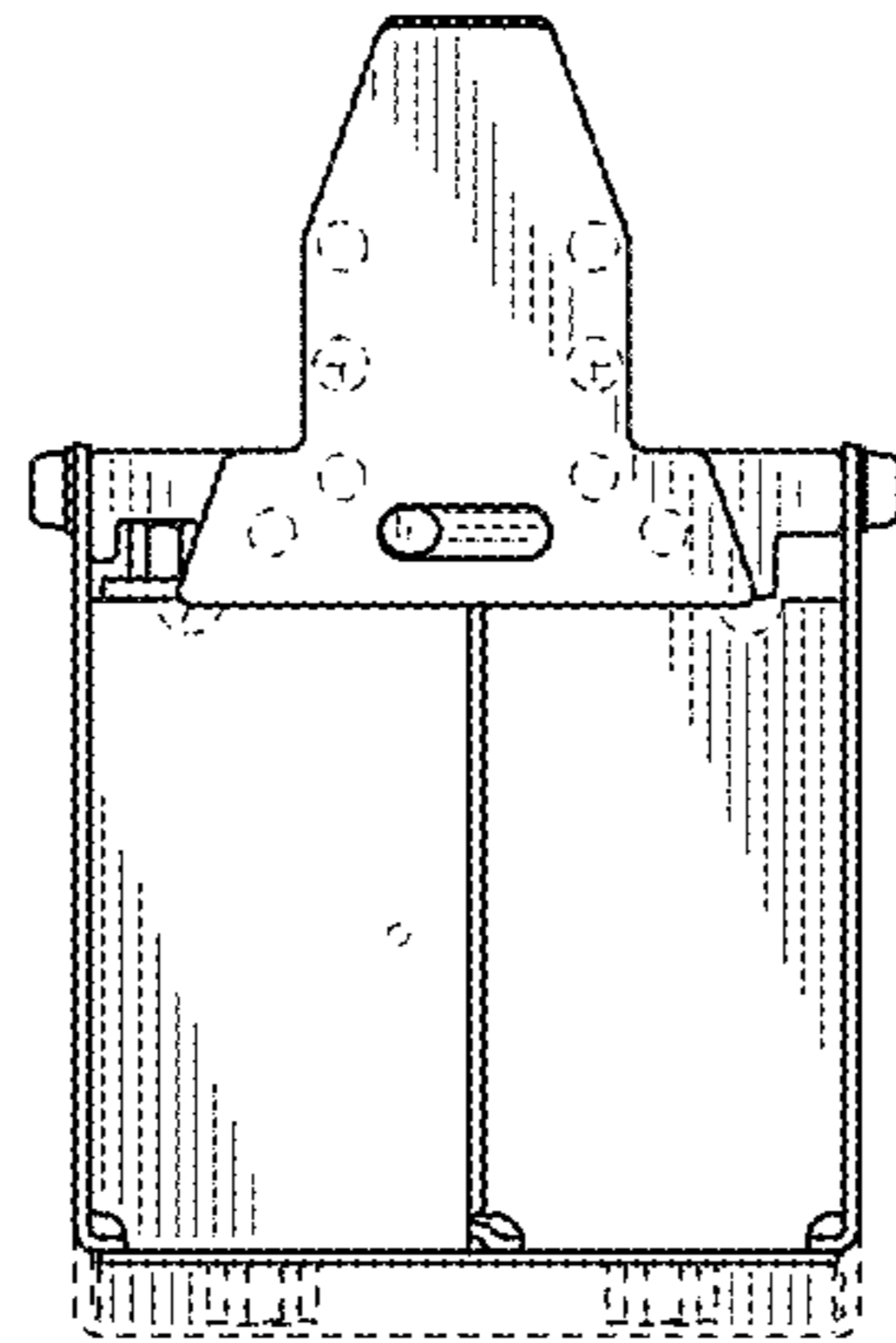


FIG. 6

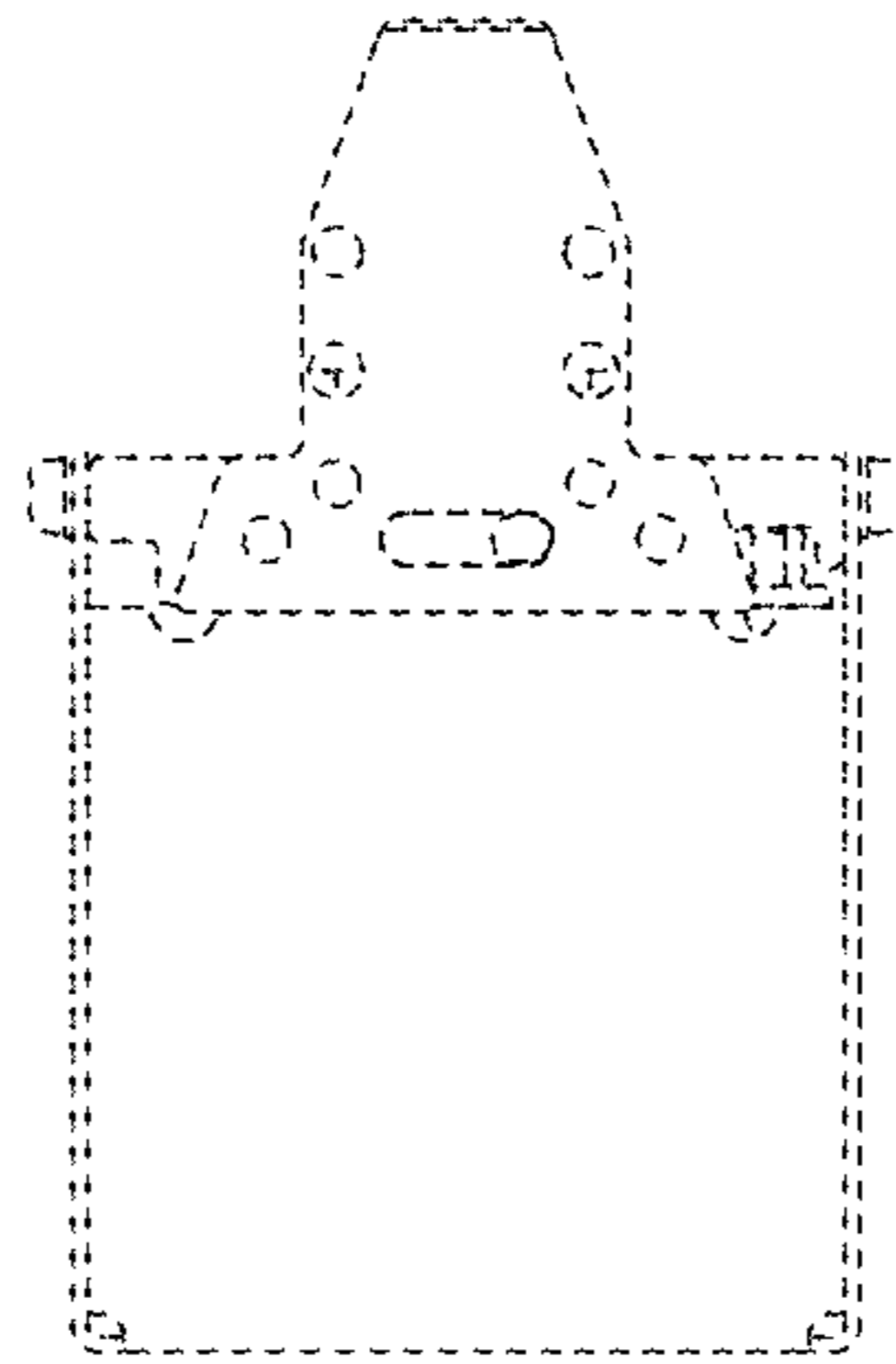


FIG. 7

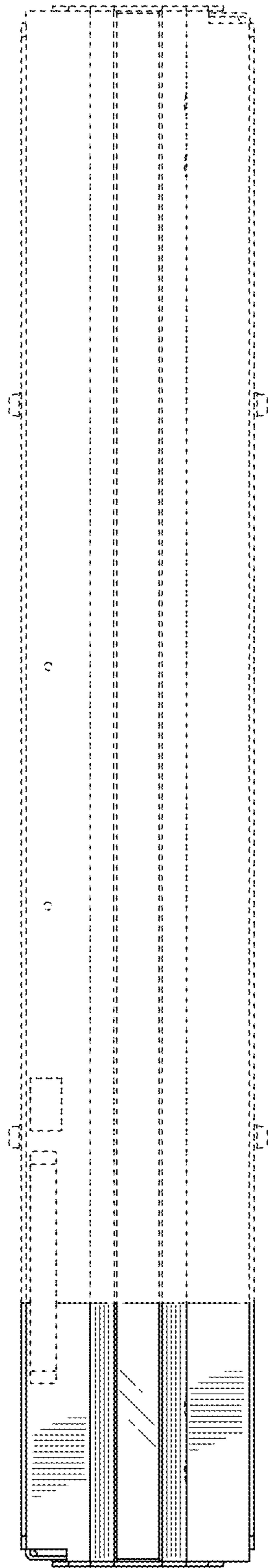


FIG. 8

