



US00D784166S

(12) **United States Design Patent** (10) **Patent No.:** **US D784,166 S**
Kishino (45) **Date of Patent:** **** Apr. 18, 2017**

- (54) **WATCH CASE**
- (71) Applicant: **SEIKO WATCH KABUSHIKI KAISHA**, Chuo-ku, Tokyo (JP)
- (72) Inventor: **Takumi Kishino**, Tokyo (JP)
- (73) Assignee: **SEIKO WATCH KABUSHIKI KAISHA** (JP)
- (**) Term: **15 Years**
- (21) Appl. No.: **29/548,741**
- (22) Filed: **Dec. 16, 2015**
- (51) **LOC (10) Cl.** **10-02**
- (52) **U.S. Cl.**
USPC **D10/38**
- (58) **Field of Classification Search**
USPC D10/30-39, 122-132
CPC . H04L 51/046; H04L 63/1416; G06F 3/0482;
H04W 87/12; G04B 19/00; G04B 19/20;
G04B 19/14; G04B 19/18; G04B
37/0008; G04B 37/0058; G04B 37/116;
G04B 37/1486; G04B 45/0069
See application file for complete search history.

D605,533 S *	12/2009	Schoepfer	D10/38
D624,442 S *	9/2010	Clerc	D10/38
D656,044 S *	3/2012	Favre	D10/38
8,689,446 B2 *	4/2014	Cataldo	G04B 37/22 29/896.33
D735,586 S *	8/2015	Stegmann	D10/30
D743,282 S *	11/2015	Park	D10/30
D748,995 S *	2/2016	Babcock	D10/30
D764,318 S *	8/2016	Kauffmann	D10/30

FOREIGN PATENT DOCUMENTS

CH	126242 A *	6/1928	G04B 37/0008
CH	EP 1975747 A2 *	10/2008	G04B 37/0008
CH	697598 B1 *	12/2008	G04B 37/1486
GB	2056127 A *	3/1981	G04B 19/14

* cited by examiner

Primary Examiner — Sheryl Lane
Assistant Examiner — Samantha Wood
(74) *Attorney, Agent, or Firm* — Saidman DesignLaw Group, LLC

(57) **CLAIM**

The ornamental design for a watch case, as shown and described.

DESCRIPTION

FIG. 1 is a perspective view of a watch case showing my new design;
FIG. 2 is a front elevational view thereof;
FIG. 3 is a rear elevational view thereof;
FIG. 4 is a left elevational view thereof;
FIG. 5 is a right elevational view thereof;
FIG. 6 is a top plan view thereof; and,
FIG. 7 is a bottom plan view thereof.

1 Claim, 5 Drawing Sheets

(56) **References Cited**

U.S. PATENT DOCUMENTS

D434,679 S *	12/2000	Dumas	D10/30
D454,074 S *	3/2002	Fox	D10/30
D473,147 S *	4/2003	D'Origny	D10/39
D555,518 S *	11/2007	Borraccino	D10/39
D555,519 S *	11/2007	Borraccino	D10/39
D561,612 S *	2/2008	Finazzi	D10/38
D564,909 S *	3/2008	Kume	D10/38
D576,890 S *	9/2008	El Kadiri	D10/30
D587,140 S *	2/2009	Kauffmann	D10/38

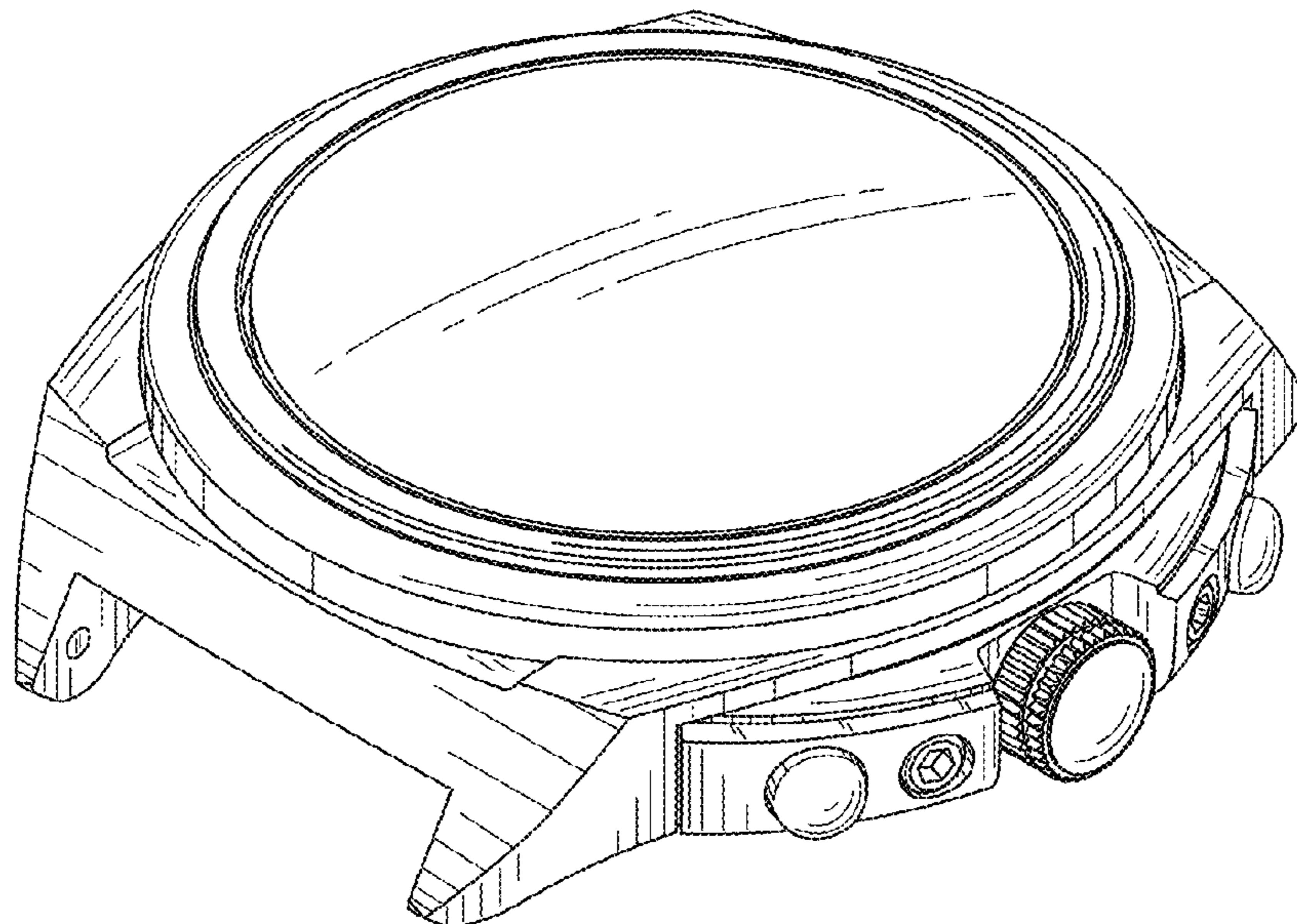


FIG. 1

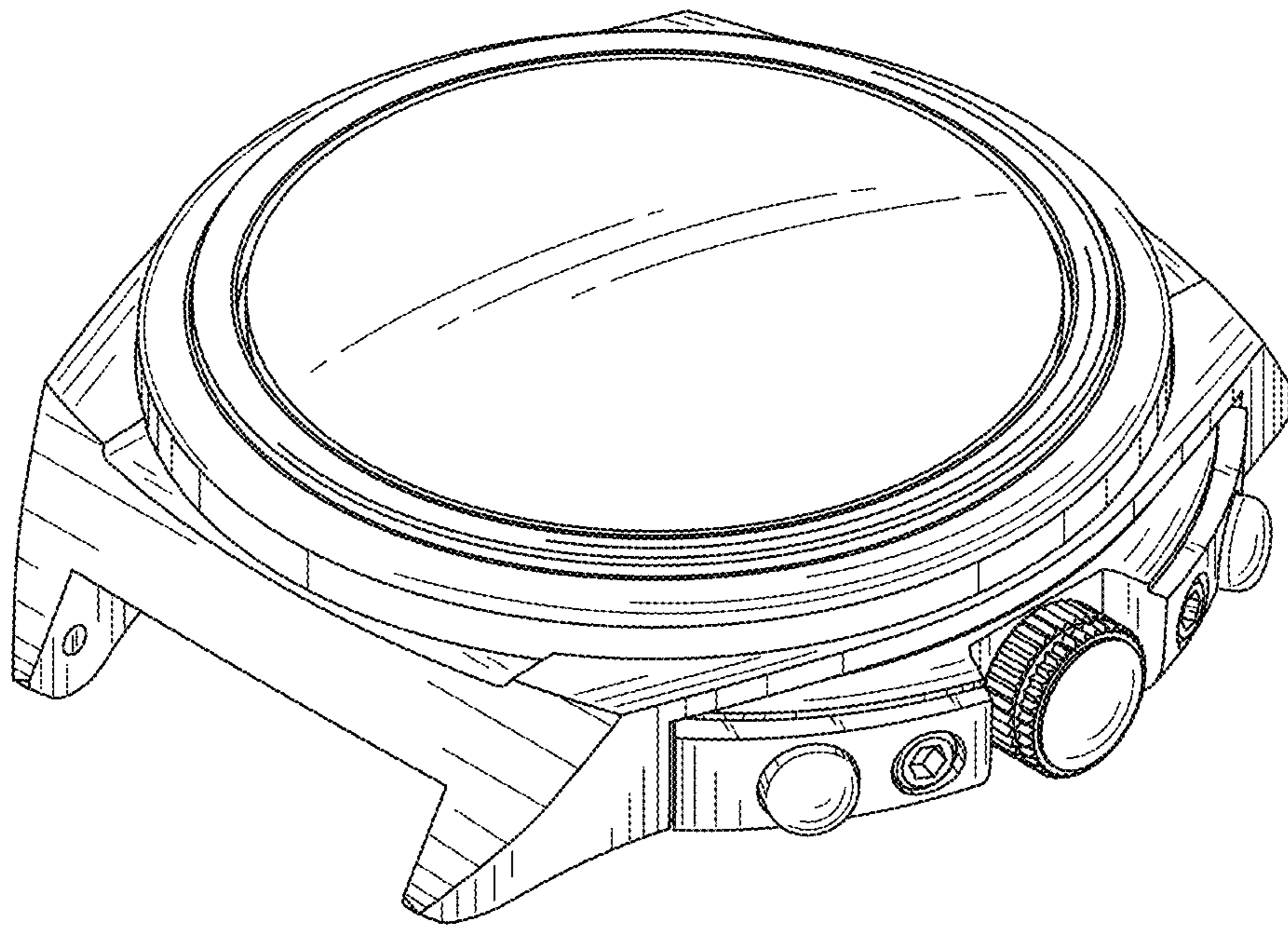


FIG.2

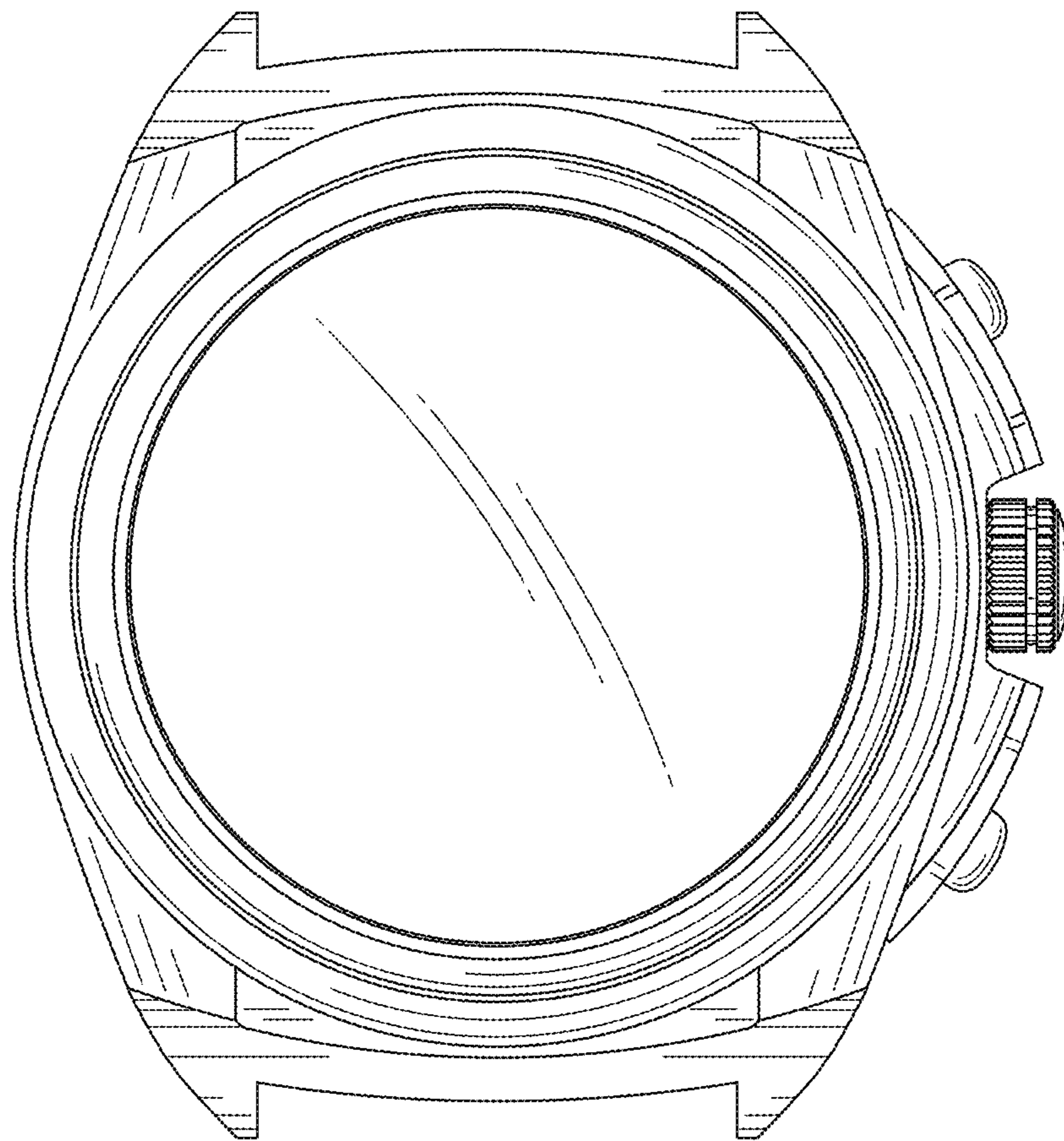


FIG.3

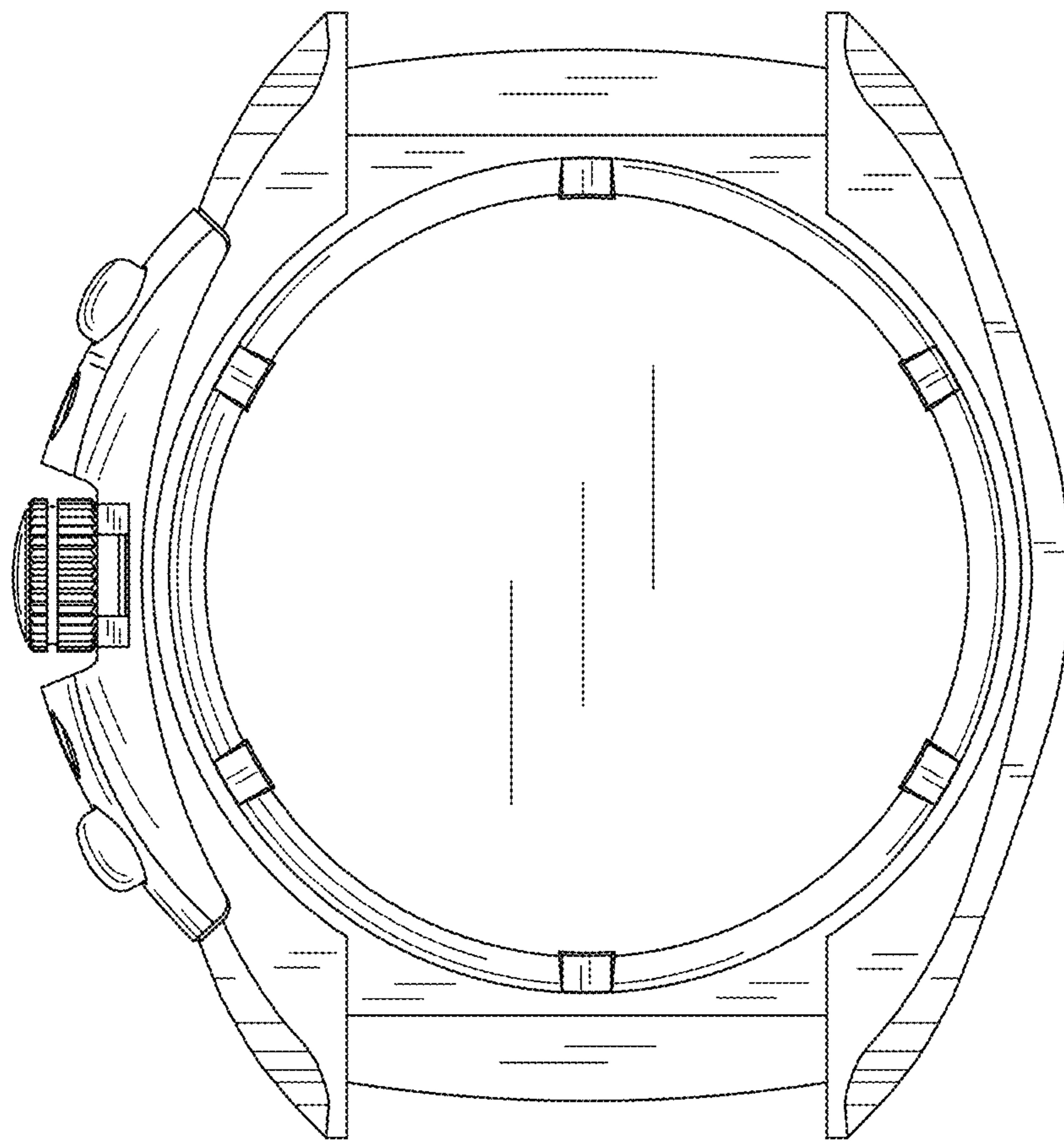


FIG.4

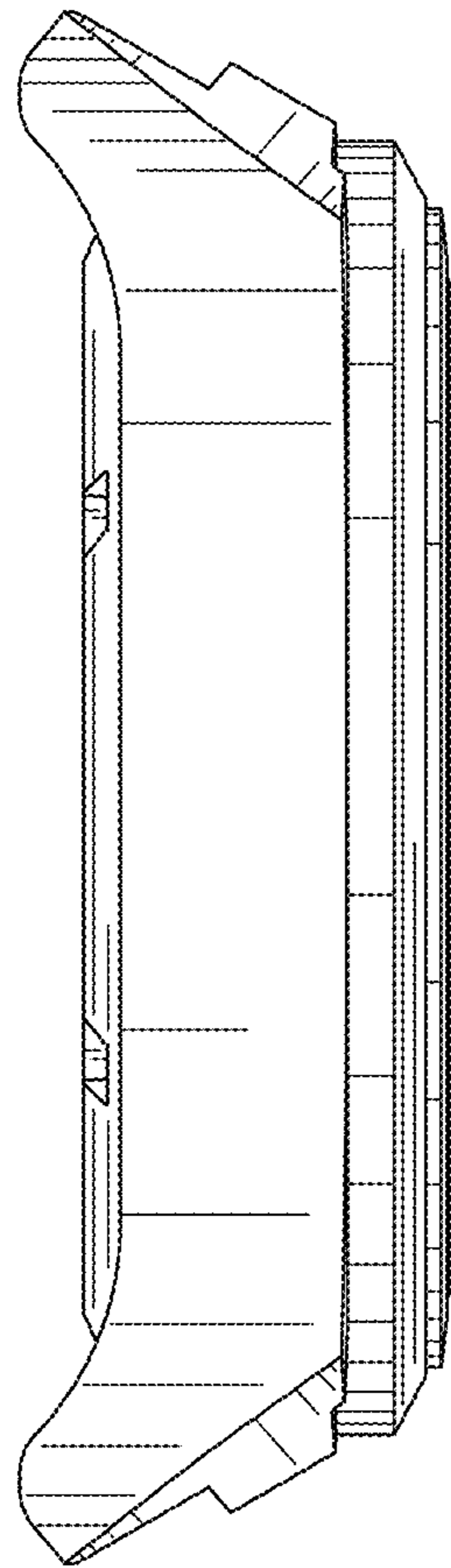


FIG.5

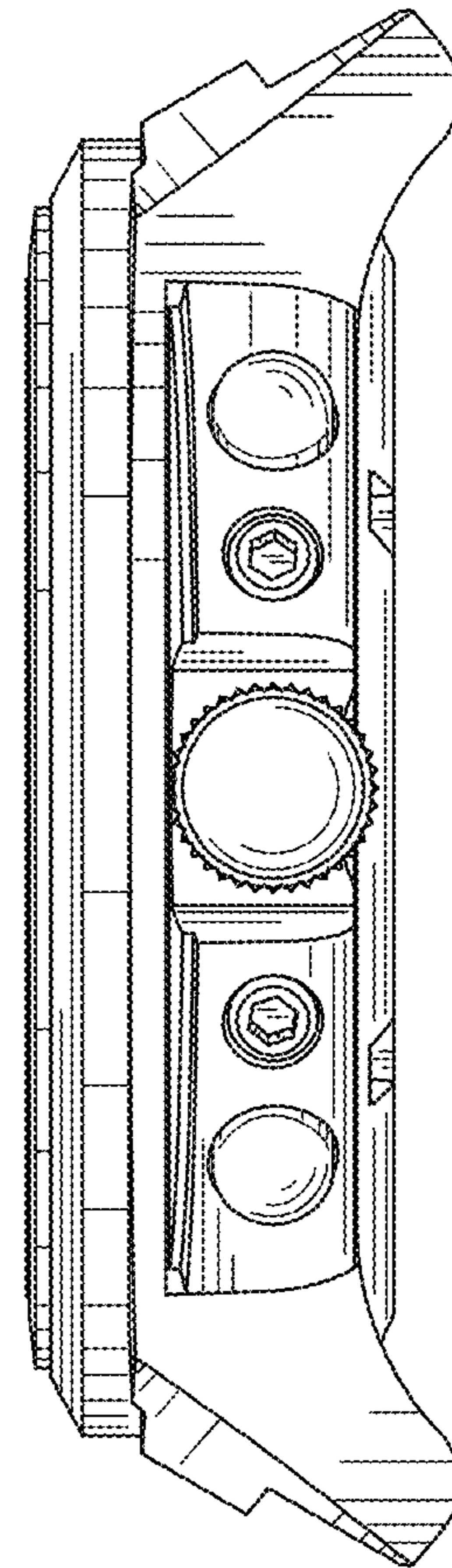


FIG.6

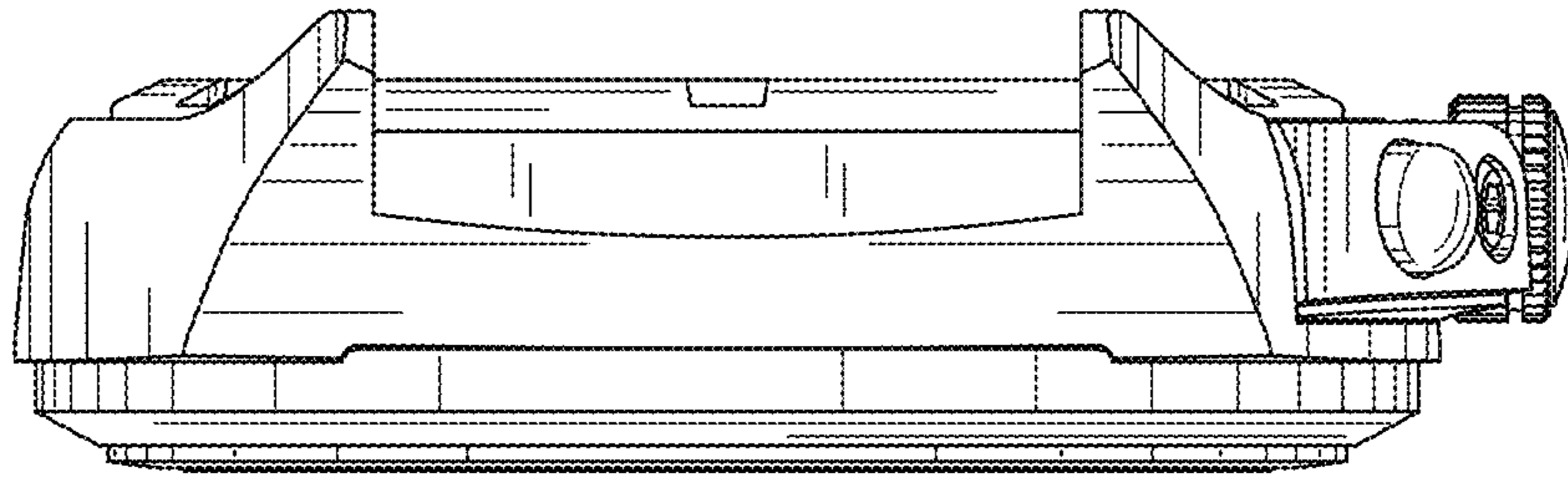


FIG.7

