



US00D784164S

(12) **United States Design Patent**  
**Toth et al.**

(10) **Patent No.:** **US D784,164 S**  
(45) **Date of Patent:** **\*\* Apr. 18, 2017**

- (54) **CONTAINER**
- (71) Applicants: **Mary Kathryn Toth**, Ann Arbor, MI (US); **Jeffery A. Worster**, Yorkville, IL (US)
- (72) Inventors: **Mary Kathryn Toth**, Ann Arbor, MI (US); **Jeffery A. Worster**, Yorkville, IL (US)
- (73) Assignee: **B&G Foods North America, Inc.**, Parsippany, NJ (US)
- (\*\*) Term: **14 Years**
- (21) Appl. No.: **29/522,086**
- (22) Filed: **Mar. 27, 2015**
- (51) **LOC (10) Cl.** ..... **09-01**
- (52) **U.S. Cl.**  
USPC ..... **D9/733; D6/515**
- (58) **Field of Classification Search**  
USPC ..... D9/414, 420, 422, 424, 430, 431, 499, D9/730, 733, 734, 737, 756, 759; D3/201, 304, 315; D6/515, 518, 519, D6/521, 522, 523, 545; D7/629, 631, D7/632; 206/205, 507, 223, 569, 605, 206/722, 723, 725, 371; 221/25, 33, 36, 221/45, 46, 47, 48, 52, 71, 72, 197, 199, 221/255, 259, 305, 309  
CPC ..... B65D 85/00; B65D 81/00; B65D 81/22; B65D 83/0805; A47K 2010/3266; A47K 10/42; A47K 10/426; G07F 11/00  
See application file for complete search history.

- 3,235,318 A \* 2/1966 Rosenberg ..... A47F 1/08 312/42
- 4,186,866 A \* 2/1980 Zicko ..... B65D 5/722 229/122.1
- 4,284,204 A \* 8/1981 Carey, Jr. .... B65D 11/12 206/1.5
- D270,617 S \* 9/1983 Skowronski ..... D9/415
- 4,801,045 A \* 1/1989 Barnhart ..... A47F 1/08 221/305
- D302,949 S \* 8/1989 Eisendrath ..... D9/733
- D309,262 S \* 7/1990 Coiner ..... D9/418
- D321,134 S \* 10/1991 Toinet ..... D9/733
- D327,014 S \* 6/1992 Heller ..... D34/6
- D332,854 S \* 1/1993 Waterston ..... D34/10
- D335,032 S \* 4/1993 Durkin, III ..... D4/199
- 5,407,094 A \* 4/1995 Vajtay ..... A47F 1/08 221/155
- 5,476,190 A \* 12/1995 Herrmann ..... G07F 17/42 221/197
- 5,878,884 A 3/1999 Mayled  
(Continued)

*Primary Examiner* — Derrick Holland  
*Assistant Examiner* — Lauren Calve  
(74) *Attorney, Agent, or Firm* — K&L Gates LLP

(57) **CLAIM**

The ornamental design for a container, as shown and described.

**DESCRIPTION**

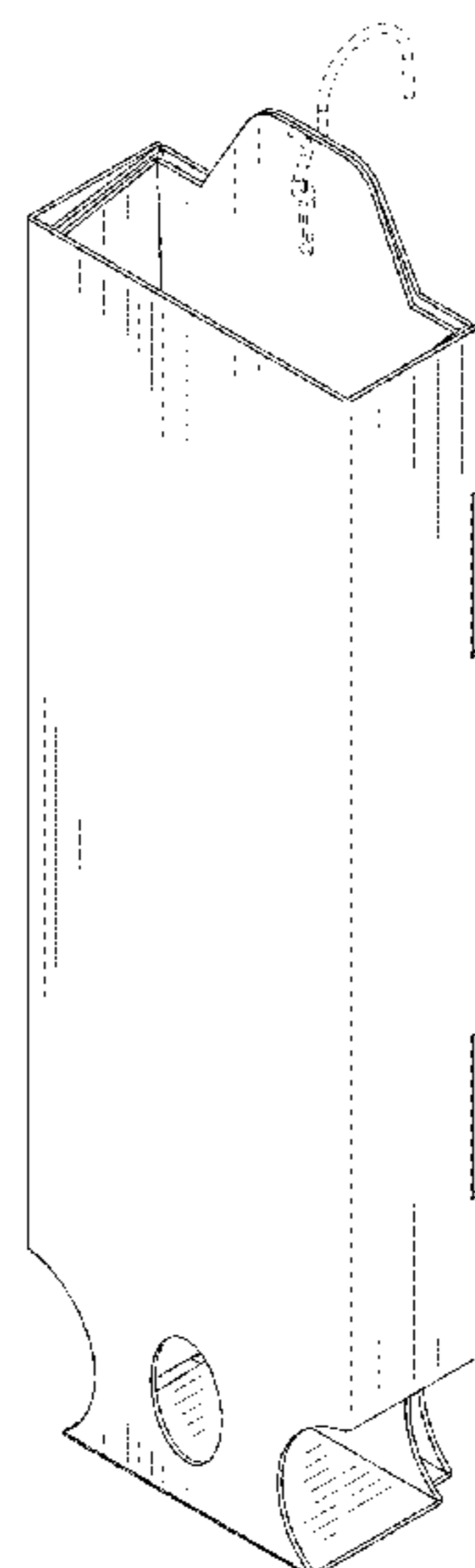
FIG. 1 is a top perspective view of a container, showing our new design;  
FIG. 2 is a top perspective exploded view thereof;  
FIG. 3 is a front exploded view thereof;  
FIG. 4 is a rear exploded view thereof;  
FIG. 5 is a right exploded view thereof;  
FIG. 6 is a left exploded view thereof;  
FIG. 7 is a top exploded view thereof; and,  
FIG. 8 is a bottom exploded view thereof.  
The broken lines shown represent unclaimed subject matter and form no part of the claimed design.

(56) **References Cited**

U.S. PATENT DOCUMENTS

- 949,223 A \* 2/1910 Dunning ..... 221/197
- 2,595,202 A \* 4/1952 Pardee ..... B65D 5/4204 206/806

**1 Claim, 4 Drawing Sheets**



(56)

References Cited

U.S. PATENT DOCUMENTS

D411,104 S *	6/1999	Simile-Gravina	.....	D9/733	D684,457 S *	6/2013	Salow	.....	D9/415
D422,169 S *	4/2000	Stephan	.....	D6/515	8,584,843 B2	11/2013	Hillard		
6,059,113 A	5/2000	Hodges			8,607,987 B2	12/2013	Oja et al.		
6,168,020 B1	1/2001	Niedzwiedz			8,887,952 B2	11/2014	Spivey		
6,484,903 B2	11/2002	Spivey et al.			8,936,158 B2	1/2015	Salow et al.		
6,578,736 B2	6/2003	Spivey			D749,944 S *	2/2016	Kummerfeldt	.....	D9/432
6,637,594 B1	10/2003	Bucknell			D752,425 S *	3/2016	Parthenis, Jr.	.....	D9/414
6,715,639 B2	4/2004	Spivey			2004/0108372 A1 *	6/2004	Porcano	.....	A47F 5/0087 229/125.11
6,902,062 B1	6/2005	Kumakura et al.			2006/0243683 A1	11/2006	Onachilla et al.		
6,915,907 B2	7/2005	Myers			2006/0289334 A1	12/2006	Lechelle et al.		
7,059,494 B2	6/2006	Harrelson et al.			2006/0289336 A1 *	12/2006	Ford	.....	B65D 11/12 206/779
7,100,798 B2	9/2006	Spivey			2007/0039840 A1 *	2/2007	Mu	.....	B65D 5/38 206/278
D584,605 S *	1/2009	Hedlund	.....	D9/415	2007/0181458 A1 *	8/2007	Ehrlund	.....	B65D 5/38 206/528
7,523,842 B2	4/2009	Spivey			2010/0252479 A1	10/2010	Corroon		
7,617,968 B2	11/2009	Mertz			2011/0127289 A1	6/2011	Workman		
7,708,142 B2	5/2010	Ehrlund			2012/0102895 A1	5/2012	Scott et al.		
7,832,624 B2	11/2010	Kong			2013/0075302 A1	3/2013	Bucknell		
7,946,451 B2	5/2011	Spivey			2016/0051330 A1 *	2/2016	Cosentino, II	.....	A61B 19/045 221/45
8,066,121 B2 *	11/2011	Sack	.....	B65D 75/327 206/531					
8,123,072 B2	2/2012	Spivey							

\* cited by examiner

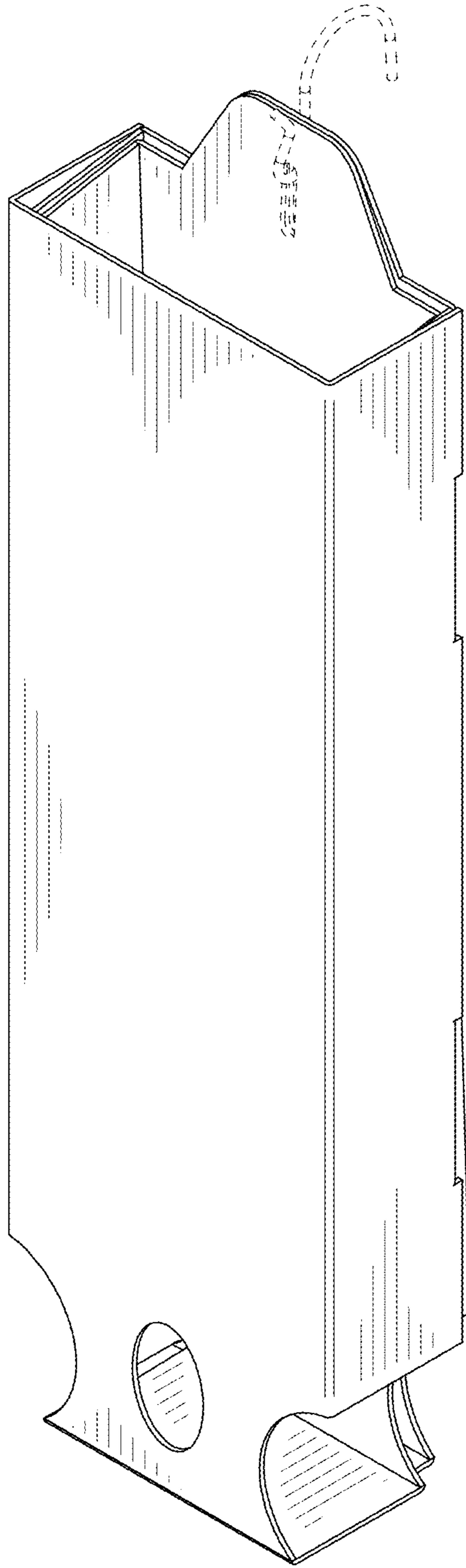


FIG 1

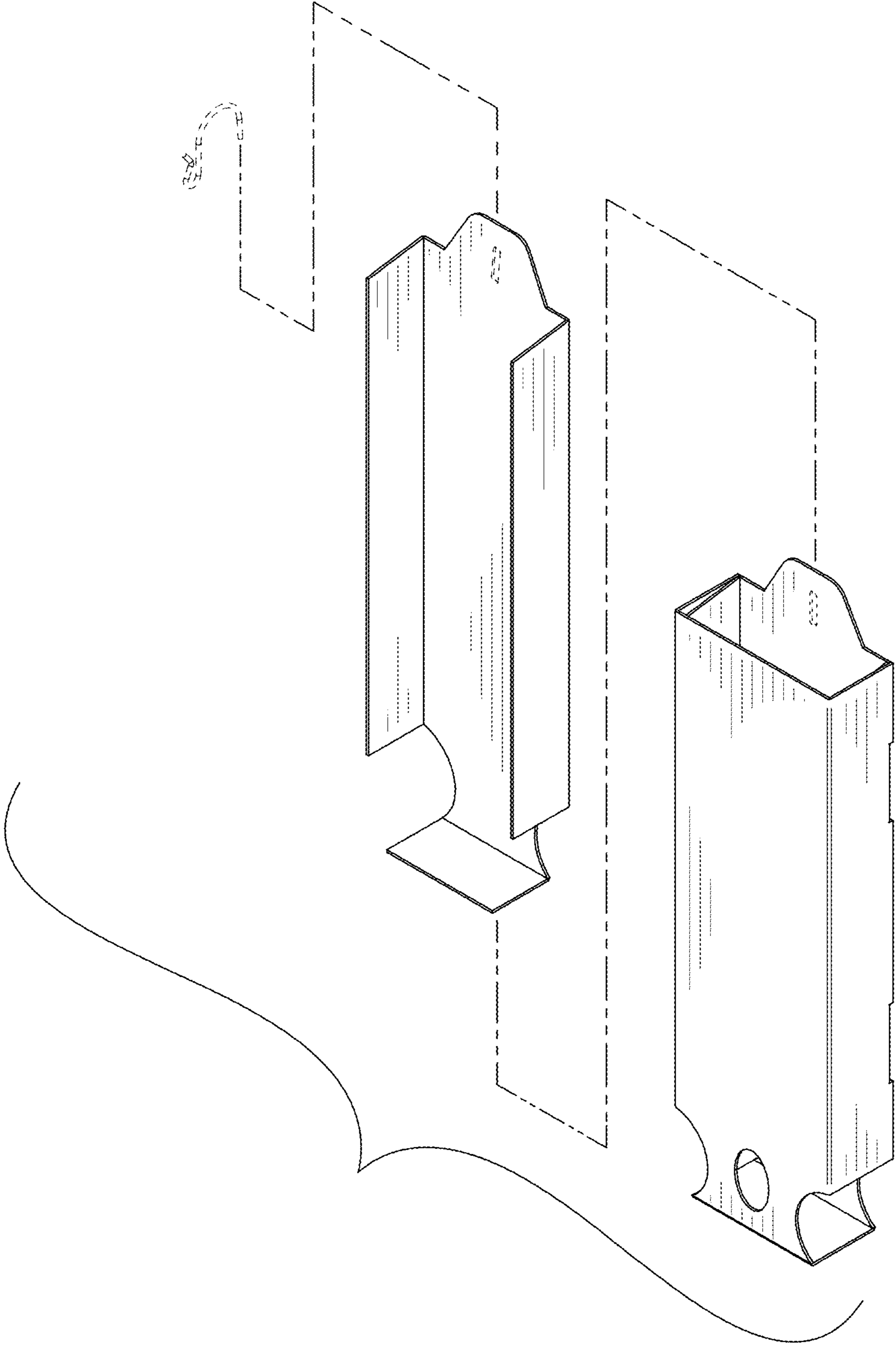


FIG 2

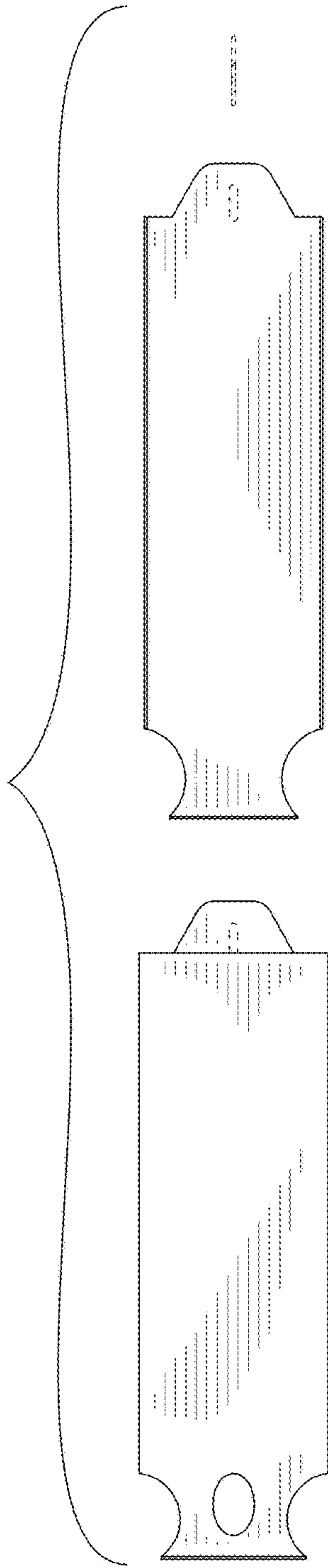


FIG 3

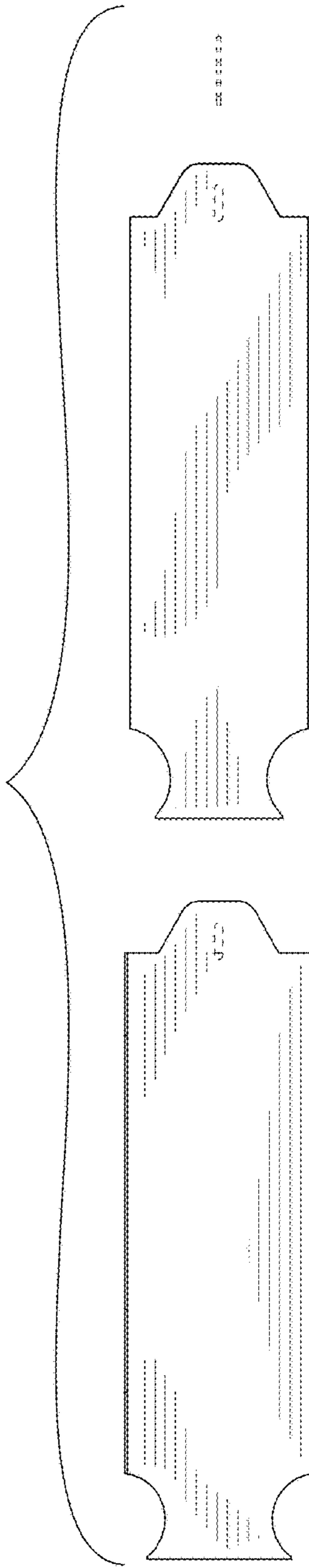


FIG 4



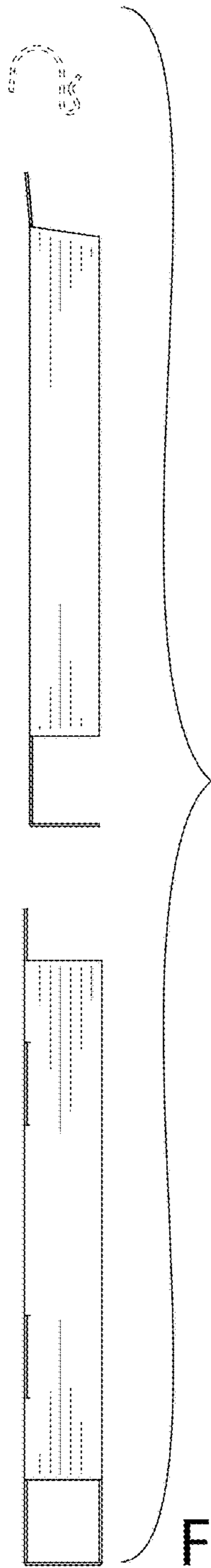


FIG 5

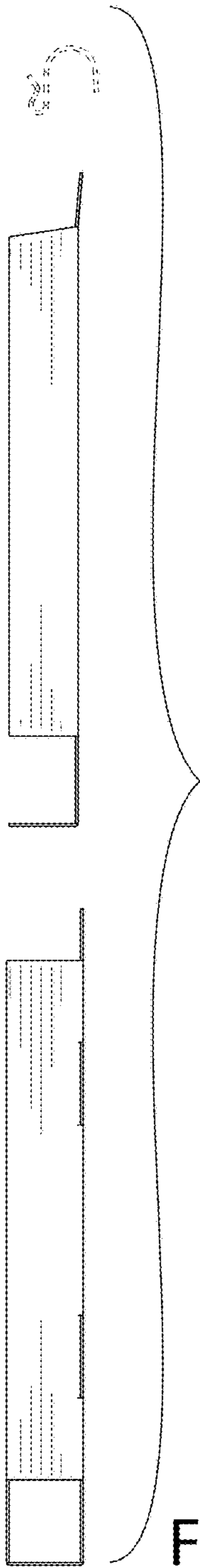


FIG 6

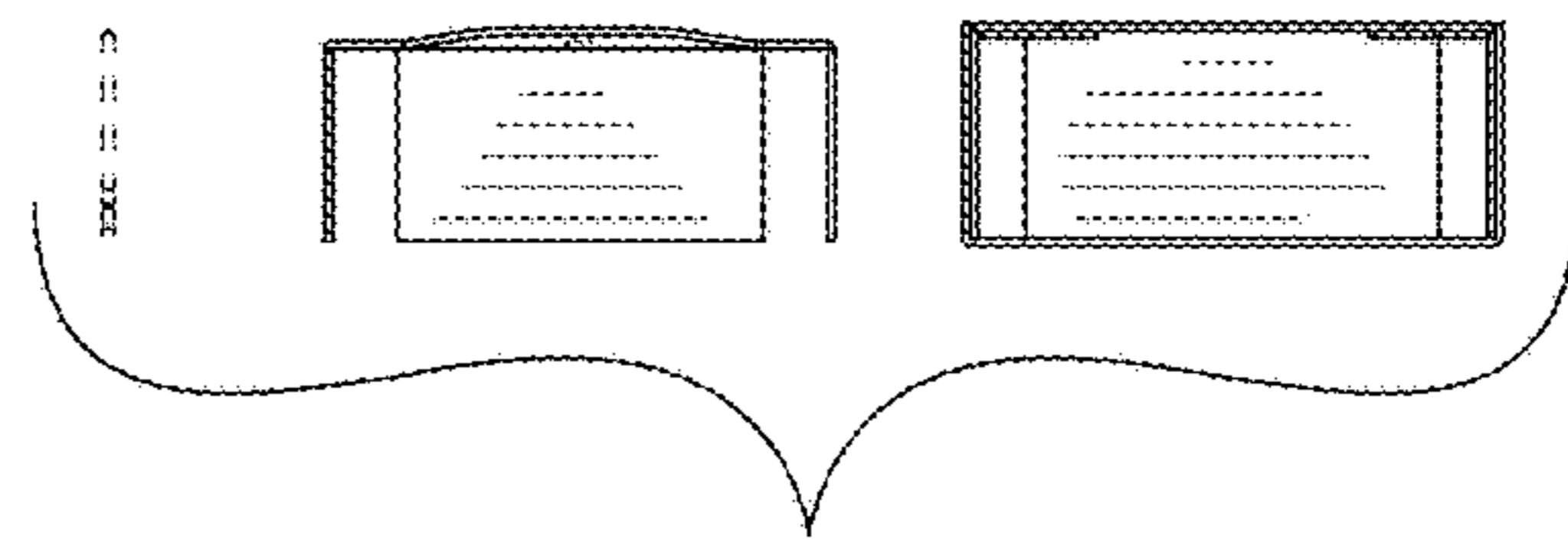


FIG 7

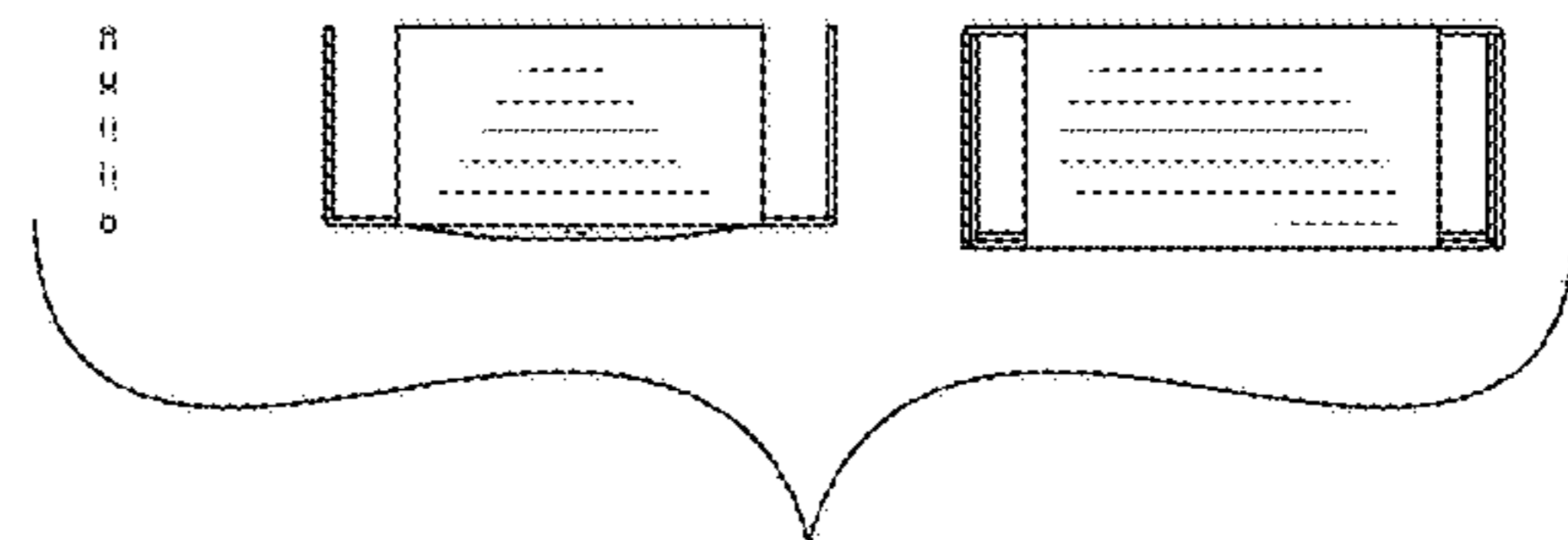


FIG 8