



US00D784163S

(12) **United States Design Patent** (10) **Patent No.:** **US D784,163 S**
McCormack et al. (45) **Date of Patent:** **** Apr. 18, 2017**

(54) **COSMETIC CONTAINER AND SOLID FORMULATION**

(71) Applicants: **Bayer HealthCare LLC**, Whippany, NJ (US); **OraLabs, Inc.**, Parker, CO (US)

(72) Inventors: **Kimberly McCormack**, Summit, NJ (US); **Chris P. Turner**, Parker, CO (US); **Gary Schlatter**, Parker, CO (US)

(73) Assignees: **Bayer HealthCare LLC**, Whippany, NJ (US); **OraLabs, Inc.**, Parker, CO (US)

(**) Term: **15 Years**

(21) Appl. No.: **29/564,044**

(22) Filed: **May 10, 2016**

(51) **LOC (10) Cl.** **09-01**

(52) **U.S. Cl.**
USPC **D9/729**

(58) **Field of Classification Search**
USPC D9/516, 542, 715, 719, 721, 727, 729;
D28/4, 9, 73, 76, 82; D23/366
CPC A45D 34/04; A45D 2200/1018; A45D 40/06; A45D 34/045; A45D 40/00; A45D 40/18; A45D 40/02; A45D 40/205; A45D 2200/051; A45D 2040/208; A45D 34/06; A45D 2200/053; A45D 33/26; A45D 40/12; A45D 2040/204; A45D 40/0075; Y10S 206/823; B65D 47/42; B65D 83/0011; B65D 2543/00296; B65D 83/0805; B65D 1/0223; B65D 75/366; B65D 35/36; B65D 65/38; B65D 83/00; B65D 51/18

See application file for complete search history.

(56) **References Cited**

U.S. PATENT DOCUMENTS

D262,265 S * 12/1981 Hadtke D9/424
D292,484 S * 10/1987 Keeler D9/573

D292,775 S * 11/1987 Keeler D9/729
D333,977 S * 3/1993 Gatrost D9/529
D379,931 S * 6/1997 Crawford D9/540
D414,690 S * 10/1999 Hutchinson D9/729
D415,021 S * 10/1999 Hutchinson D9/729
6,030,138 A * 2/2000 Losier B65D 47/42
401/196
D427,059 S * 6/2000 Gebb D9/729
D427,520 S * 7/2000 Crawford D9/728
D427,521 S * 7/2000 Smith D9/727

(Continued)

Primary Examiner — Derrick Holland

Assistant Examiner — Lauren Calve

(74) *Attorney, Agent, or Firm* — Lowenstein Sandler LLP

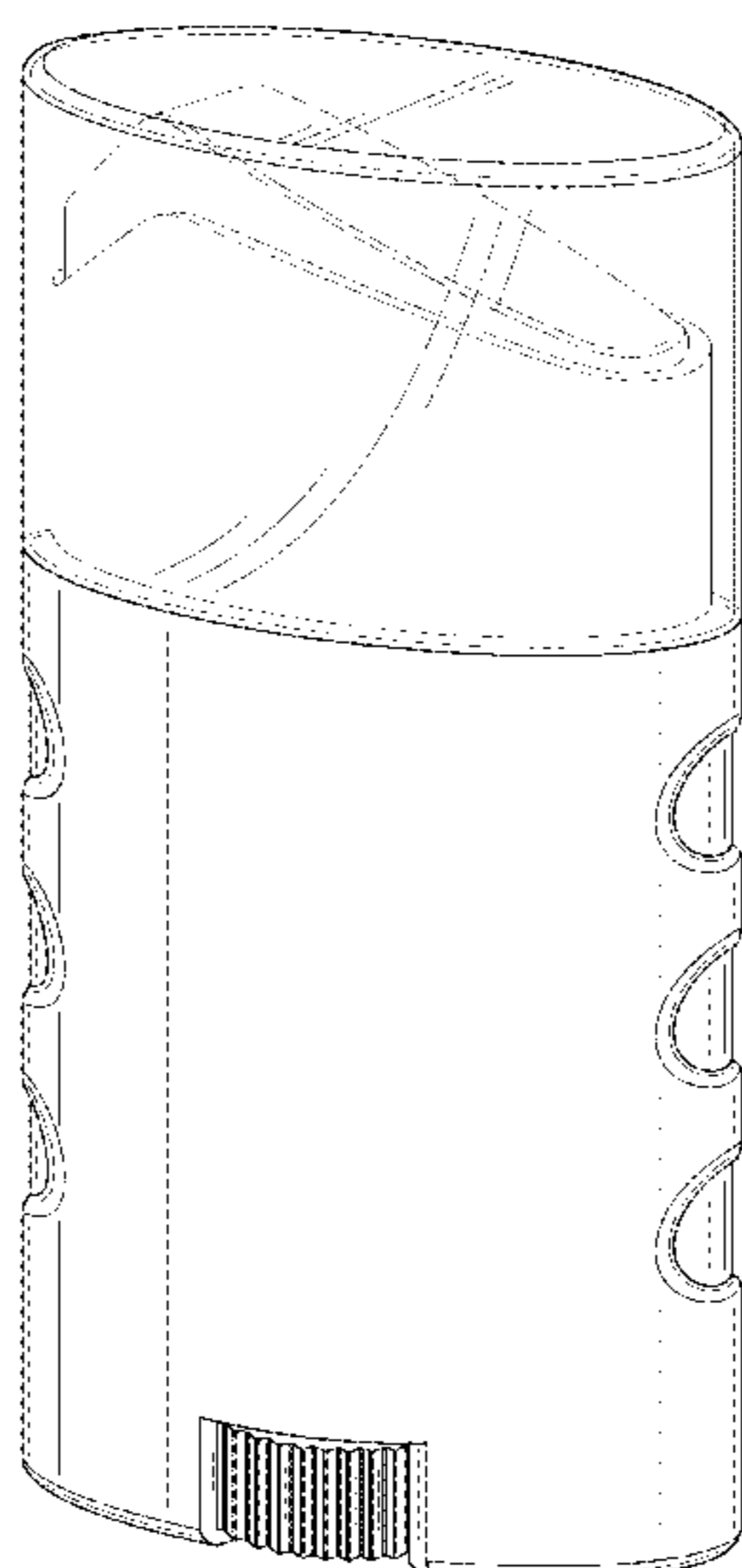
(57) **CLAIM**

The ornamental design for a cosmetic container and solid formulation, as shown and described.

DESCRIPTION

FIG. 1 is a perspective view of a cosmetic container and solid formulation according to our new design;
FIG. 2 is a front elevation view thereof;
FIG. 3 is a rear elevation view thereof;
FIG. 4 is a left side elevation view thereof;
FIG. 5 is a right side elevation view thereof;
FIG. 6 is a top plan view thereof;
FIG. 7 is a bottom plan view thereof;
FIG. 8 is a perspective view of the cosmetic container and solid formulation shown without the cap for clarity of illustration;
FIG. 9 is a front elevation view thereof;
FIG. 10 is a back elevation view thereof;
FIG. 11 is a left side elevation view thereof;
FIG. 12 is a right side elevation view thereof;
FIG. 13 is a top plan view thereof; and,
FIG. 14 is a bottom plan view thereof.

1 Claim, 12 Drawing Sheets



(56)

References Cited

U.S. PATENT DOCUMENTS

6,419,412 B1 * 7/2002 Ostrowski A45D 40/04
222/153.07
D462,431 S * 9/2002 Bunce D23/366
D474,963 S * 5/2003 Gersten D9/727
D474,964 S * 5/2003 Gersten D9/727
D483,258 S * 12/2003 Cummings D9/729
D494,059 S * 8/2004 Cummings D9/729
D529,818 S * 10/2006 Cummings D9/729
D530,624 S * 10/2006 Cummings D9/729
D540,185 S * 4/2007 Cummings D9/728
D540,186 S * 4/2007 Cummings D9/728
D551,571 S * 9/2007 McConville D9/728
D591,170 S * 4/2009 Lux D9/726
D623,960 S * 9/2010 Kathofer D9/729
D724,444 S * 3/2015 Chavarria D9/729
2007/0177929 A1 * 8/2007 Yuhas A45D 34/04
401/262

* cited by examiner

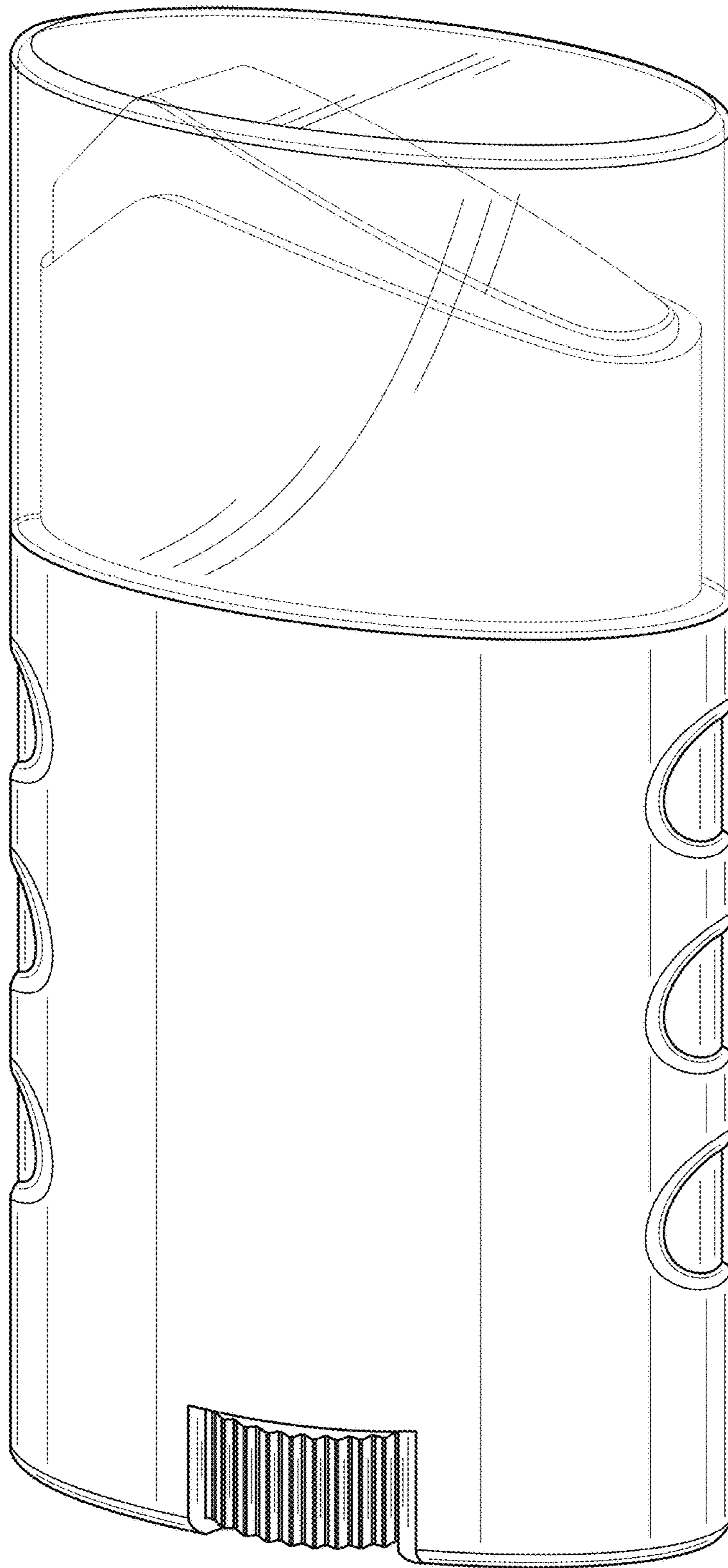


FIG. 1

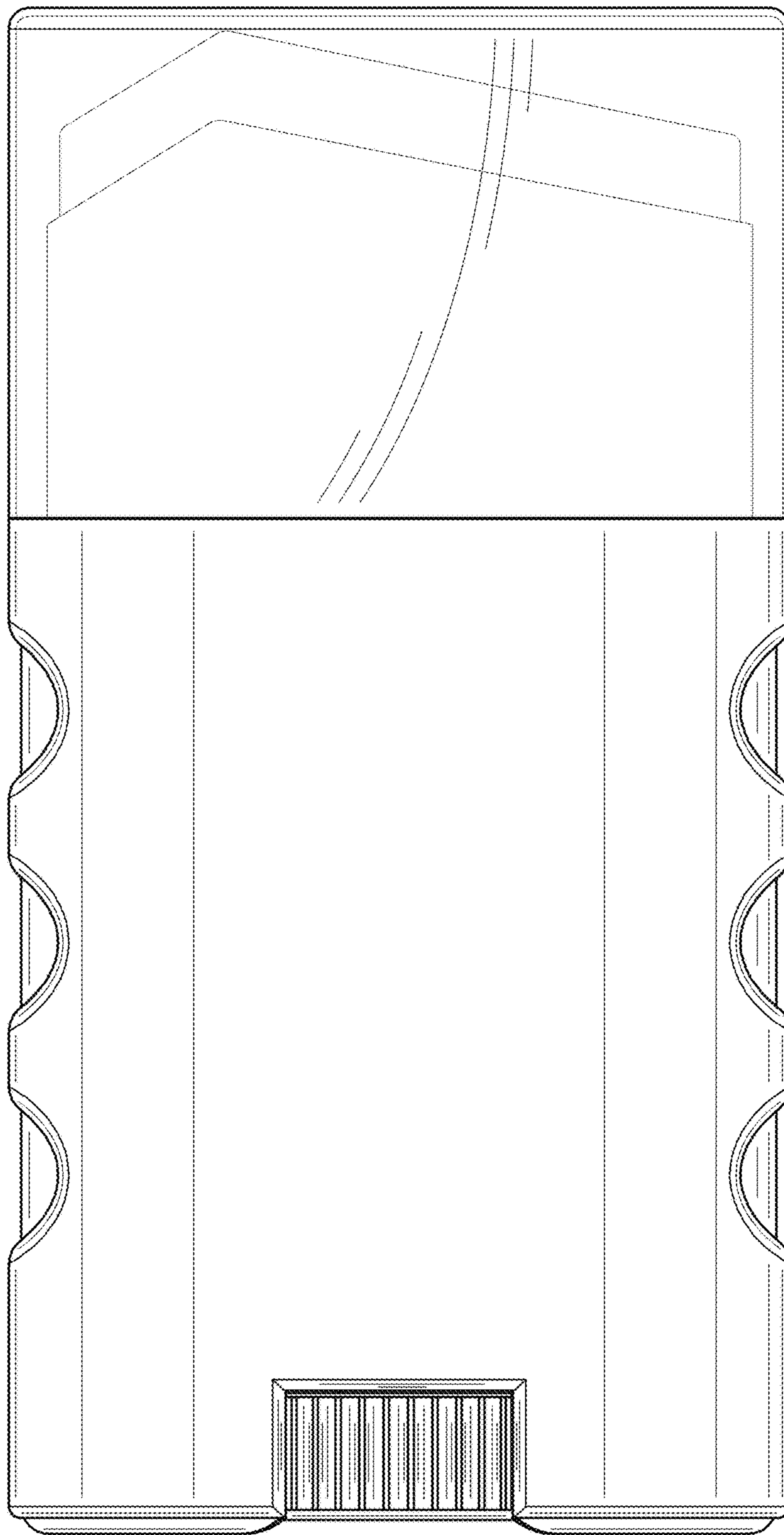


FIG. 2

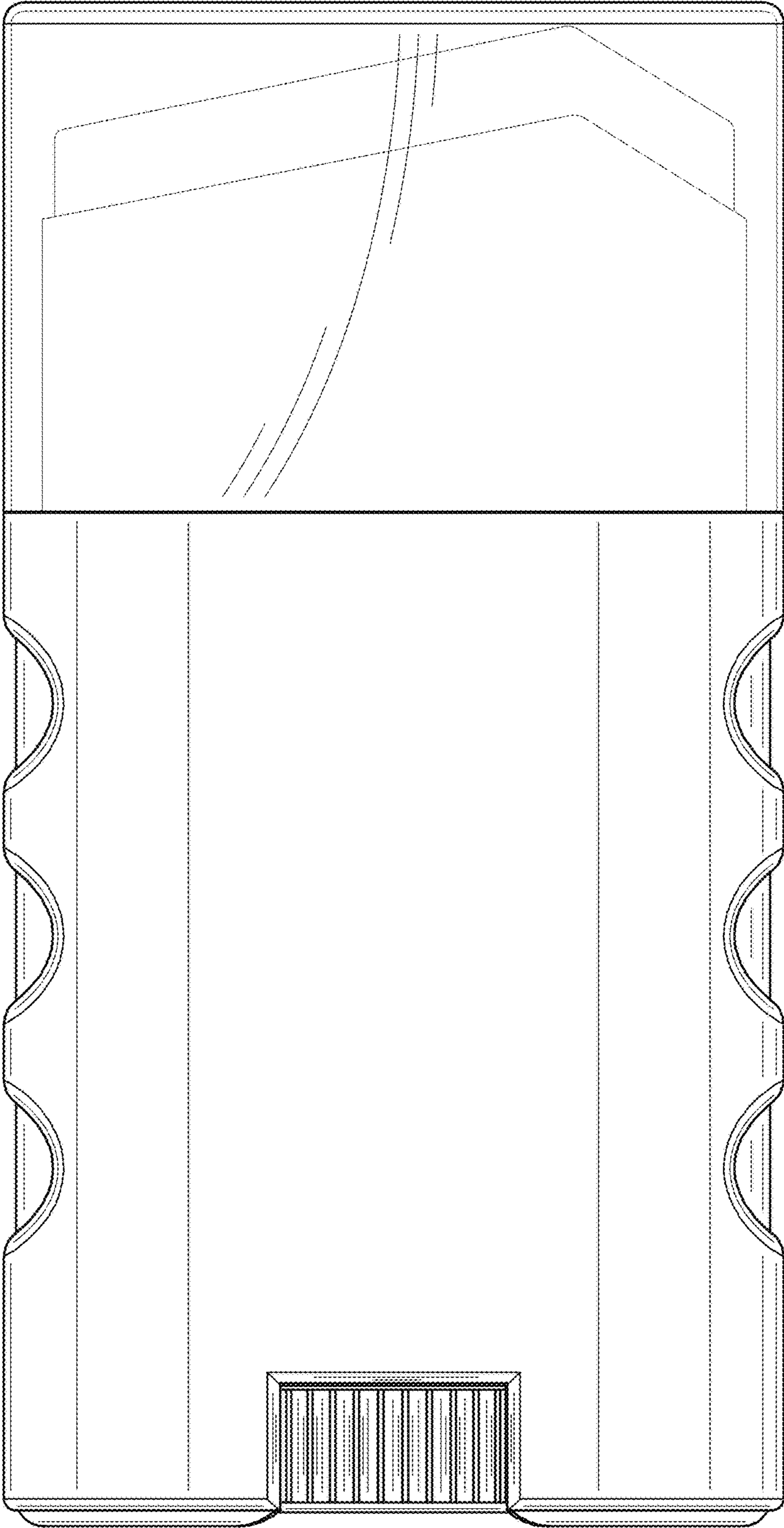


FIG. 3

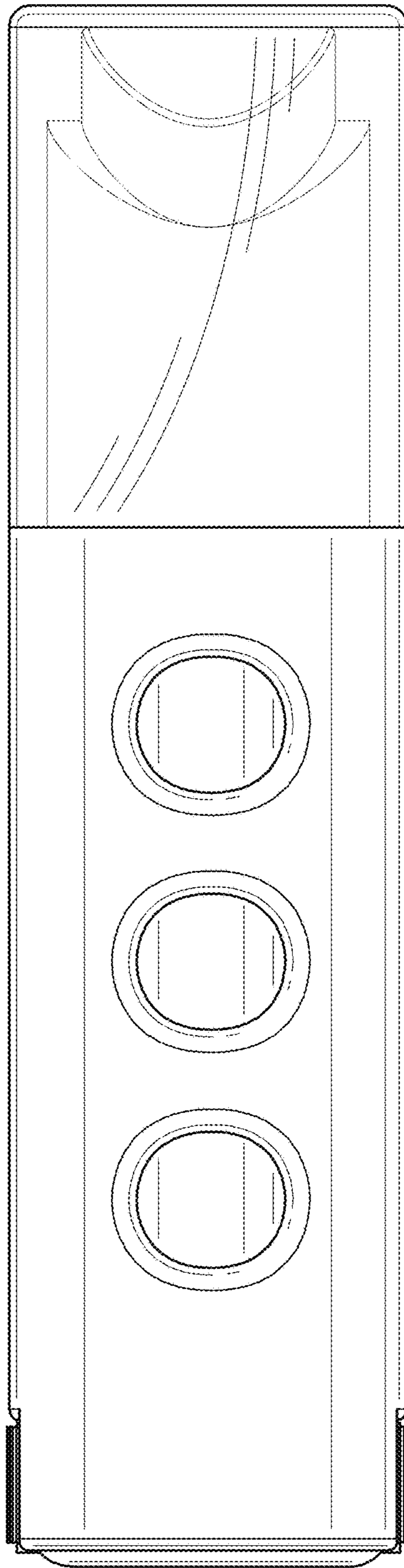


FIG. 4

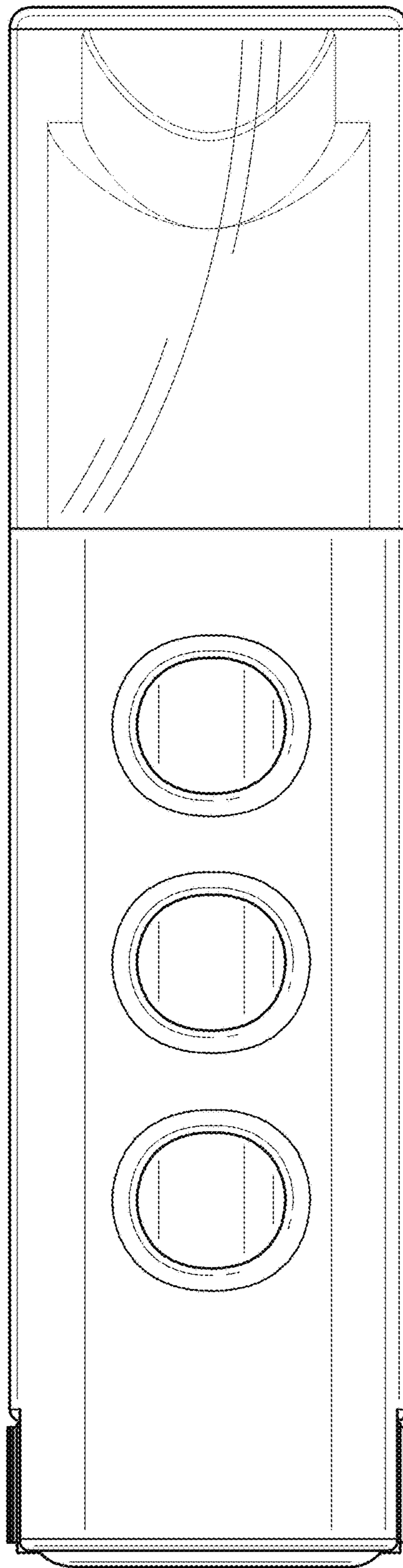


FIG. 5

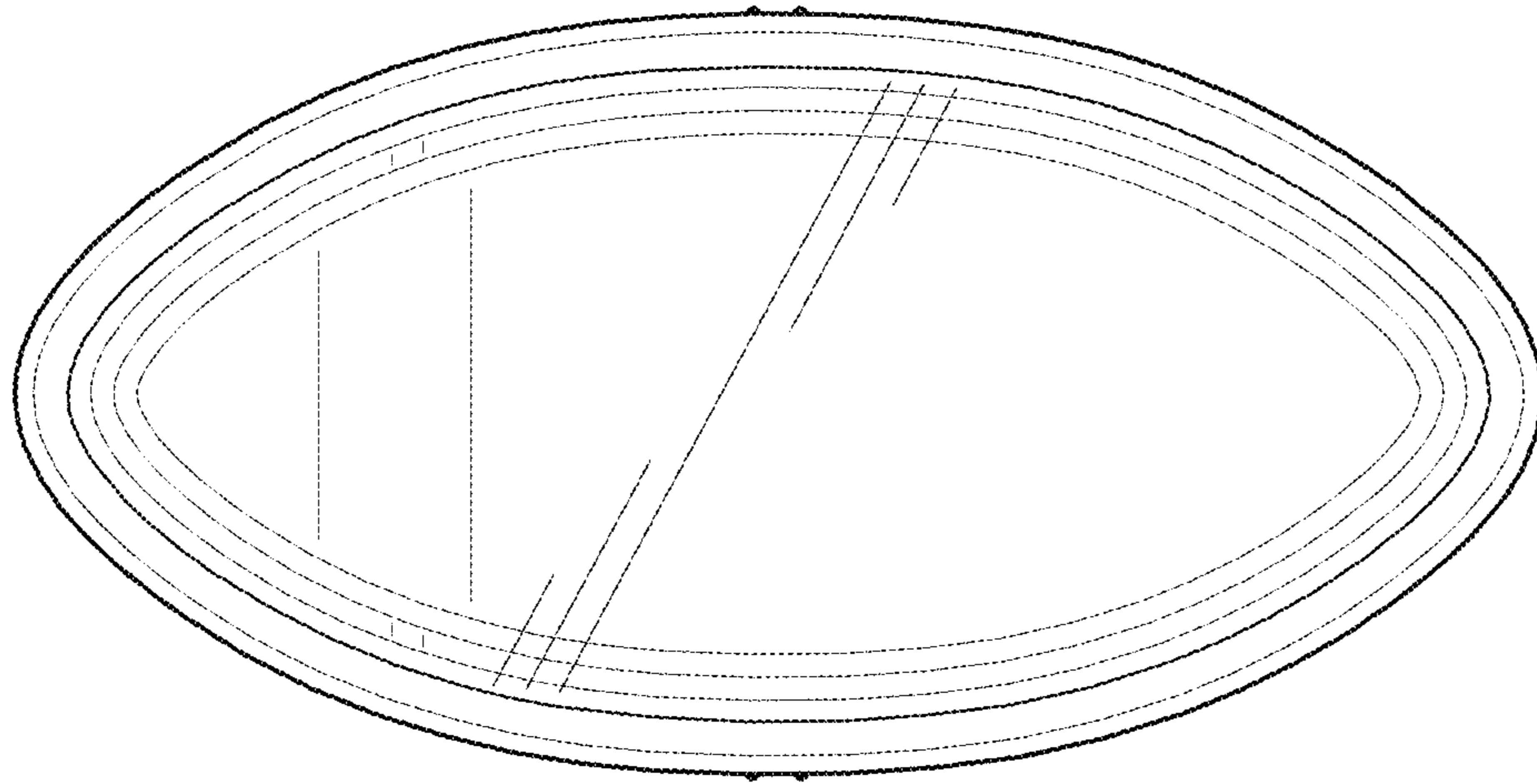


FIG. 6

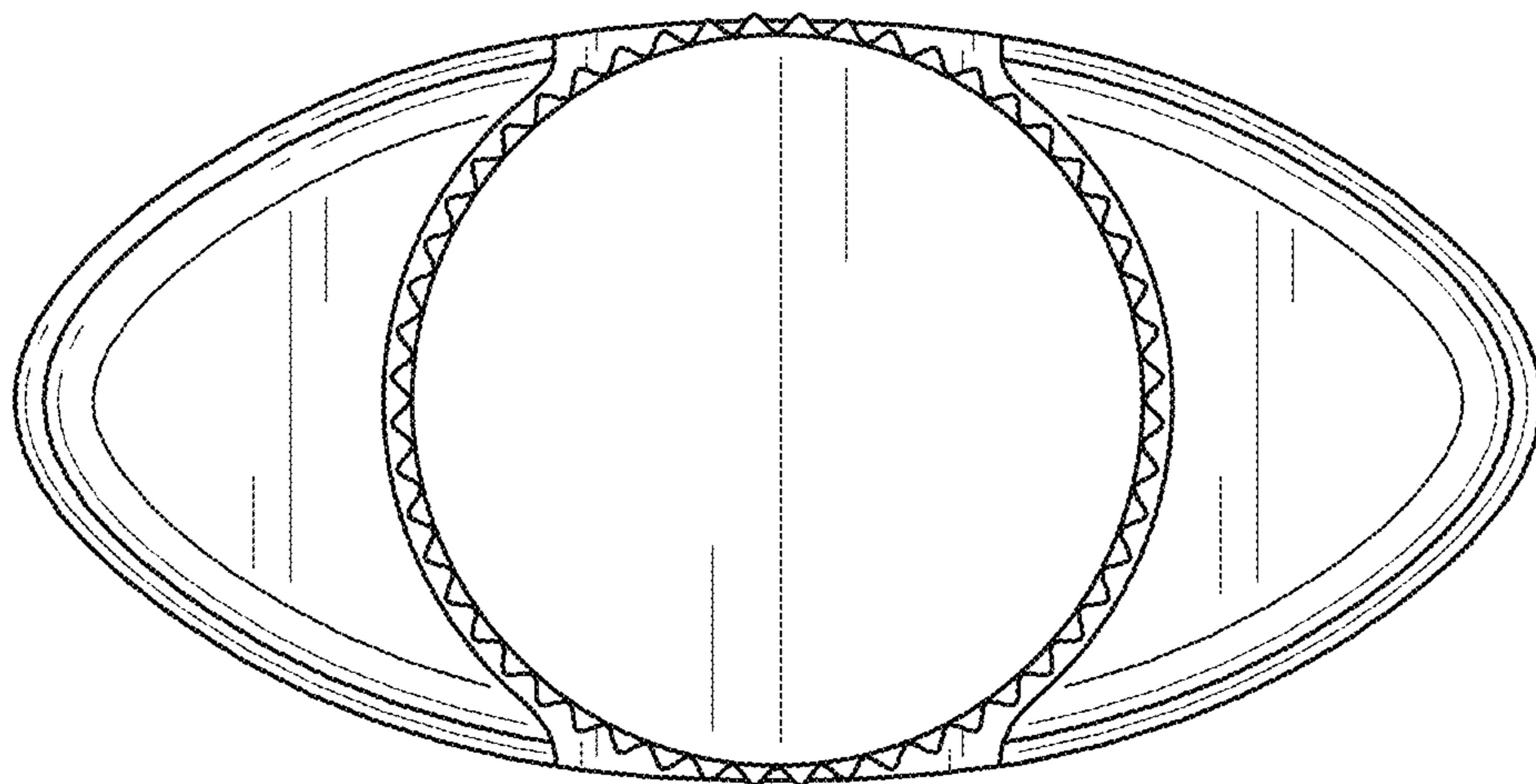


FIG. 7

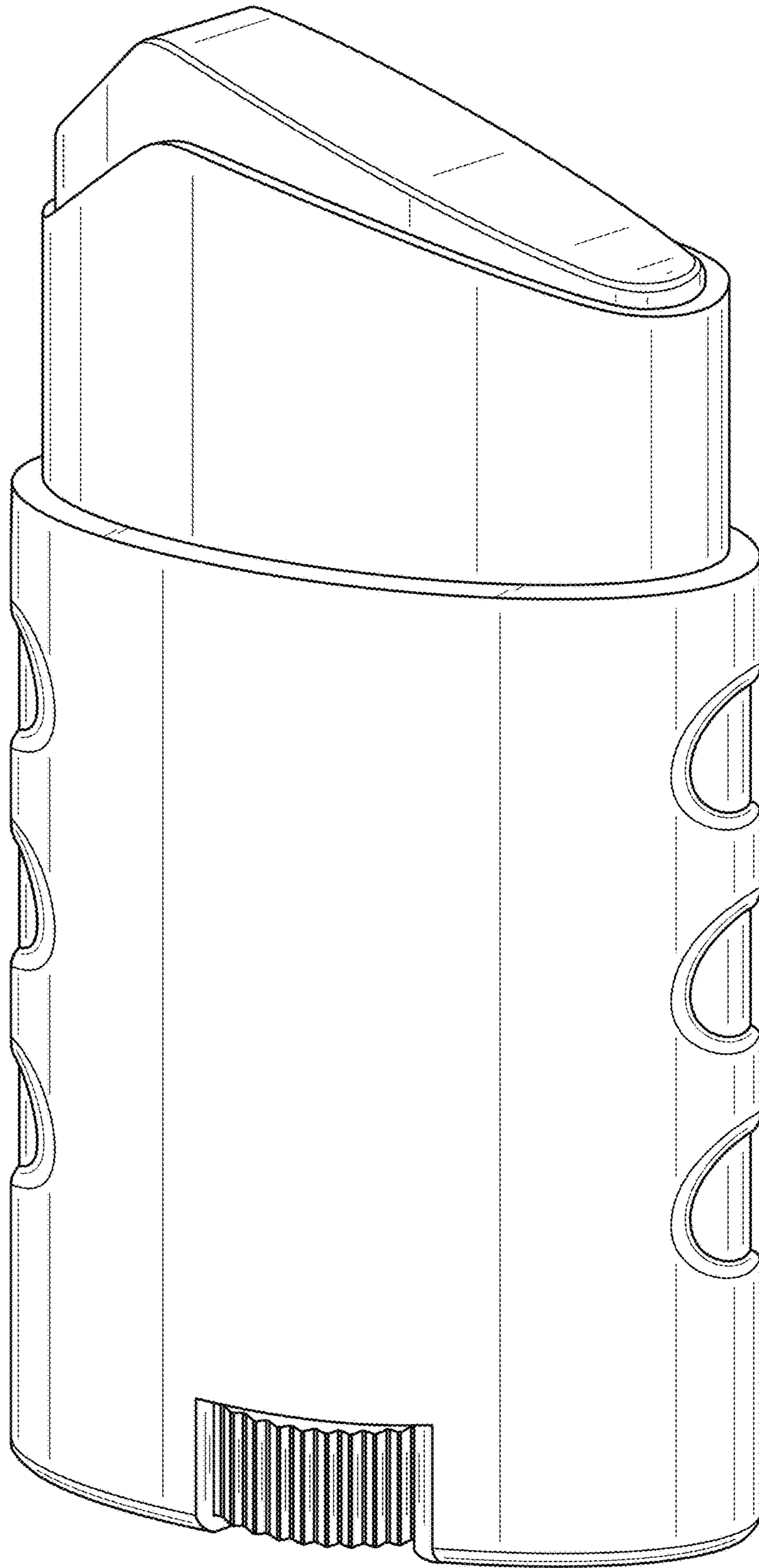


FIG. 8

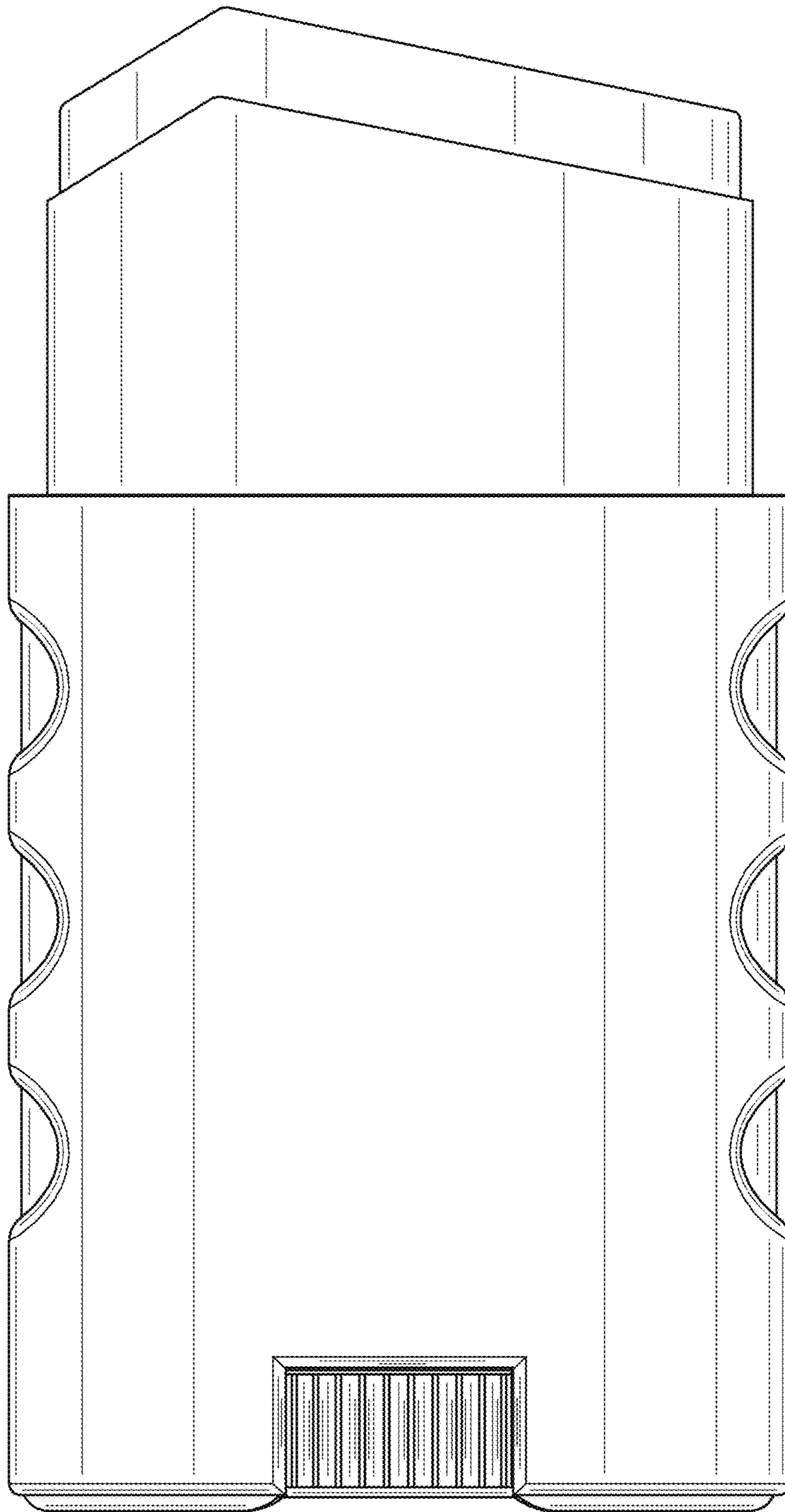


FIG. 9

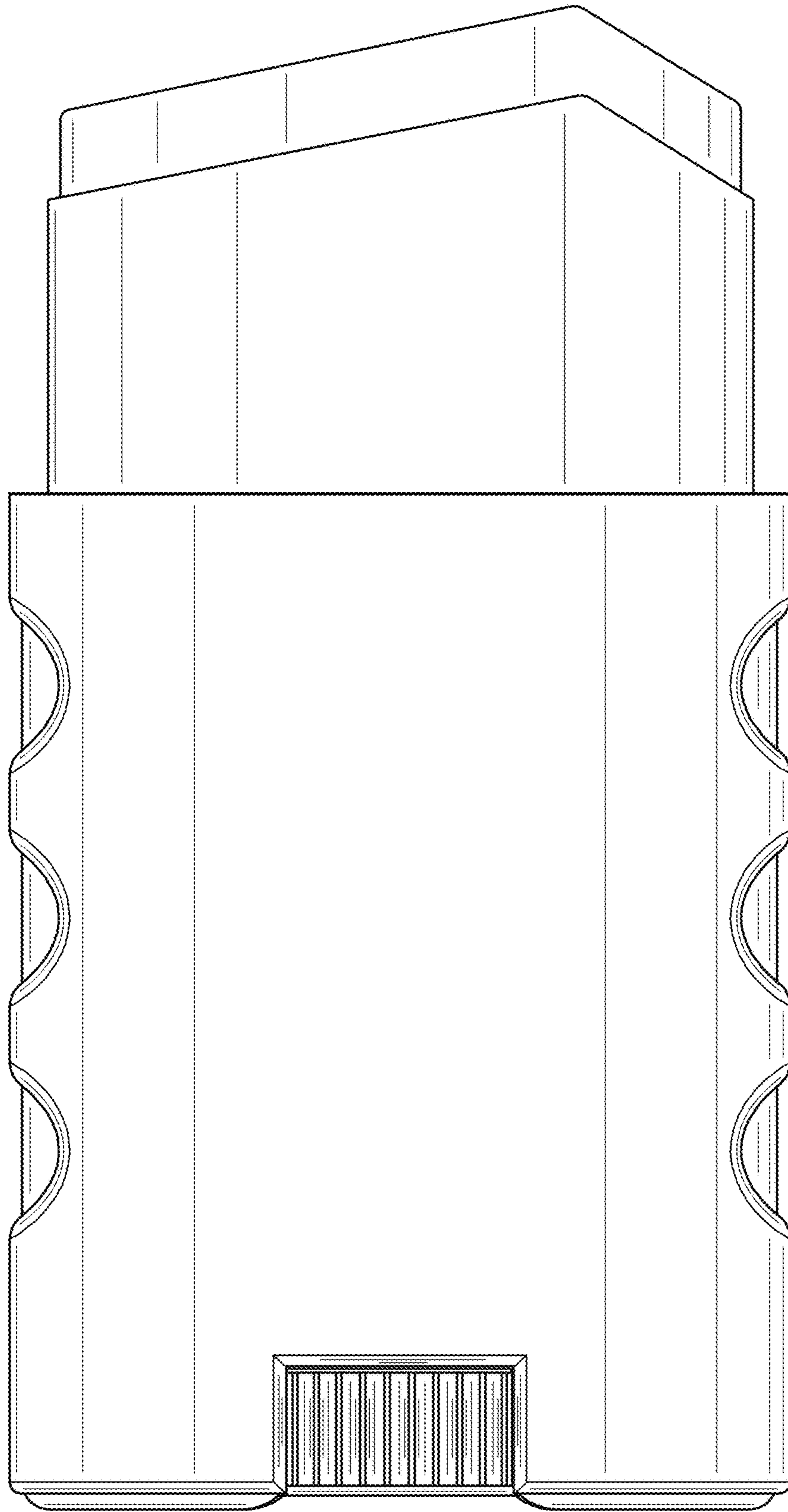


FIG. 10

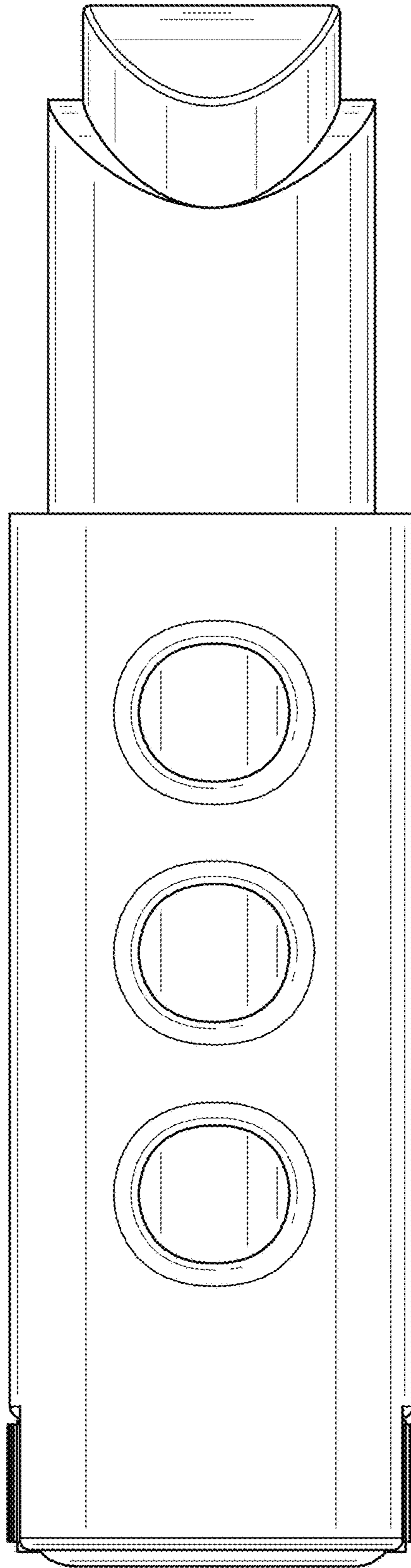


FIG. 11

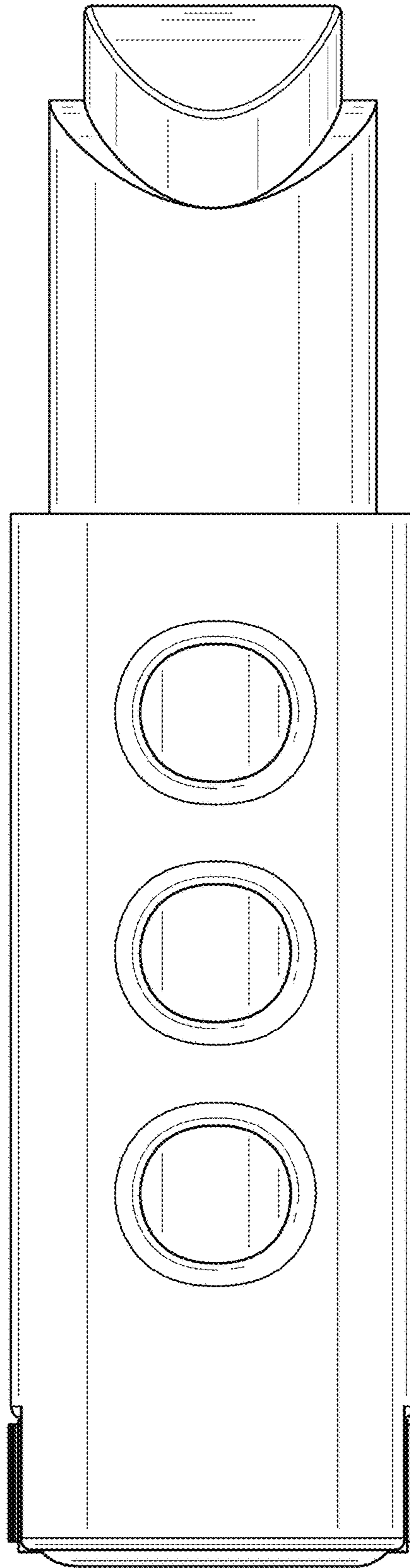


FIG. 12

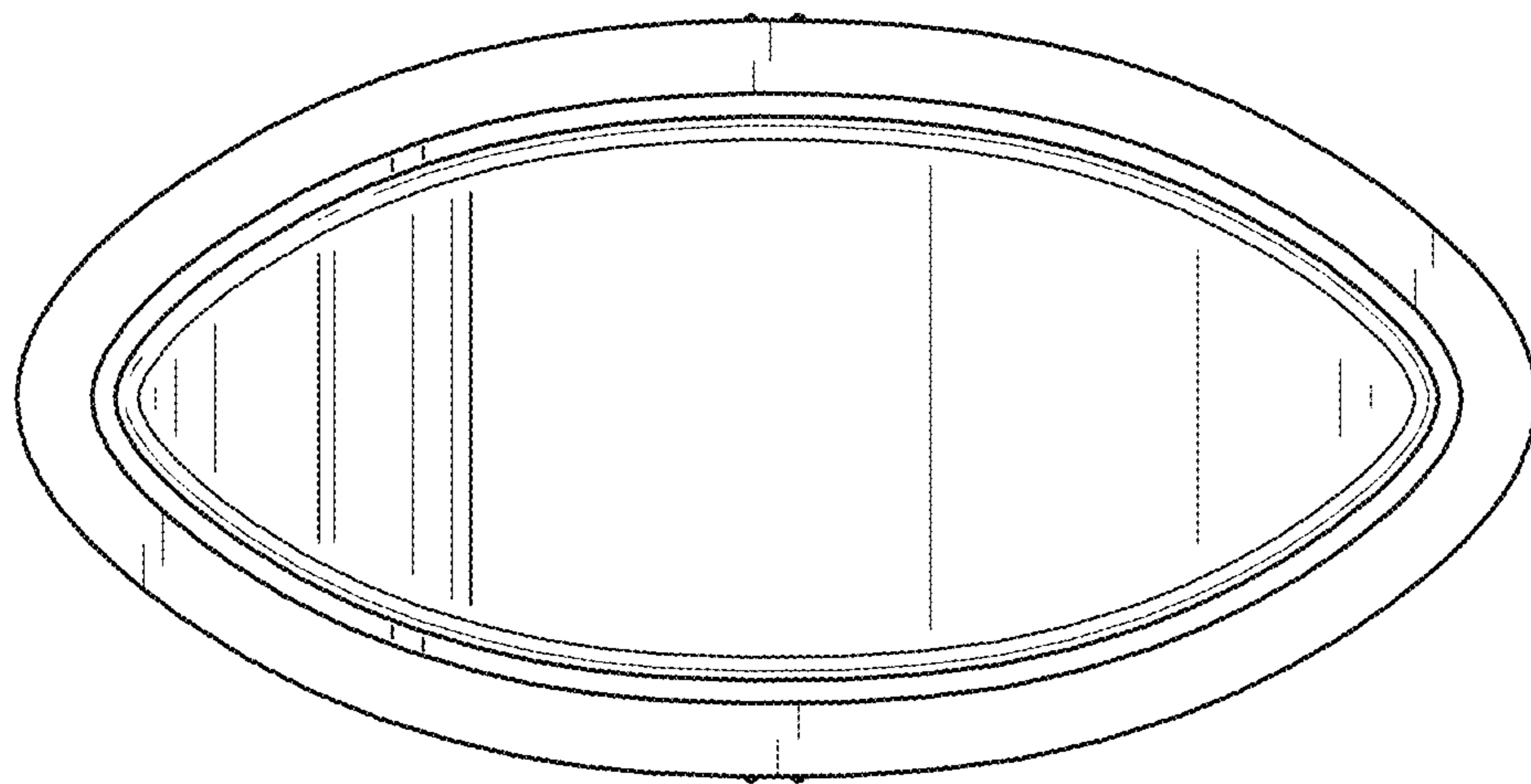


FIG. 13

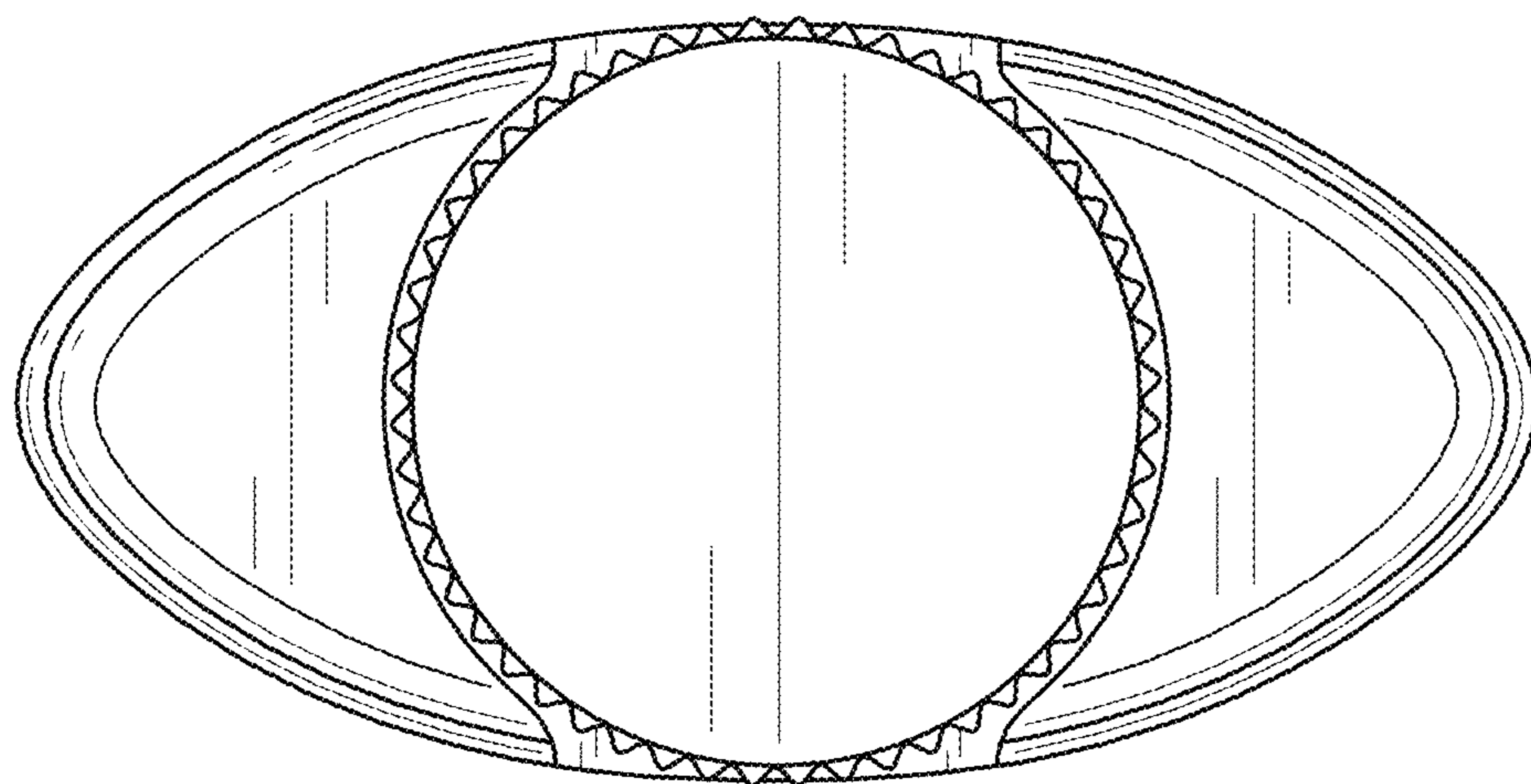


FIG. 14