



US00D784150S

(12) **United States Design Patent**  
**Dumas**

(10) **Patent No.:** **US D784,150 S**

(45) **Date of Patent:** **\*\* Apr. 18, 2017**

(54) **CONTAINER FOR PERFUME**

(71) Applicant: **VALENTINO S.p.A.**, Milan (IT)

(72) Inventor: **Jérôme Faillant Dumas**, Paris (FR)

(73) Assignee: **VALENTINO S.p.A.**, Milan (IT)

(\*\*) Term: **14 Years**

(21) Appl. No.: **29/523,109**

(22) Filed: **Apr. 7, 2015**

(30) **Foreign Application Priority Data**

Oct. 7, 2014 (EM) ..... 002552398

(51) **LOC (10) Cl.** ..... **09-01**

(52) **U.S. Cl.**

USPC ..... **D9/566**; D9/563; D9/575

(58) **Field of Classification Search**

USPC ..... D9/516, 530, 541, 543, 544, 546, 559,  
D9/560, 563, 566, 572, 575, 715, 719,  
D9/434, 435, 436, 448, 454, 682, 690;  
D7/300; D3/202; D4/114

CPC ..... B65D 1/02; B65D 1/0207; B65D 1/0223;  
B65D 1/14; B65D 2501/0081

See application file for complete search history.

(56) **References Cited**

**U.S. PATENT DOCUMENTS**

D90,196 S \* 6/1933 Lelong ..... D9/544  
D102,264 S \* 12/1936 Englehardt ..... D9/542

D211,079 S \* 5/1968 Dupree ..... D7/300  
D399,755 S \* 10/1998 Daraut ..... D9/545  
D643,736 S \* 8/2011 Lagerqvist ..... D9/550  
D660,178 S \* 5/2012 Chen ..... D6/542  
D679,998 S \* 4/2013 Kim ..... D9/447  
D705,074 S \* 5/2014 Della Valle ..... D9/560  
D710,207 S \* 8/2014 Pinabel ..... D9/542  
D714,654 S \* 10/2014 Faillant Dumas ..... D9/682  
D738,220 S \* 9/2015 Rohit ..... D9/553  
D741,721 S \* 10/2015 Monteparo ..... D9/566

\* cited by examiner

*Primary Examiner* — Ian Simmons

*Assistant Examiner* — Keith Frank

(74) *Attorney, Agent, or Firm* — Thomas|Horstemeyer,  
LLP

(57) **CLAIM**

The ornamental design for a container for perfume, as shown and described.

**DESCRIPTION**

FIG. 1 is a perspective view the container for perfume showing my new design;

FIG. 2 is a front elevation view thereof;

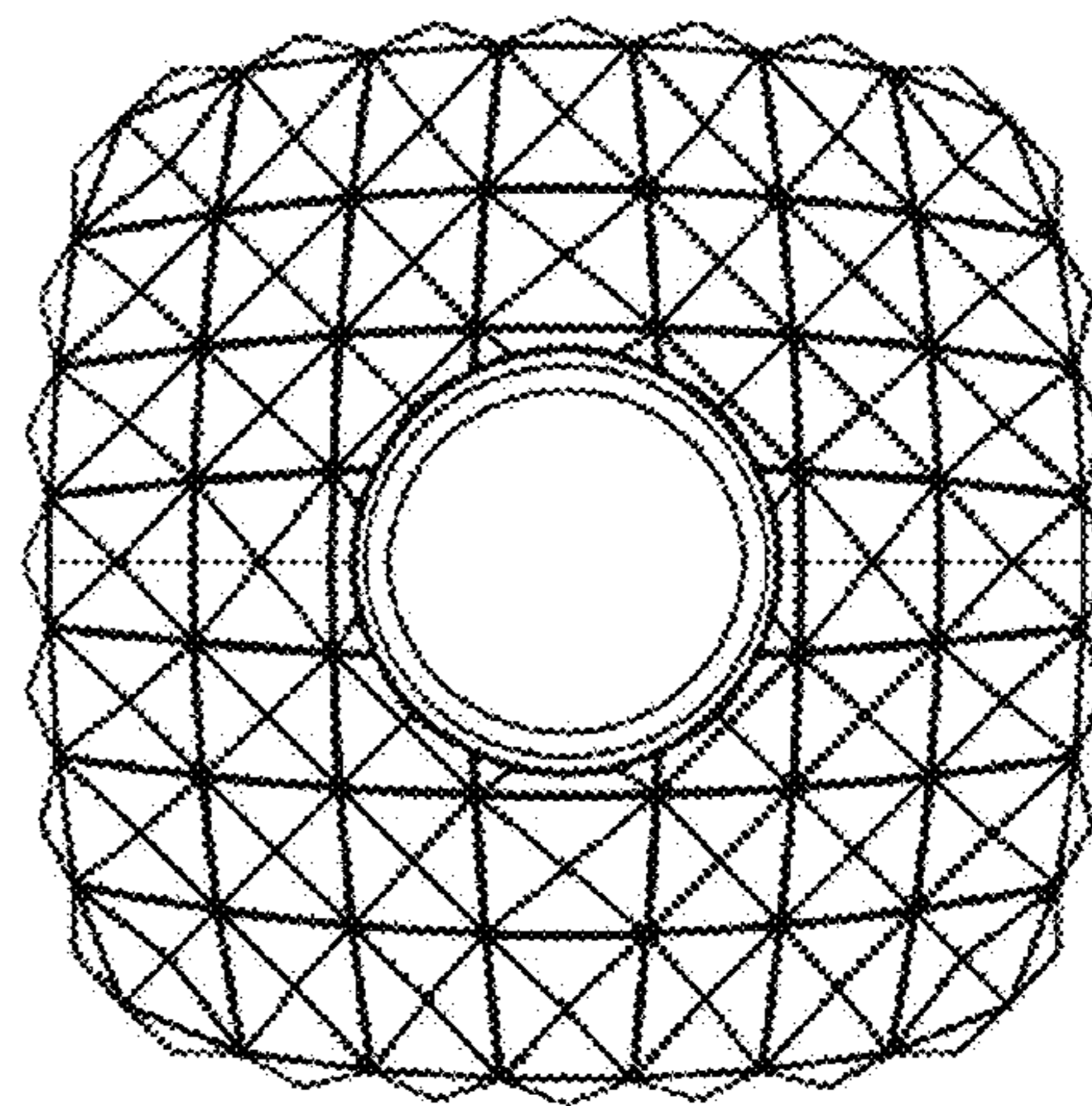
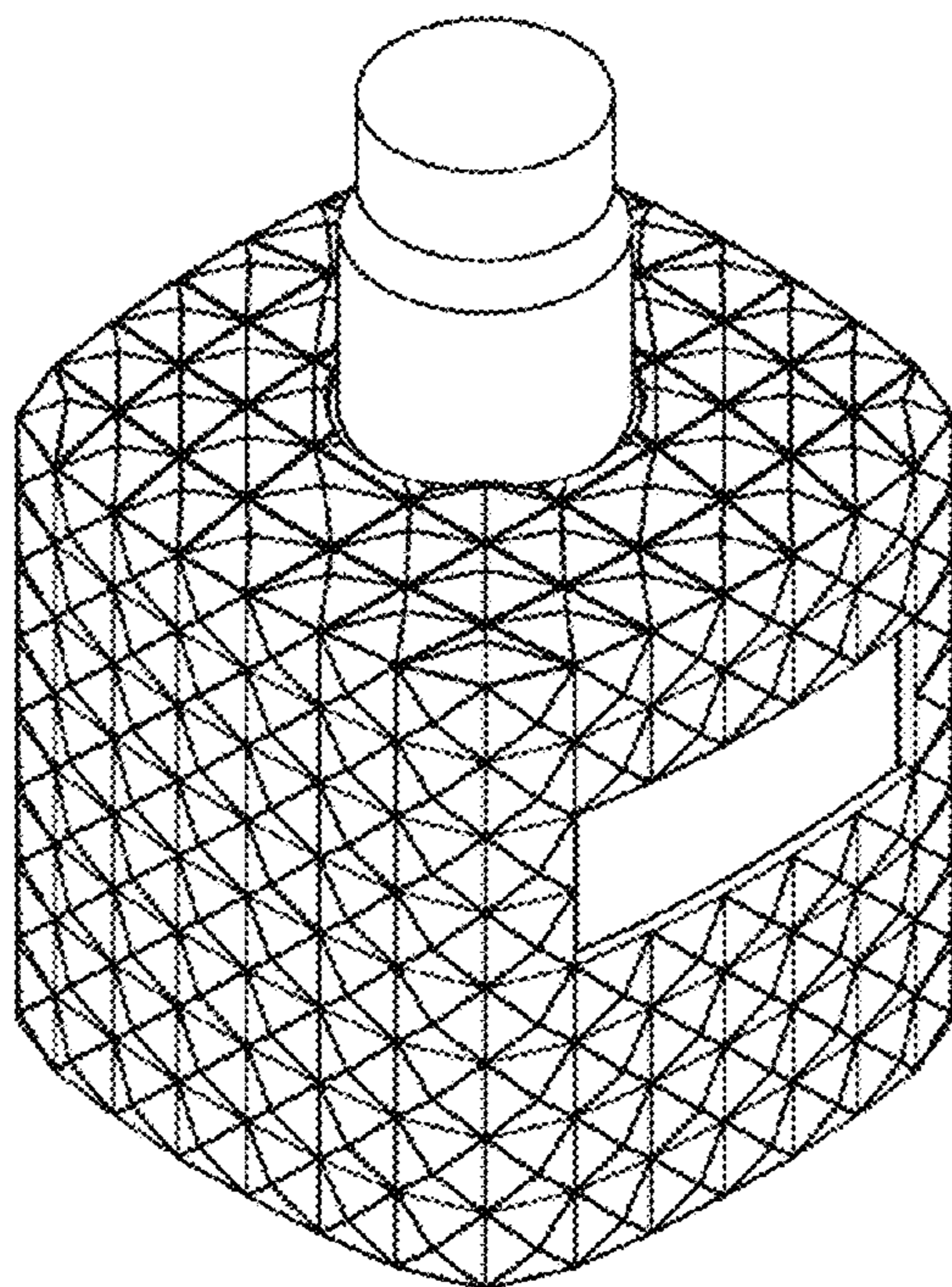
FIG. 3 is a rear elevation view thereof;

FIG. 4 is a side elevation view thereof;

FIG. 5 is an opposing side elevation view thereof; and,

FIG. 6 is a top plan view thereof.

**1 Claim, 6 Drawing Sheets**





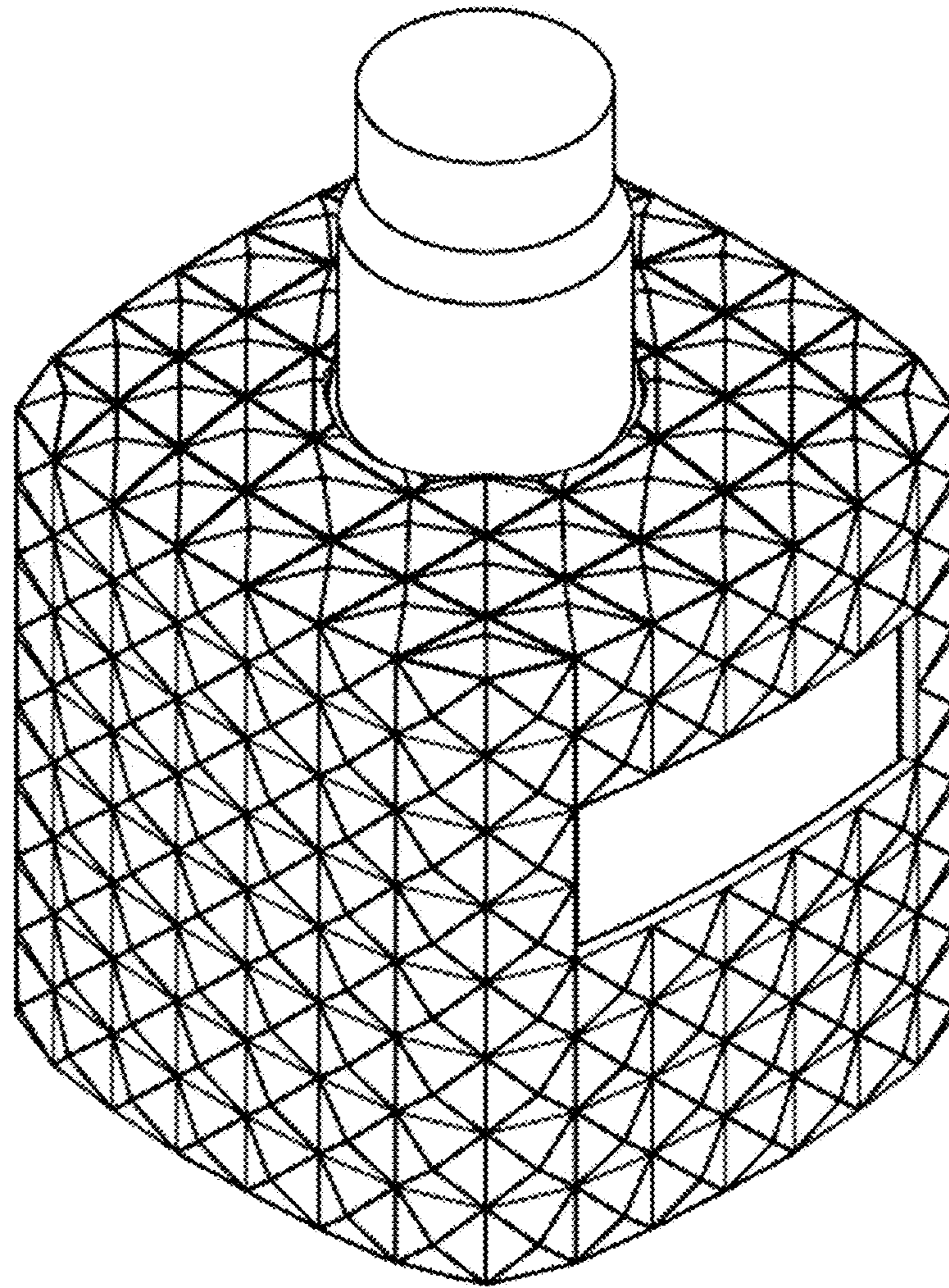


FIG. 1

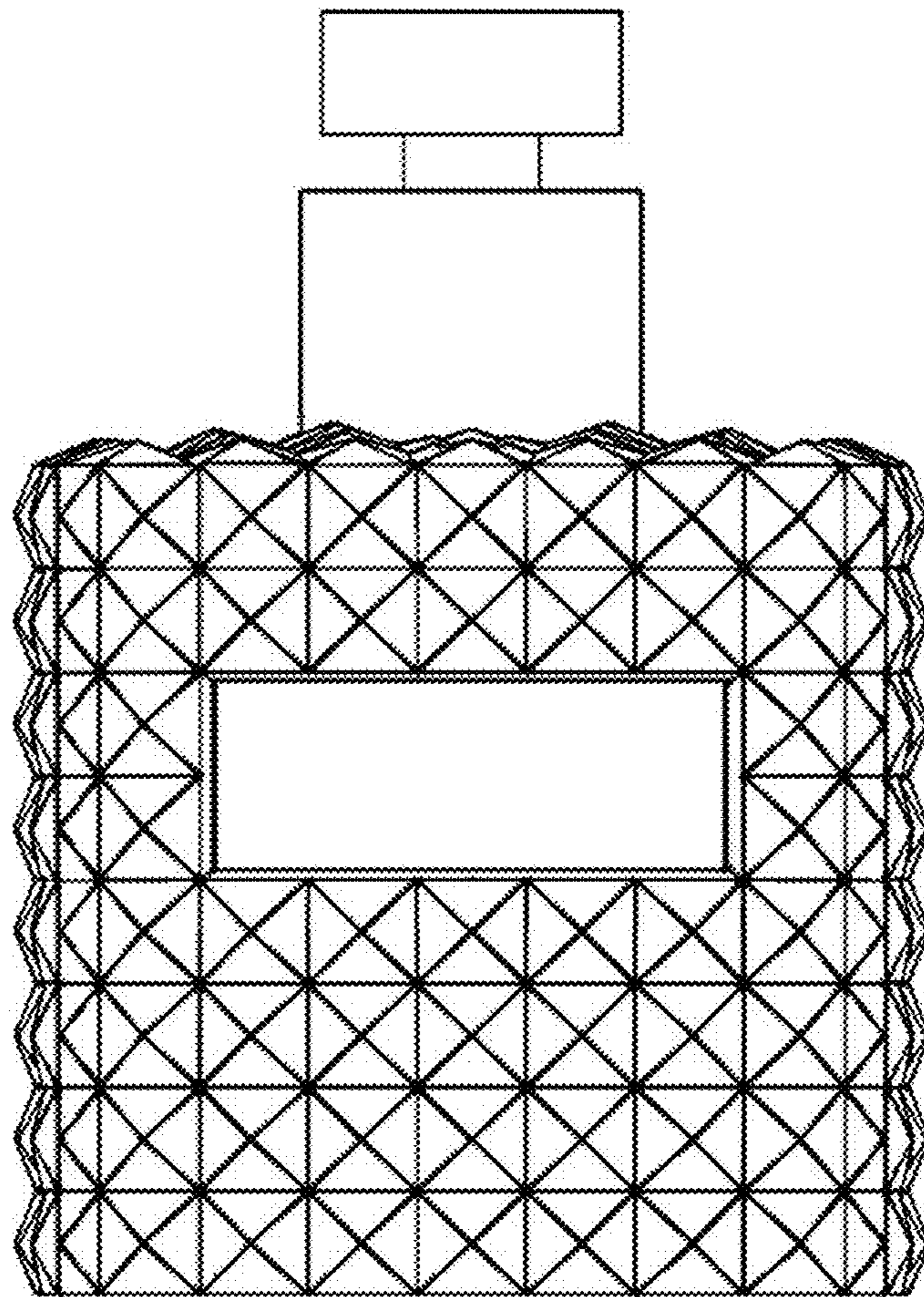


FIG. 2



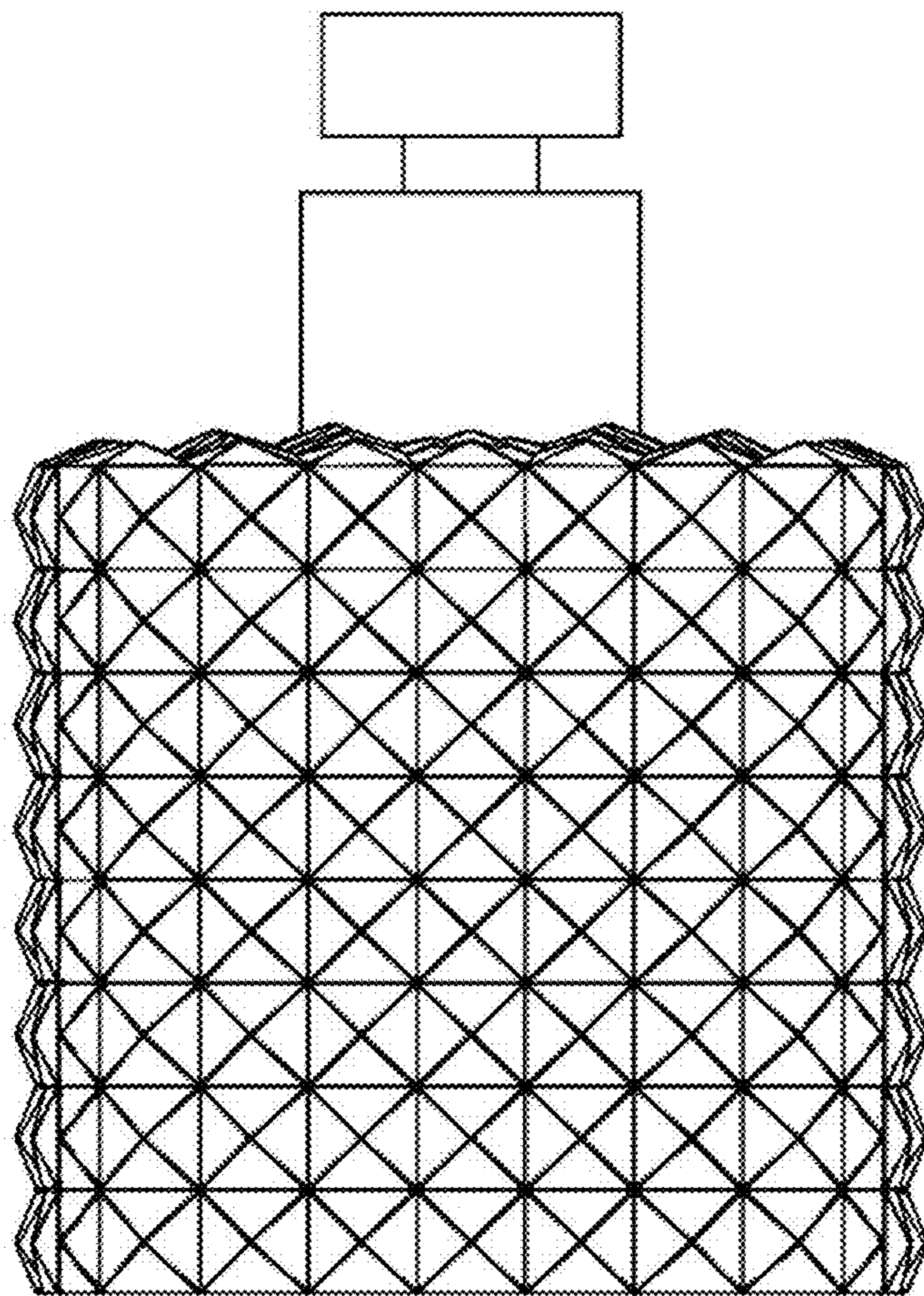


FIG. 3

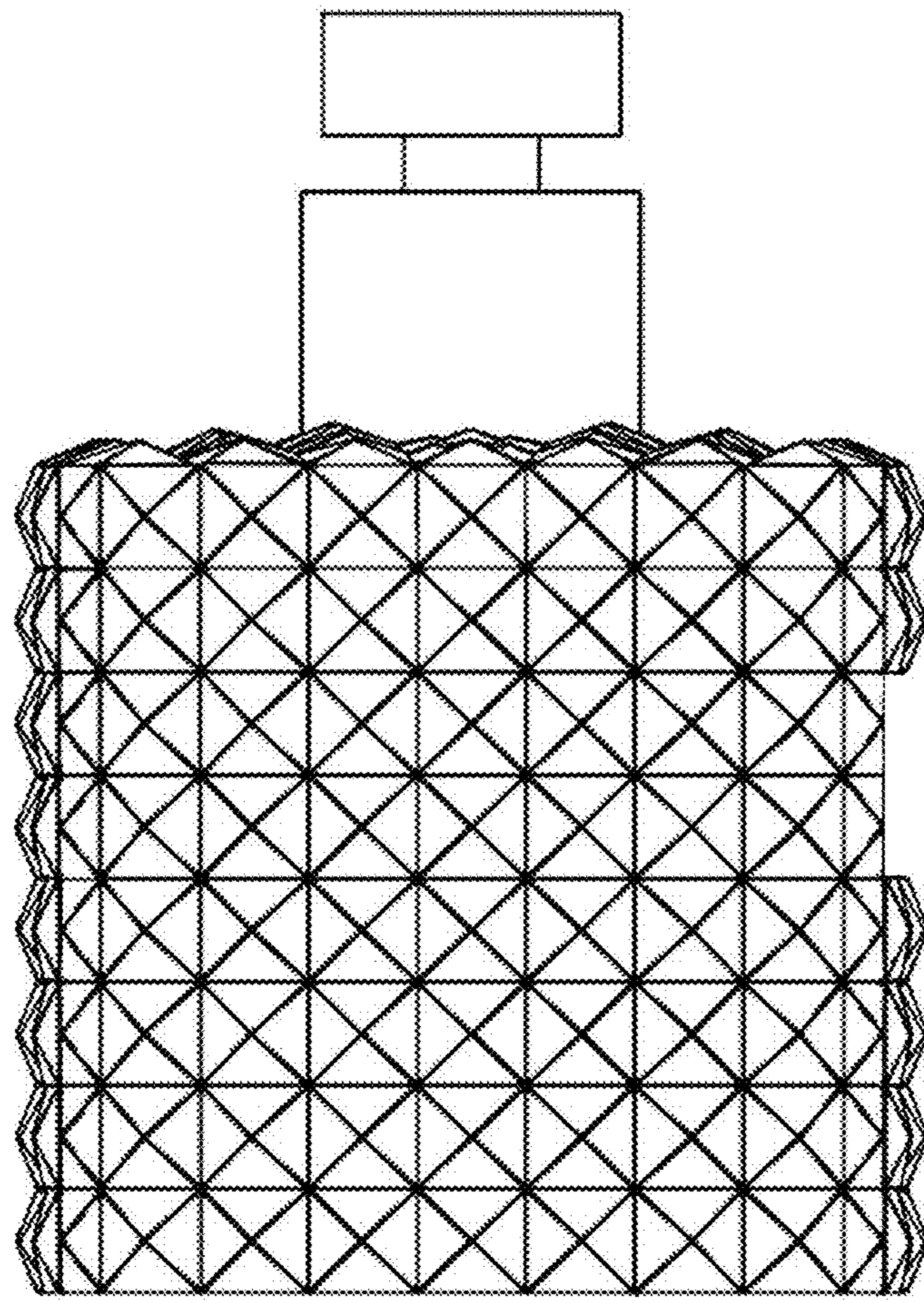


FIG. 4

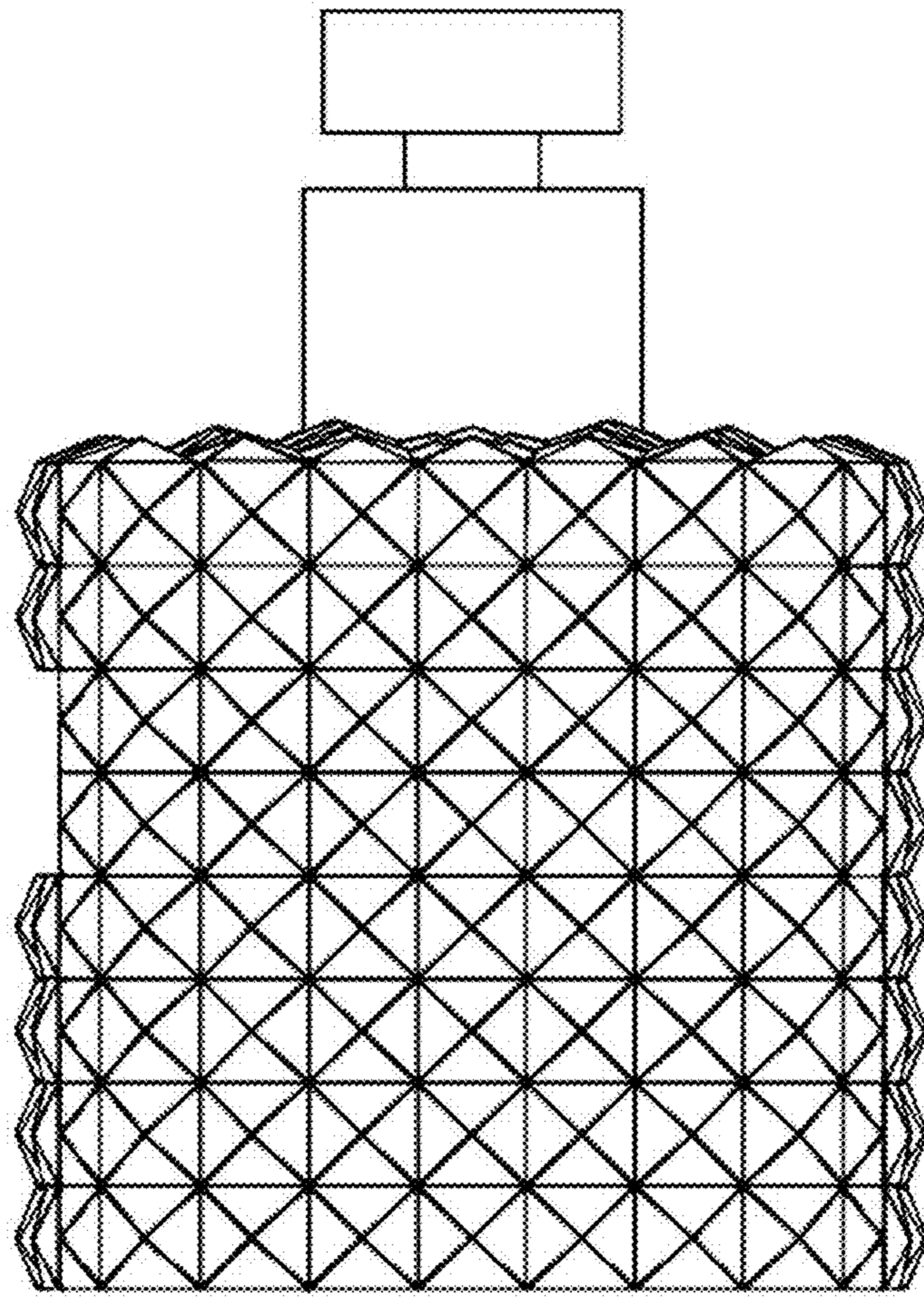


FIG. 5



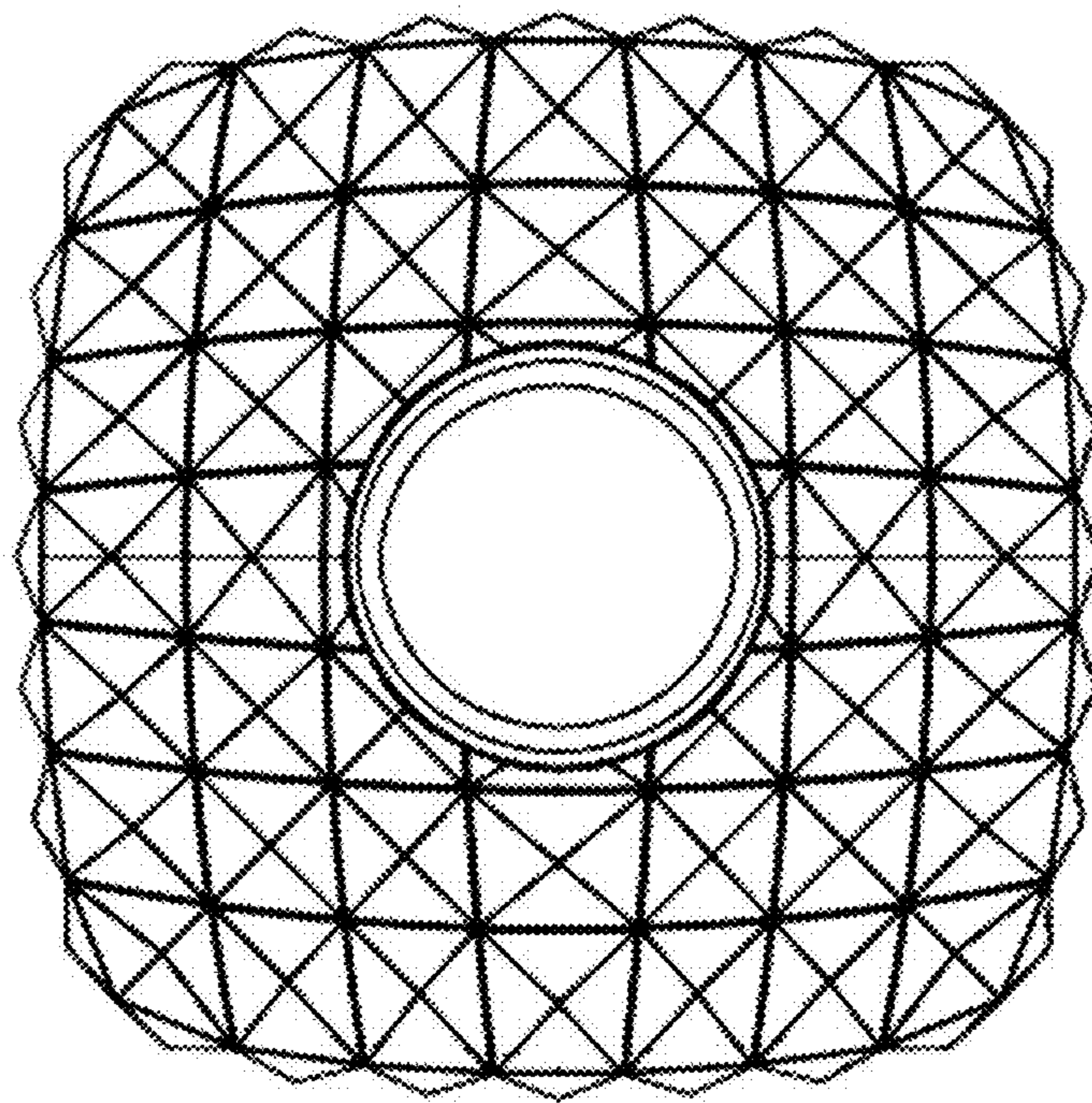


FIG. 6