



US00D784149S

(12) **United States Design Patent**
Funk

(10) **Patent No.:** **US D784,149 S**
(45) **Date of Patent:** **** Apr. 18, 2017**

(54) **BOTTLE**

- (71) Applicant: **DC Brands B.V.**, Amsterdam (NL)
- (72) Inventor: **Travis Funk**, Norwalk, CT (US)
- (73) Assignee: **DC BRANDS B.V.**, Amsterdam (NL)
- (**) Term: **14 Years**
- (21) Appl. No.: **29/503,382**
- (22) Filed: **Sep. 25, 2014**
- (51) **LOC (10) Cl.** **09-01**
- (52) **U.S. Cl.**
USPC **D9/560; D9/520; D9/574**
- (58) **Field of Classification Search**
USPC D9/434, 435, 436, 447, 454, 516, 560,
D9/563, 567, 570, 572, 573, 574, 715,
D9/719; D28/76, 77, 83, 91.1
(Continued)

(56) **References Cited**

U.S. PATENT DOCUMENTS

- D257,954 S 1/1981 Grodin
 - D259,098 S 5/1981 Lauren
- (Continued)

FOREIGN PATENT DOCUMENTS

- CA 10862 8/1935
 - CA 12103 9/1938
- (Continued)

Primary Examiner — Ian Simmons
Assistant Examiner — Keith Frank
 (74) *Attorney, Agent, or Firm* — Dorsey & Whitney LLP

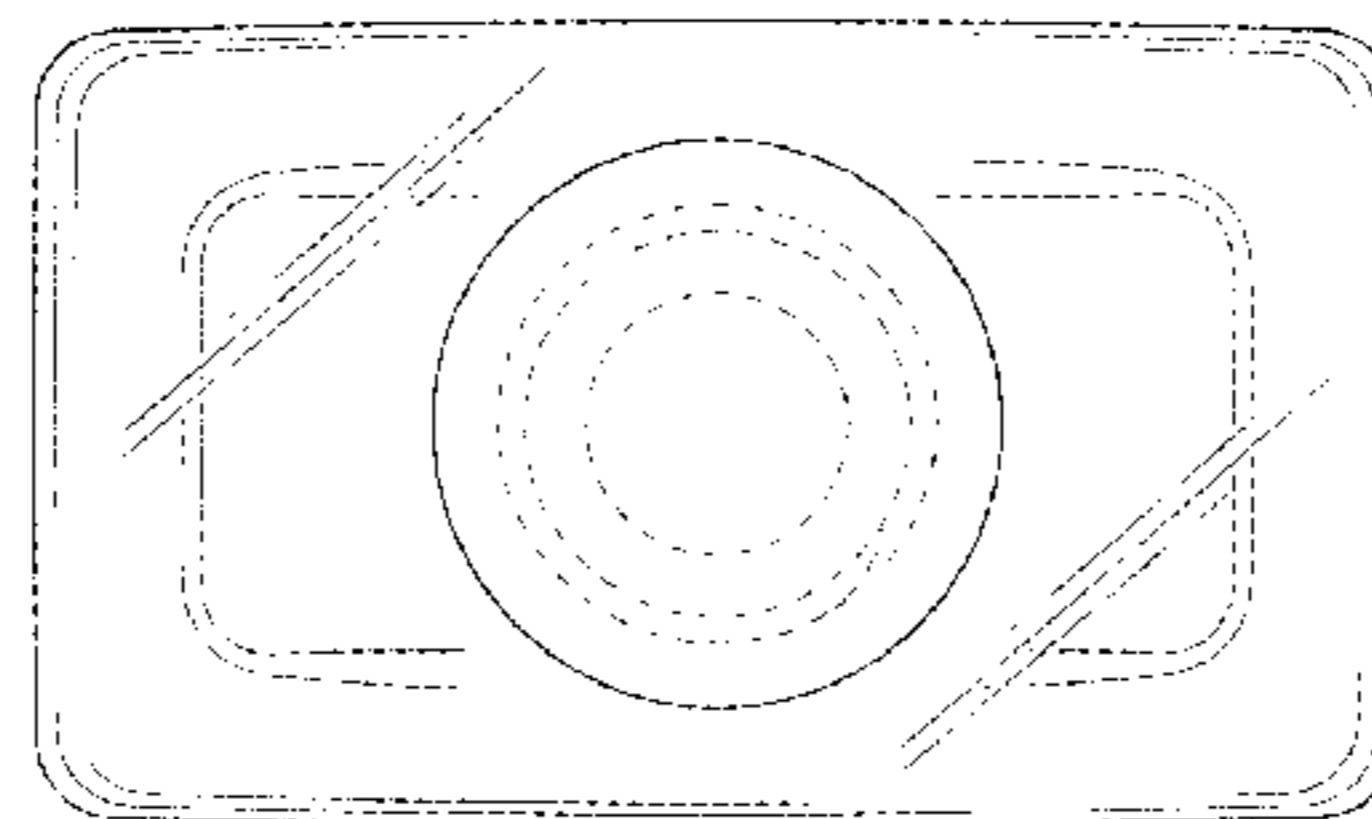
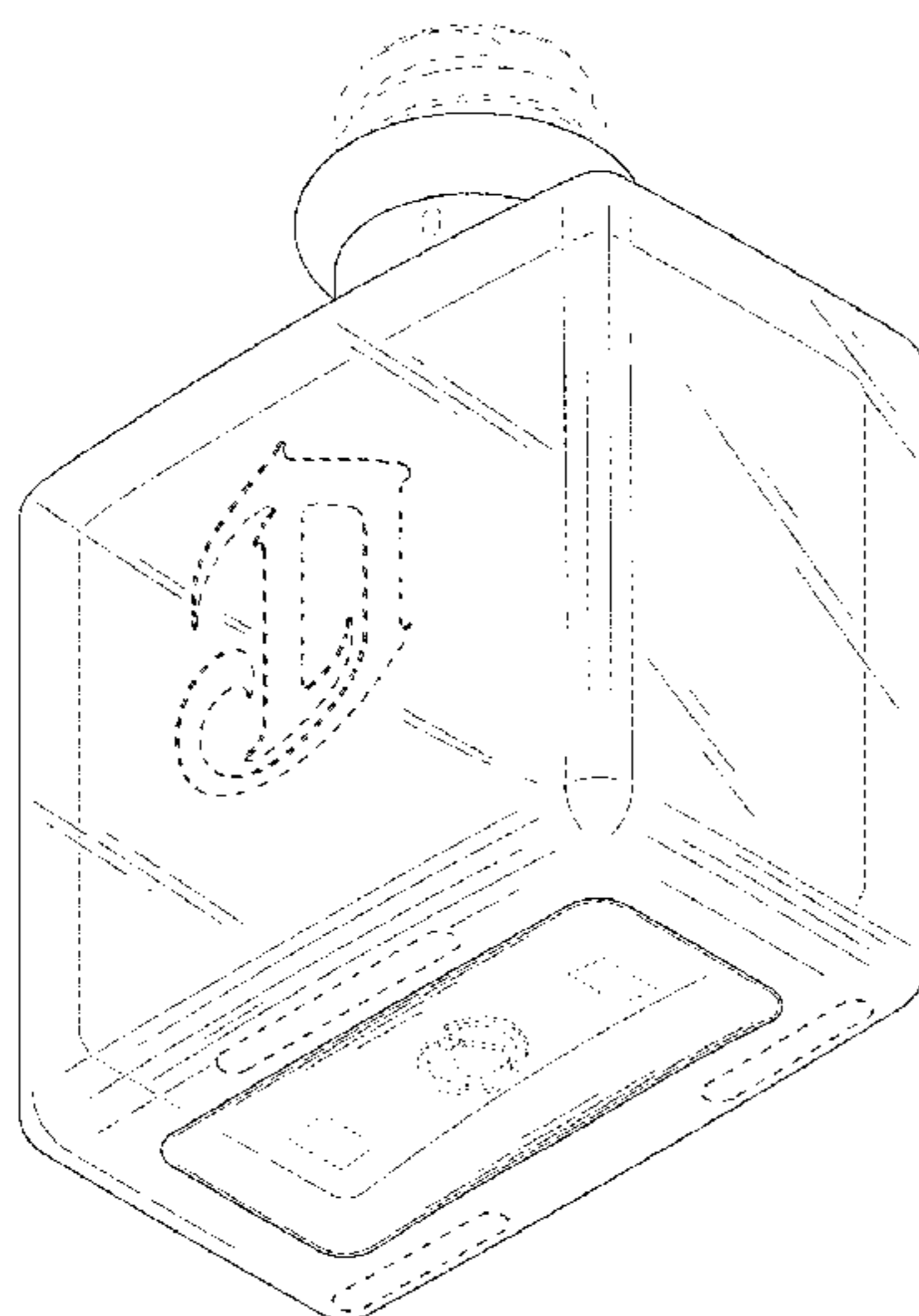
(57) **CLAIM**

I claim the ornamental design for a bottle, substantially as shown and described.

DESCRIPTION

FIG. 1 is a top, front, right side isometric view of a first embodiment of the bottle.
 FIG. 2 is a bottom, front, right side isometric view of the bottle of FIG. 1.
 FIG. 3 is a front elevation view of the bottle of FIG. 1.
 FIG. 4 is a rear elevation view of the bottle of FIG. 1.
 FIG. 5 is a left side elevation view of the bottle of FIG. 1.
 FIG. 6 is a right side elevation view of the bottle of FIG. 1.
 FIG. 7 is a top plan view of the bottle of FIG. 1.
 FIG. 8 is a top, front, right side isometric view of a second embodiment of the bottle.
 FIG. 9 is a bottom, front, right side isometric view of the bottle of FIG. 8.
 FIG. 10 is a front elevation view of the bottle of FIG. 8.
 FIG. 11 is a rear elevation view of the bottle of FIG. 8.
 FIG. 12 is a left side elevation view of the bottle of FIG. 8.
 FIG. 13 is a right side elevation view of the bottle of FIG. 8.
 FIG. 14 is a top plan view of the bottle of FIG. 8.
 FIG. 15 is a top, front, right side isometric view of a third embodiment of the bottle.
 FIG. 16 is a bottom, front, right side isometric view of the bottle of FIG. 15.
 FIG. 17 is a front elevation view of the bottle of FIG. 15.
 FIG. 18 is a rear elevation view of the bottle of FIG. 15.
 FIG. 19 is a left side elevation view of the bottle of FIG. 15.
 FIG. 20 is a right side elevation view of the bottle of FIG. 15.
 FIG. 21 is a top plan view of the bottle of FIG. 15.
 FIG. 22 is a top, front, right side isometric view of a fourth embodiment of the bottle.
 FIG. 23 is a bottom, front, right side isometric view of the bottle of FIG. 22.
 FIG. 24 is a front elevation view of the bottle of FIG. 22.
 FIG. 25 is a rear elevation view of the bottle of FIG. 22.
 FIG. 26 is a left side elevation view of the bottle of FIG. 22.
 FIG. 27 is a right side elevation view of the bottle of FIG. 22; and,
 FIG. 28 is a top plan view of the bottle of FIG. 22.
 The broken lines in the drawings illustrate portions of the bottle that form no part of the claimed design.

1 Claim, 12 Drawing Sheets



US D784,149 S

(58) **Field of Classification Search**
 CPC B65D 2501/0081; B65D 1/02; B65D 1/06;
 B65D 1/08; B65D 1/10; B65D 77/065;
 B65D 5/746
 See application file for complete search history.

(56) **References Cited**

U.S. PATENT DOCUMENTS

D260,367 S	8/1981	Grip	
D294,122 S *	2/1988	Weber	D9/571
D325,345 S	4/1992	Holland	
D379,766 S	6/1997	Schneider et al.	
D381,275 S	7/1997	Lecoule	
D438,802 S	3/2001	Krunas	
D454,499 S *	3/2002	Berkhauer	D9/535
D474,693 S	5/2003	Gruosi-Scheufele	
D522,872 S	6/2006	Lascaux	
D536,259 S	2/2007	Herrmann	
D537,725 S *	3/2007	Varlet	D9/544
D544,362 S	6/2007	Rica	
D548,606 S	8/2007	Rica	
D553,004 S	10/2007	Krakoff	
D559,697 S	1/2008	Didier	
D562,143 S *	2/2008	Didier	D9/544
D574,257 S	8/2008	Zeidan	
D576,052 S	9/2008	Lloyd et al.	
D581,271 S	11/2008	Laupie	
D587,596 S	3/2009	Lloyd	
D589,355 S *	3/2009	Rica	D9/544
D589,814 S	4/2009	Holzner et al.	
D601,023 S	9/2009	Rica	
D601,024 S	9/2009	Rica	
D601,025 S	9/2009	Rica	
D601,032 S	9/2009	Rica	
D601,033 S	9/2009	Rica	
D601,428 S	10/2009	Rica	
D602,787 S *	10/2009	Gaultier	D9/572
D604,174 S	11/2009	Rica	
D604,175 S	11/2009	Rica	
D604,629 S *	11/2009	Aebi	D9/454
D605,524 S *	12/2009	Manocheo	D9/573
D609,110 S	2/2010	Moretti	
D609,574 S	2/2010	Holmes et al.	
D611,821 S *	3/2010	Gabrielsson	D9/517
D612,242 S	3/2010	Rica	
D619,470 S *	7/2010	Zeidan	D9/441
D622,602 S *	8/2010	Potts	D9/544
D642,478 S *	8/2011	Ehrmann	D9/573
D656,830 S	4/2012	Rodrigeuz	
D656,838 S *	4/2012	Mouquet	D9/573
D666,500 S *	9/2012	Fendi	D9/560
D678,776 S *	3/2013	Lecetre	D9/544
D680,878 S *	4/2013	Ford	D9/529
D681,474 S *	5/2013	Gieske	D9/573
D684,865 S	6/2013	Petronio	
D693,227 S	11/2013	Gonzalez Rodriguez	
D694,120 S *	11/2013	Baussan	D9/560
D695,126 S *	12/2013	Versace	D9/451
D701,768 S	4/2014	Baker	
D705,663 S *	5/2014	Guichot	D9/544
D718,639 S *	12/2014	Guichot	D9/544
D732,394 S *	6/2015	DeMarco	D9/444
D736,647 S *	8/2015	DeMarco	D9/694
D757,560 S *	5/2016	Venturini Fendi	D9/435

FOREIGN PATENT DOCUMENTS

CA	12104	9/1938
CA	12105	9/1938
CA	12106	9/1938
CA	12239	1/1939
CA	16973	6/1949
CA	75700	2/1995
CA	79029	9/1996
CA	80142	3/1997
CA	92313	4/2001

CA	98826	8/2003
CA	103638	8/2003
CA	110278	10/2007
CA	122146	9/2008
CA	128957	3/2010
CA	132733	3/2010
CA	141556	3/2012
CA	145206	1/2013
CA	146079	5/2013
CN	3298449	6/2003
CN	3408086	12/2004
CN	3452064	6/2005
CN	3537420	6/2006
CN	3554225	8/2006
CN	3662190	6/2007
CN	300709993	11/2007
CN	300758808	3/2008
CN	300783956	5/2008
CN	300818046	8/2008
CN	300886349	2/2009
CN	300890766	3/2009
CN	300907489	4/2009
CN	300946366	6/2009
CN	300950860	7/2009
CN	300955247	7/2009
CN	300969077	7/2009
CN	300978638	8/2009
CN	300984322	8/2009
CN	300984365	8/2009
CN	301010953	9/2009
CN	301010955	9/2009
CN	301011046	9/2009
CN	301043429	10/2009
CN	301043434	10/2009
CN	301051892	11/2009
CN	301060440	11/2009
CN	301060453	11/2009
CN	301127824	2/2010
CN	301133396	2/2010
CN	301133452	2/2010
CN	301133453	2/2010
CN	301194458	5/2010
CN	301211634	5/2010
CN	301251721	6/2010
CN	301260985	6/2010
CN	301260986	6/2010
CN	301278797	7/2010
CN	301360203	10/2010
CN	301436903	1/2011
CN	301579471	6/2011
CN	301603318	7/2011
CN	301645887	8/2011
CN	301684804	9/2011
CN	301821706	2/2012
CN	301830102	2/2012
CN	301844065	2/2012
CN	301871055	3/2012
CN	301888826	4/2012
CN	301934252	5/2012
CN	302008359	7/2012
CN	302252044	12/2012
CN	302348766	3/2013
CN	302359090	3/2013
CN	302359166	3/2013
CN	302380445	4/2013
CN	302421287	5/2013
CN	302421288	5/2013
CN	302434578	5/2013
CN	302465213	6/2013
CN	302482232	6/2013
CN	302482287	6/2013
CN	302482288	6/2013
CN	302487977	7/2013
CN	302487978	7/2013
CN	302494961	7/2013
CN	302549082	8/2013
CN	302558218	9/2013
CN	302627824	11/2013
CN	302627825	11/2013

(56)

References Cited

FOREIGN PATENT DOCUMENTS

CN 302627827 11/2013
 CN 302627828 11/2013
 CN 302627829 11/2013
 CN 302648415 11/2013
 CN 302648416 11/2013
 CN 302648417 11/2013
 CN 302648418 11/2013
 CN 302648419 11/2013
 CN 302648420 11/2013
 CN 302678907 12/2013
 CN 302734252 2/2014
 CN 302746638 2/2014
 CN 302766373 3/2014
 CN 302787345 4/2014
 CN 302813187 5/2014
 CN 302871266 7/2014
 CN 302871355 7/2014
 CN 302893453 7/2014
 CN 302893607 7/2014
 CN 302900127 8/2014
 CN 302915094 8/2014
 CN 302935514 9/2014
 GB 2037858 3/1994
 GB 2037859 3/1994
 MX 312069 B 8/2013
 MX 315268 B 8/2013
 MX 2013010164 A 11/2013
 MX 316014 B 12/2013
 MX 317158 B 1/2014
 WO D018000-001 12/1989
 WO D023692-003 8/1992
 WO D029010-001 3/1994
 WO D029010-002 3/1994

WO D033858-002 8/1995
 WO D034306-009 10/1995
 WO D039084-006 2/1997
 WO D042570-001 1/1998
 WO D049392-001 9/1999
 WO D050318-001 12/1999
 WO D051920-003 7/2000
 WO D053156-002 11/2000
 WO D053568-001 12/2000
 WO D056222-016 7/2001
 WO D057753-002 12/2001
 WO D058875-001 1/2002
 WO D059635-001 1/2002
 WO D062645-004 3/2003
 WO D064332-001 9/2003
 WO D065062-003 3/2004
 WO D065406-001 6/2004
 WO D066868-001 8/2005
 WO D066868-002 8/2005
 WO D067141-001 12/2005
 WO D067141-005 12/2005
 WO D067372-001 6/2006
 WO D069400-007 11/2007
 WO D069400-008 11/2007
 WO D069272-008 1/2008
 WO D070899-009 12/2008
 WO D073342-001 3/2010
 WO D072869-001 6/2010
 WO D073767-002 6/2010
 WO D075336-002 6/2011
 WO D077436-001 2/2012
 WO D077584-001 2/2012
 WO D080632-001 10/2012
 WO D079598-001 12/2012
 WO D080824-001 5/2013
 WO D082079-001 11/2013

* cited by examiner

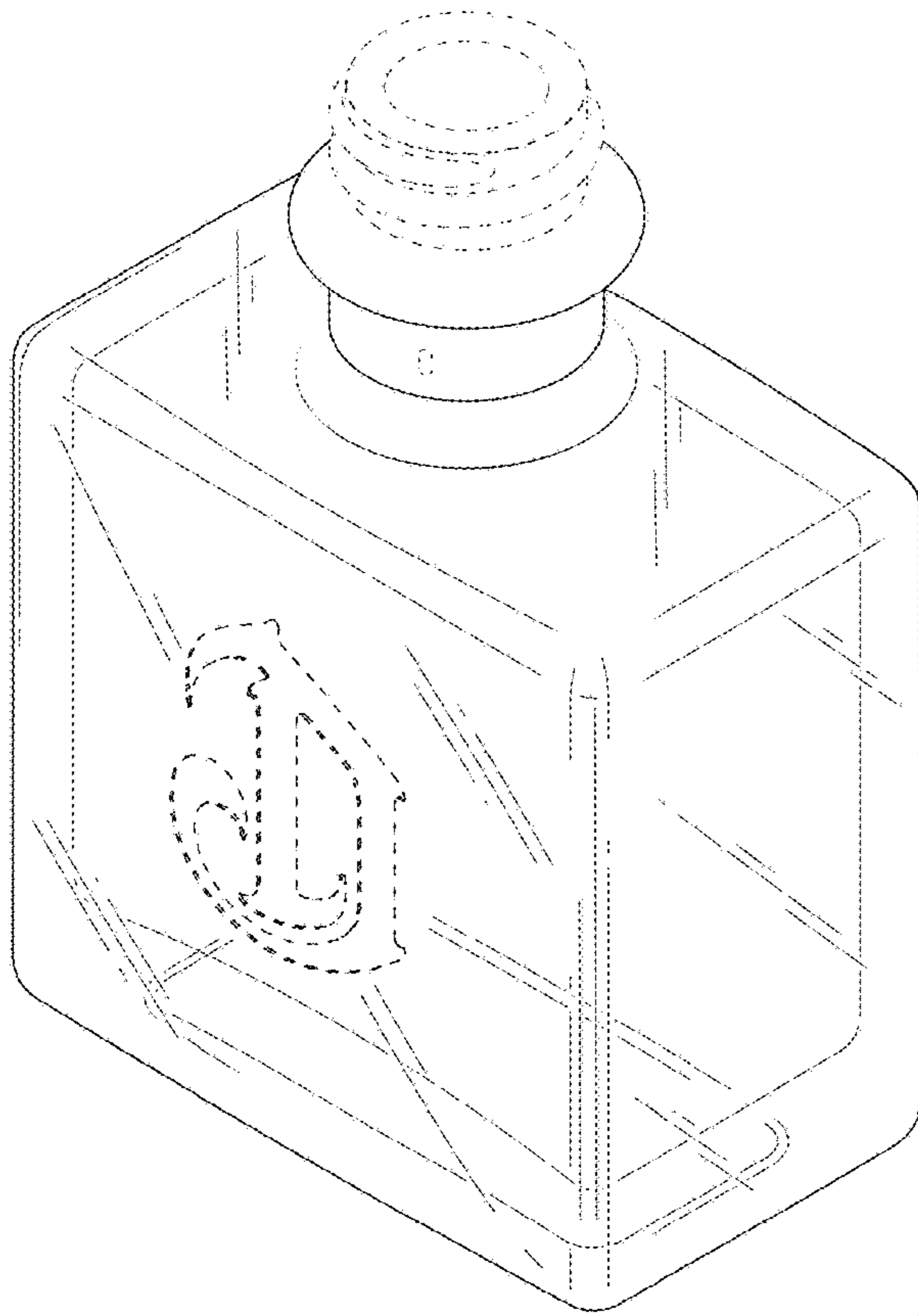


FIG. 1

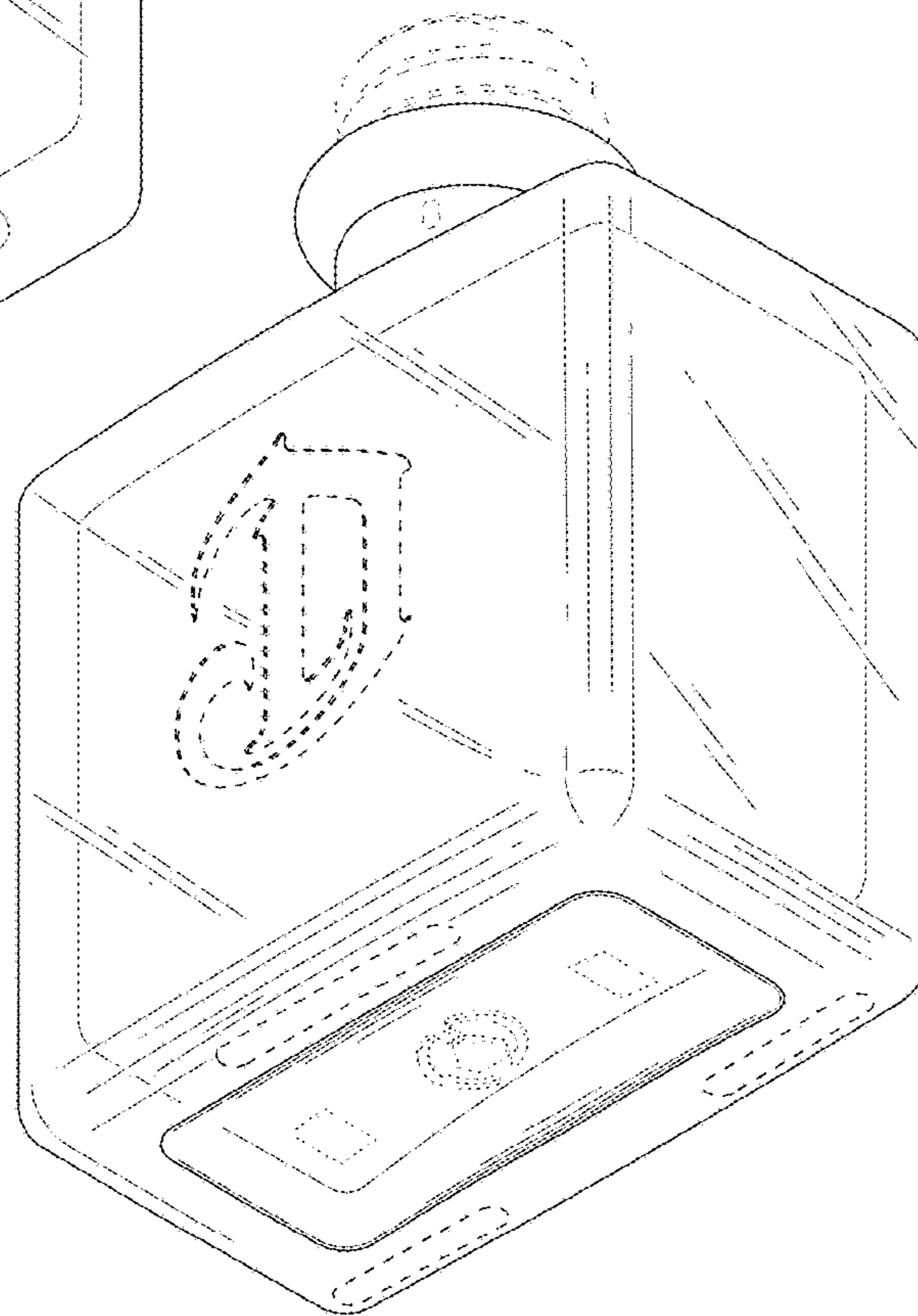


FIG. 2

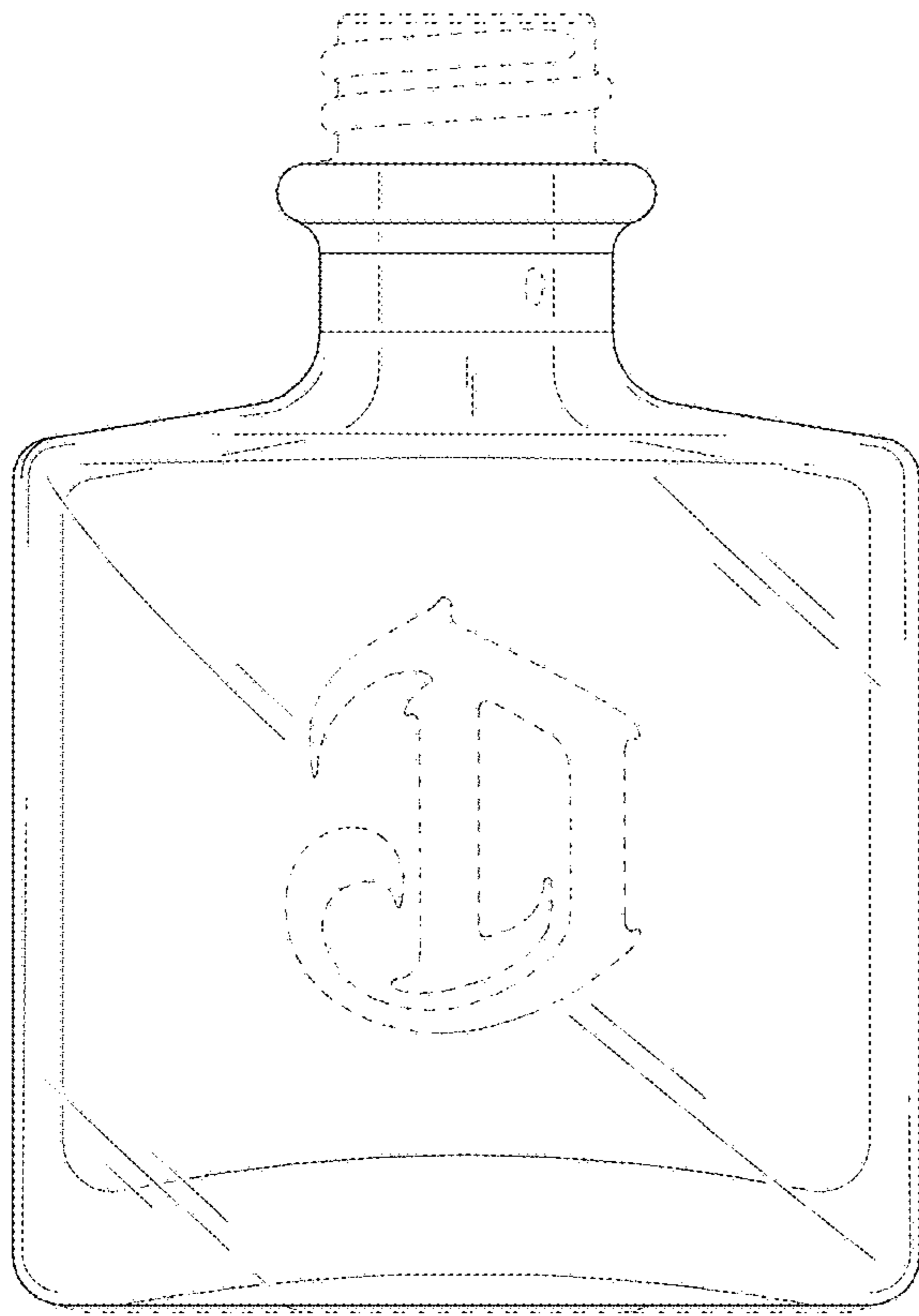


FIG. 3

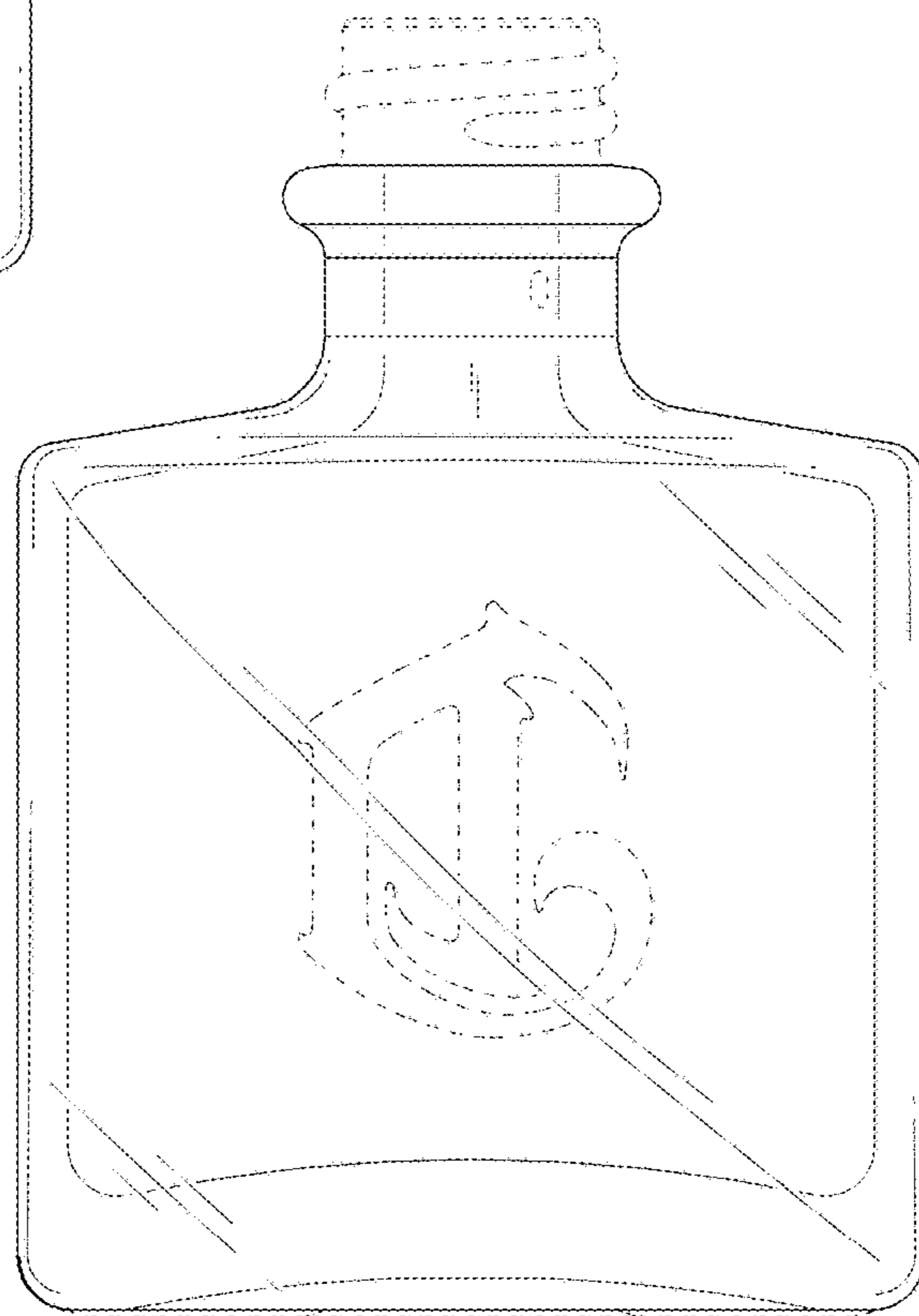


FIG. 4

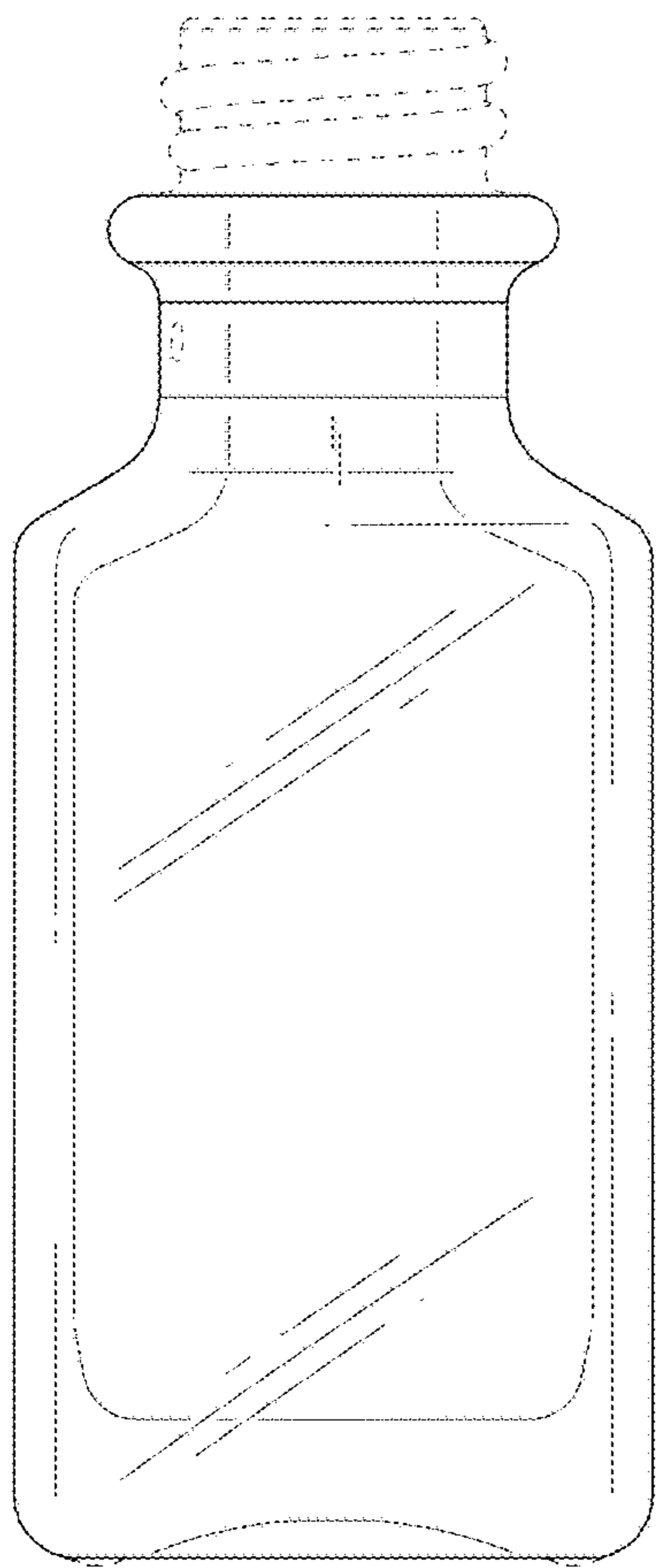


FIG. 5

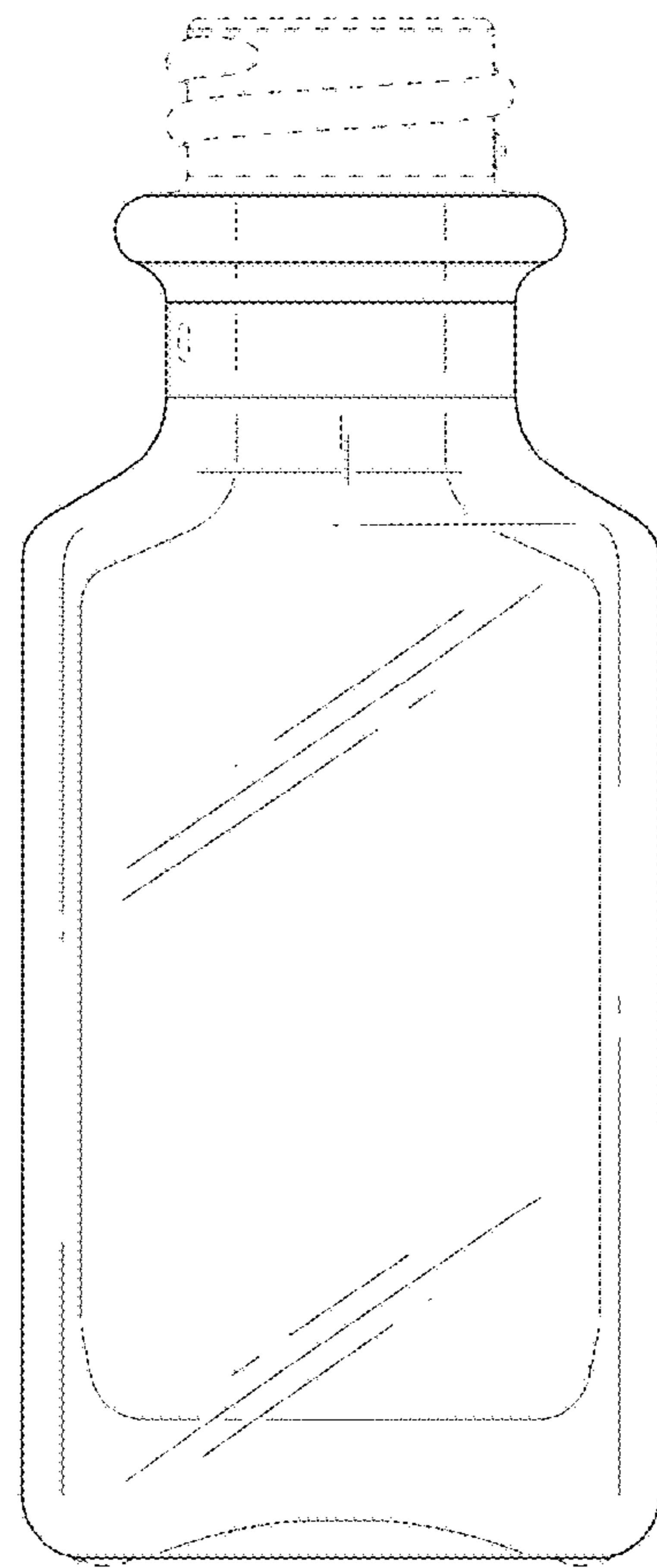


FIG. 6

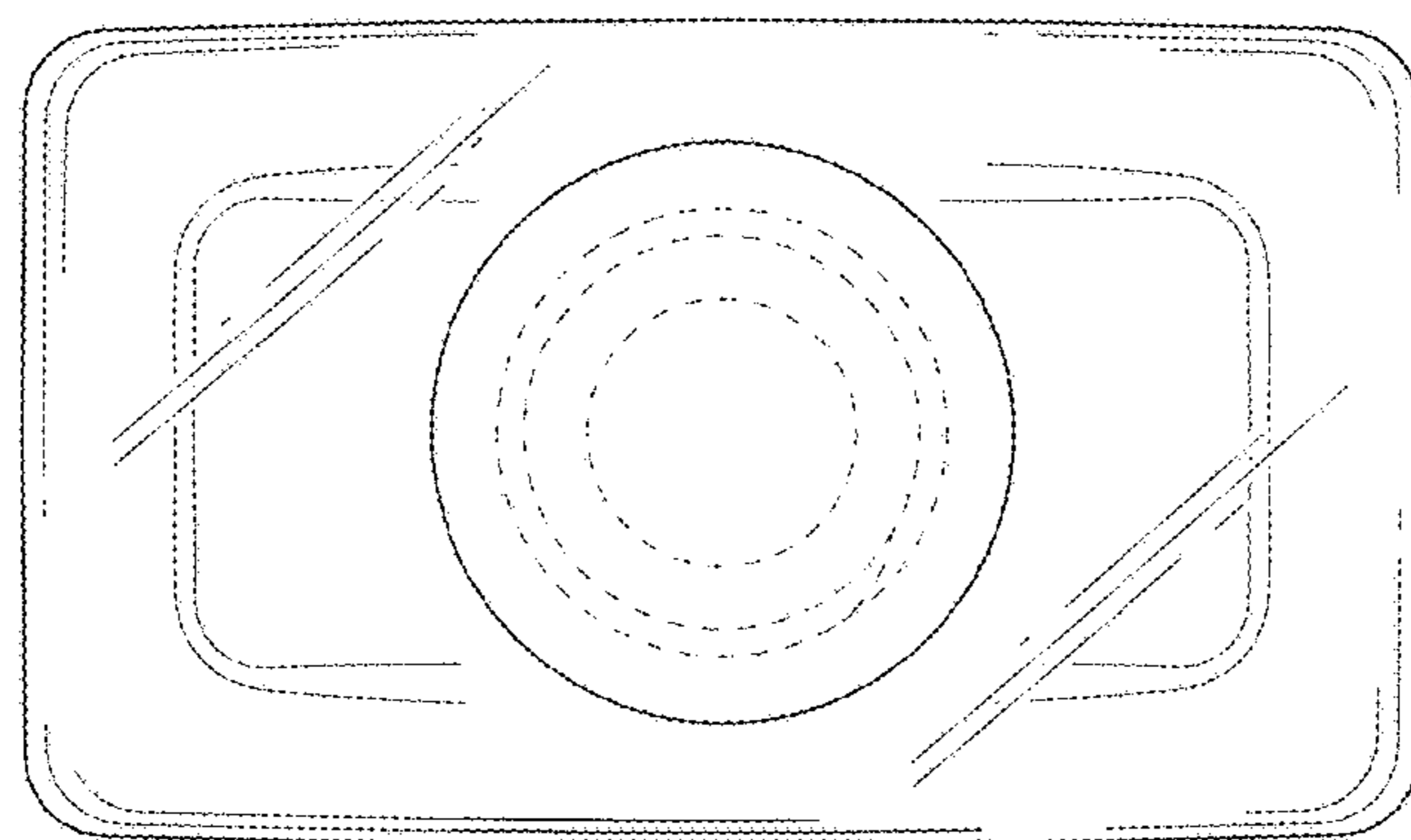


FIG. 7

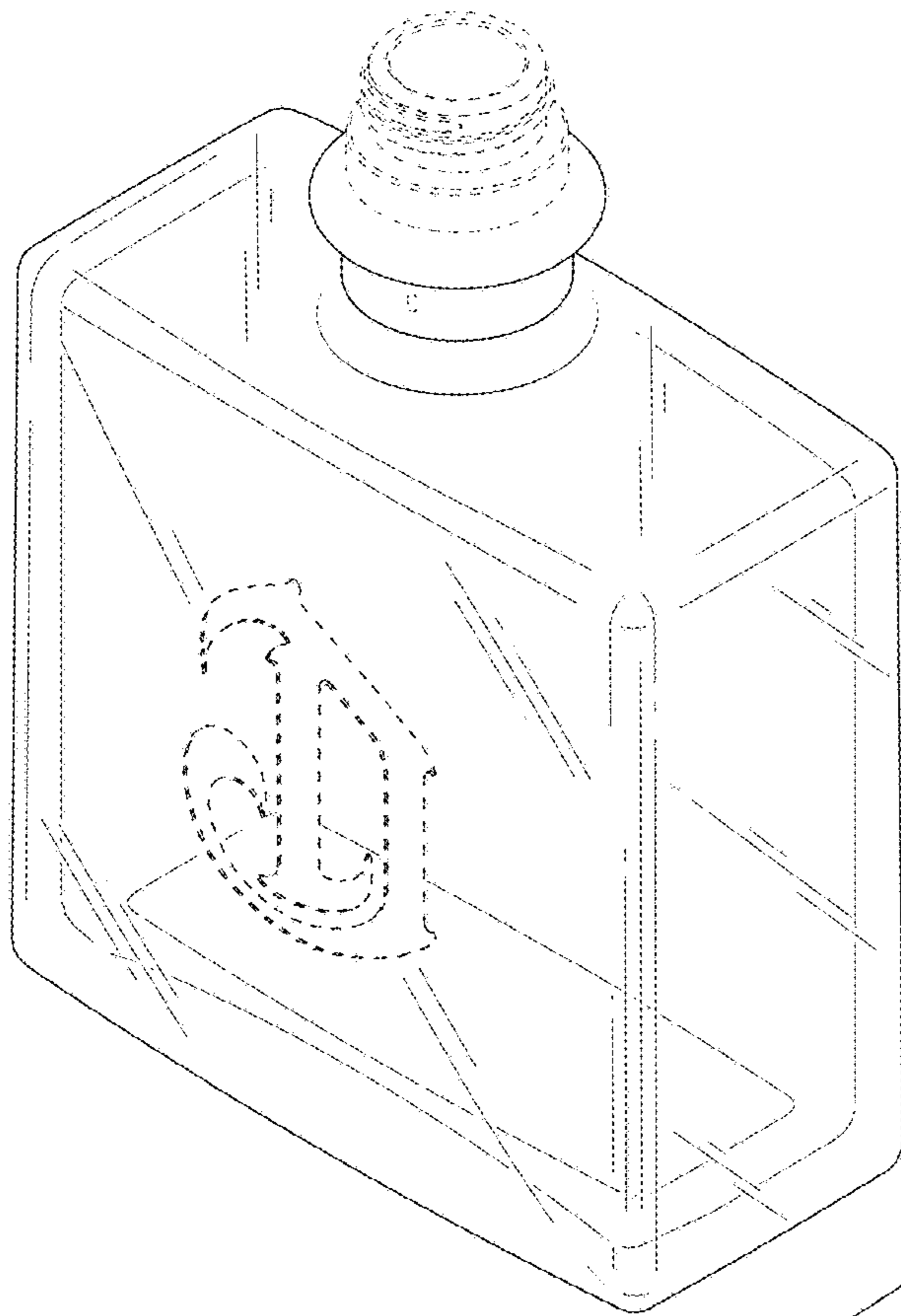


FIG. 8

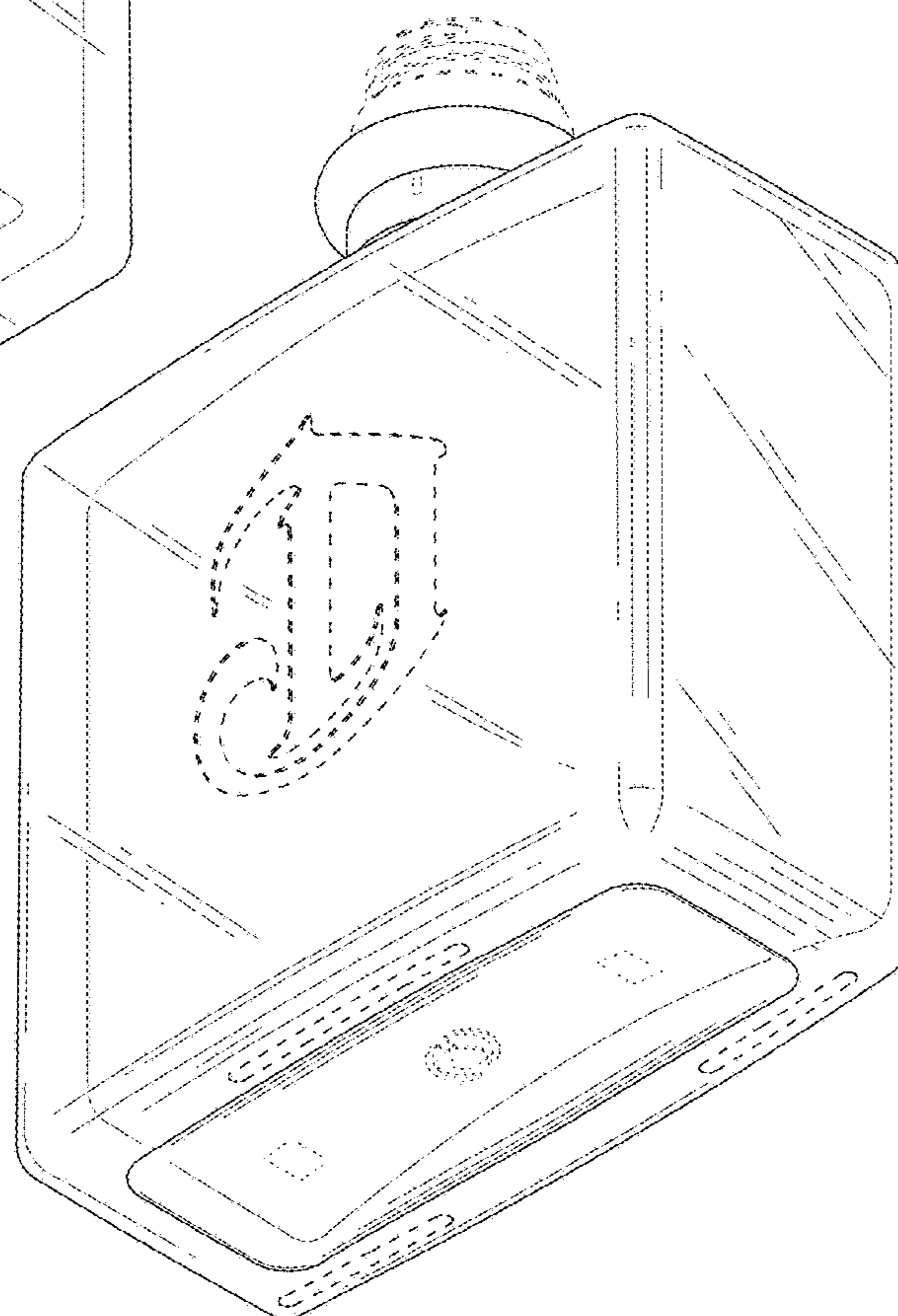


FIG. 9

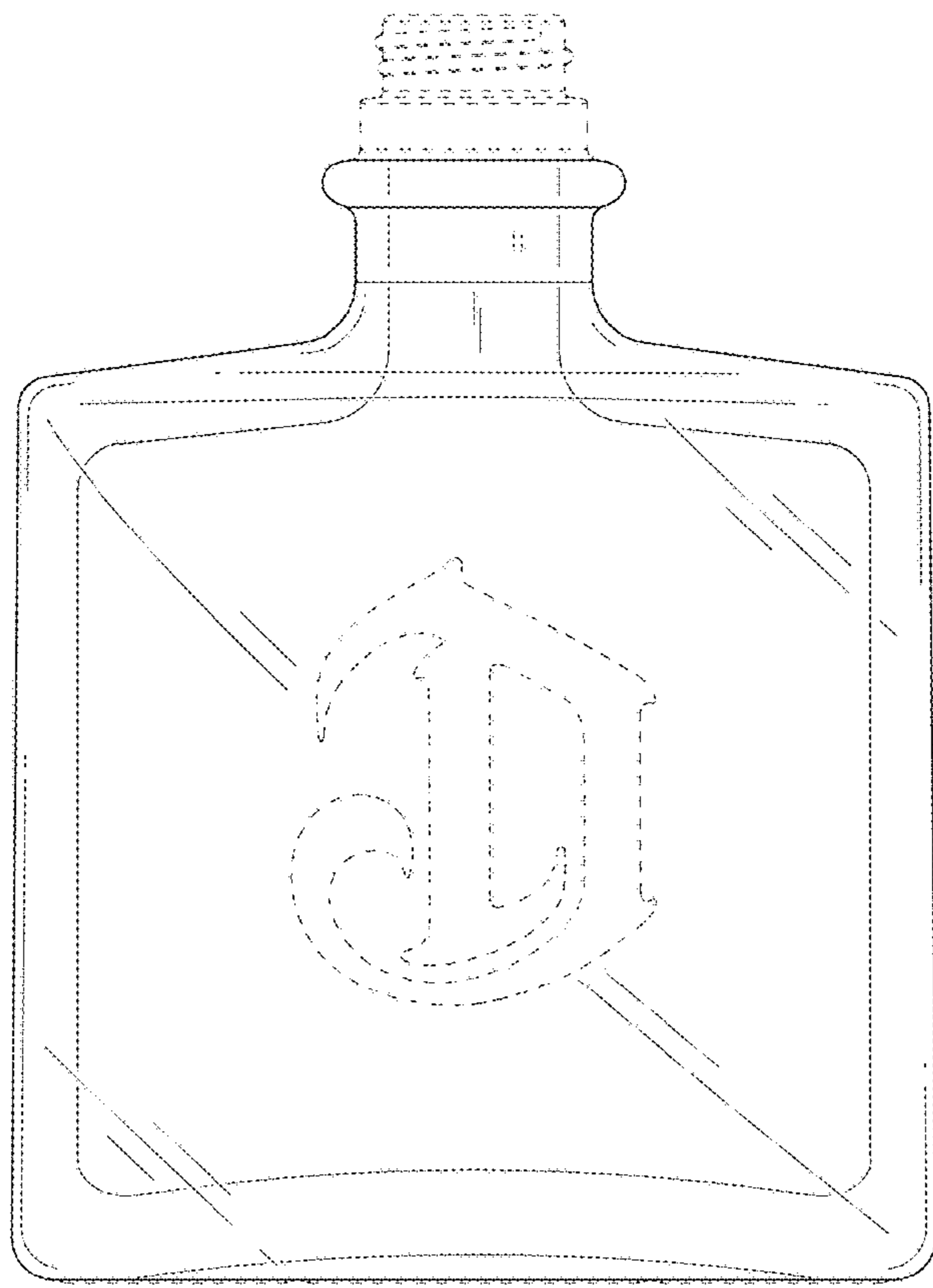


FIG. 10

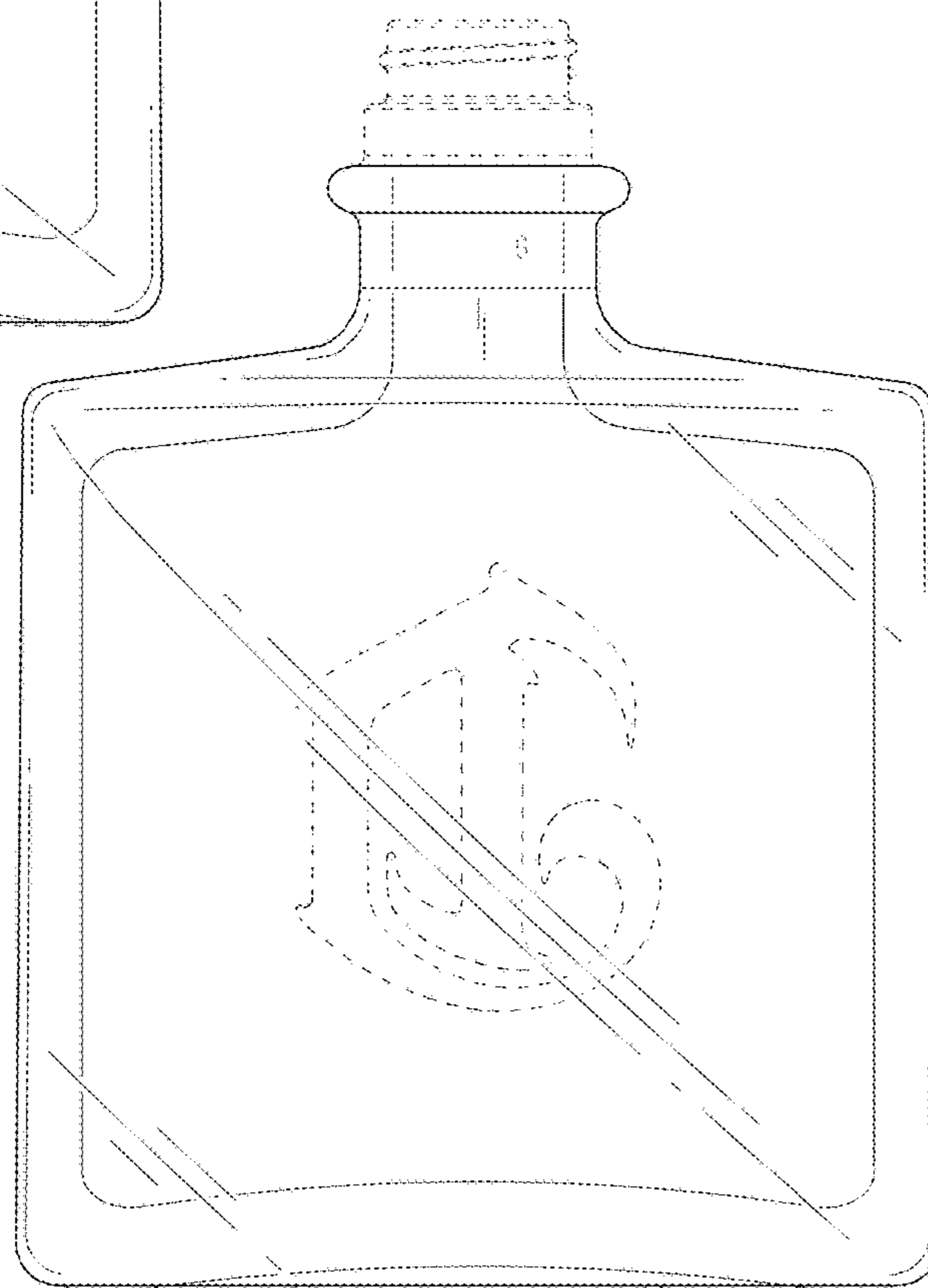


FIG. 11

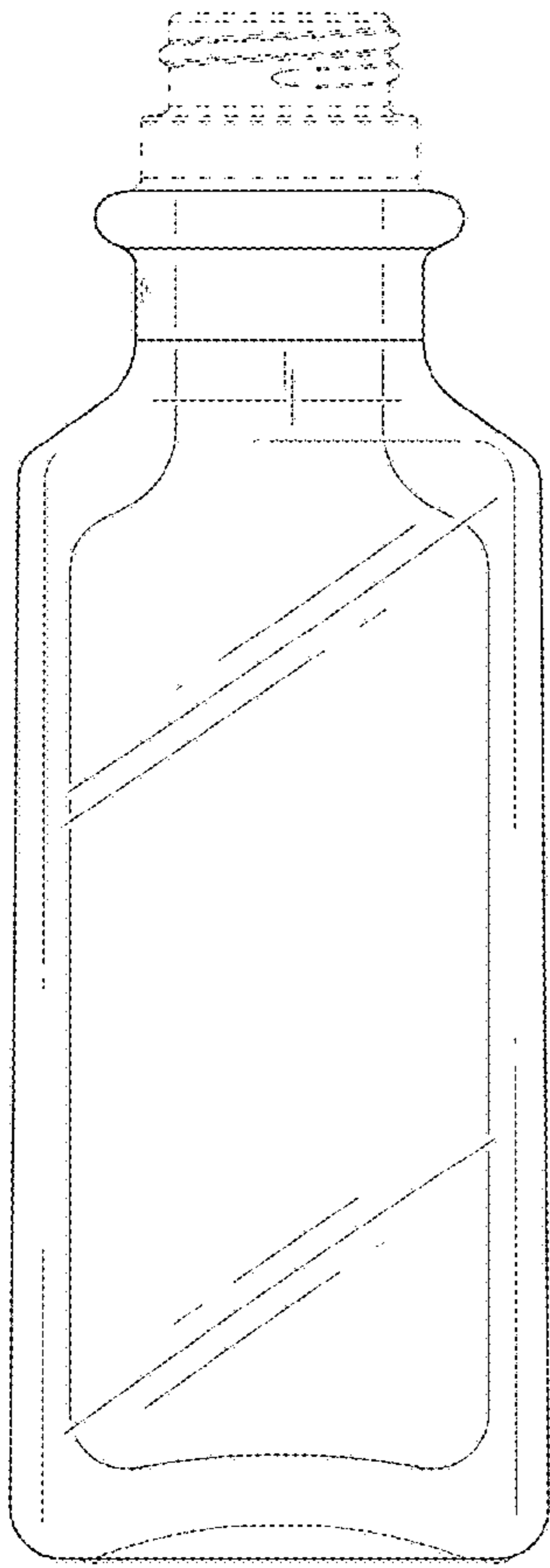


FIG. 12

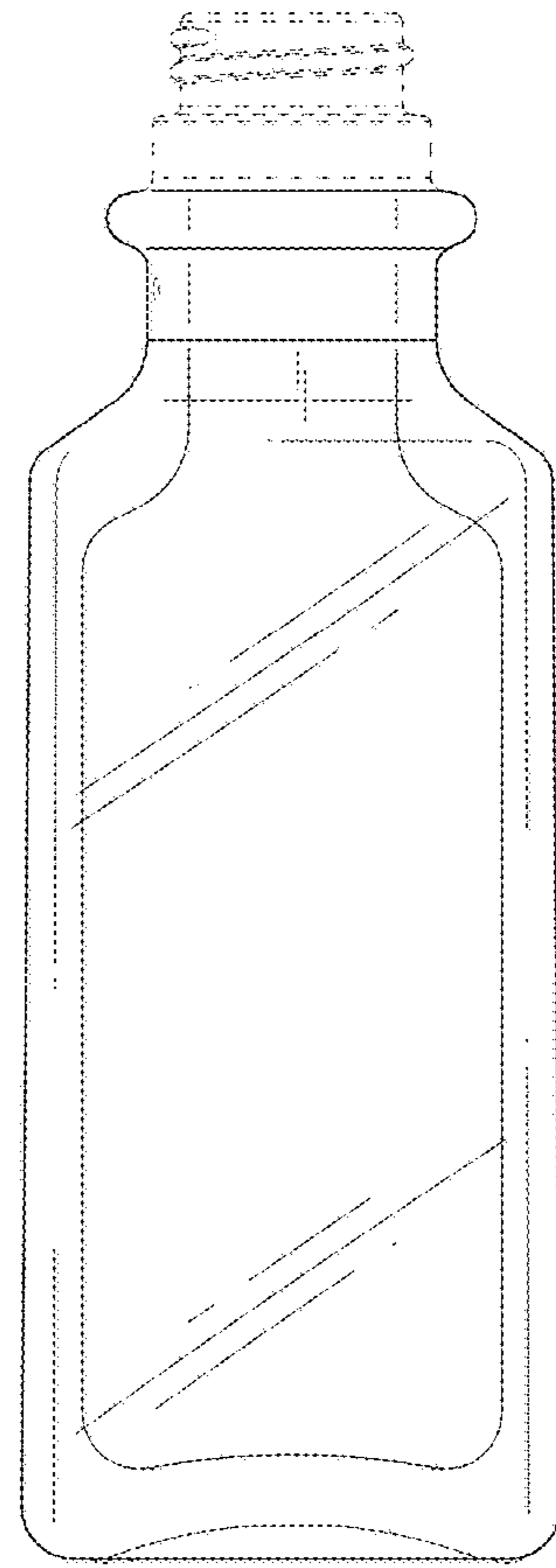


FIG. 13

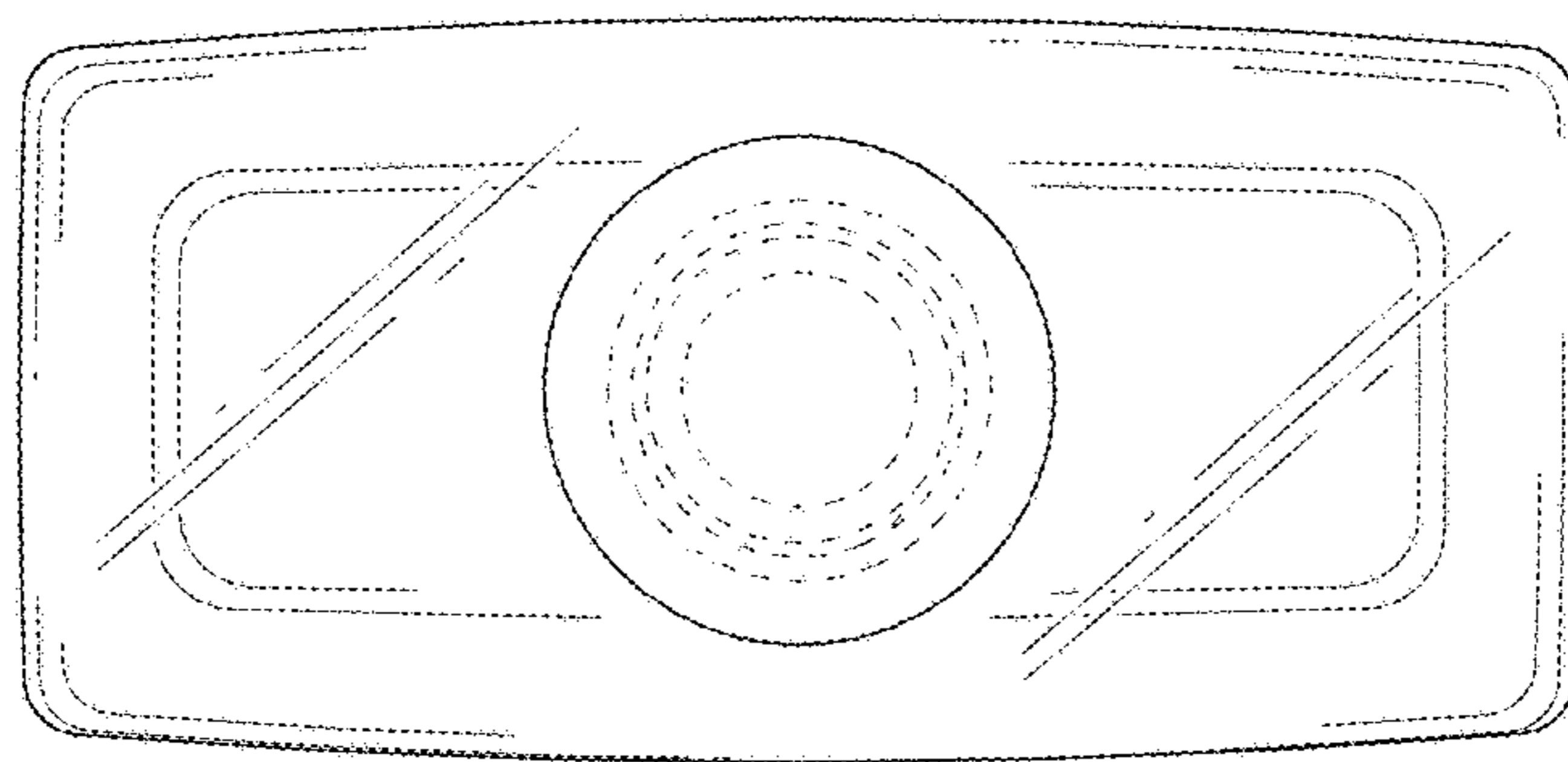


FIG. 14

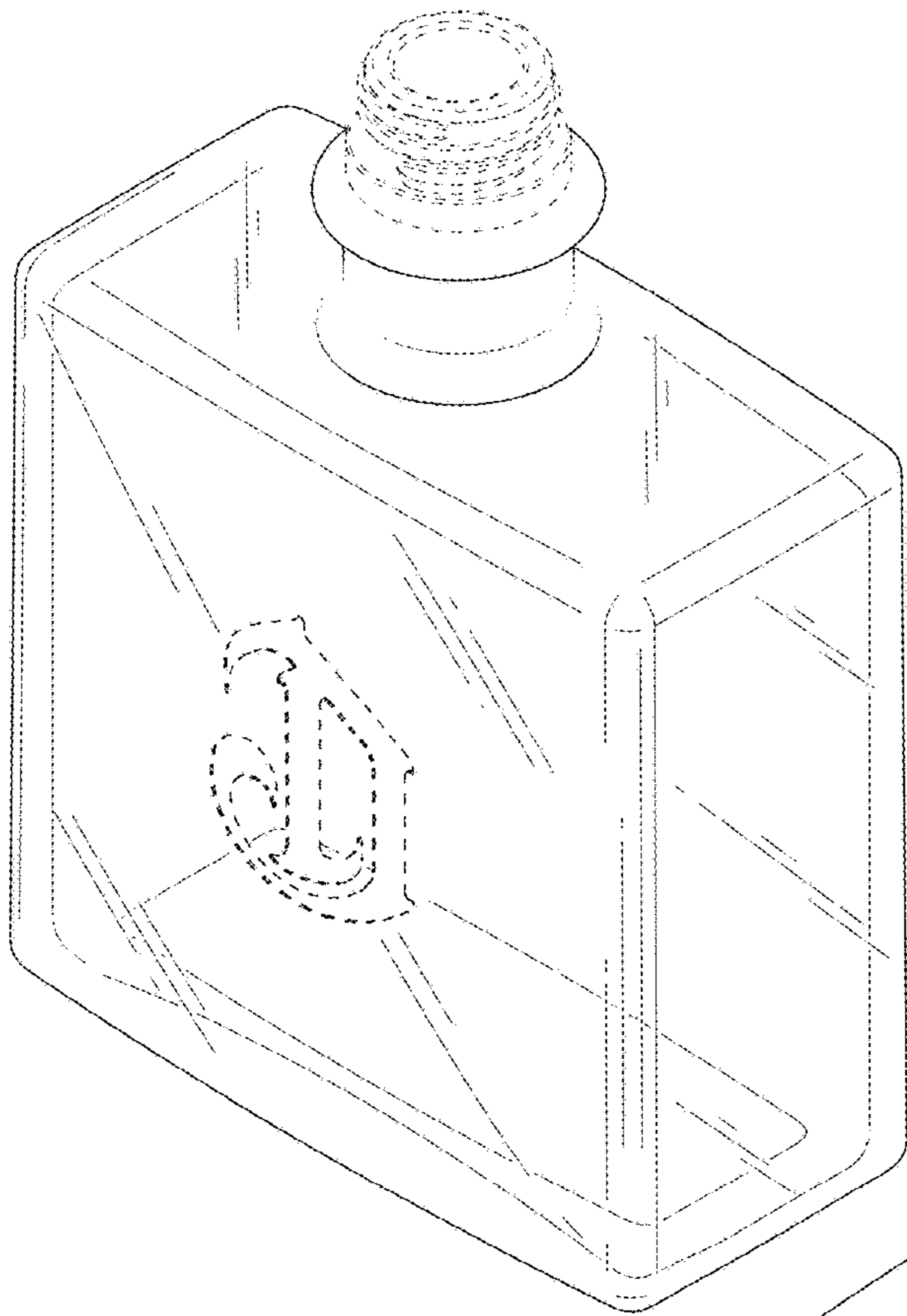


FIG. 15

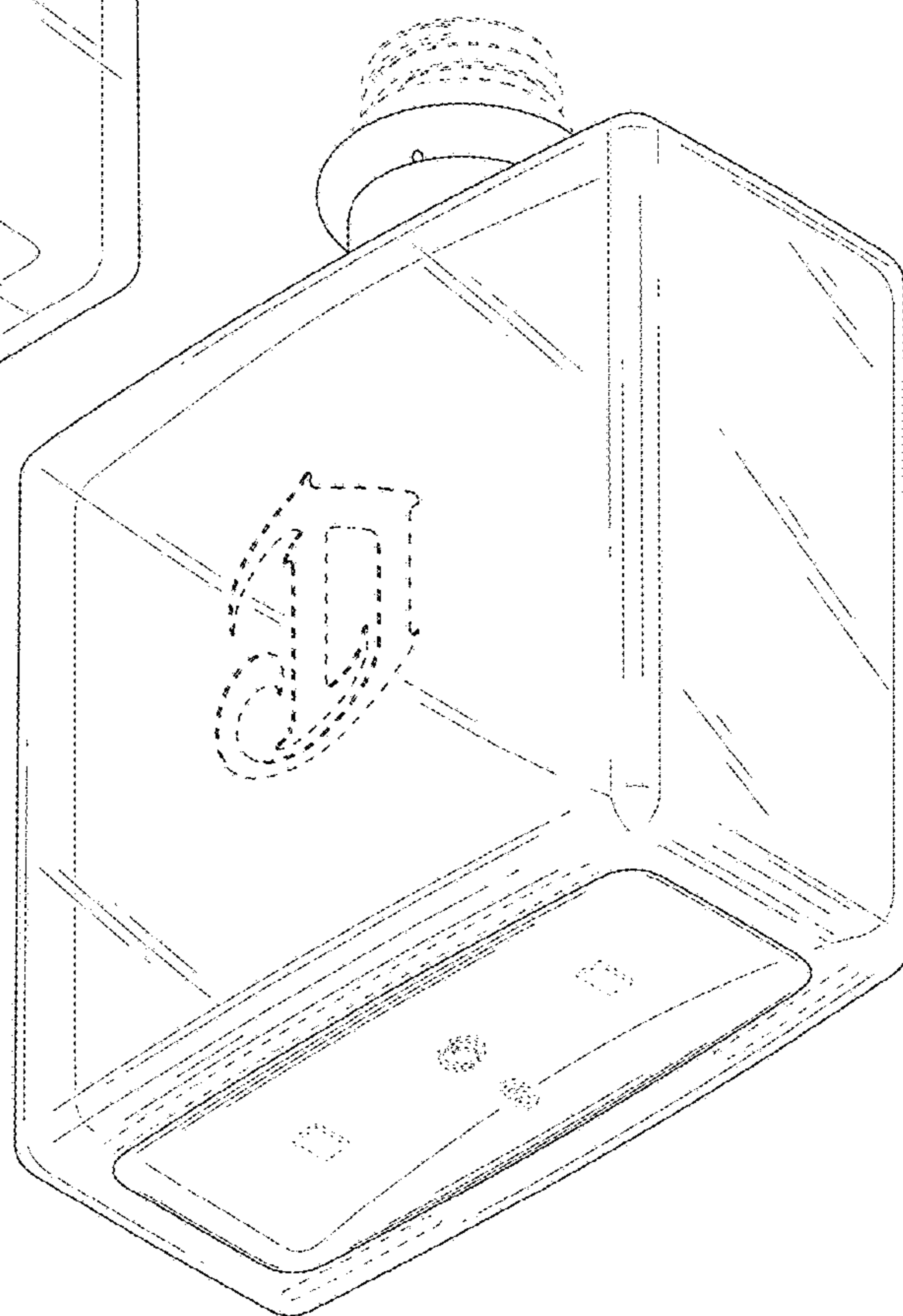


FIG. 16

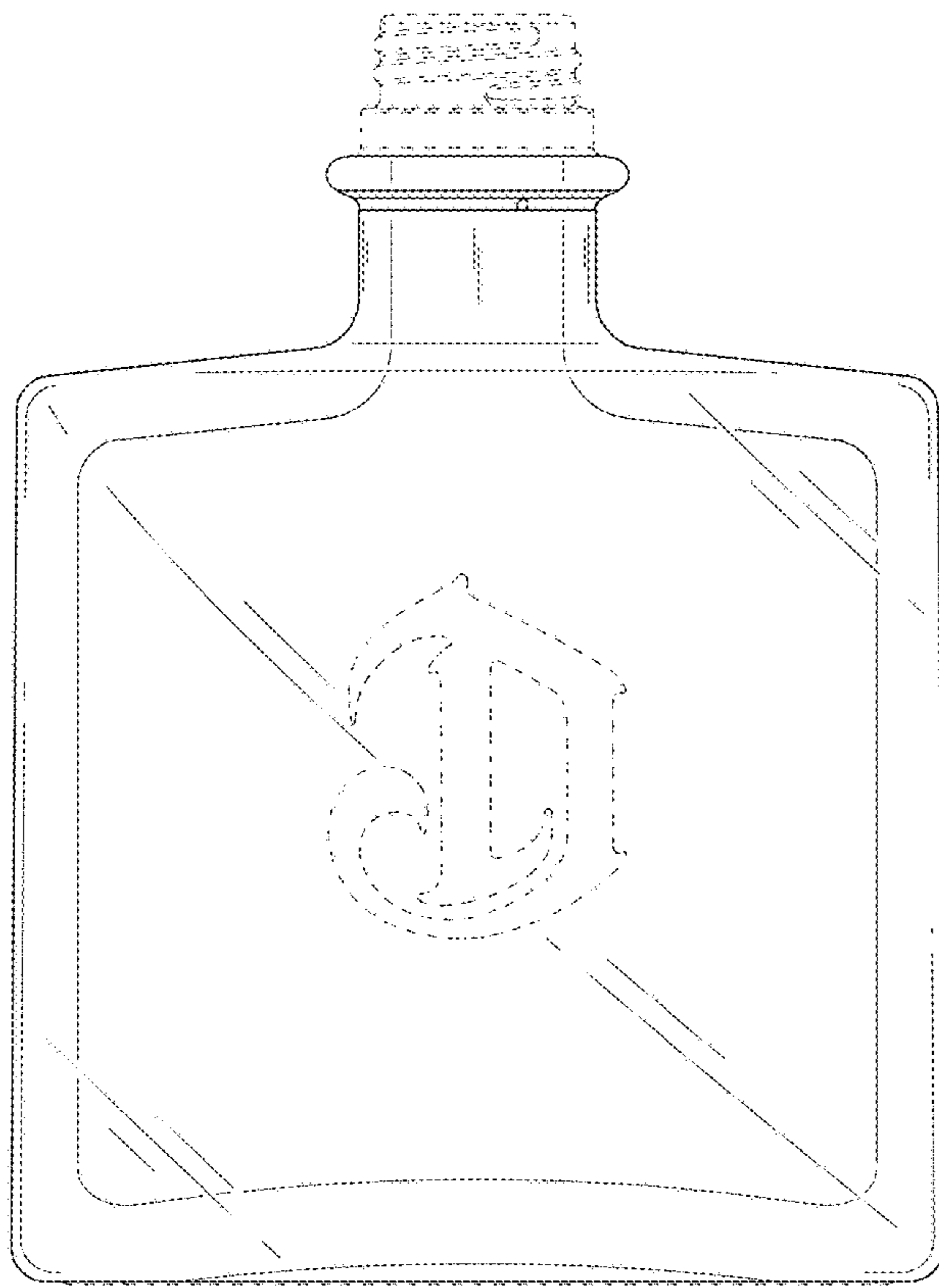


FIG. 17

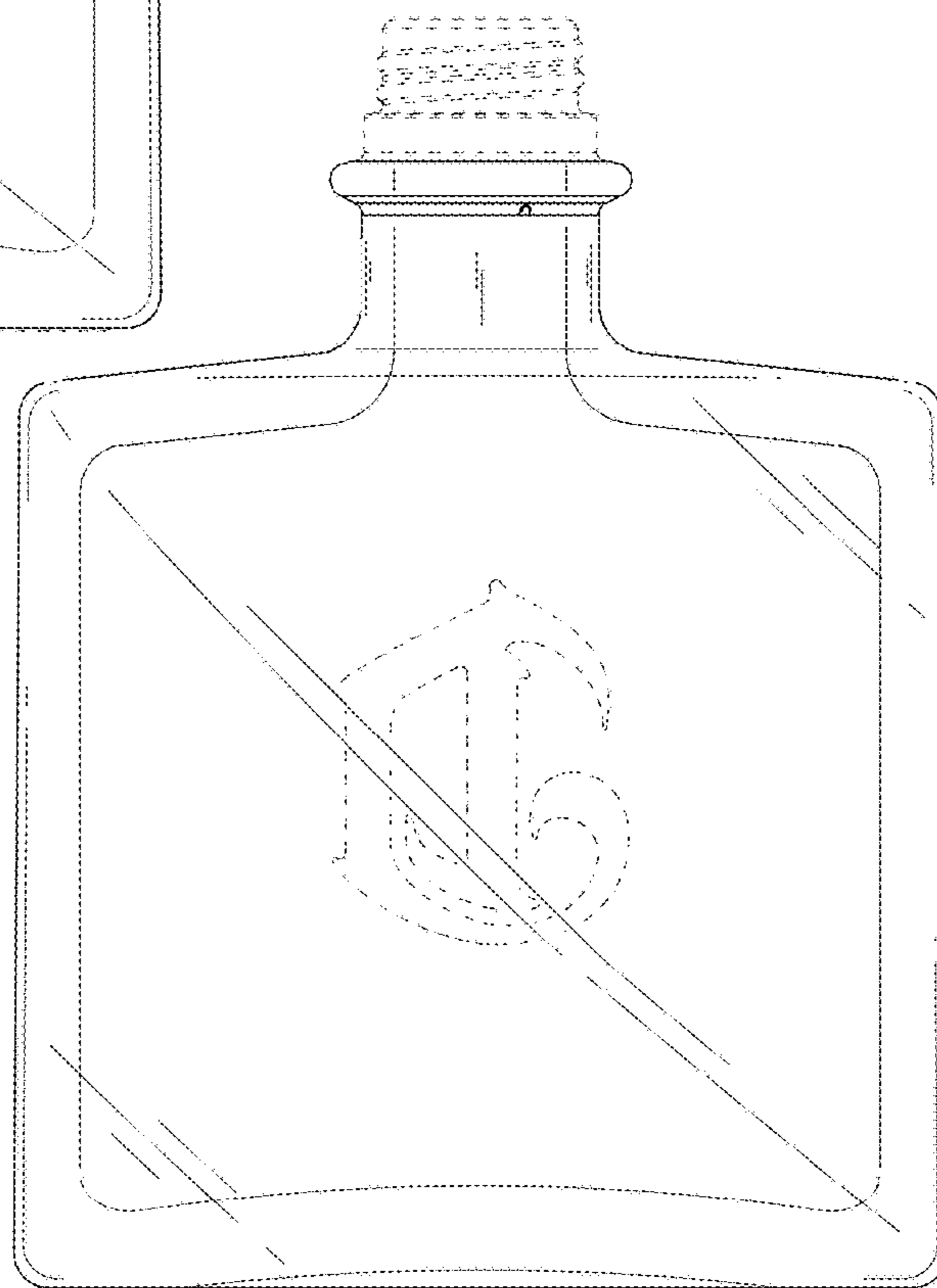


FIG. 18

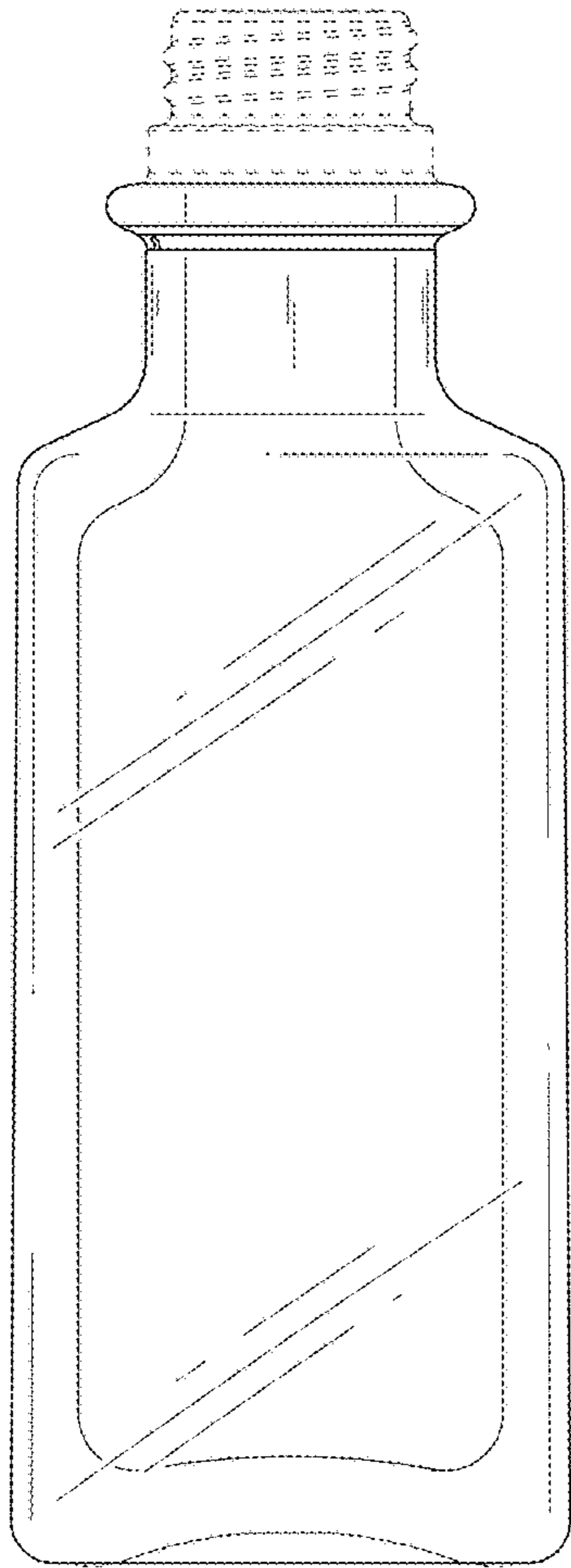


FIG. 19

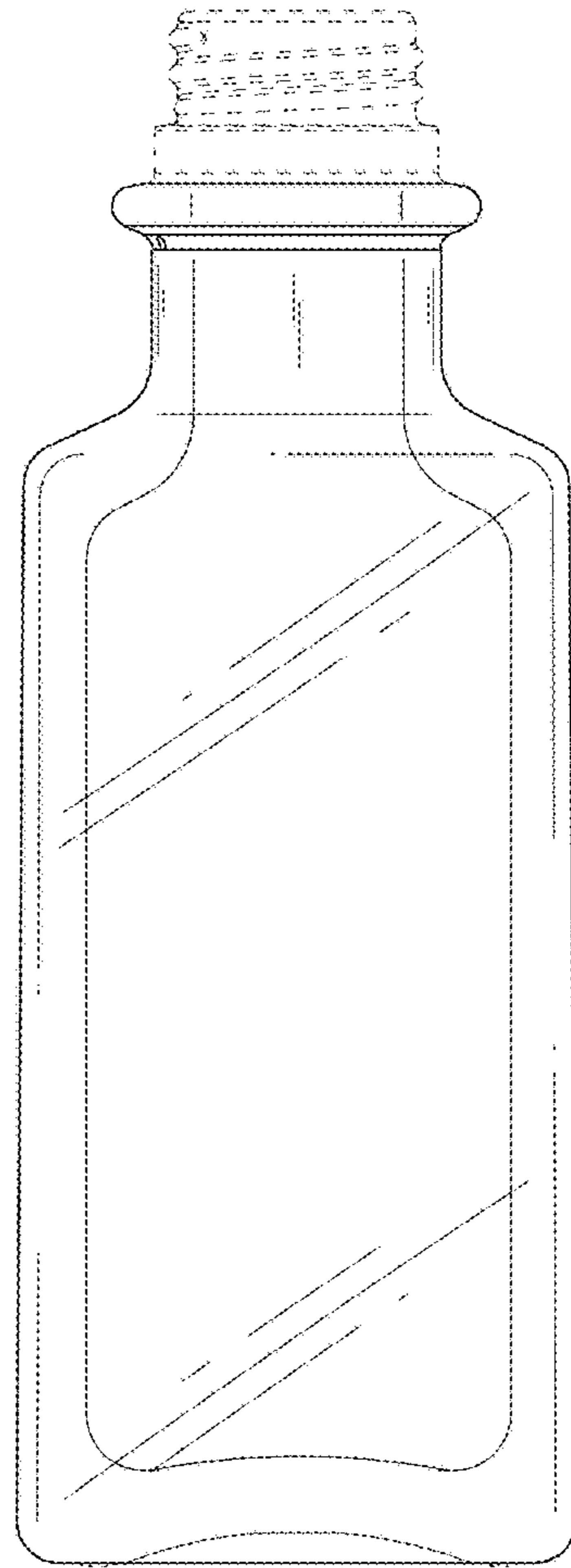


FIG. 20

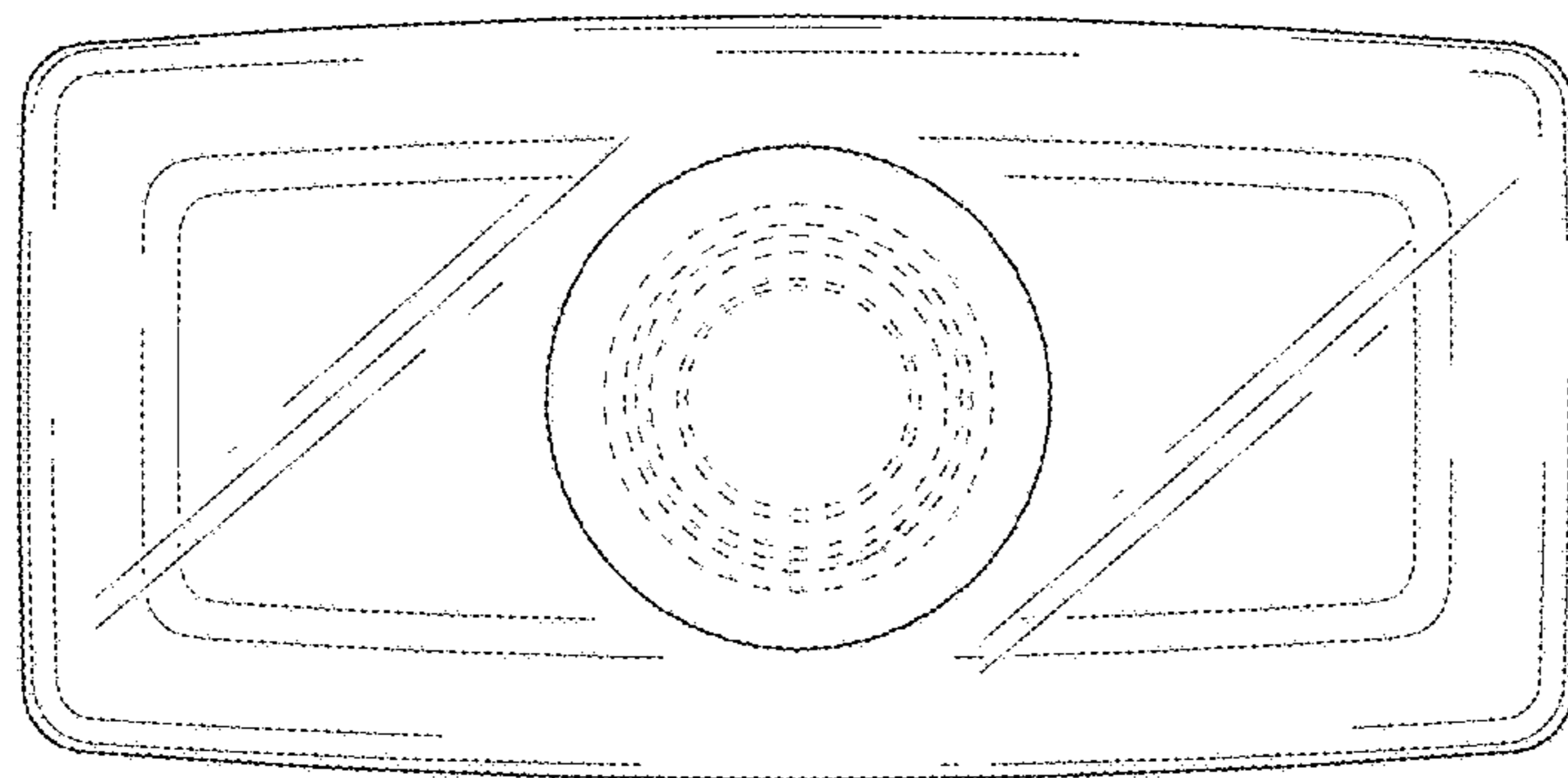


FIG. 21

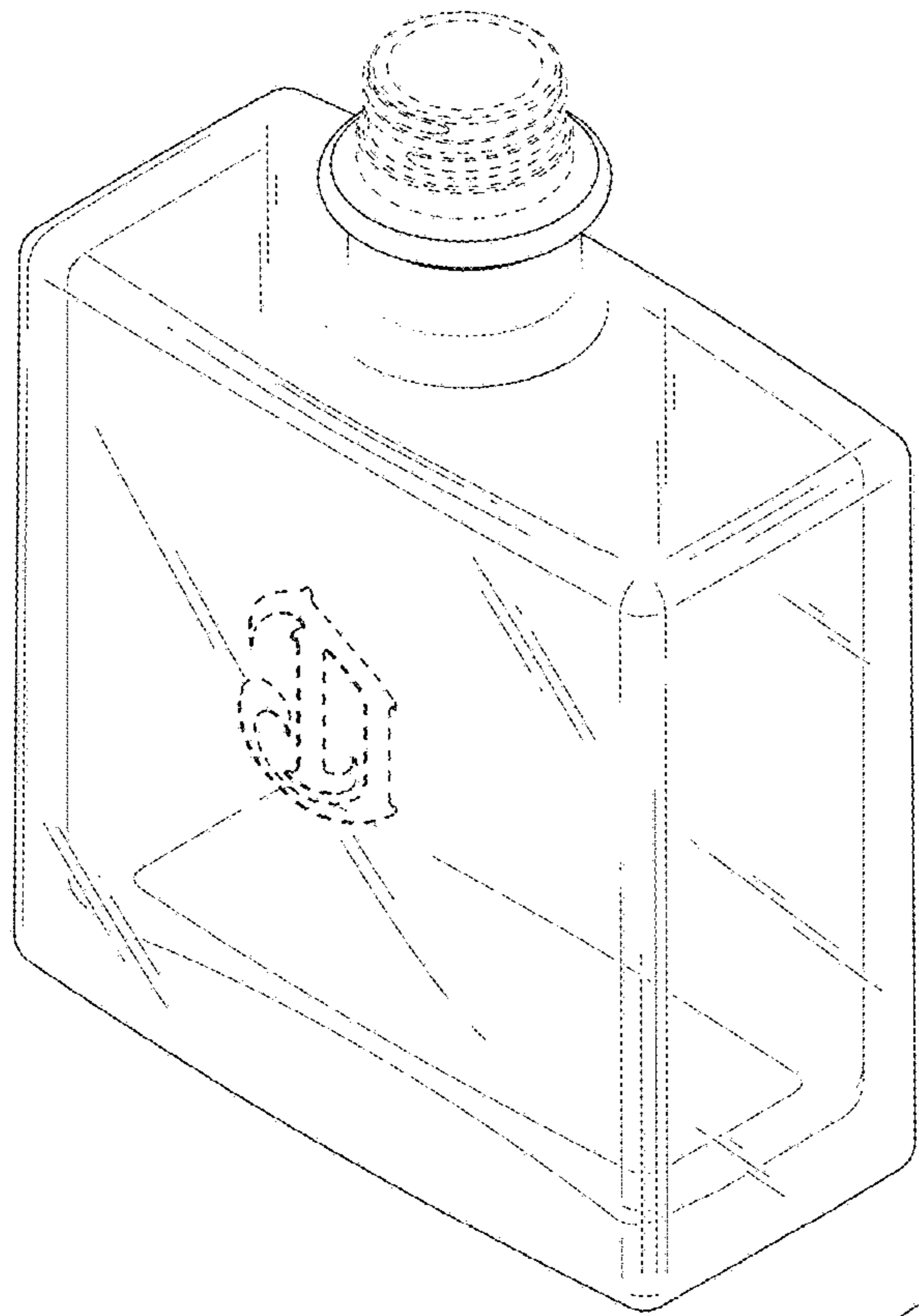


FIG. 22

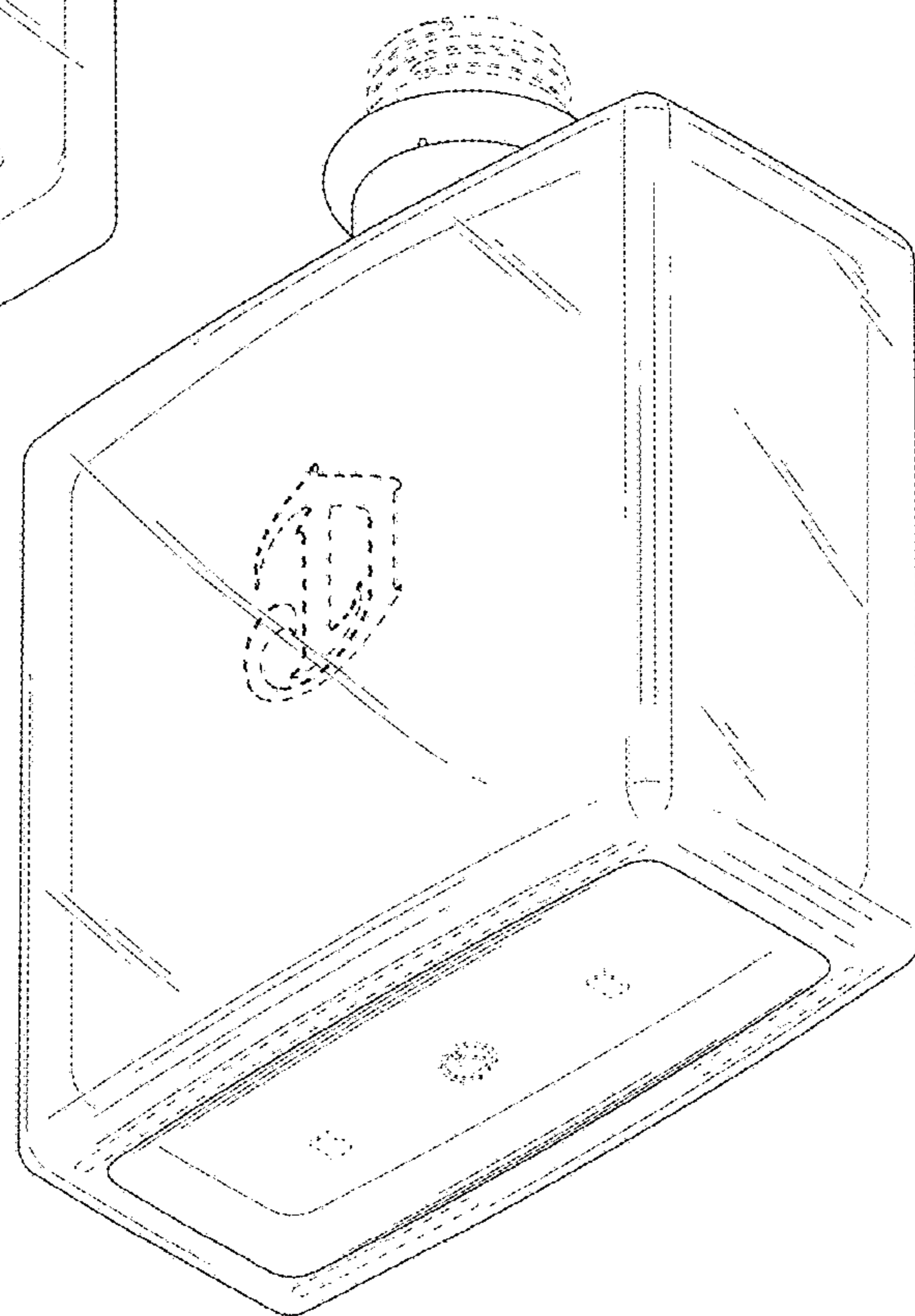


FIG. 23

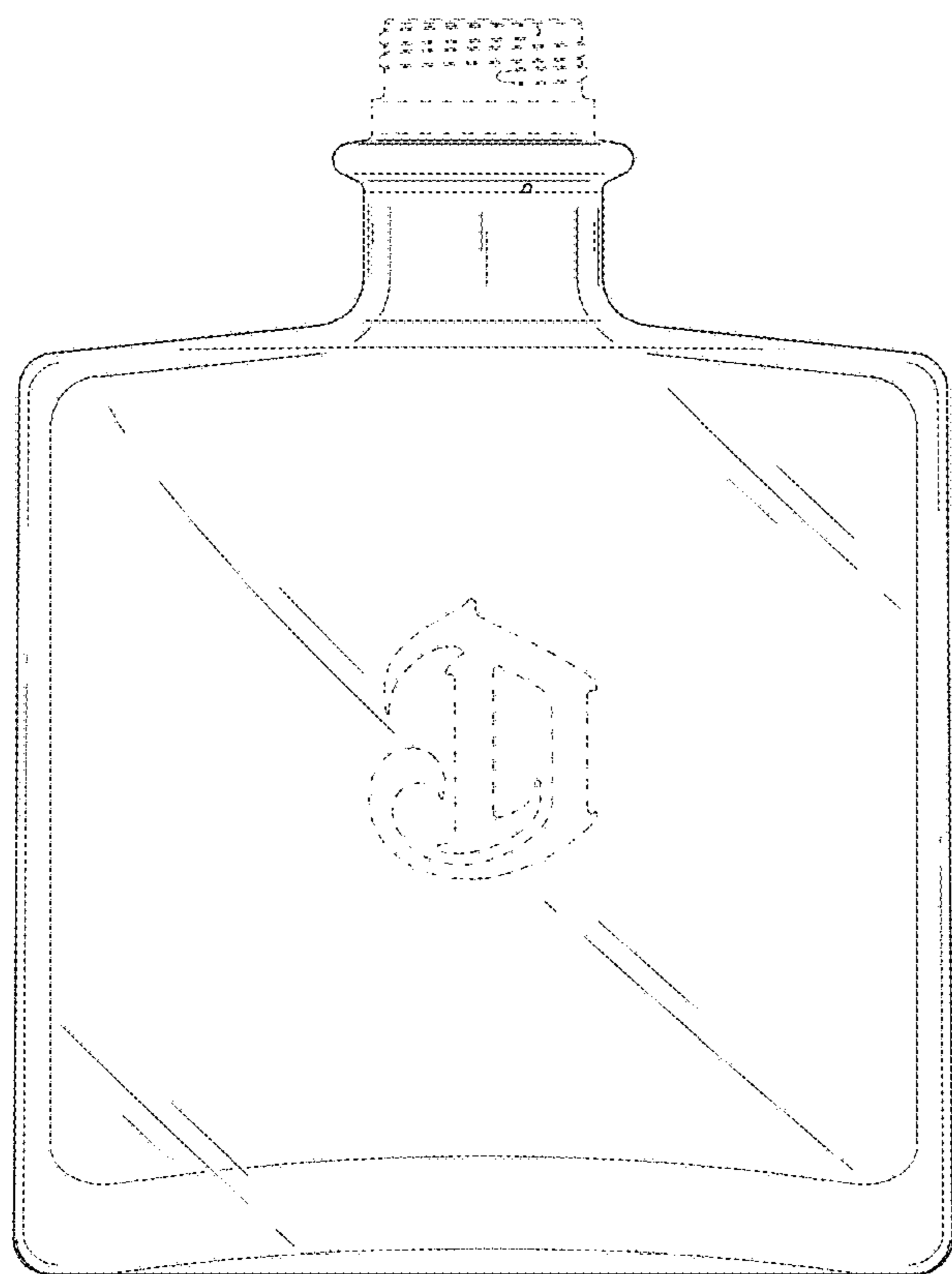


FIG. 24

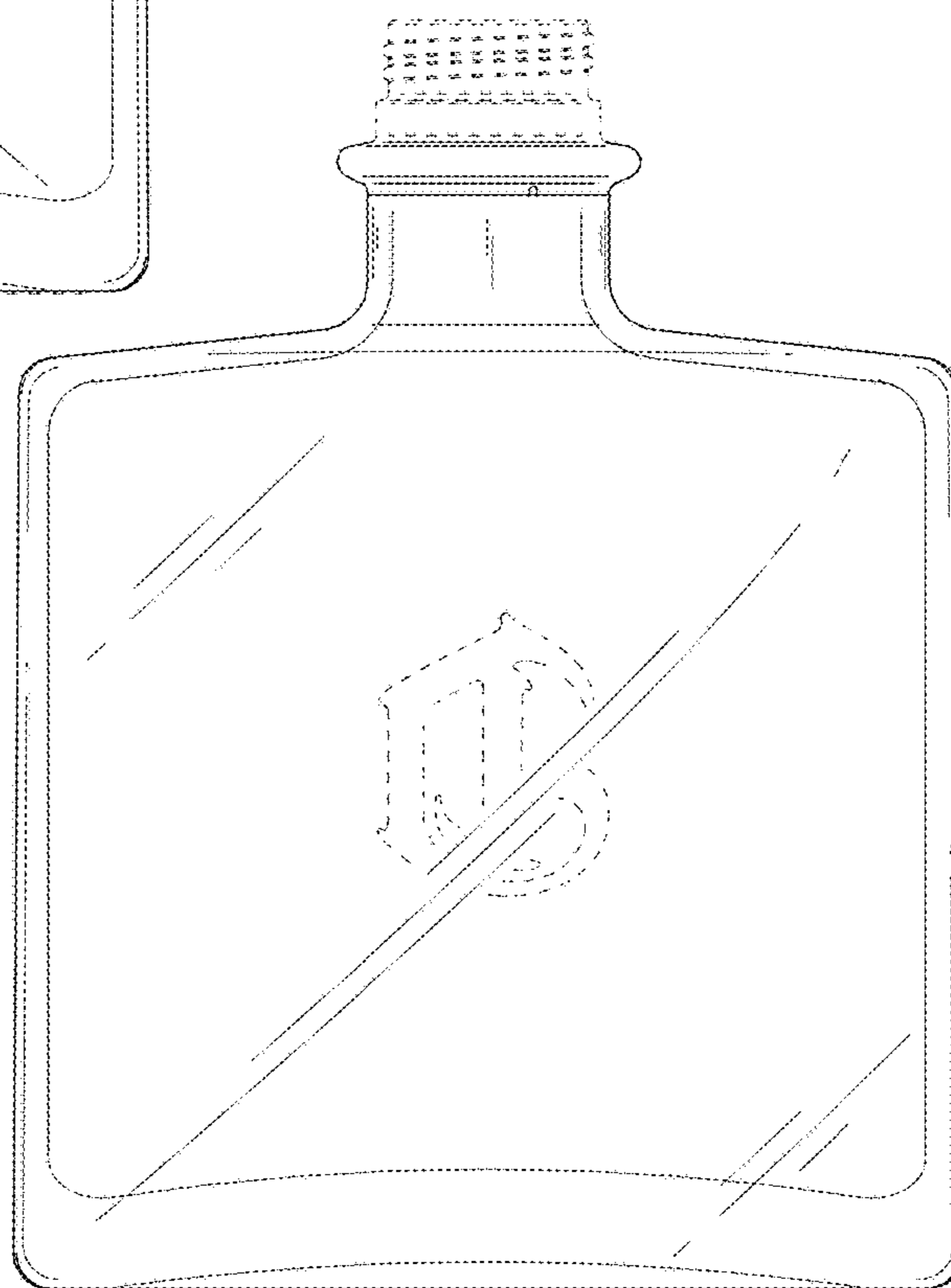


FIG. 25

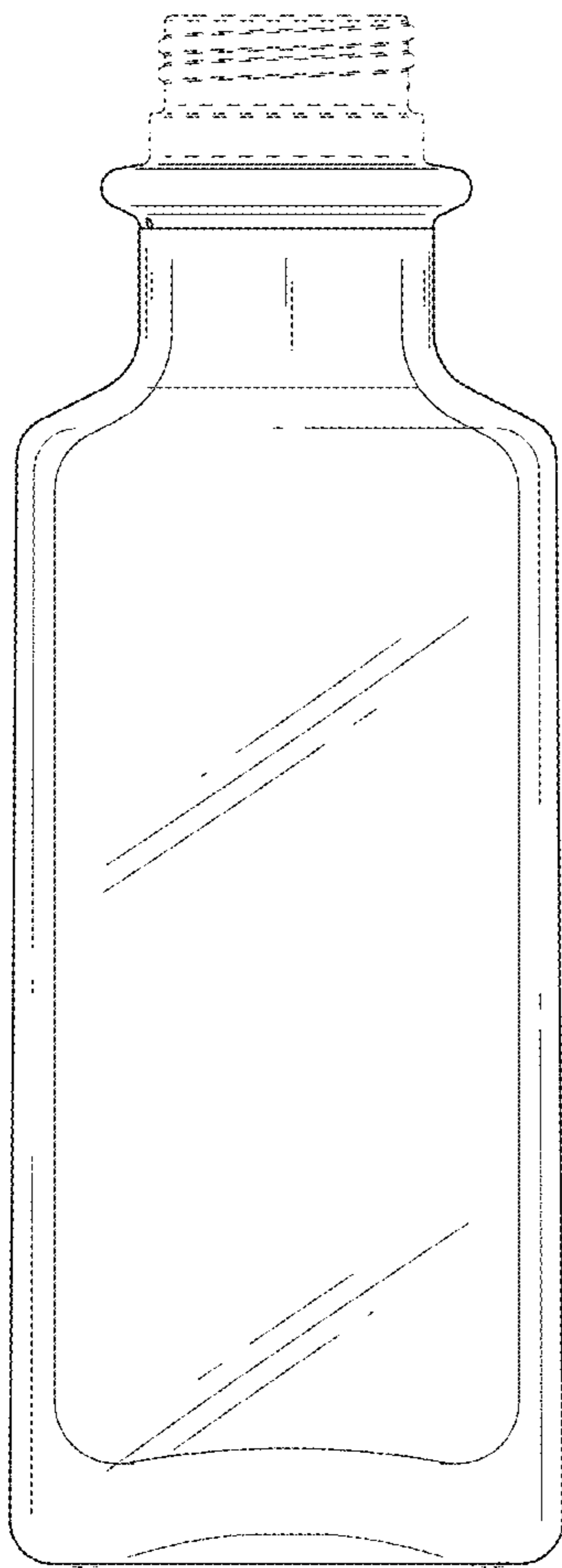


FIG. 26

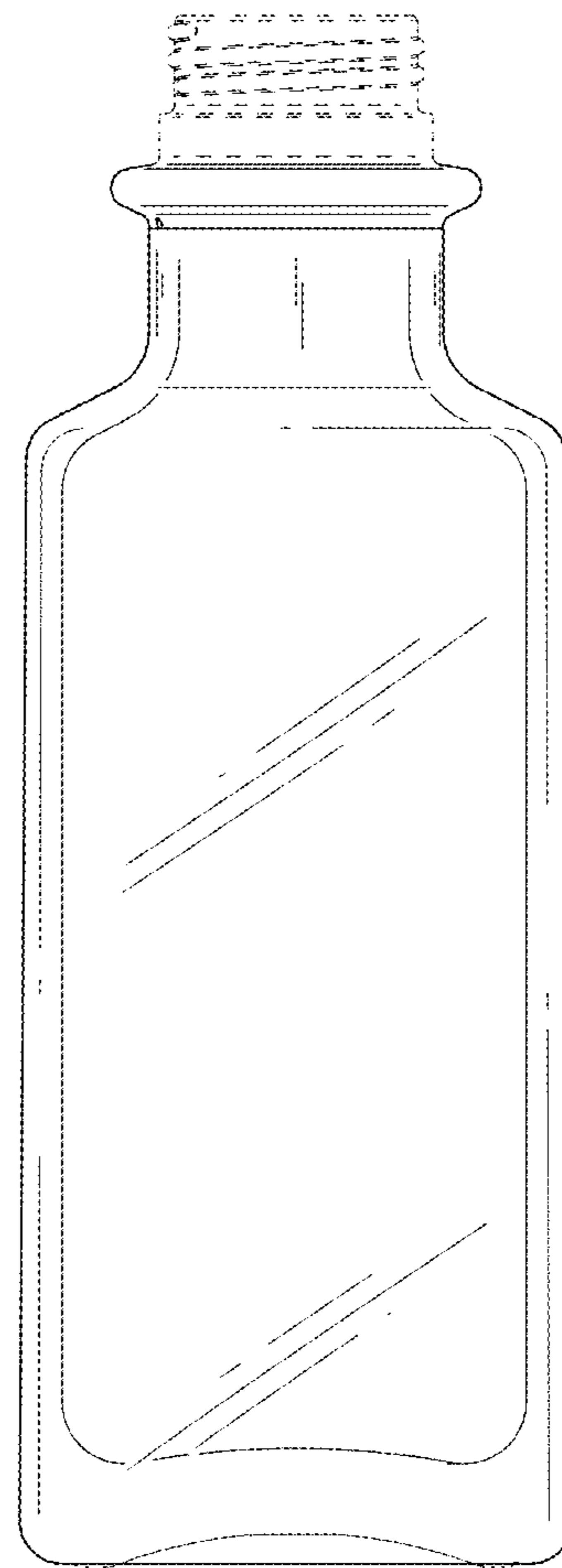


FIG. 27

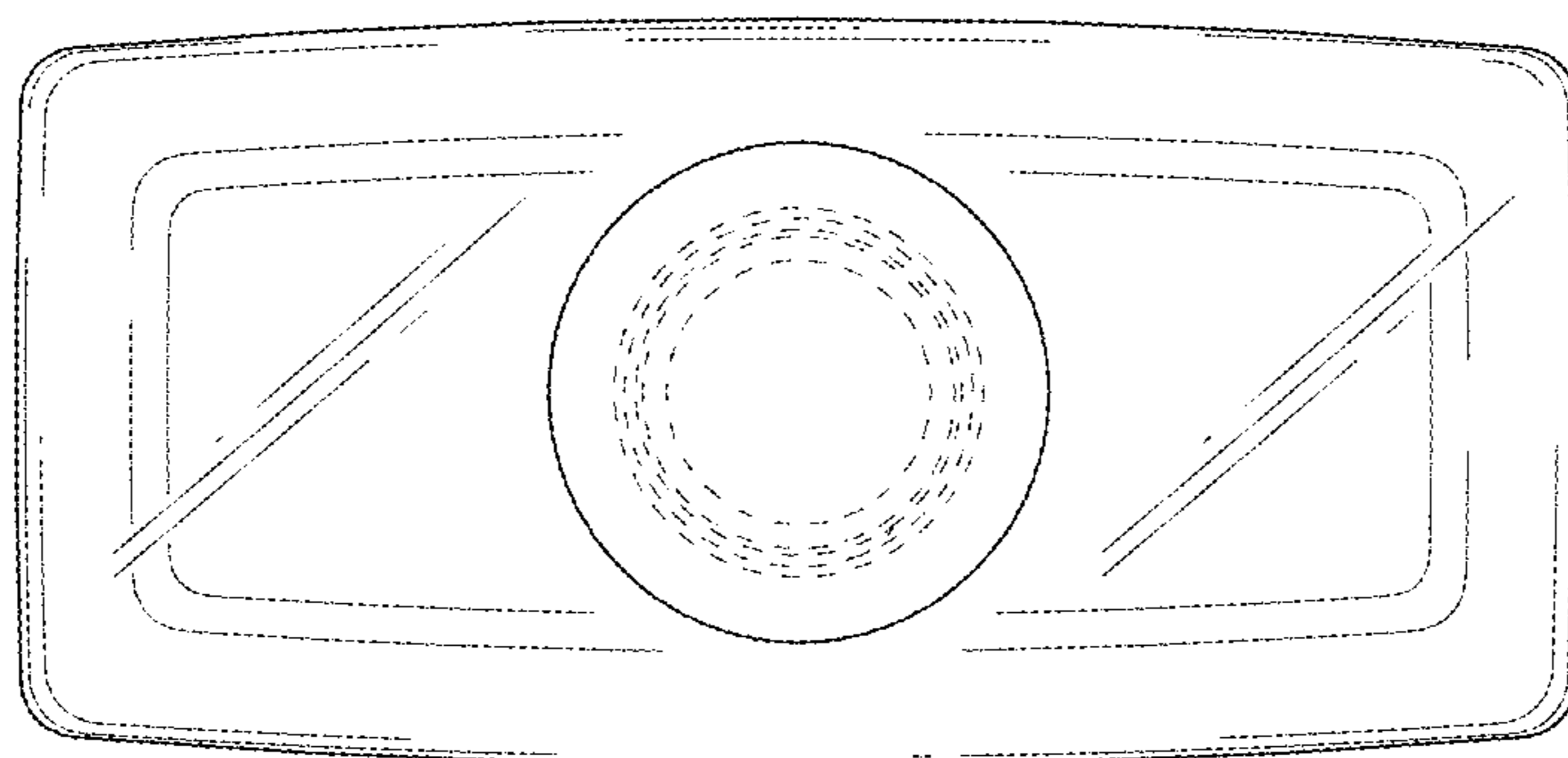


FIG. 28