

US00D784142S

(12) **United States Design Patent** (10) **Patent No.:** **US D784,142 S**
Blin (45) **Date of Patent:** **** Apr. 18, 2017**

(54) **BOTTLE**
(71) Applicant: **SOCIETE DES EAUX DE VOLVIC,**
Volvic (FR)
(72) Inventor: **Christophe Blin,** Bouc Bel Air (FR)
(73) Assignee: **SOCIETE DES EAUX DE VOLVIC,**
Volvic (FR)
(**) Term: **14 Years**
(21) Appl. No.: **29/523,162**
(22) Filed: **Apr. 7, 2015**
(51) **LOC (10) Cl.** **09-01**
(52) **U.S. Cl.**
USPC **D9/520; D9/565; D9/575**
(58) **Field of Classification Search**
USPC D9/516, 520, 522, 530, 537, 539, 540,
D9/542, 543, 544, 549, 560, 565-569,
D9/571, 574, 715, 719
CPC B65D 81/00; B65D 1/02; B65D 1/0207;
B65D 1/0223; B65D 1/0284; B65D
2501/0027
See application file for complete search history.

D677,575 S * 3/2013 Barnard D9/520
D698,656 S * 2/2014 Fleischhacker D9/516
D741,718 S * 10/2015 Hanan D9/552
D749,954 S * 2/2016 Darr D9/516
D752,445 S * 3/2016 Jasso Gomez D9/537
D755,636 S * 5/2016 Hanan D9/414
D759,494 S * 6/2016 Hanan D9/552
2012/0000882 A1* 1/2012 Castillo
Higareda B65D 1/0223
215/383
2014/0183202 A1* 7/2014 Hanan B65D 1/0284
220/669
2014/0190927 A1* 7/2014 Lane B65D 1/0284
215/373
2014/0197127 A1* 7/2014 Lane B65D 1/0284
215/371
2015/0298848 A1* 10/2015 Hermel B65D 1/0284
215/373

* cited by examiner

Primary Examiner — Ian Simmons
Assistant Examiner — Keith Frank
(74) *Attorney, Agent, or Firm* — DLA Piper LLP (US);
Gianni Minutoli

(57) **CLAIM**

The ornamental design for a bottle, as shown and described.

(56) **References Cited**

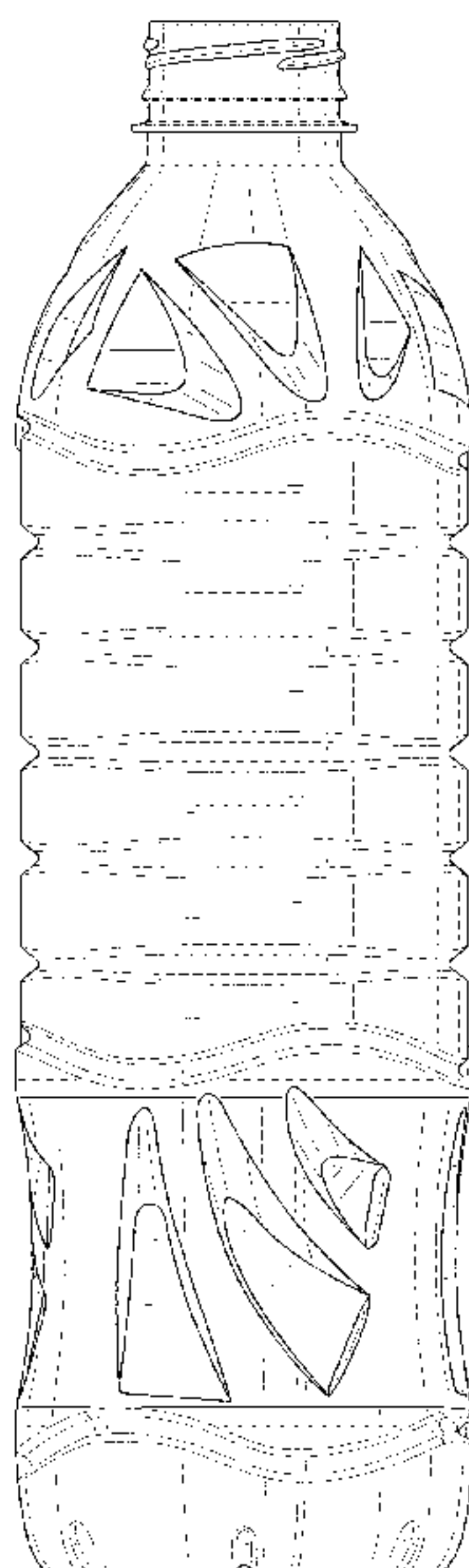
U.S. PATENT DOCUMENTS

5,238,129 A * 8/1993 Ota B65D 1/0223
215/381
D381,272 S * 7/1997 Coons D9/540
D455,964 S * 4/2002 Patterson D9/552
D560,500 S * 1/2008 Venkataraman D9/538
D582,290 S * 12/2008 Dimmel D9/550
D598,778 S * 8/2009 Lepoitevin D9/552
D609,108 S * 2/2010 George D9/520
D633,391 S * 3/2011 Caldwell D9/516
D635,458 S * 4/2011 Braun D9/516
D671,007 S * 11/2012 Lovelace, Jr. D9/516
D677,574 S * 3/2013 Barnard D9/538

DESCRIPTION

FIG. 1 is a perspective side view of a bottle showing my new design;
FIG. 2 is a front view of the bottle;
FIG. 3 is a rear view of the bottle;
FIG. 4 is a right side view of the bottle;
FIG. 5 is a left side view of the bottle;
FIG. 6 is a top view of the bottle; and,
FIG. 7 is a bottom view of the bottle.
The broken lines in the drawings illustrate the portions of the bottle that form no part of the claimed design.

1 Claim, 7 Drawing Sheets



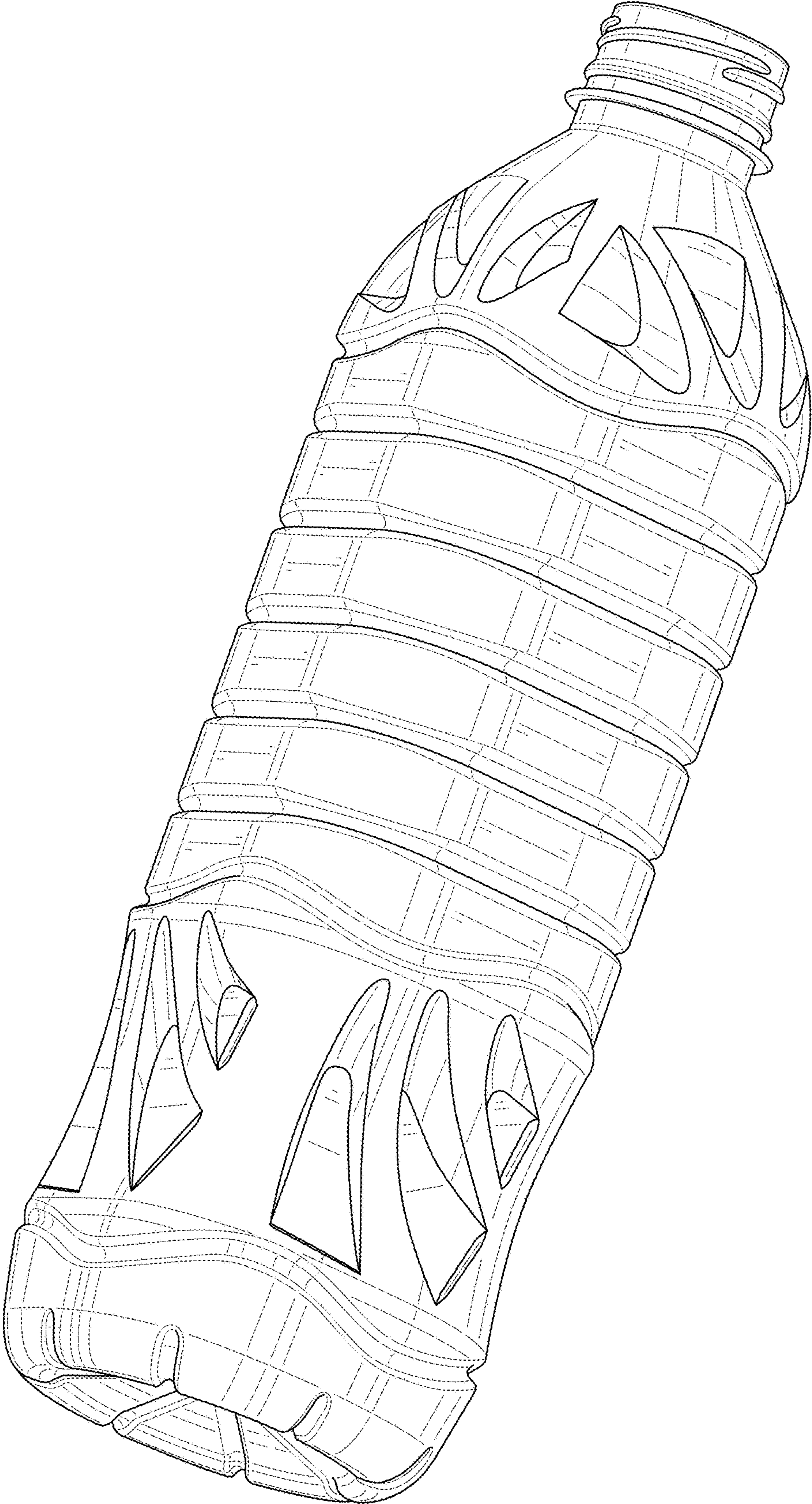


FIG. 1

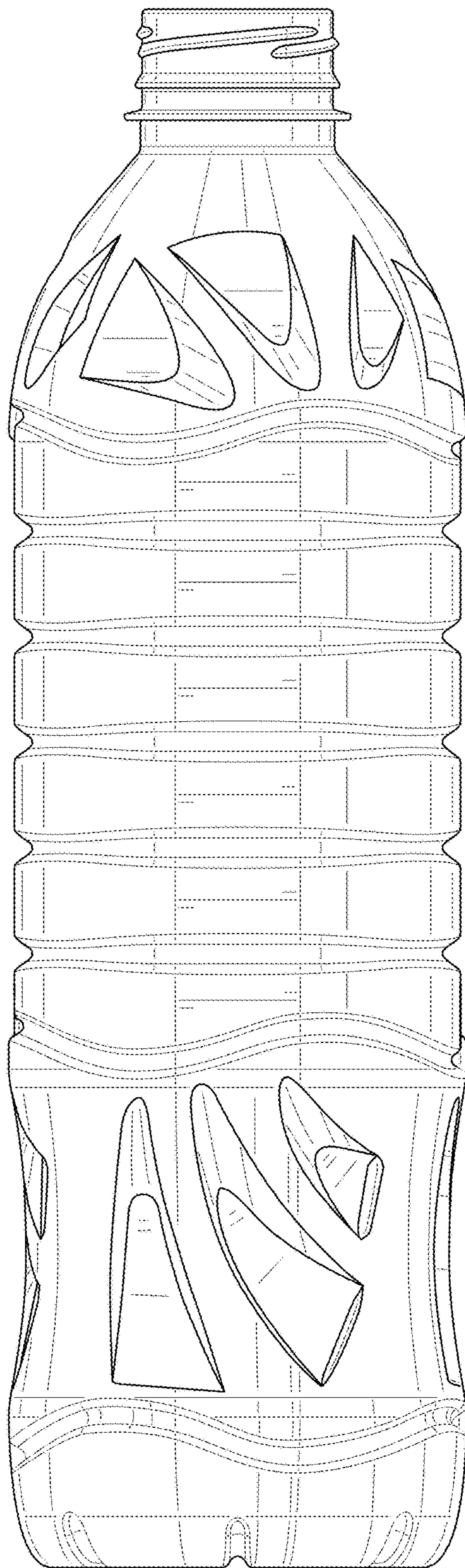


FIG. 2

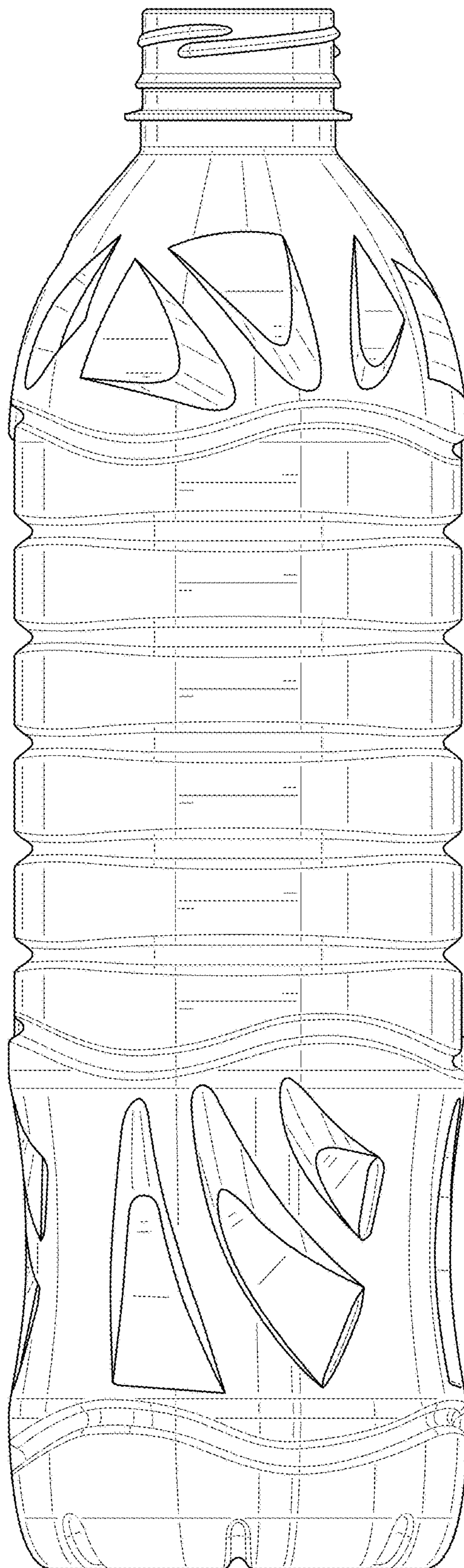


FIG. 3

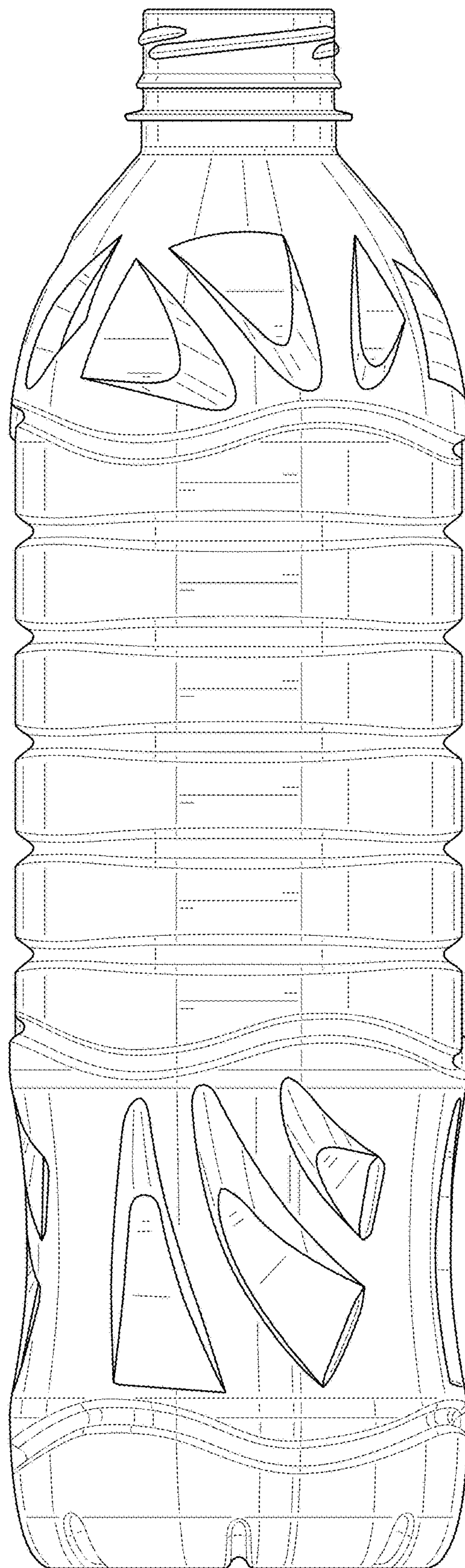


FIG. 4

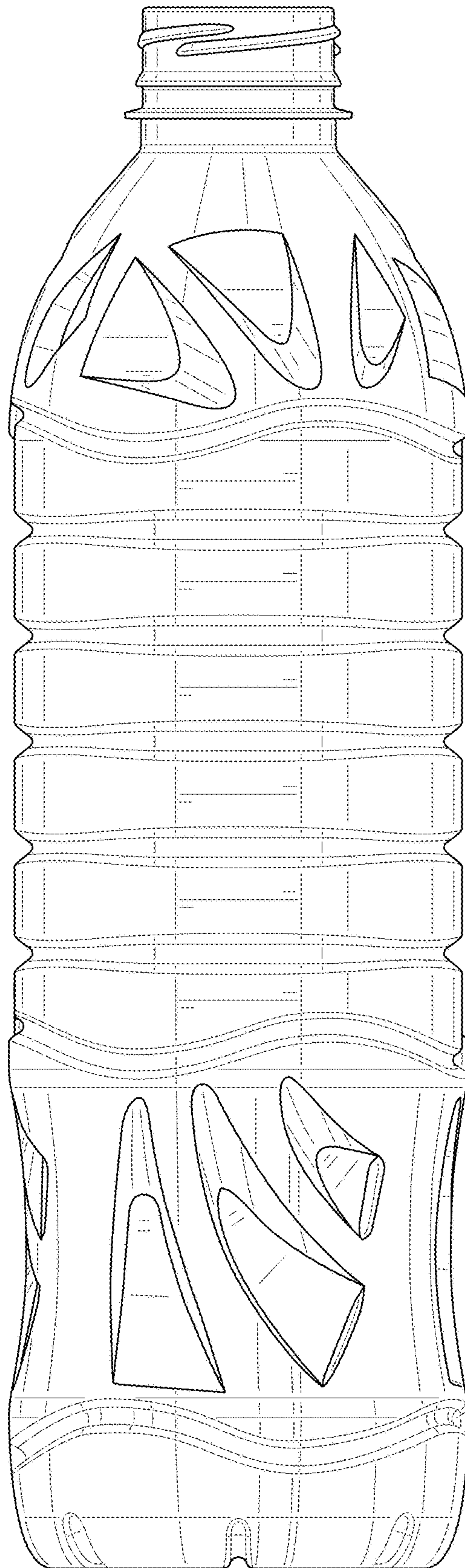


FIG. 5

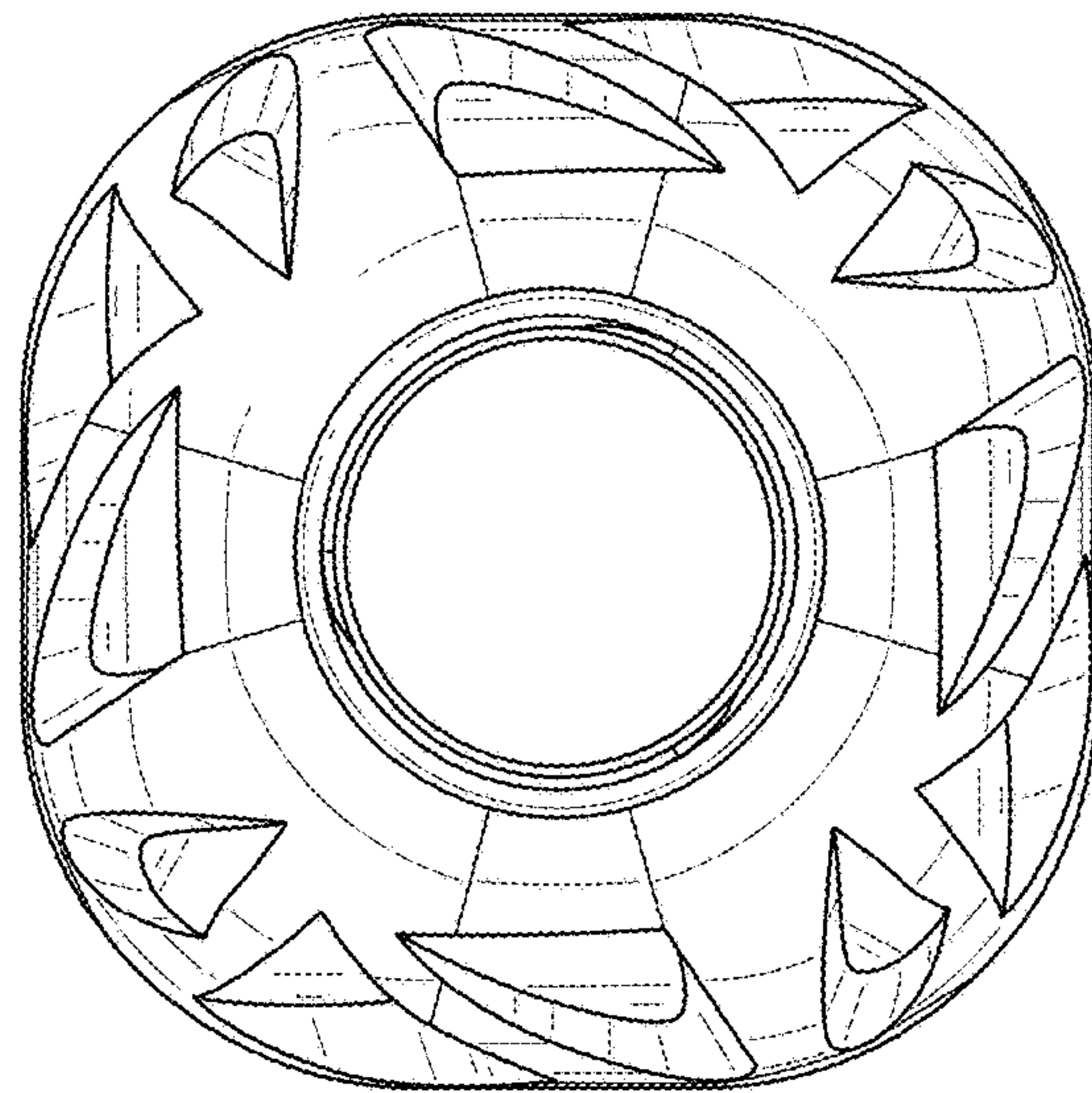


FIG. 6

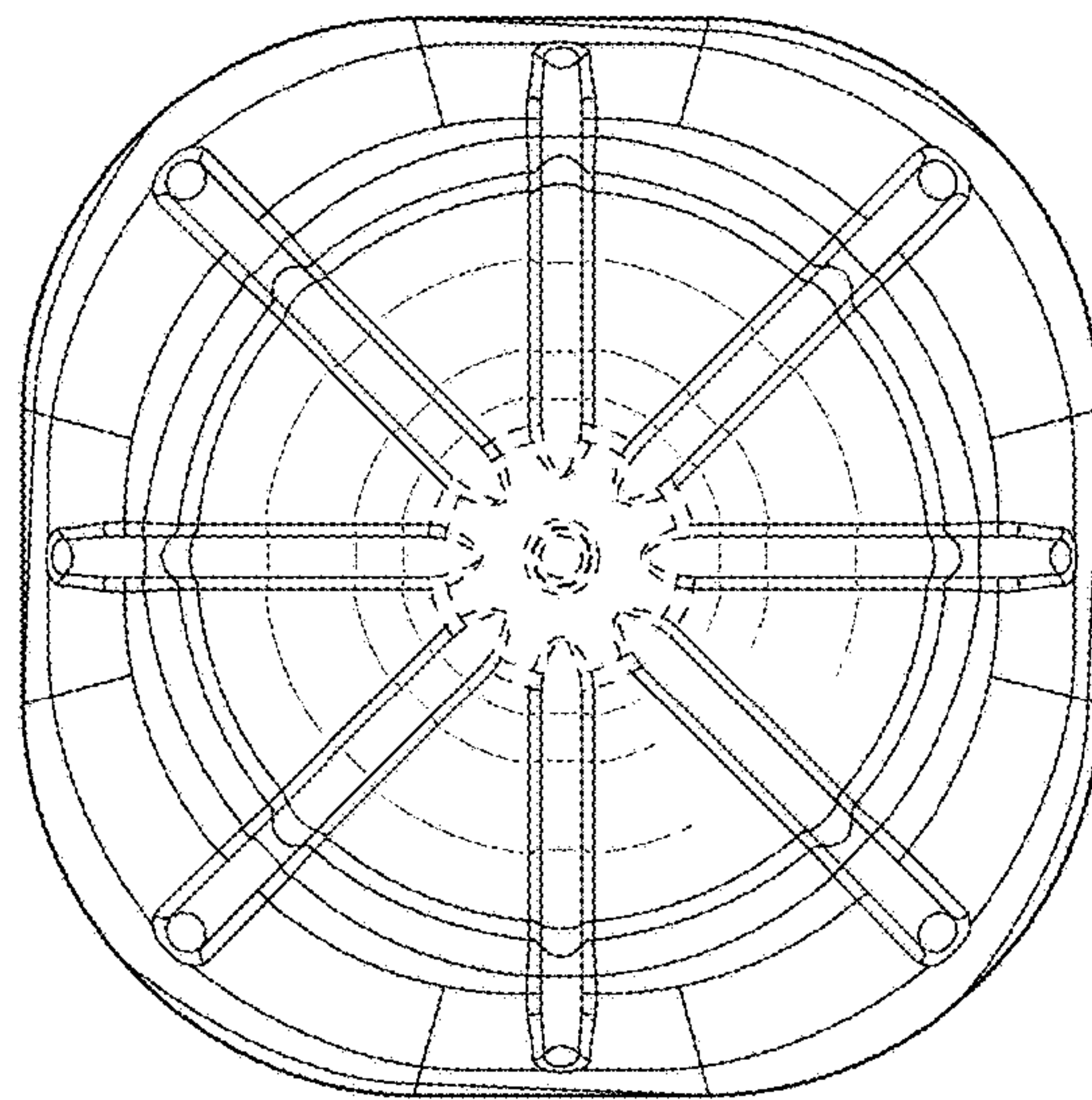


FIG. 7