



US00D784138S

(12) **United States Design Patent**
Kim et al.

(10) **Patent No.:** **US D784,138 S**
(45) **Date of Patent:** **** Apr. 18, 2017**

- (54) **COSMETIC CONTAINER**
- (71) Applicant: **YONWOO CO., LTD.**, Incheon (KR)
- (72) Inventors: **Min-goo Kim**, Incheon (KR); **Su-Jin Son**, Incheon (KR)
- (73) Assignee: **YONWOO CO., LTD.**, Incheon (KR)
- (**) Term: **15 Years**
- (21) Appl. No.: **29/550,244**
- (22) Filed: **Dec. 31, 2015**

2,077,216	A *	4/1937	Conner	A45D 40/0068	215/12.1
2,077,217	A *	4/1937	Conner	A45D 40/0068	215/12.1
2,077,218	A *	4/1937	Conner	A45D 40/0068	215/12.1
D405,699	S *	2/1999	Chae	D9/558	
D479,995	S *	9/2003	Duceppe	D9/434	
D595,570	S *	7/2009	Moretti	D9/434	
D696,120	S *	12/2013	You	D9/454	
D759,489	S *	6/2016	Lee	D9/503	
2008/0138138	A1 *	6/2008	Gueret	A45D 40/26	401/24
2013/0223914	A1 *	8/2013	Duru	A45D 34/00	401/2

- (30) **Foreign Application Priority Data**
Jul. 2, 2015 (KR) 30-2015-0033401
- (51) **LOC (10) Cl.** **28-03**
- (52) **U.S. Cl.**
USPC **D9/503; D9/558; D9/562; D9/454; D9/549**
- (58) **Field of Classification Search**
USPC D9/500-505, 516, 529, 530, 537, 538, D9/541, 549-559, 569, 570, 774, 776, D9/692, 694, 723-728, 745, 746, 562; D28/76-91.1
CPC A45D 33/00; A45D 33/003; A45D 33/006; A45D 33/02; A45D 33/025; A45D 33/18; A45D 33/22; A45D 34/00; A45D 2034/007; A45D 34/02; A45D 40/40; A45D 40/0068; A45D 40/0075; A45D 2040/12; A45D 2200/05; A45D 2200/051; A45D 2200/052; A45D 2200/053
See application file for complete search history.

FOREIGN PATENT DOCUMENTS

CN	301520628	*	4/2011
CN	301946462	*	6/2012
EM	002580449-0001	*	11/2014

* cited by examiner

Primary Examiner — Catherine Tuttle
Assistant Examiner — Mary Malley
(74) *Attorney, Agent, or Firm* — Marshall, Gerstein & Borun LLP

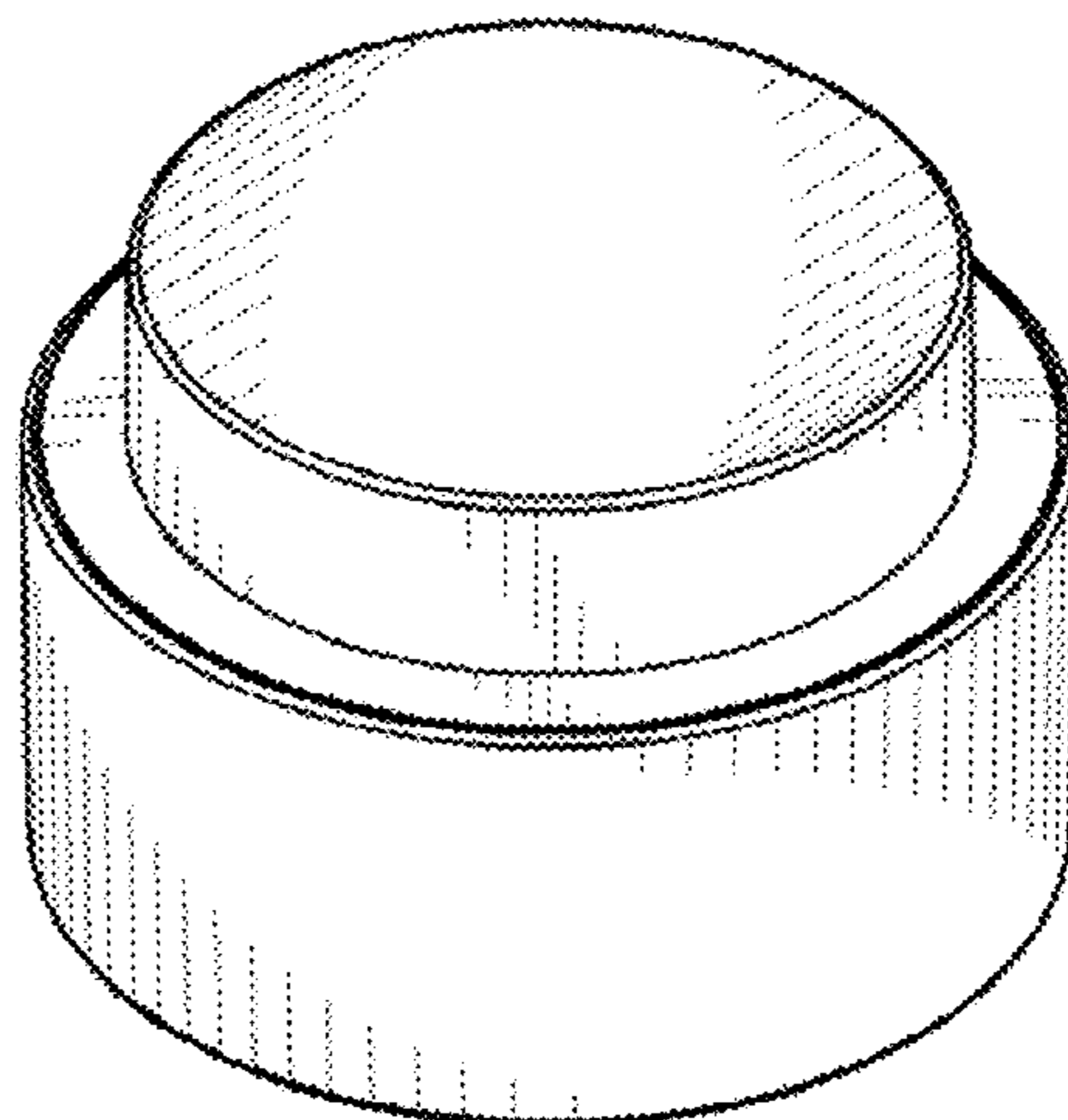
- (56) **References Cited**
U.S. PATENT DOCUMENTS
2,076,551 A * 4/1937 Conner A45D 40/0068 215/12.1
2,077,215 A * 4/1937 Conner A45D 40/0068 215/12.1

(57) **CLAIM**
The ornamental design for a cosmetic container, as shown and described.

DESCRIPTION

FIG. 1 is a perspective view of a cosmetic container showing the new design;
FIG. 2 is a front elevation view thereof, with rear, left, and right side elevation views being the same as the front elevational view;
FIG. 3 is a top plan view thereof; and,
FIG. 4 is a bottom plan view thereof.

1 Claim, 4 Drawing Sheets



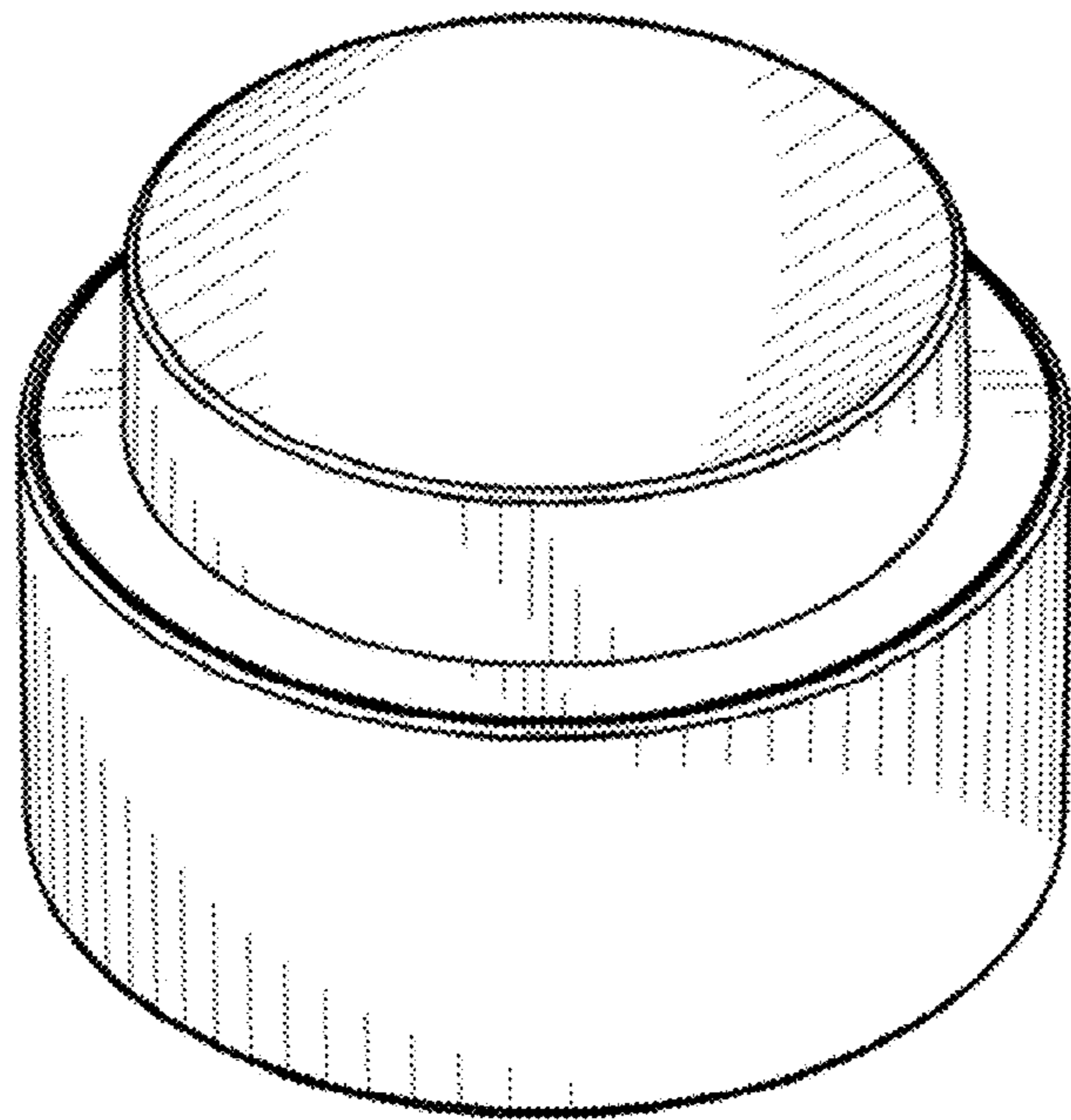


FIG. 1

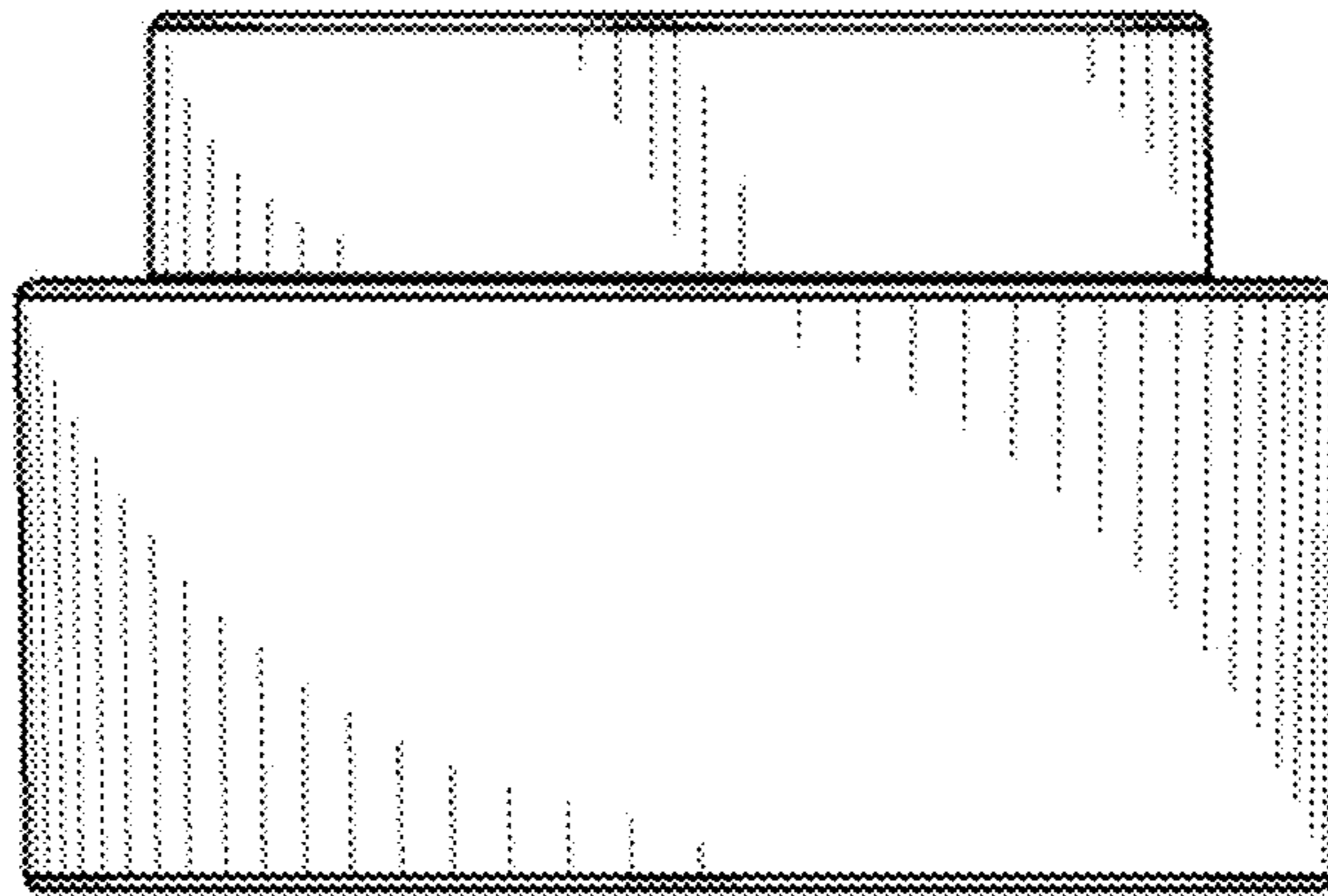


FIG. 2

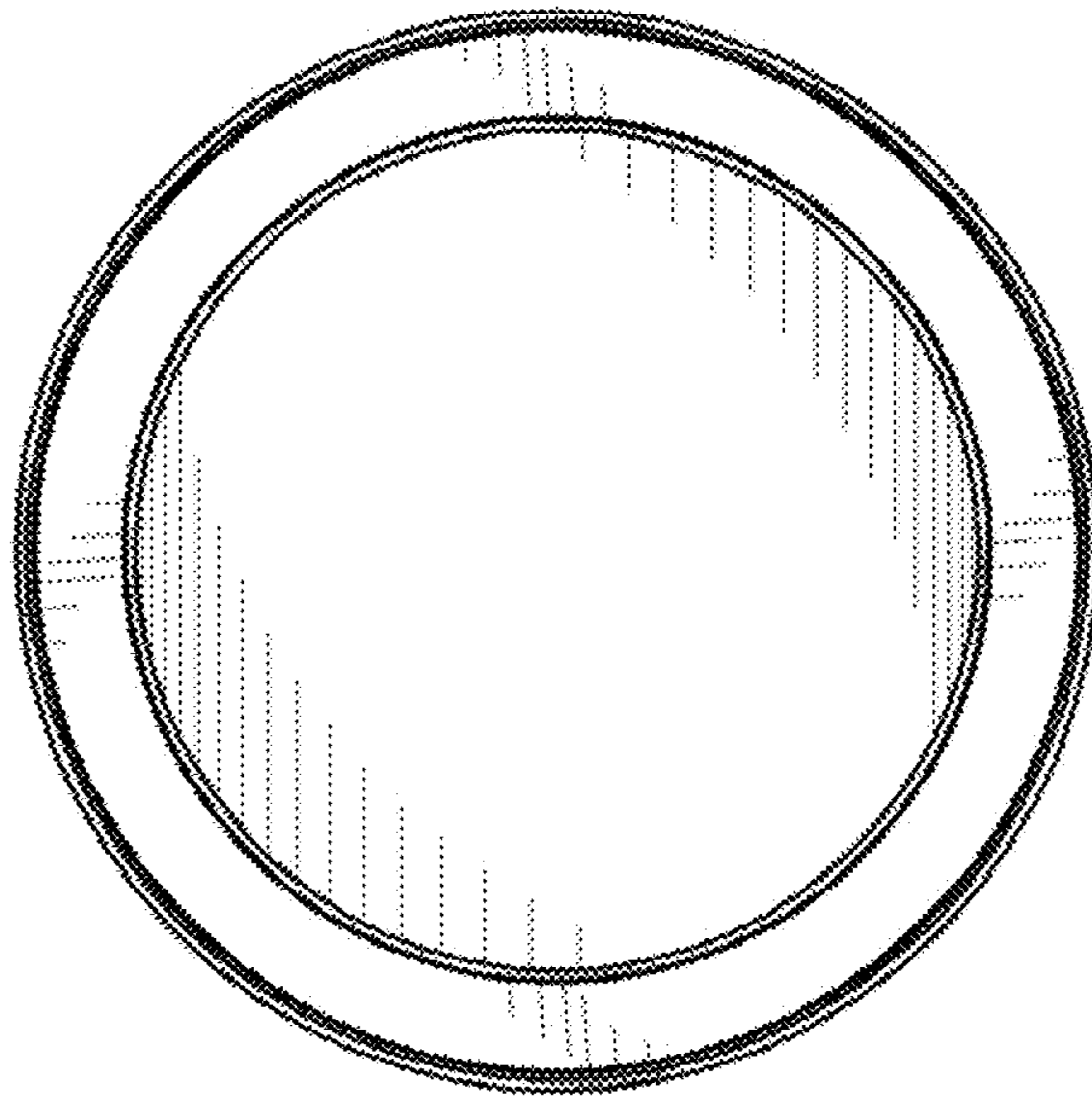


FIG. 3

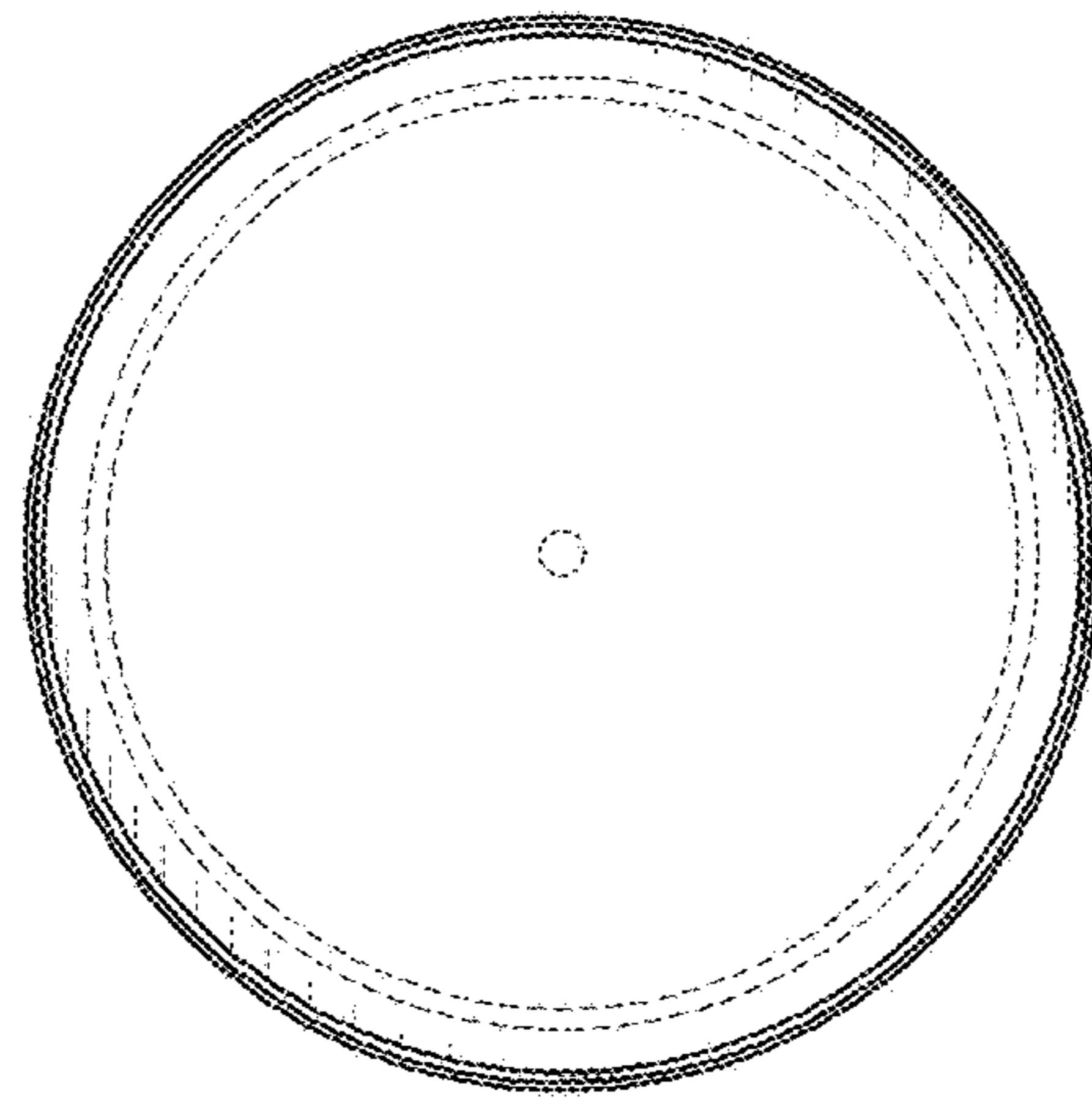


FIG. 4