



US00D784135S

(12) **United States Design Patent**  
**Pellingra et al.**

(10) **Patent No.:** **US D784,135 S**  
(45) **Date of Patent:** **\*\* Apr. 18, 2017**

(54) **FLIP TOP CAP**

(71) Applicant: **ProAmpac**, Cincinnati, OH (US)

(72) Inventors: **Salvatore J. Pellingra**, Newport, KY (US); **Benjamin M. Davis**, West Chester, OH (US)

(73) Assignee: **ProAmpac Intermediate LLC**, Cincinnati, OH (US)

(\*\*) Term: **15 Years**

(21) Appl. No.: **29/554,441**

(22) Filed: **Feb. 11, 2016**

**Related U.S. Application Data**

(62) Division of application No. 29/481,299, filed on Feb. 4, 2014, now Pat. No. Des. 749,950.

(51) **LOC (10) Cl.** ..... **09-07**

(52) **U.S. Cl.**  
USPC ..... **D9/449**

(58) **Field of Classification Search**  
USPC ..... D7/392, 398; D9/434, 435, 439, 440, D9/446-450, 453, 454, 499, 515, 737, D9/739; 222/153.02, 153.14, 553, 556, 222/566, 575; 215/235, 236, 237  
CPC ..... B65D 47/10; B65D 47/065; B65D 47/08  
See application file for complete search history.

(56) **References Cited**

**U.S. PATENT DOCUMENTS**

D254,899 S 5/1980 Tada  
4,254,889 A 3/1981 Jacobs

5,273,172 A	12/1993	Rossbach et al.	
D370,630 S	6/1996	Robbins, III	
D371,297 S	7/1996	Robbins, III	
D398,813 S	9/1998	Franzese	
D457,384 S	5/2002	Randolph	
D462,806 S	9/2002	Draghetti	
D529,380 S	10/2006	Yelland	
7,156,228 B2	1/2007	Brizzi et al.	
D677,158 S	3/2013	Delaney et al.	
D721,276 S *	1/2015	Herbst	D7/396.2
D738,737 S *	9/2015	McCay	D9/449
D747,651 S *	1/2016	Hawry	D9/449
D749,950 S *	2/2016	Pellingra	D9/449
2012/0000944 A1	1/2012	Romanov et al.	

\* cited by examiner

*Primary Examiner* — Robert M Spear

(74) *Attorney, Agent, or Firm* — Perman & Green, LLP

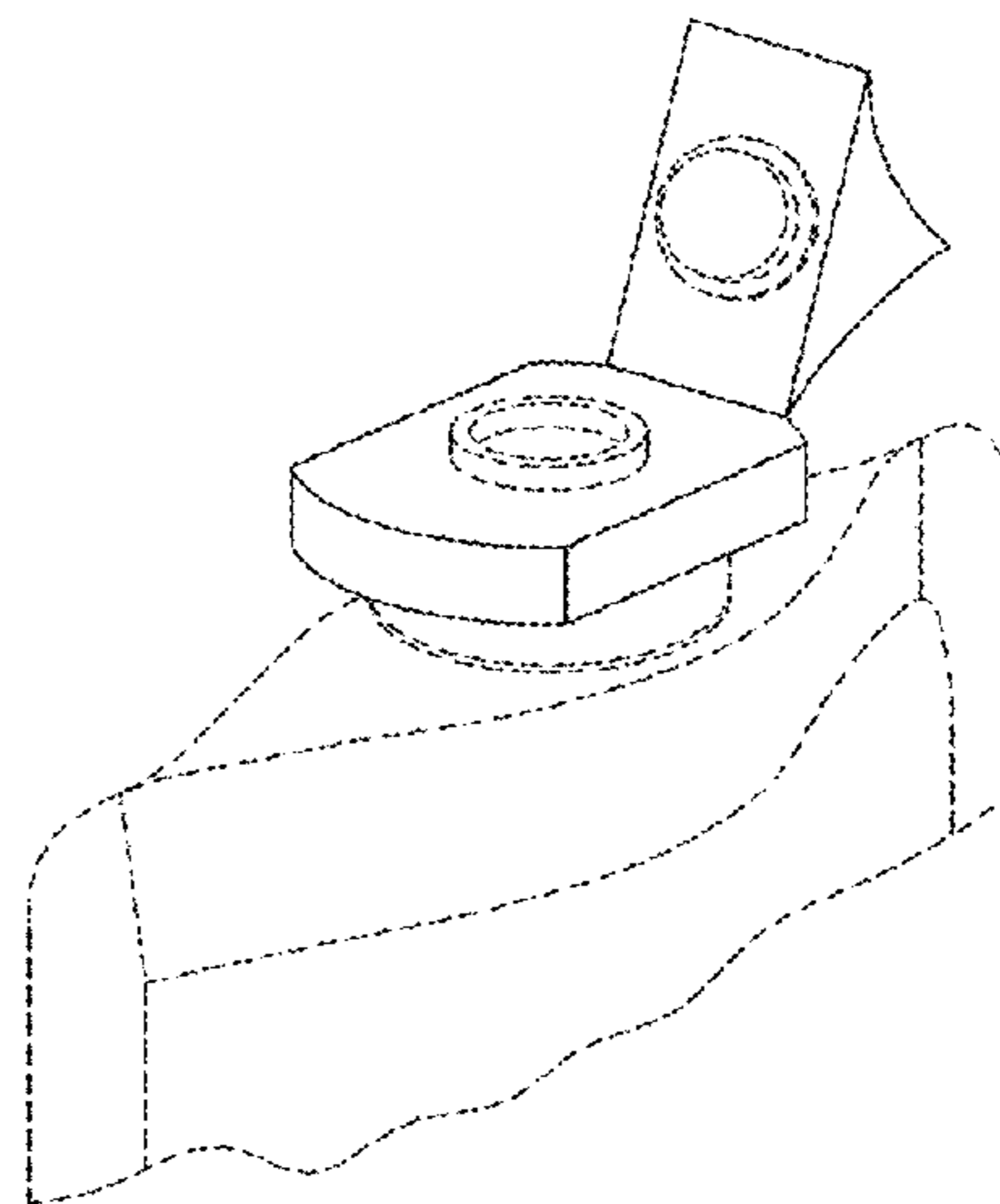
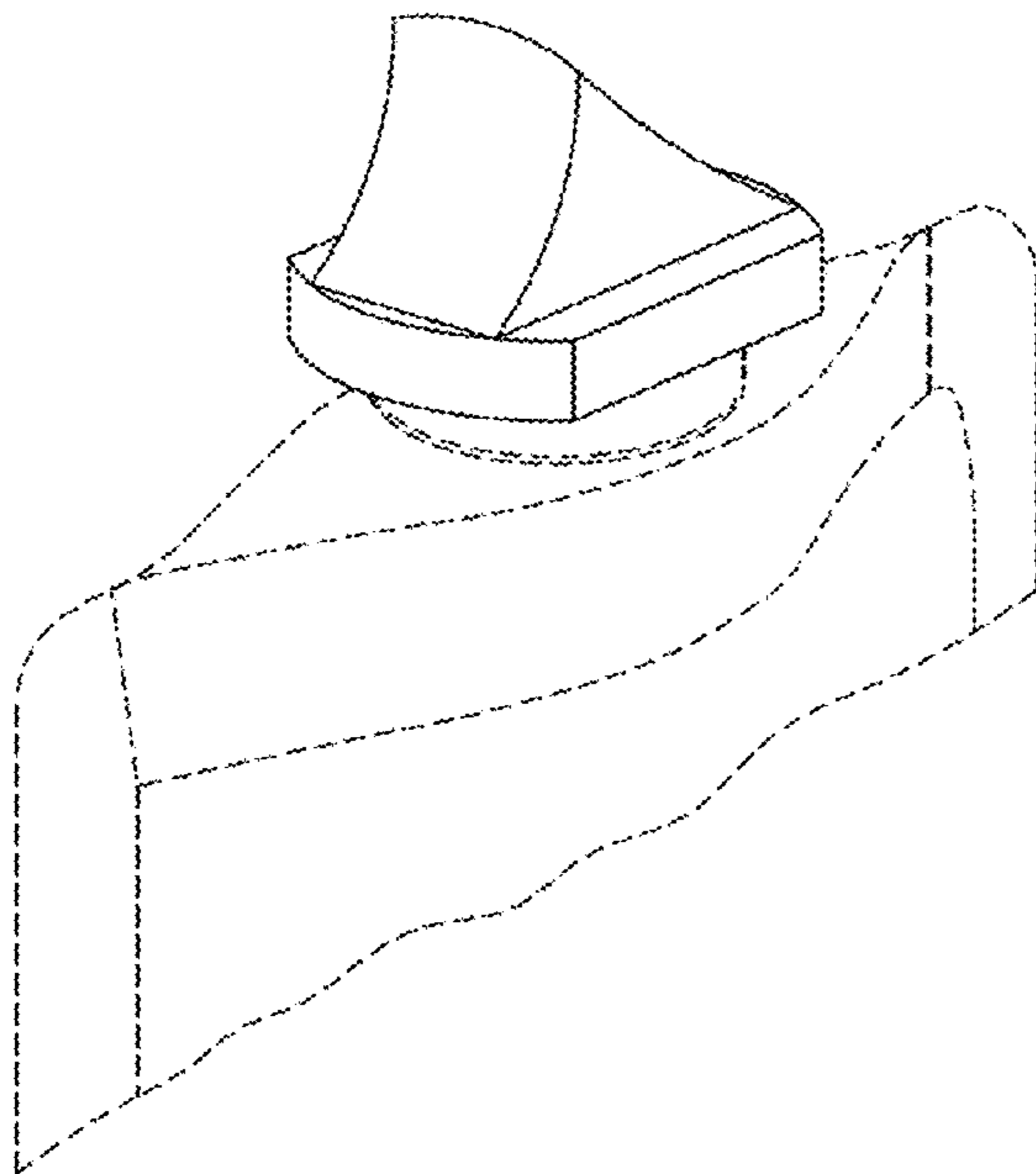
(57) **CLAIM**

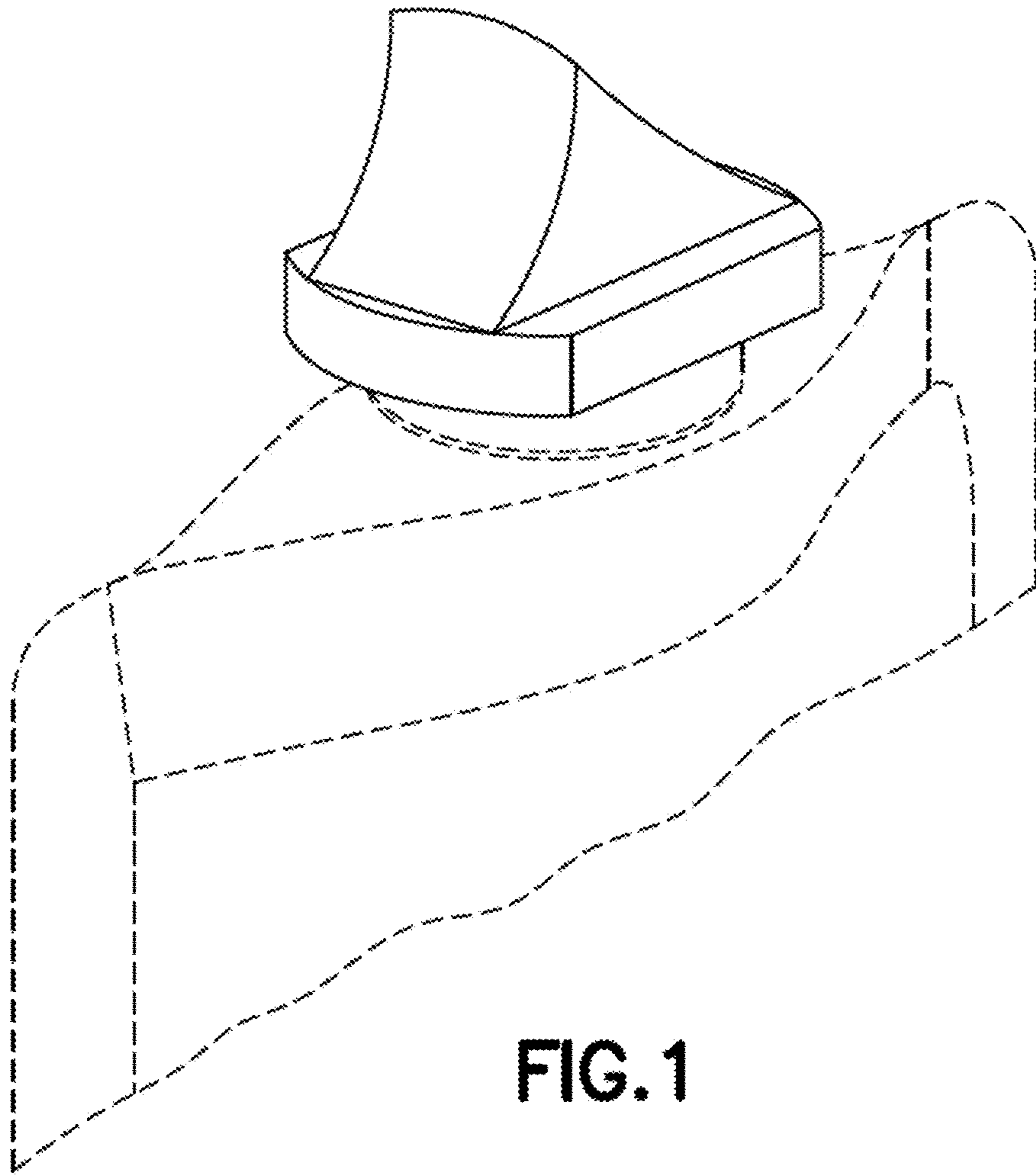
The ornamental design for a flip top cap, as shown and described.

**DESCRIPTION**

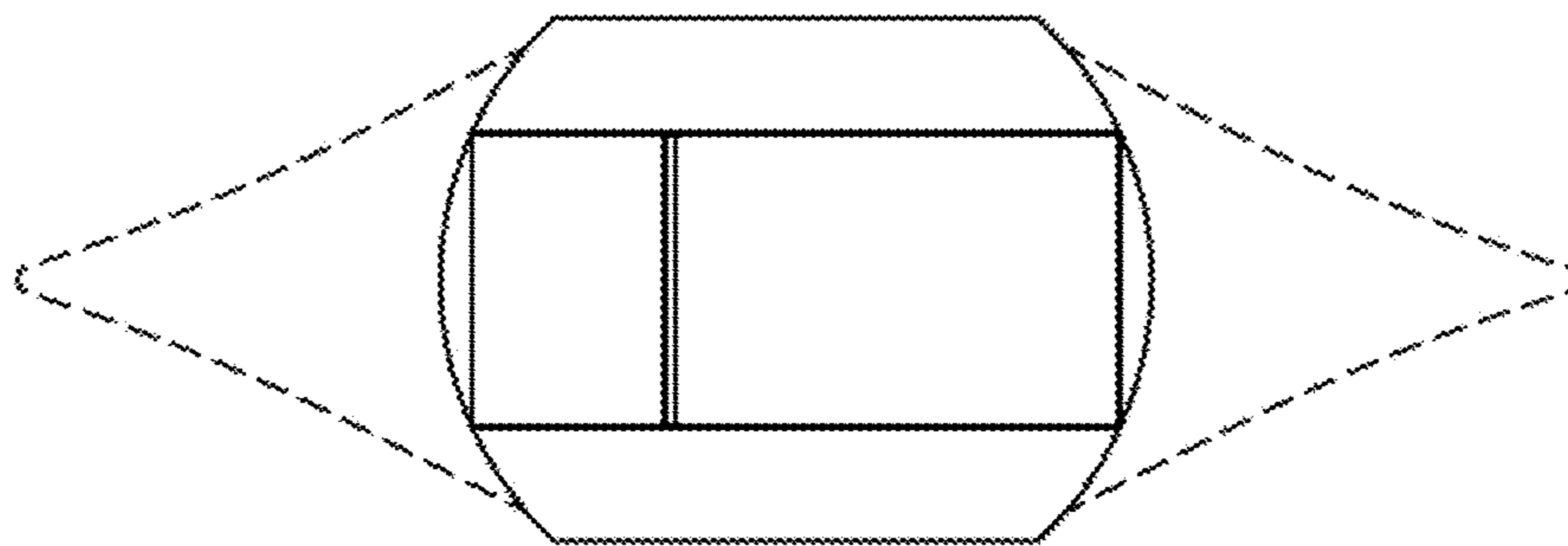
FIG. 1 is a front perspective view of a flip top cap affixed to a pouch in accordance with the present invention; FIG. 2 is a top elevation view of the flip top cap of FIG. 1; FIG. 3 is a front elevation view of the flip top cap of FIG. 1; FIG. 4 is a right side elevation view of the flip top cap of FIG. 1; and, FIG. 5 is a front perspective view of a flip top cap of FIG. 1 with the flip top cap in the open position. The portions of FIG. 1 to FIG. 5 that are shown in broken lines are unclaimed environmental subject matter only and form no part of the claimed design.

**1 Claim, 3 Drawing Sheets**





**FIG. 1**



**FIG. 2**

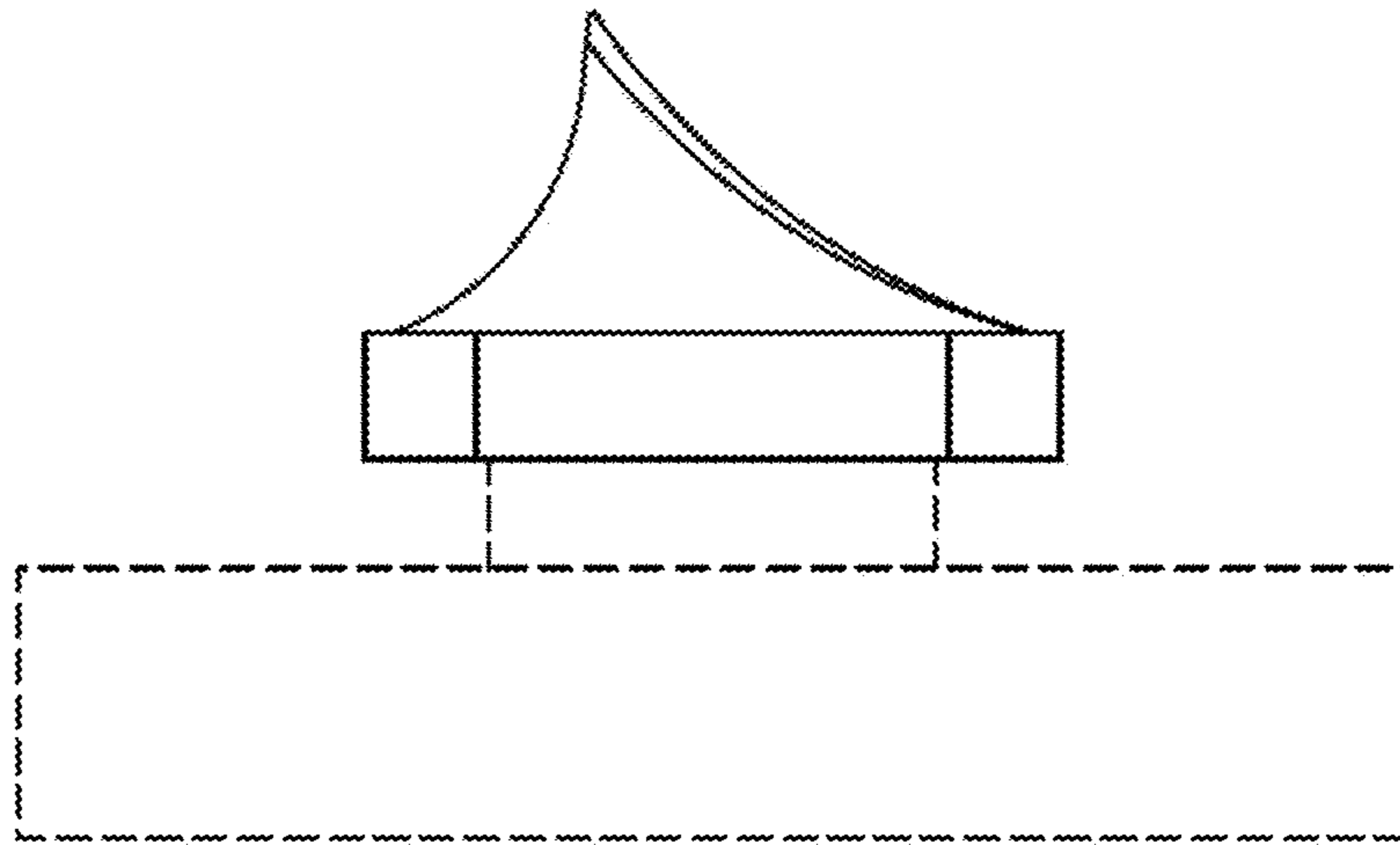


FIG. 3

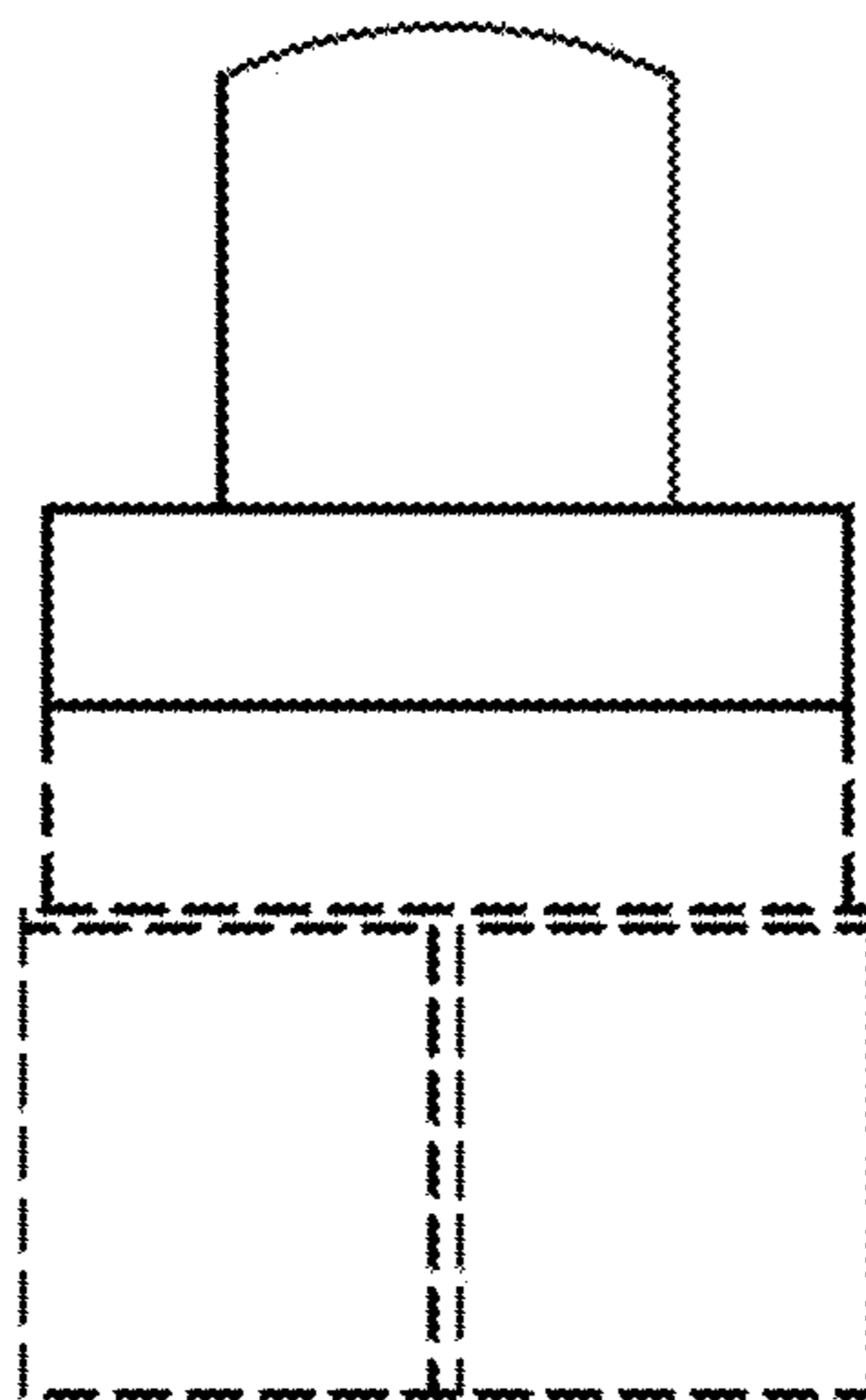


FIG. 4

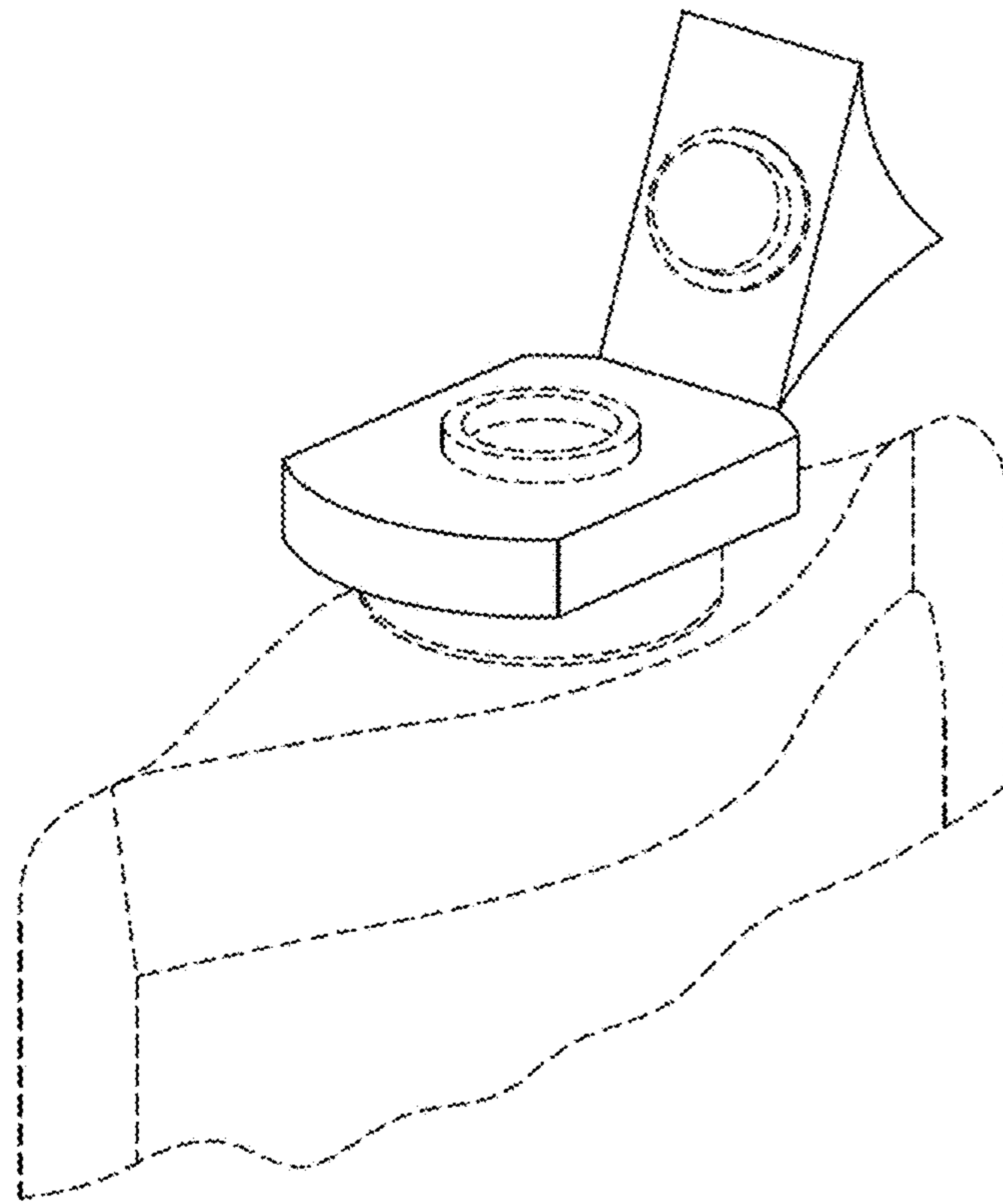


FIG.5