



US00D784134S

(12) **United States Design Patent**
Bristow

(10) **Patent No.:** **US D784,134 S**

(45) **Date of Patent:** **** *Apr. 18, 2017**

(54) **CAP**

(71) Applicant: **James Timothy Bristow**, Chai Wan (HK)

(72) Inventor: **James Timothy Bristow**, Chai Wan (HK)

(73) Assignee: **ROTAM AGROCHEM INTERNATIONAL COMPANY LIMITED**, Hong Kong (HK)

(*) Notice: This patent is subject to a terminal disclaimer.

(**) Term: **15 Years**

(21) Appl. No.: **29/528,440**

(22) Filed: **May 28, 2015**

(30) **Foreign Application Priority Data**

Nov. 28, 2014 (EM) 002588046-0002
Nov. 28, 2014 (EM) 002588046-0003

(51) **LOC (10) Cl.** **09-07**

(52) **U.S. Cl.**
USPC **D9/449; D9/453**

(58) **Field of Classification Search**
USPC D3/20, 203.1, 203.2; D9/434-436, D9/438-440, 442-445, 447-450, D9/452-457, 499, 733, 746; 215/216, 215/219; 220/254.3; 222/207
CPC B65D 50/041
See application file for complete search history.

(56) **References Cited**

U.S. PATENT DOCUMENTS

D336,430 S *	6/1993	Maguire	D9/447
D418,755 S *	1/2000	Durliat	D9/448
D458,845 S *	6/2002	Keung	D9/447
D460,357 S *	7/2002	Kras	D9/435
D607,326 S *	1/2010	Branson	D9/453
D623,517 S *	9/2010	Pehinot	D9/449
D631,351 S *	1/2011	Coon	D9/453
D673,042 S *	12/2012	Antier	D9/443
D684,057 S *	6/2013	Kwon	D9/453
D684,058 S *	6/2013	Kwon	D9/453
D707,555 S *	6/2014	Vogel	D9/436

* cited by examiner

Primary Examiner — Robert M Spear

Assistant Examiner — Darcey E Heflin

(74) *Attorney, Agent, or Firm* — St Onge Steward Johnston and Reens LLC

(57) **CLAIM**

The ornamental design for a cap, as shown and described.

DESCRIPTION

FIG. 1 is a front elevational view of a cap in accordance with the new design;

FIG. 2 is a rear elevational view thereof;

FIG. 3 is a top and right side isometric view thereof;

FIG. 4 is a top and rear isometric view thereof;

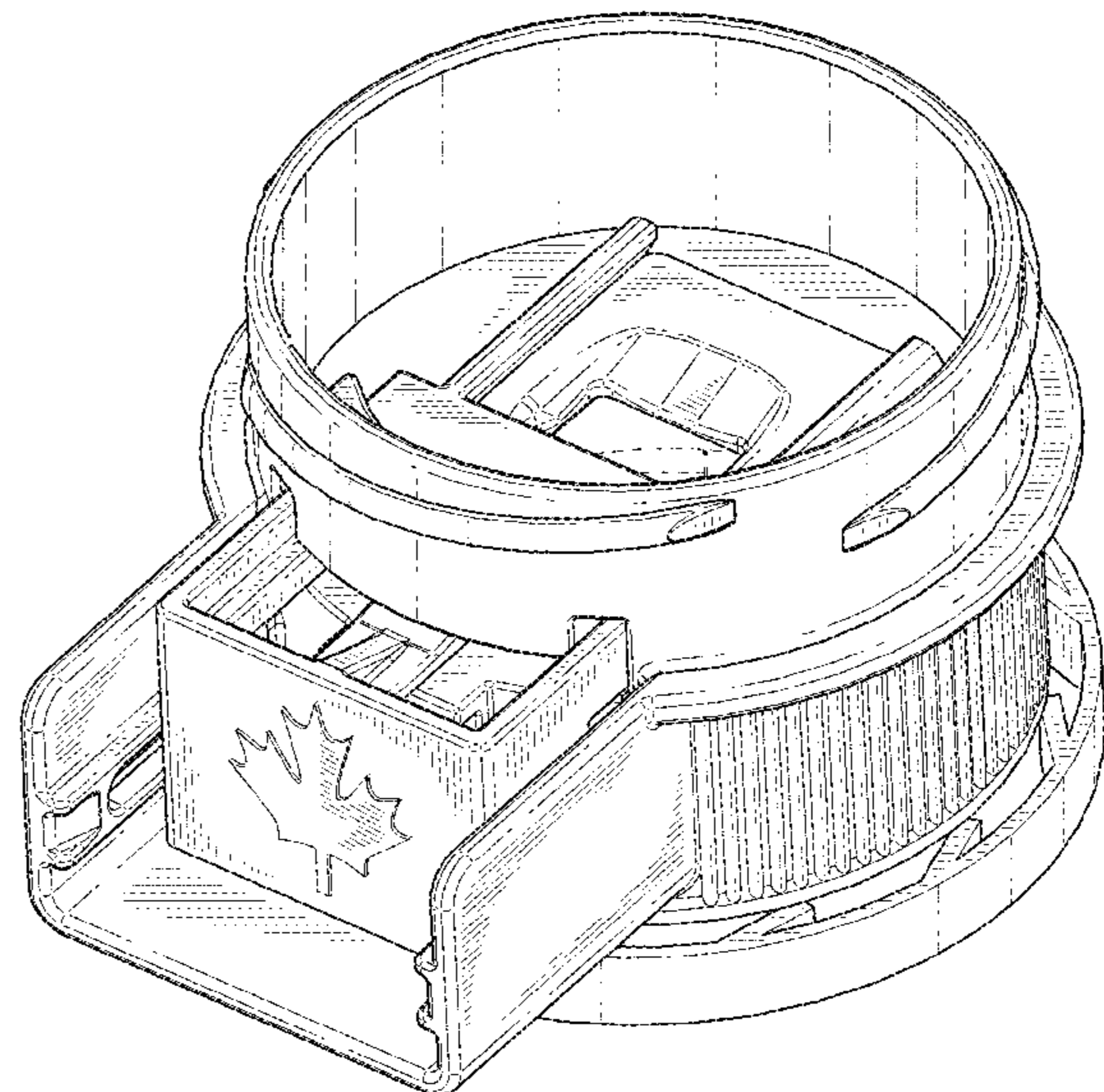
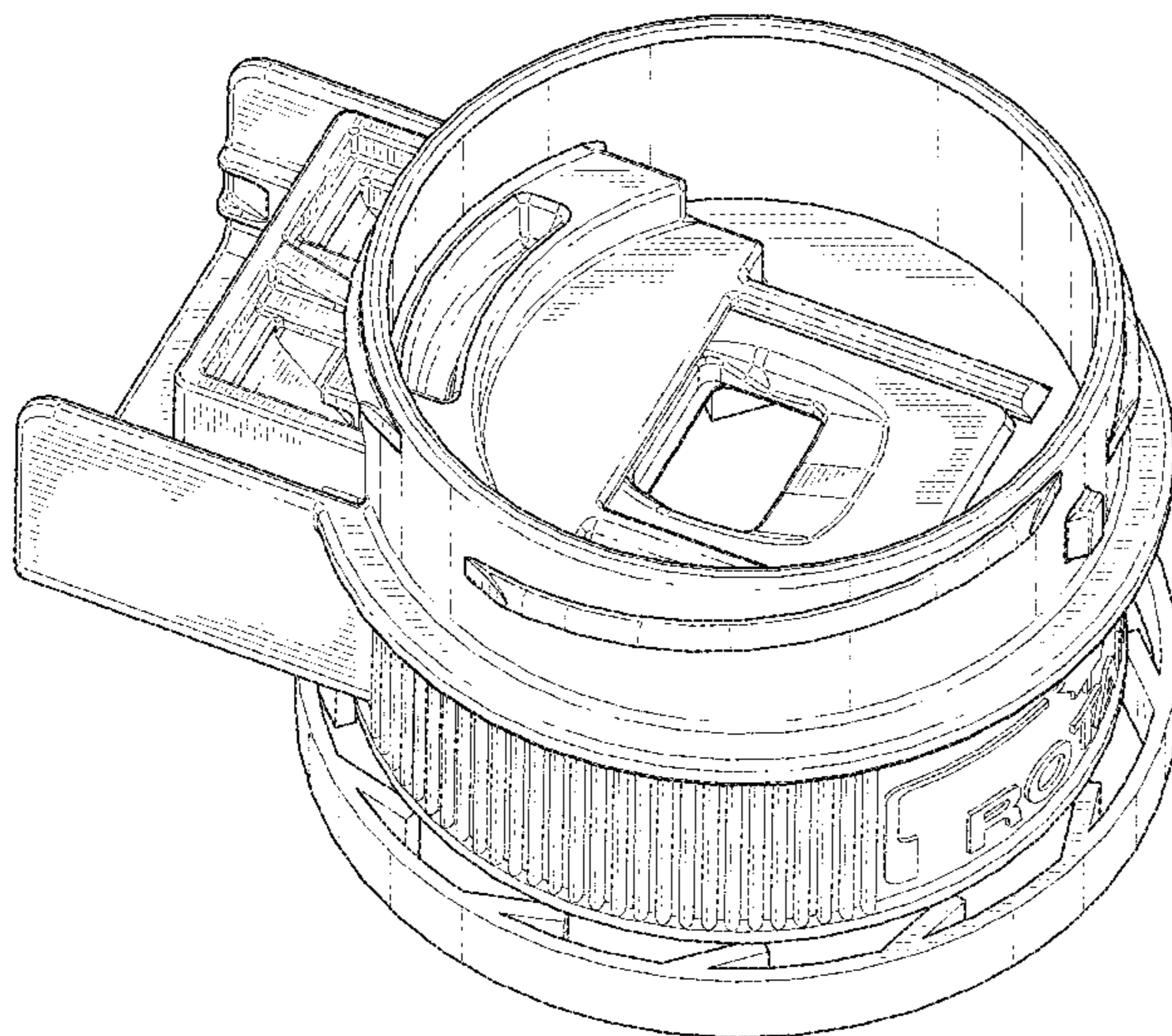
FIG. 5 is a top, rear, and left side isometric view of the cap in an alternative configuration of use;

FIG. 6 is a left side elevational view thereof; and,

FIG. 7 is a bottom plan view thereof.

In FIG. 7, the evenly-spaced broken lines depict portions of the cap that form no part of the claim.

1 Claim, 7 Drawing Sheets



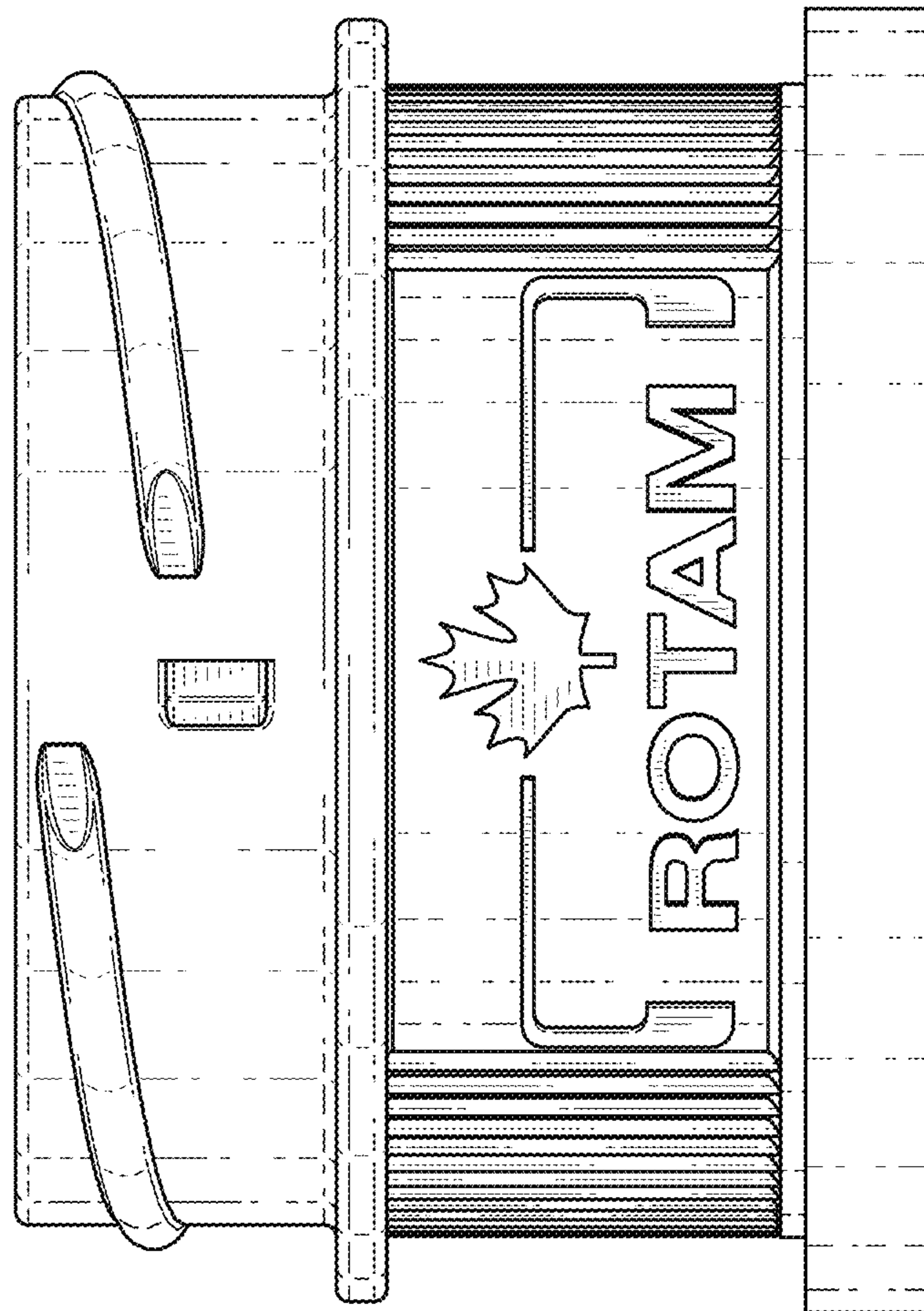
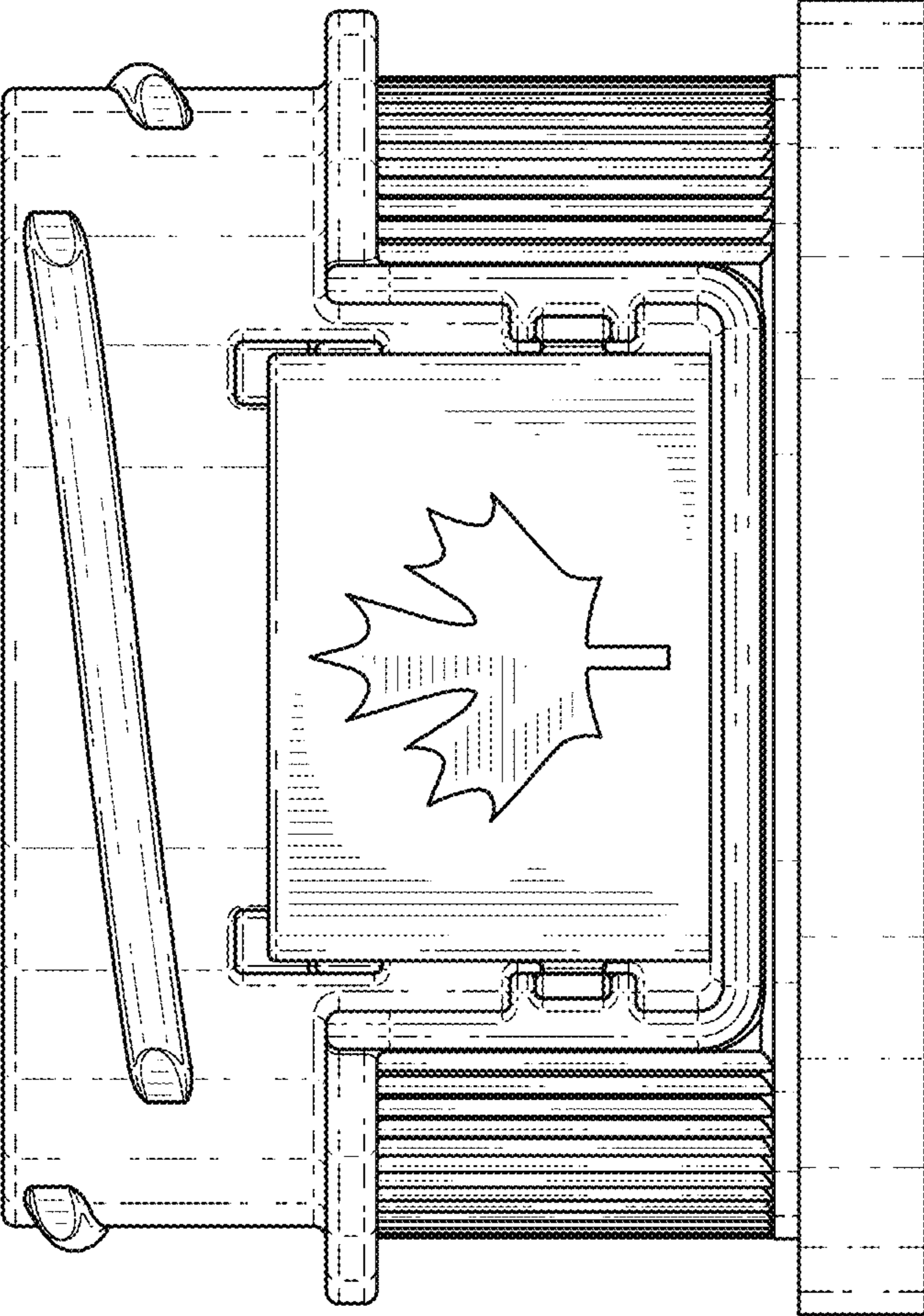


FIG. 1

FIG. 2



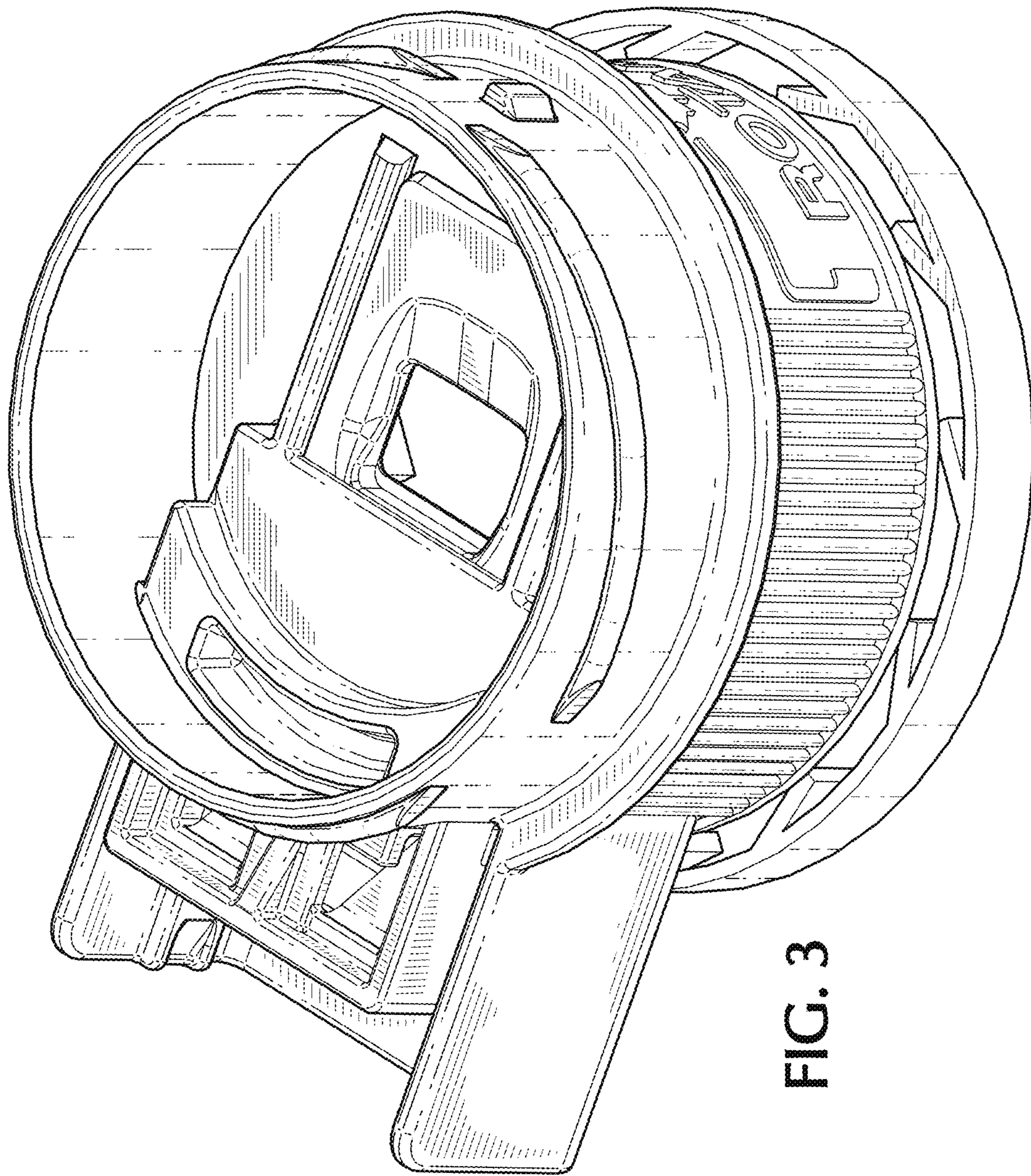


FIG. 3

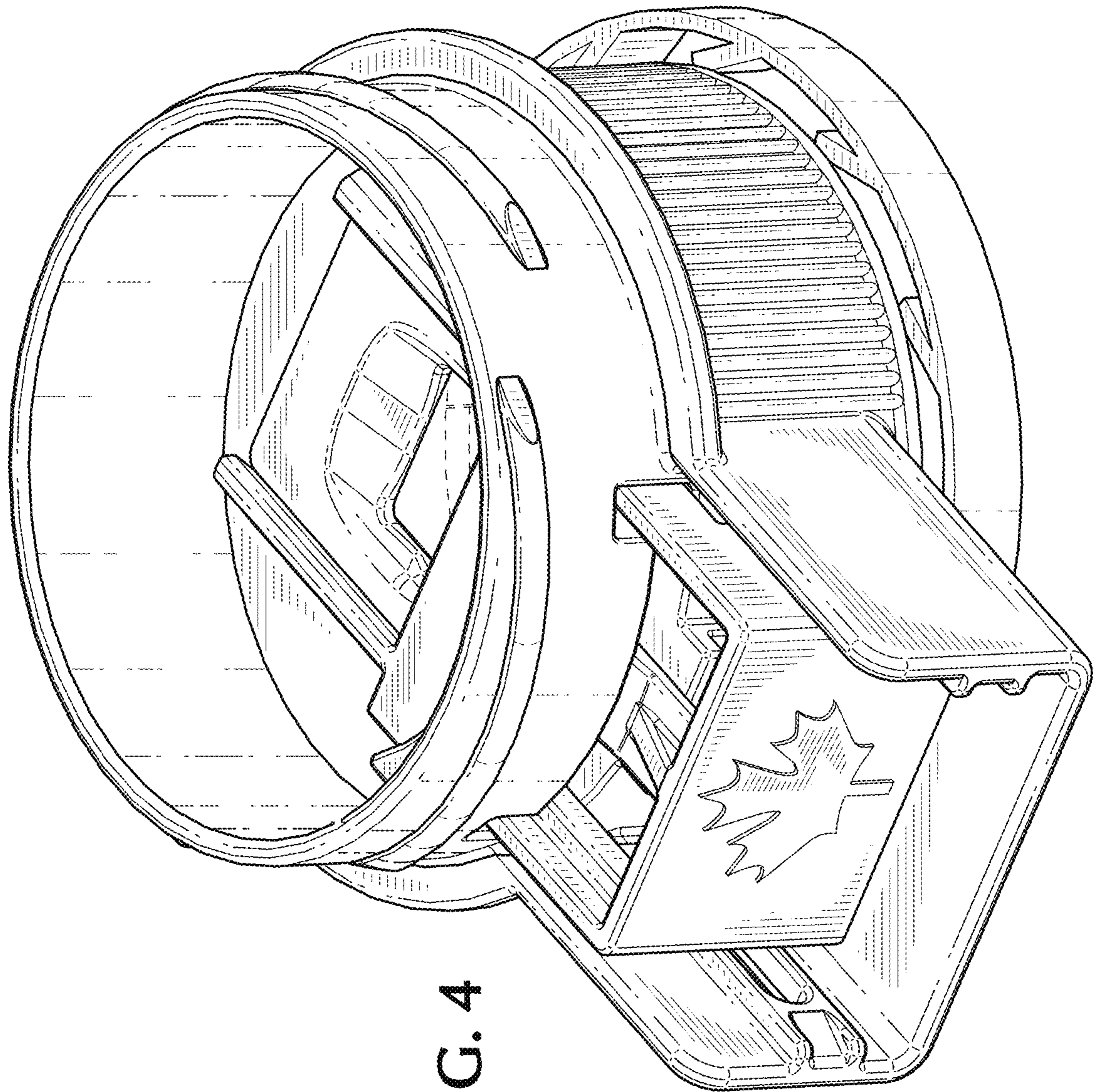
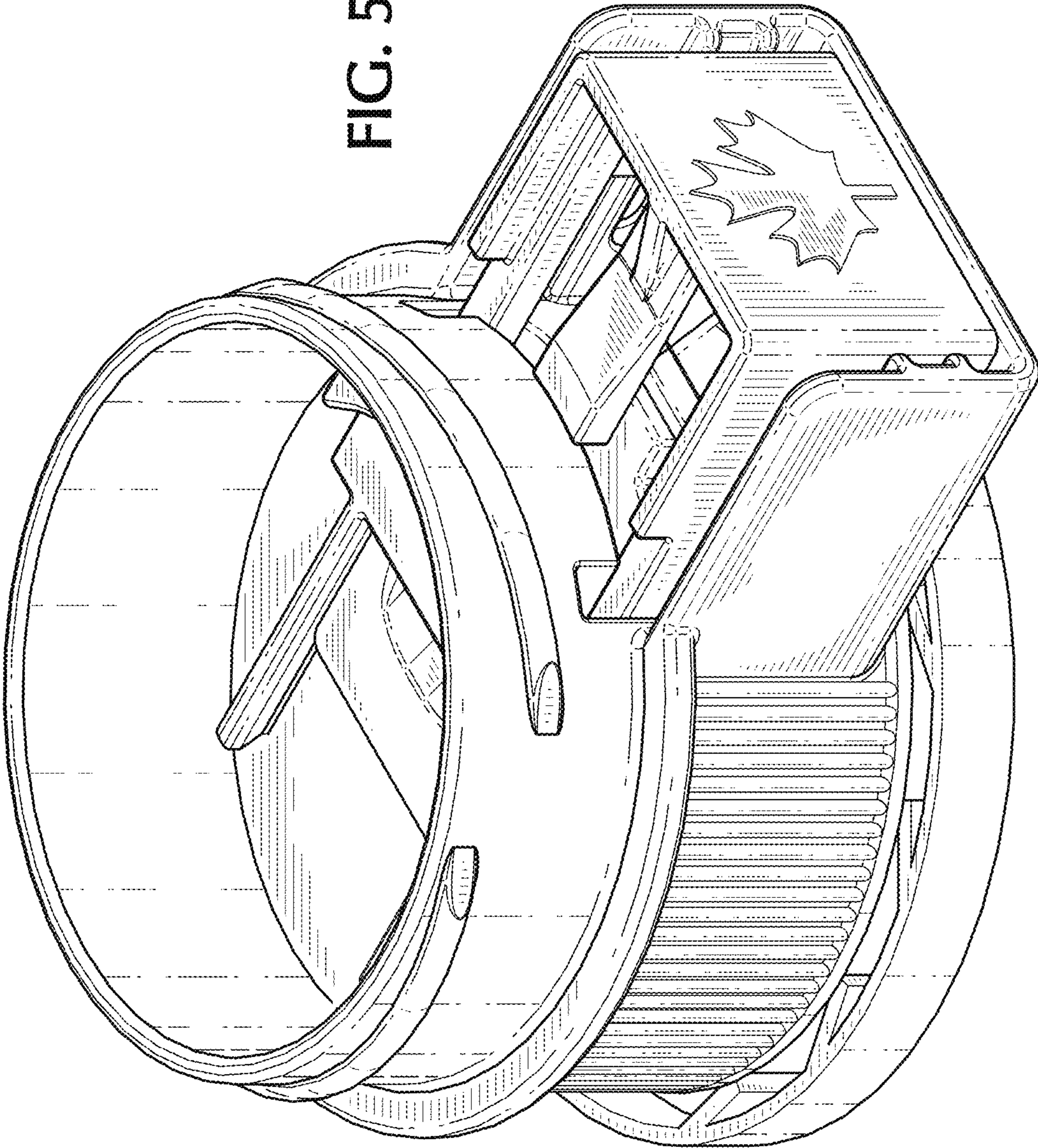
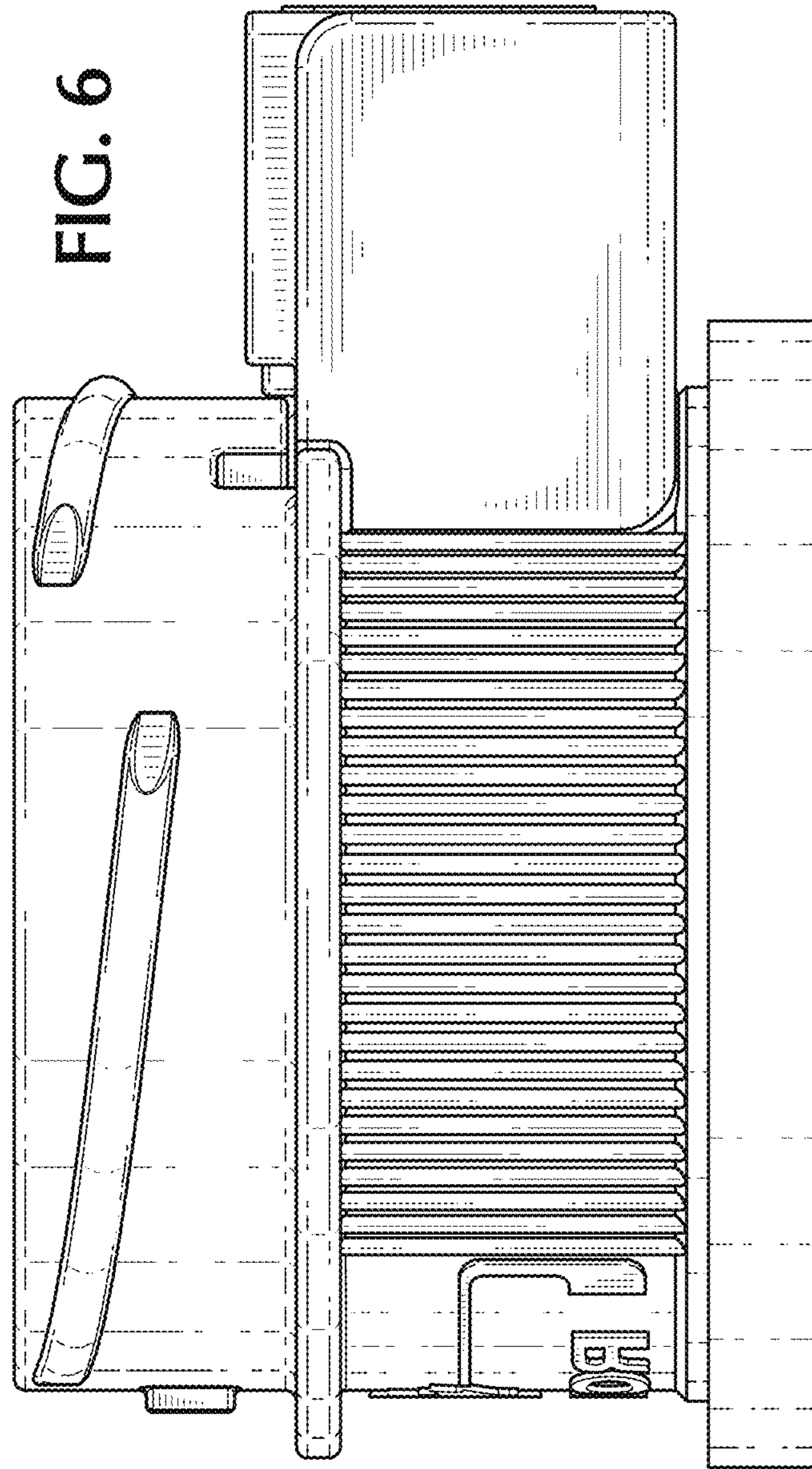


FIG. 4

FIG. 5





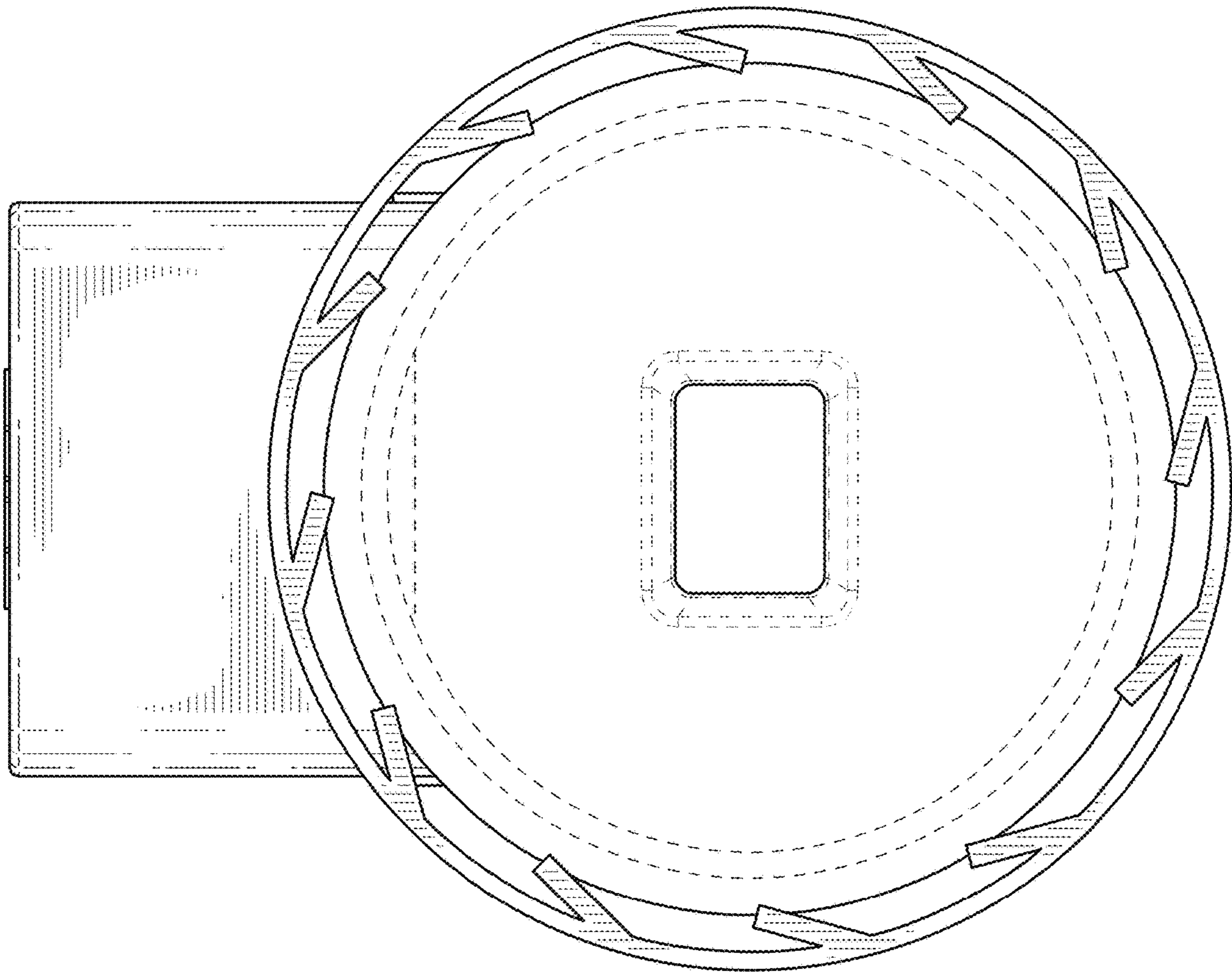


FIG. 7