



US00D784132S

(12) **United States Design Patent**
Johnson

(10) **Patent No.:** **US D784,132 S**
(45) **Date of Patent:** **** Apr. 18, 2017**

(54) **INTERLOCKABLE BOTTLE CAP**

2501/00; B65D 2501/0009; B65D 83/06;
A47G 18/22; A47G 18/23

See application file for complete search history.

(71) Applicant: **William Nevil Heaton Johnson,**
Guernsey (CH)

(72) Inventor: **William Nevil Heaton Johnson,**
Guernsey (CH)

(**) Term: **15 Years**

(21) Appl. No.: **29/535,043**

(22) Filed: **Aug. 3, 2015**

(51) **LOC (10) Cl.** **09-07**

(52) **U.S. Cl.**
USPC **D9/443**; D9/434; D9/435; D9/452;
D9/453

(58) **Field of Classification Search**

USPC D3/202, 203.1, 203.2, 318, 273, 275,
D3/294; D7/300, 300.1, 216, 317, 387,
D7/391, 392.1, 393, 396.2, 509, 510, 511,
D7/523, 525-531, 538, 541, 549, 629,
D7/703, 900; D9/434, 435, 436, 438,
D9/439, 440, 443, 446, 447, 448, 449,
D9/450, 452, 453, 454, 502, 503, 504,
D9/516, 517, 529; D8/349, 350, 352;
D10/123, 126; D19/70, 71, 115, 162,
D19/163, 165, 192, 194; D24/121, 127,
D24/199, 224; D28/7, 76, 78, 82, 85, 91;
D26/36, 123, 124; D34/1, 7, 10, 11, 39;
206/216, 219, 541, 222, 221, 220;
215/306, 305, 228, 200; 220/212.5, 200;
222/81, 83, 556, 533, 530, 519, 205, 192,
222/158, 153.01

CPC B65D 50/041; B65D 23/00; B65D 1/00;
B65D 1/02; B65D 1/0223; B65D

(56) **References Cited**

U.S. PATENT DOCUMENTS

3,713,247 A 1/1973 Parrilla
D291,868 S * 9/1987 Hindle D9/453
D399,743 S * 10/1998 Coon D9/443
D458,138 S * 6/2002 Fuchs D9/453

(Continued)

Primary Examiner — Thomas Johannes

Assistant Examiner — Catherine Posthauer

(74) *Attorney, Agent, or Firm* — The Webb Law Firm

(57) **CLAIM**

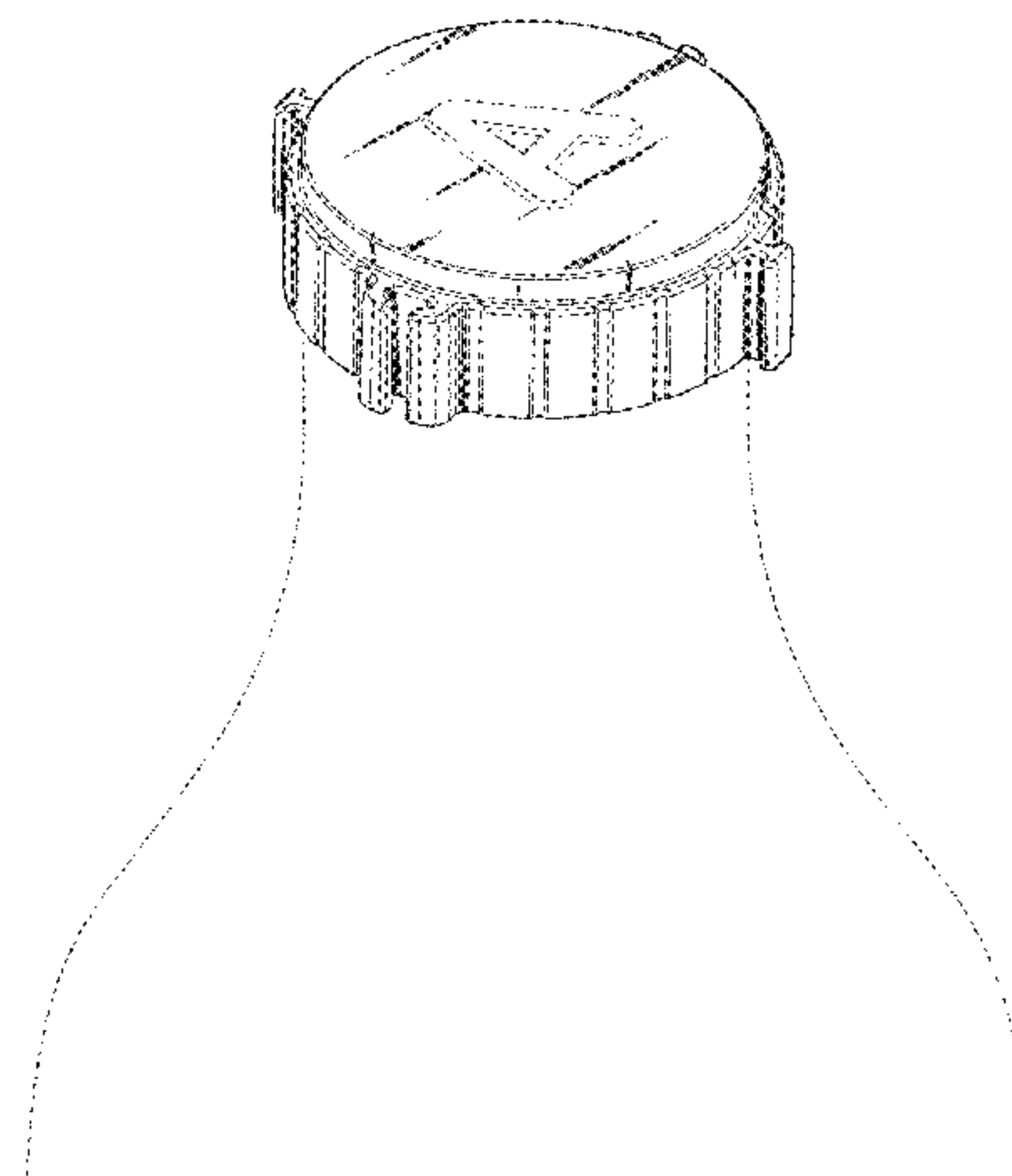
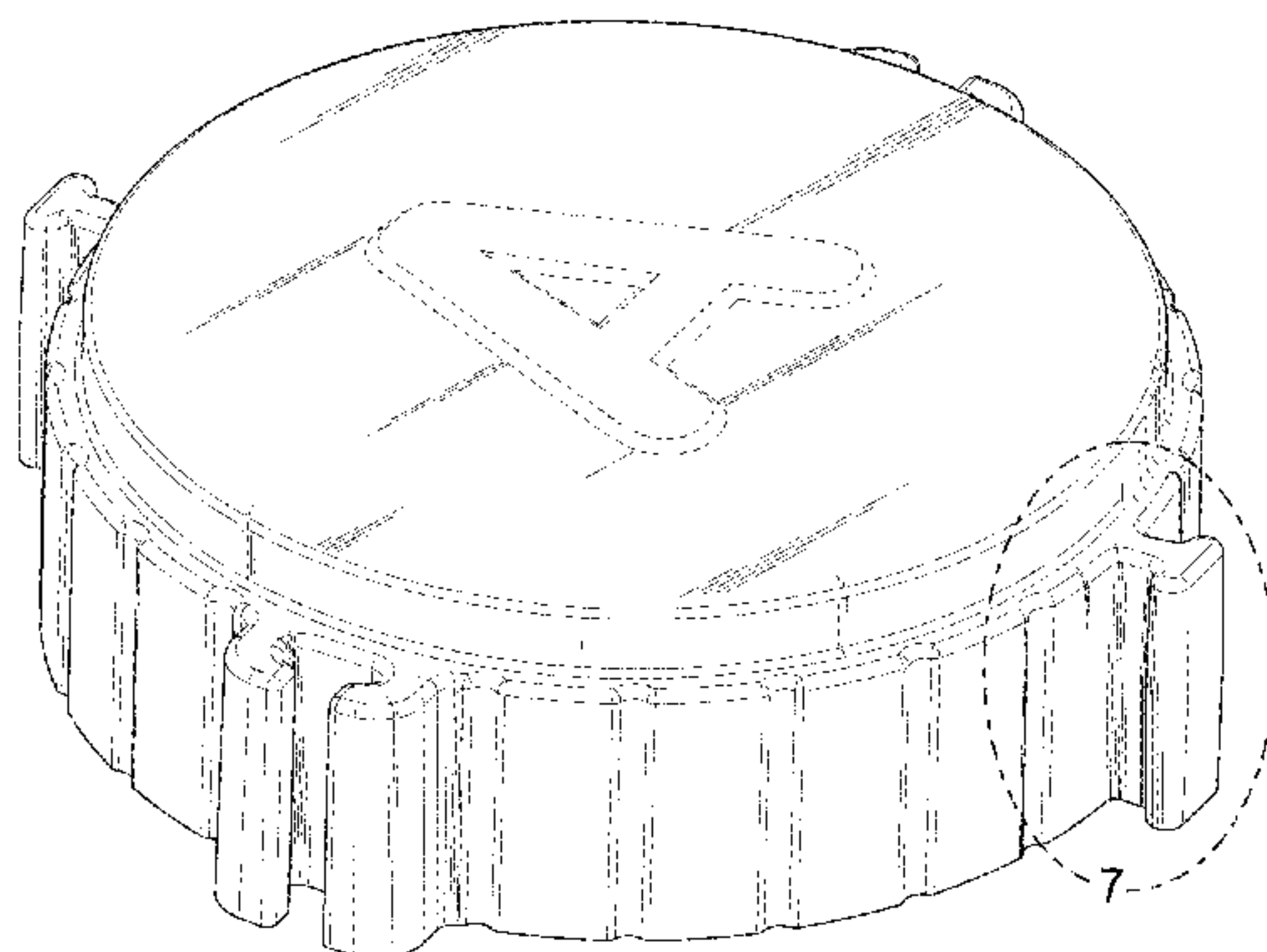
The ornamental design for an interlockable bottle cap, as shown and described.

DESCRIPTION

FIG. 1 is a top view of an interlockable bottle cap, showing my design;
FIG. 2 is a front view thereof, the rear view being a mirror image thereof;
FIG. 3 is a right side view thereof, the left side being a mirror image thereof;
FIG. 4 is a bottom view thereof;
FIG. 5 is a top perspective view thereof;
FIG. 6 is a bottom perspective view thereof;
FIG. 7 is a close-up perspective view of a male connector portion of FIG. 5 thereof;
FIG. 8 is a close-up perspective view of a female connector portion of FIG. 6 thereof;
FIG. 9 is a top perspective view thereof, shown in a condition of use with a bottle, forming no part of the claim;
FIG. 10 is a top perspective view thereof, shown in a condition of use with other interlockable bottle caps forming no part of the claim; and,
FIG. 11 is a top view thereof.

The evenly broken lines are shown for the purpose of illustrating environmental structure and parts of the article

(Continued)



that form no part of the claim. The dot-dash broken lines represent the designations of enlargement views and form no part of the claim.

1 Claim, 11 Drawing Sheets

(56) **References Cited**

U.S. PATENT DOCUMENTS

D465,731	S	*	11/2002	Brant	D9/453
D472,145	S	*	3/2003	Nottingham	D9/443
D481,314	S	*	10/2003	Noonan	D9/438
D526,840	S	*	8/2006	Carlson	D7/392.1
D527,261	S	*	8/2006	Hornke	D9/454
D527,262	S	*	8/2006	Cooney	D9/454
D600,120	S	*	9/2009	Kawamura	D9/452
D606,633	S	*	12/2009	Price	D23/260
D607,326	S	*	1/2010	Branson	D9/453
D621,705	S	*	8/2010	Breckan	D9/443
D621,706	S	*	8/2010	Breckan	D9/443
D621,707	S	*	8/2010	Breckan	D9/443
D632,944	S	*	2/2011	Kang	D8/312
D642,919	S	*	8/2011	Taylor	D9/453
D642,920	S	*	8/2011	Taylor	D9/453
D643,288	S	*	8/2011	Taylor	D9/453
D668,544	S	*	10/2012	Stephan	D24/196
D677,161	S	*	3/2013	Titherington	D9/443
8,695,820	B2		4/2014	Rabie		
D718,903	S	*	12/2014	Parker	D28/82
D758,852	S	*	6/2016	Schuette	D9/436
2003/0132244	A1	*	7/2003	Birkmayer	B65D 41/3442 222/83
2015/0336716	A1	*	11/2015	Gehringer	B29C 45/1676 215/316

* cited by examiner

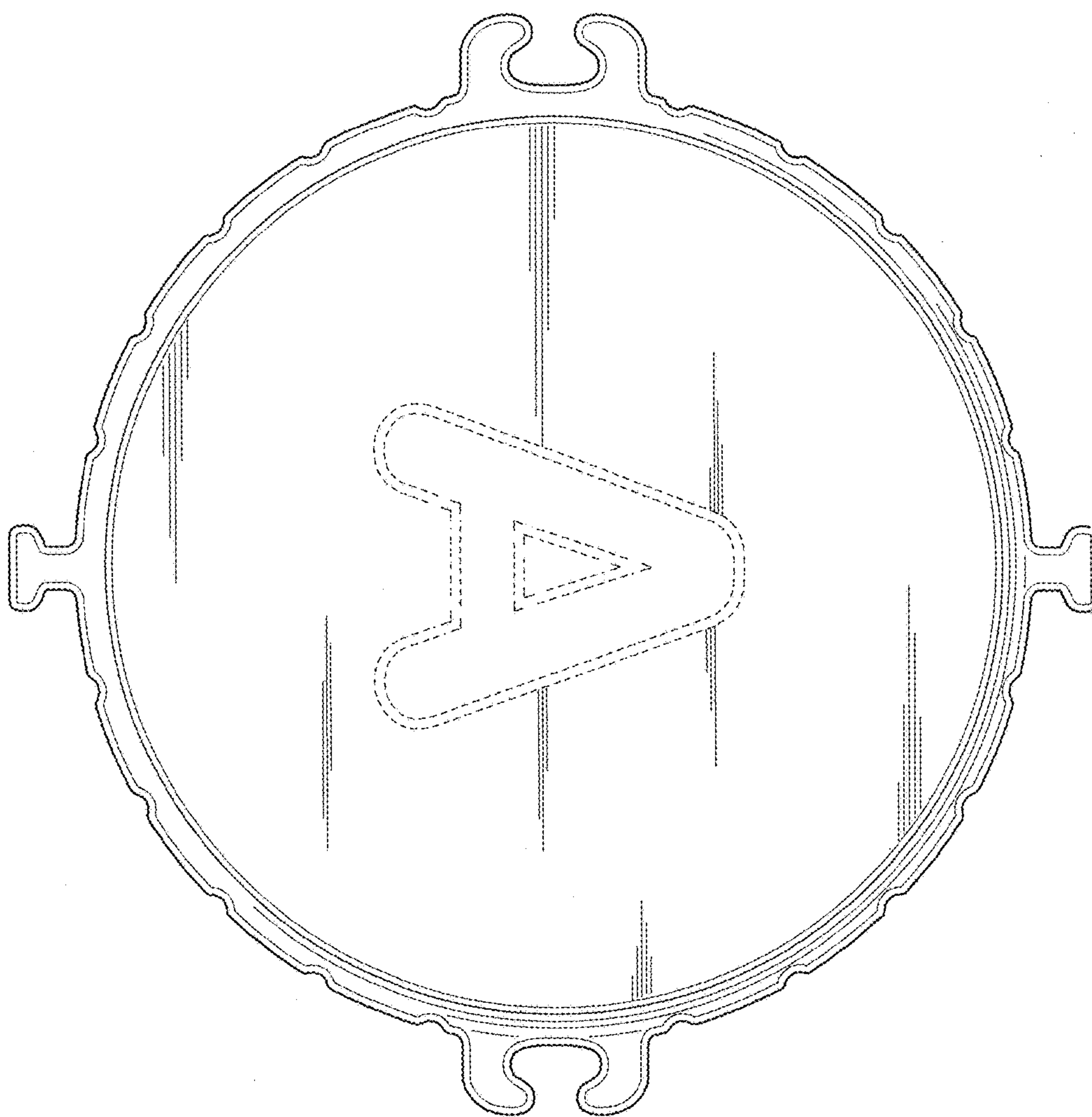


FIG. 1

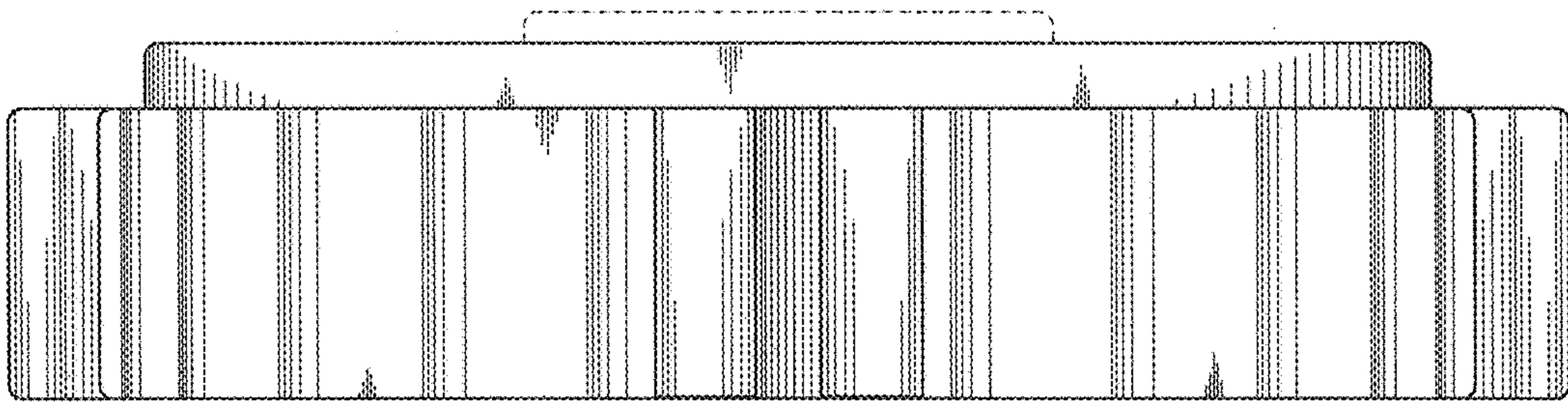


FIG. 2

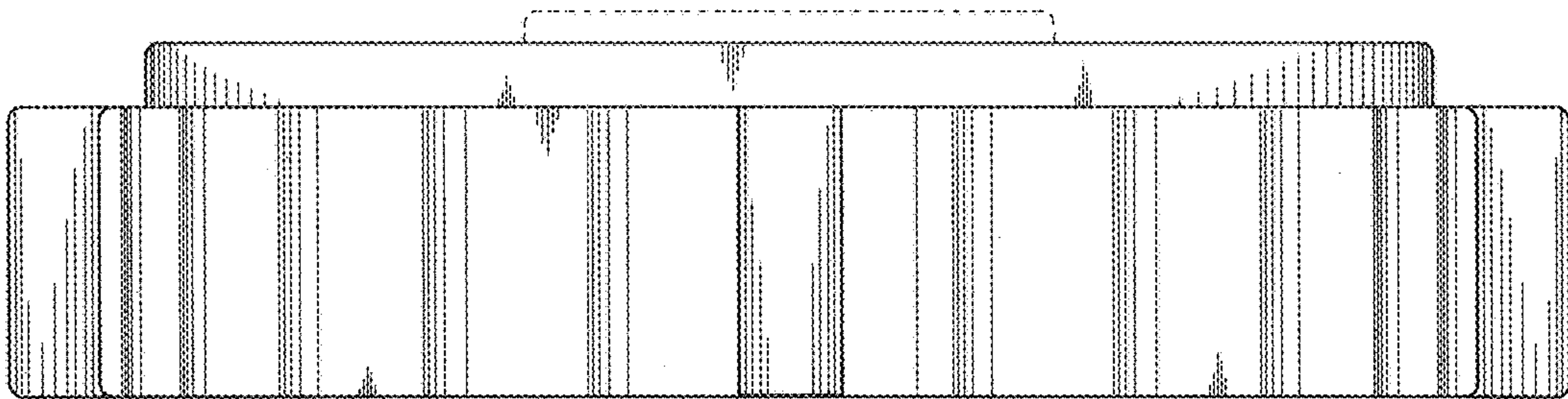


FIG. 3

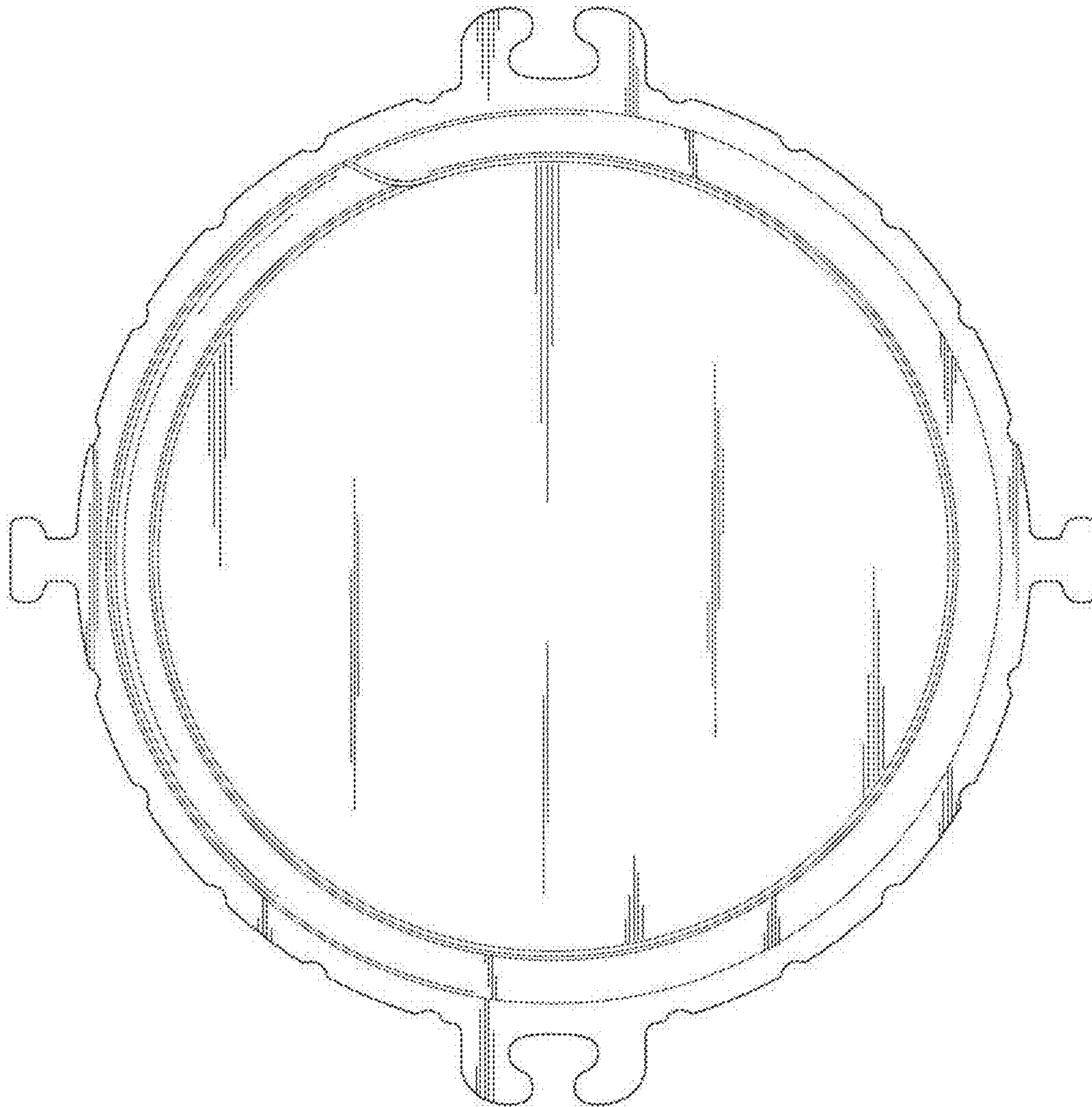


FIG. 4

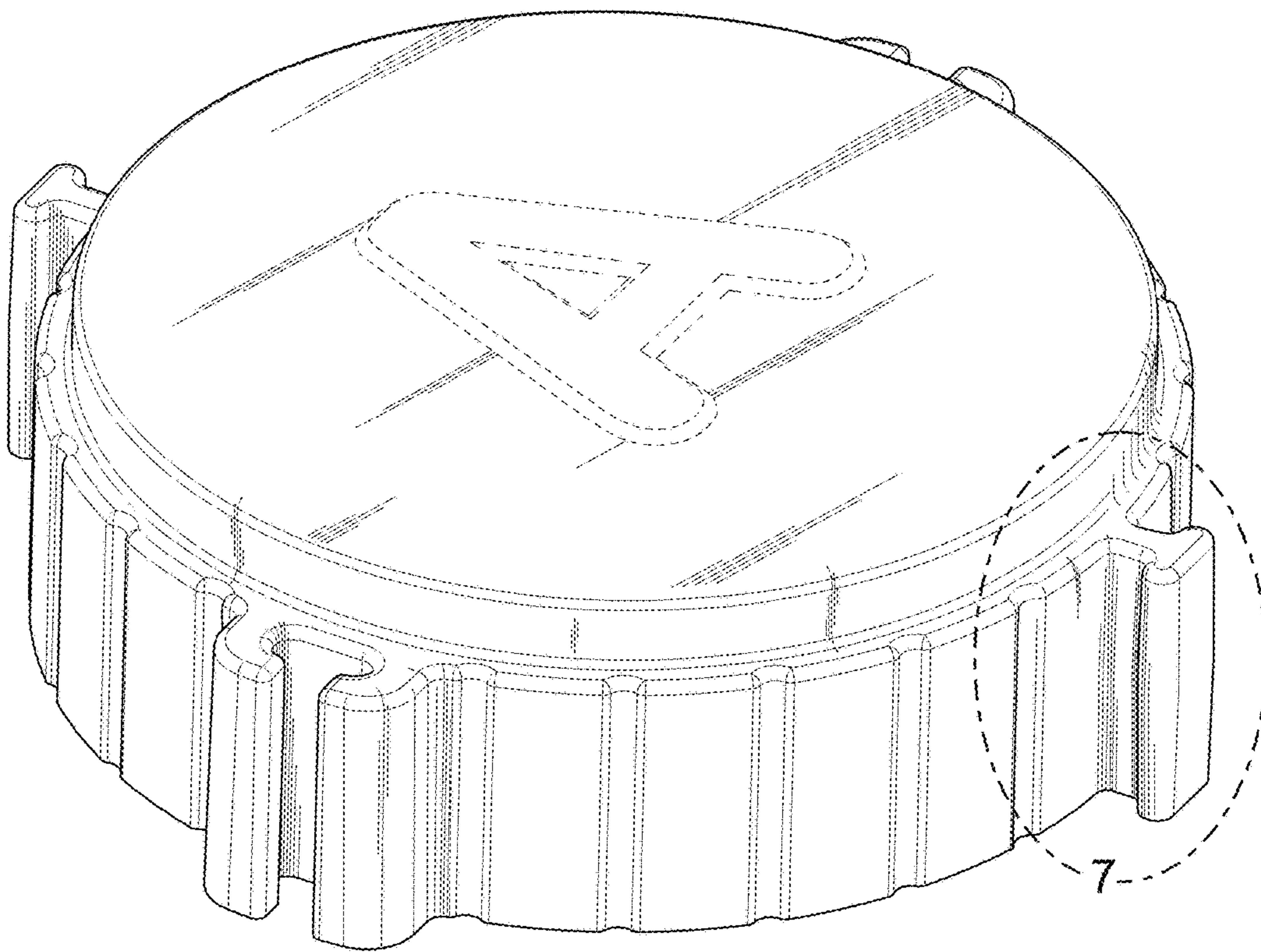


FIG. 5

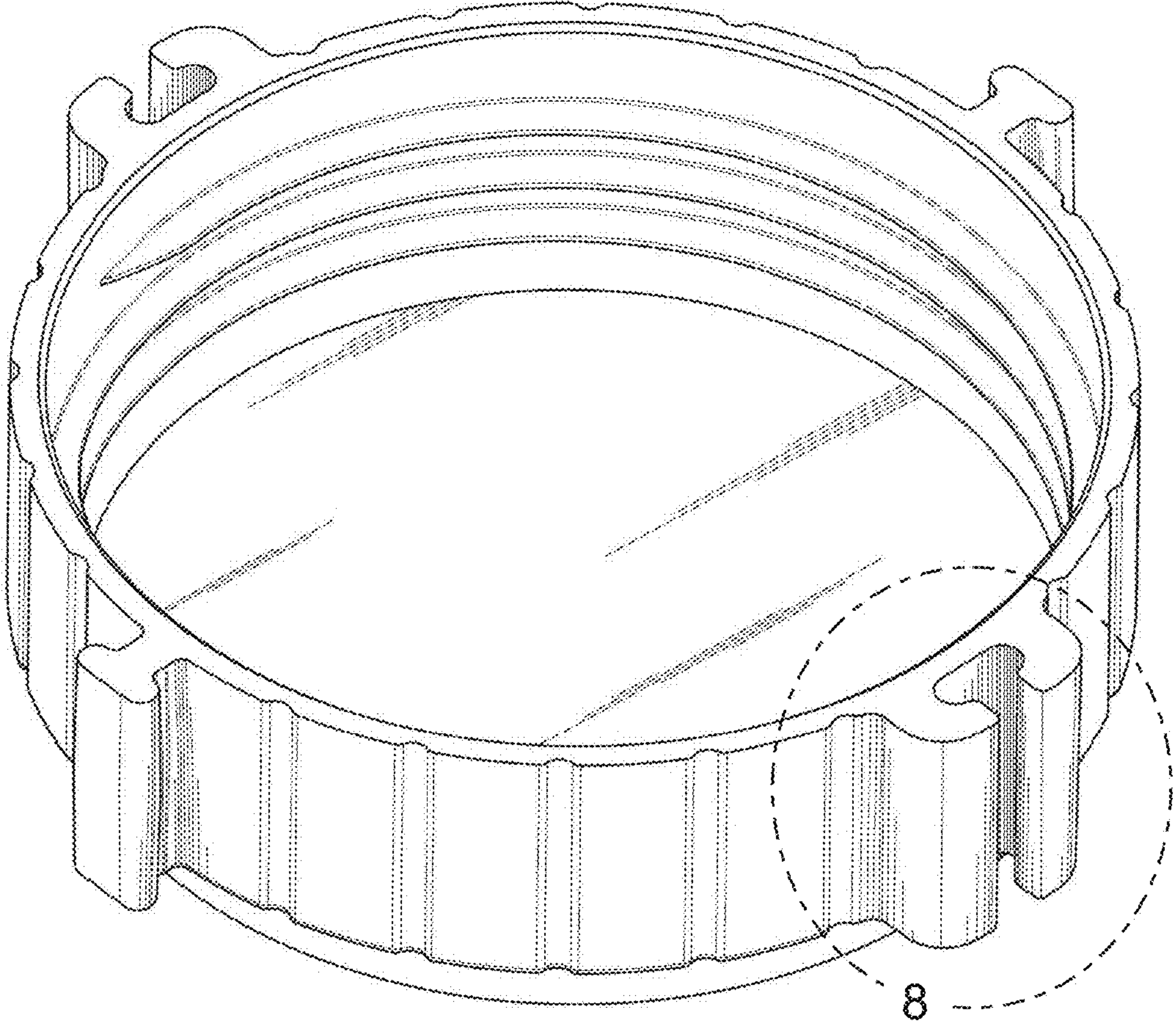


FIG. 6

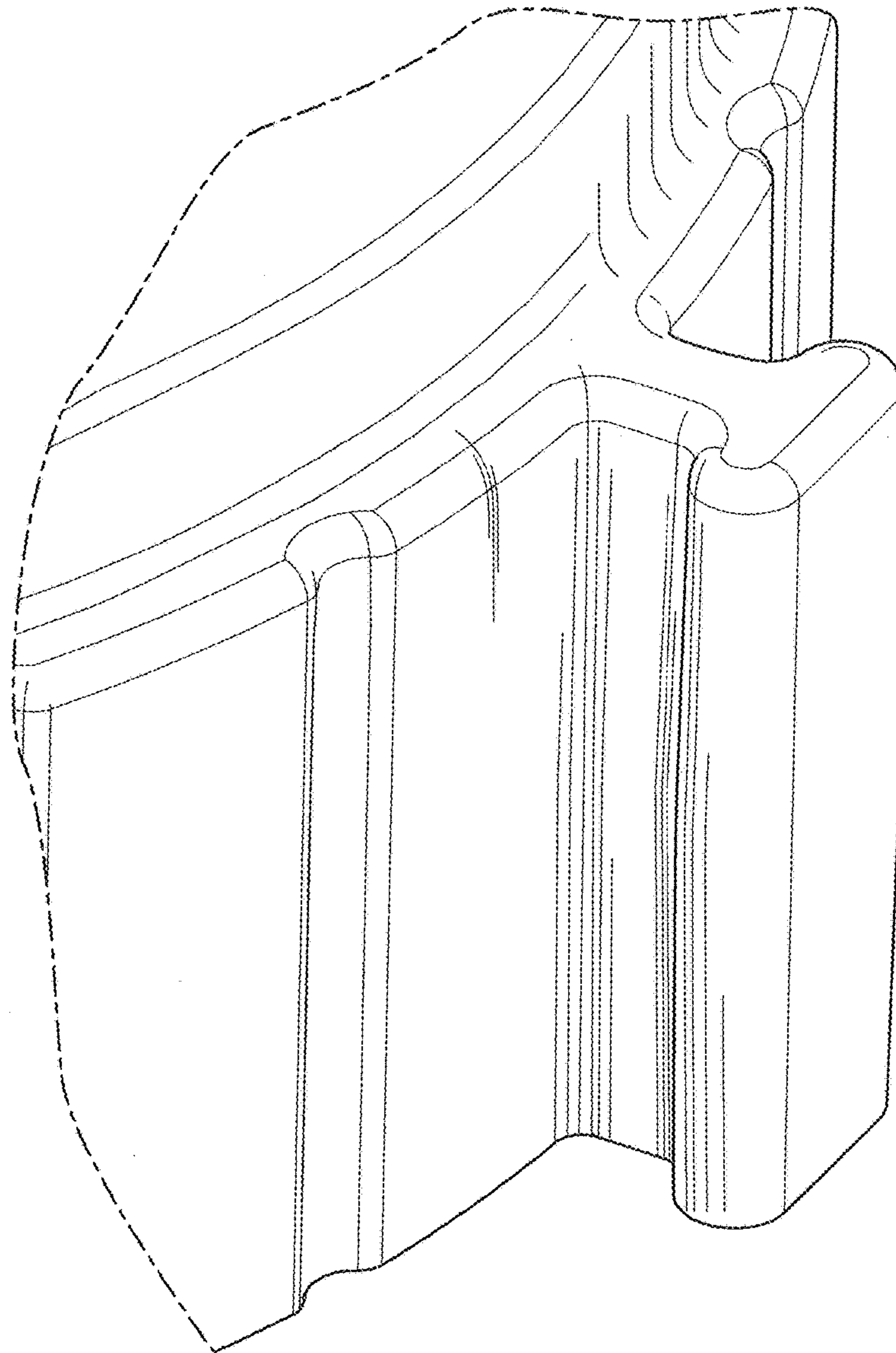


FIG. 7

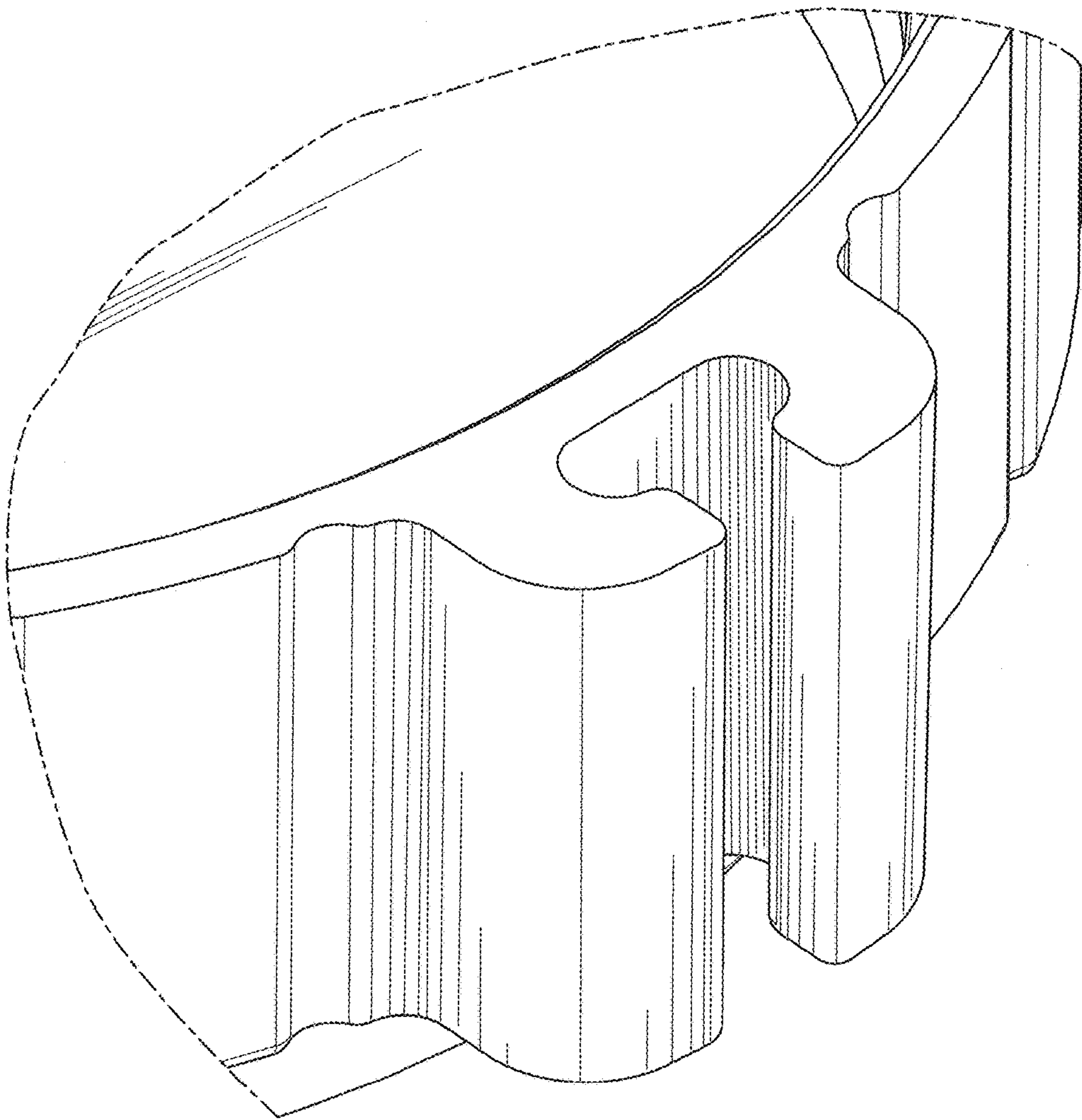


FIG. 8

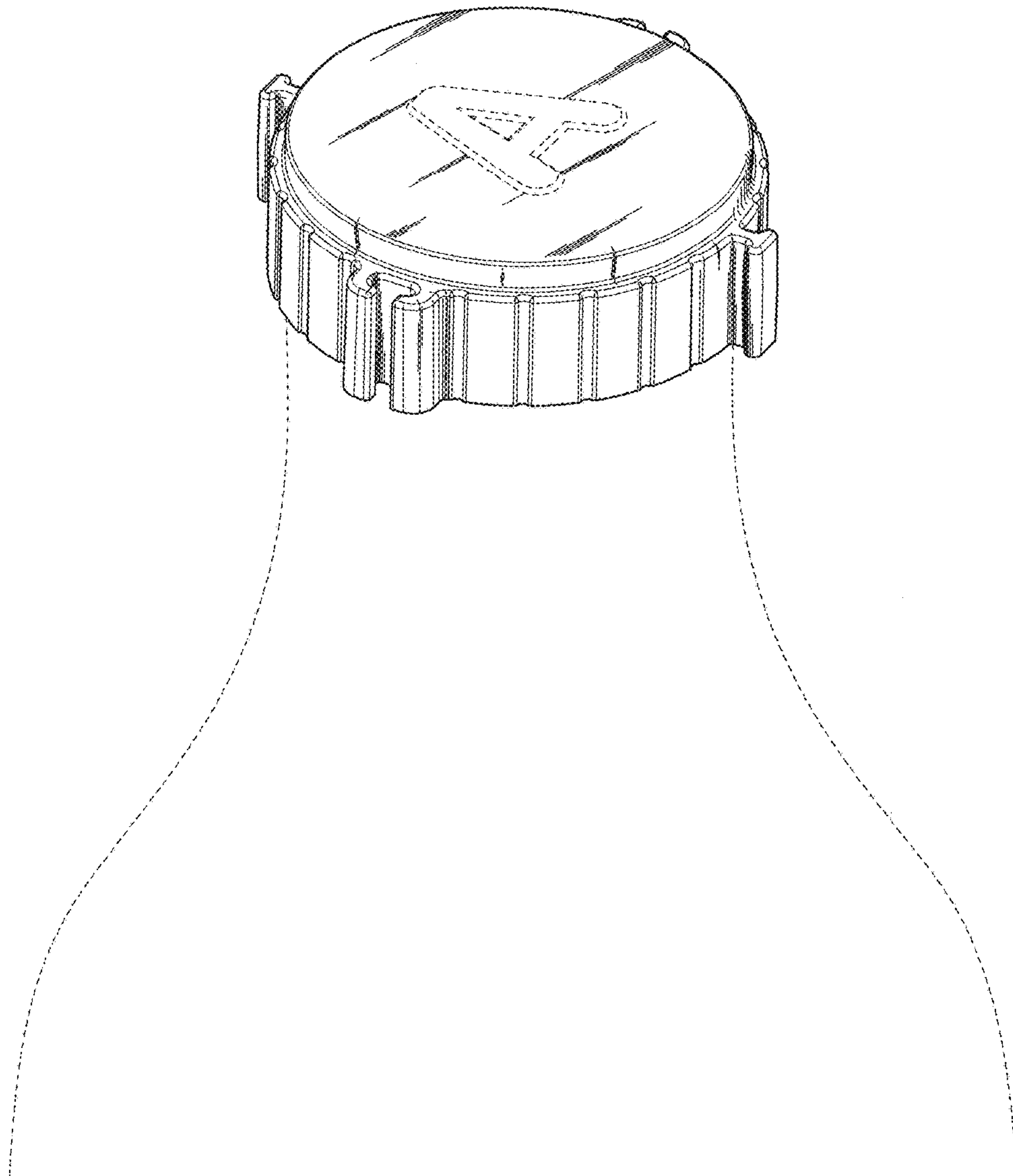


FIG. 9

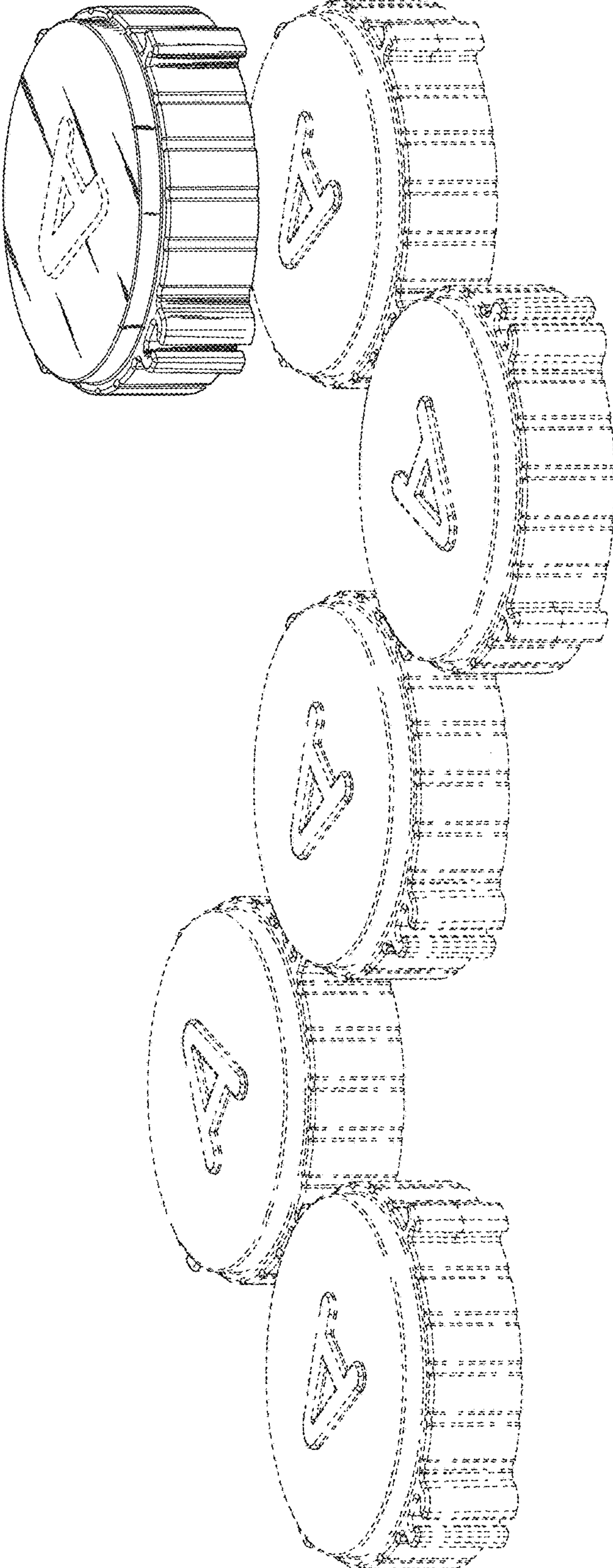


FIG. 10

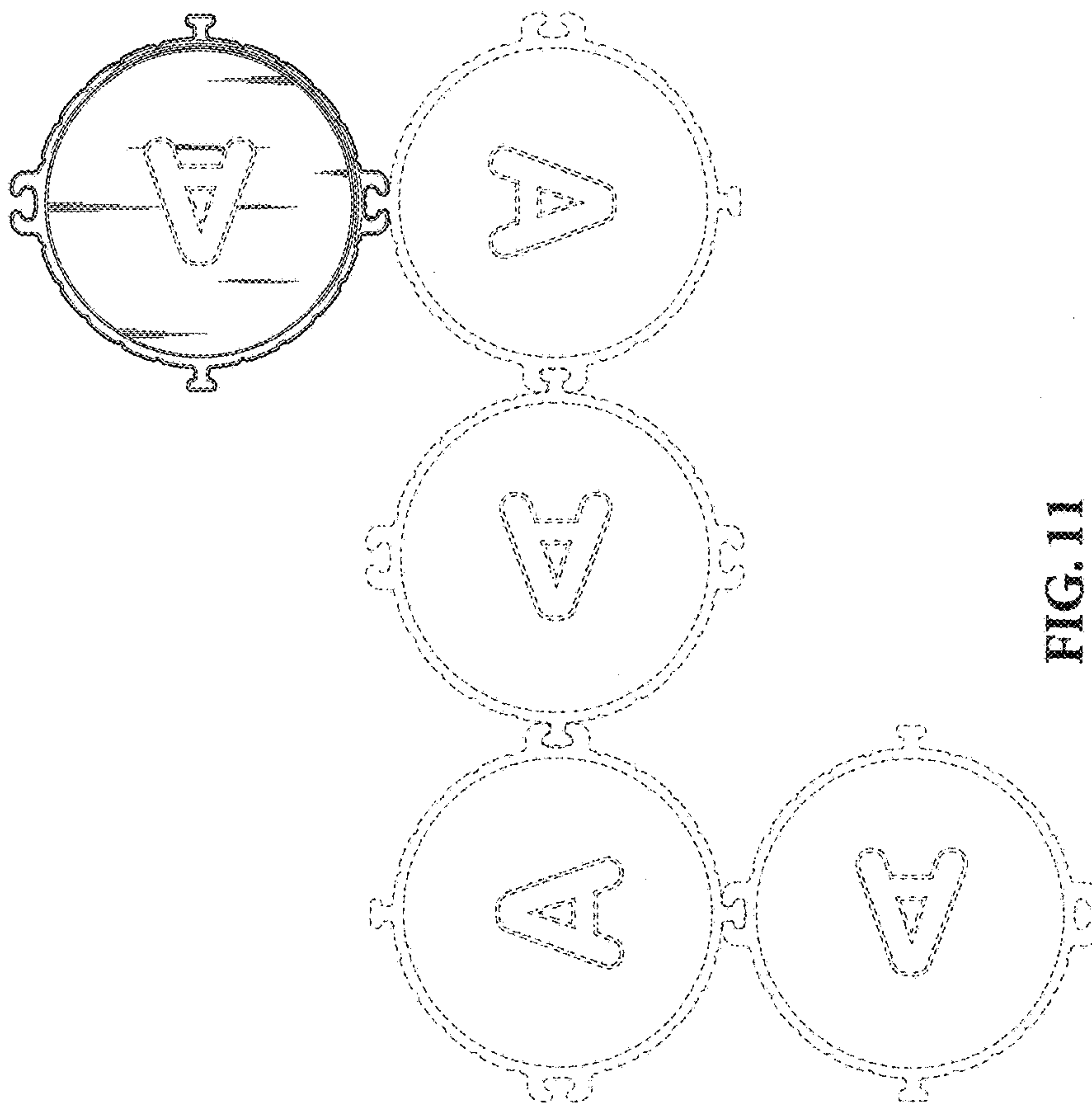


FIG. 11