



US00D784131S

(12) **United States Design Patent** (10) **Patent No.:** **US D784,131 S**  
**Jacobs** (45) **Date of Patent:** **\*\* \*Apr. 18, 2017**

(54) **33MM HANGER CAP**  
(71) Applicant: **Michael Jacobs**, Johnsbury, IL (US)  
(72) Inventor: **Michael Jacobs**, Johnsbury, IL (US)  
(73) Assignees: **Michael F. Jacobs**, Johnsbury, IL (US);  
**eStyle Caps and Closures, Inc.**,  
McHenry, IL (US)

D337,054 S \* 7/1993 Chong ..... D9/448  
D354,917 S \* 1/1995 Kusz et al. .... D9/560  
D530,608 S \* 10/2006 Nukuto et al. .... D9/445  
D592,055 S \* 5/2009 Goulet ..... D9/445  
D679,995 S \* 4/2013 Lee et al. .... D9/443  
2004/0031807 A1\* 2/2004 Chou ..... 220/786

**FOREIGN PATENT DOCUMENTS**

GB 2037900 \* 3/1994

(\* ) Notice: This patent is subject to a terminal disclaimer.

\* cited by examiner

(\*\*) Term: **14 Years**

*Primary Examiner* — Susan Bennett Hattan

*Assistant Examiner* — Leanne Was-Englehart

(21) Appl. No.: **29/442,726**

(74) *Attorney, Agent, or Firm* — Scherrer Patent & Trademark Law, P.C.; Stephen T. Scherrer; Monique A. Morneault

(22) Filed: **Apr. 29, 2013**

(51) **LOC (10) Cl.** ..... **09-07**

(52) **U.S. Cl.**  
USPC ..... **D9/436**

(57) **CLAIM**

The ornamental design for a 33 mm hanger cap, as shown and described.

(58) **Field of Classification Search**  
USPC ..... D7/628; D9/420, 432, 435, 436, 439,  
D9/443, 445, 447, 448, 451, 452, 453,  
D9/454, 682, 685, 686, 688; D11/157;  
D12/197; D23/213, 226, 238; D24/115;  
206/423; 215/235, 247, 355-364;  
220/228, 254.1, 269, 270, 786; 222/481,  
222/498; 229/117.3, 125.04, 125.09  
See application file for complete search history.

**DESCRIPTION**

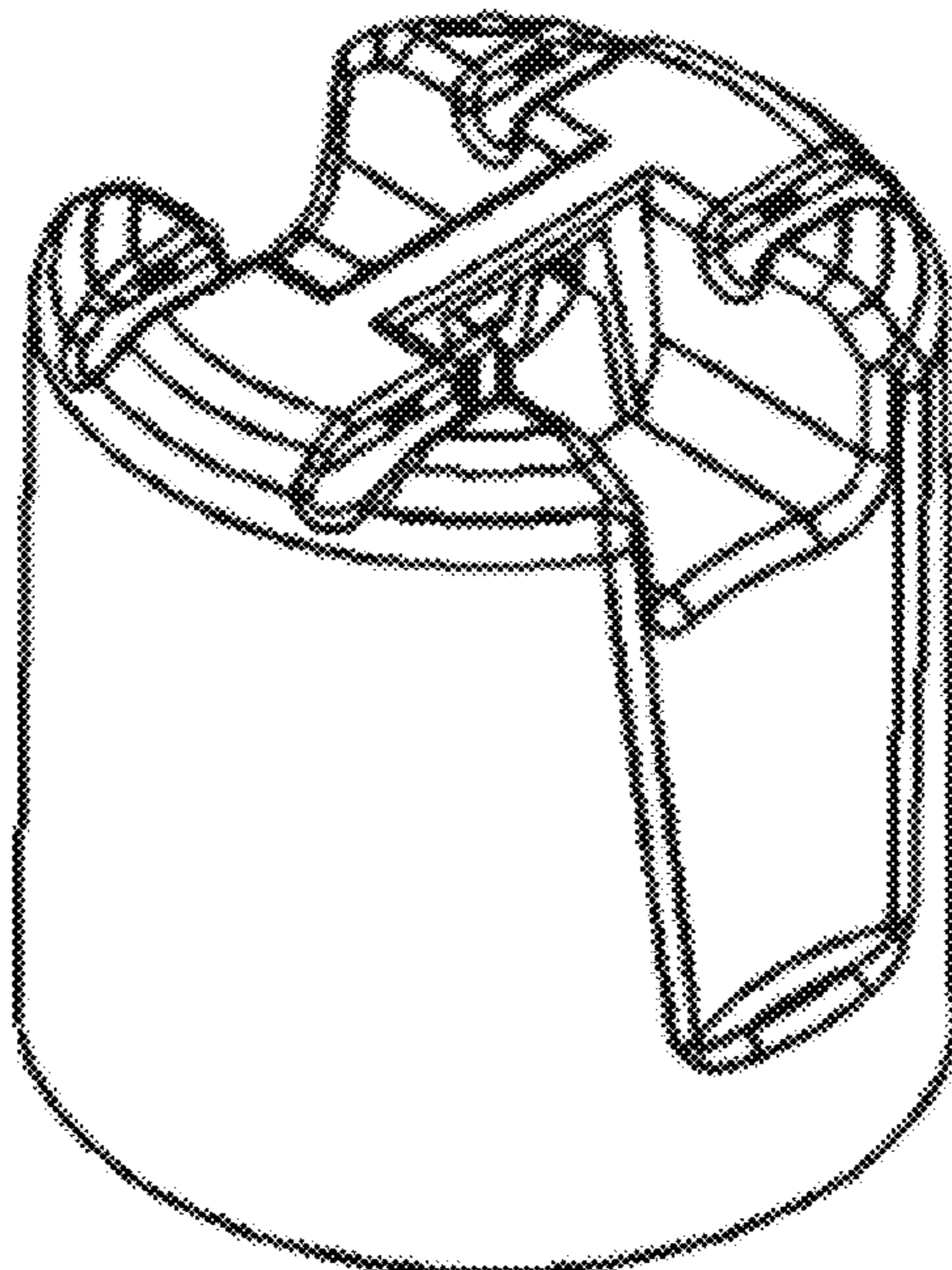
FIG. 1 is a top left perspective view;  
FIG. 2 is a top view;  
FIG. 3 is a top right perspective view;  
FIG. 4 is a left side elevation view;  
FIG. 5 is a front elevation view, the rear view being a mirror image;  
FIG. 6 is a right side elevation view;  
FIG. 7 is a bottom left perspective view; and,  
FIG. 8 is a bottom right perspective view.

(56) **References Cited**

**U.S. PATENT DOCUMENTS**

3,023,925 A \* 3/1962 Sher ..... 220/786  
D244,431 S \* 5/1977 Butcher ..... D9/448

**1 Claim, 4 Drawing Sheets**



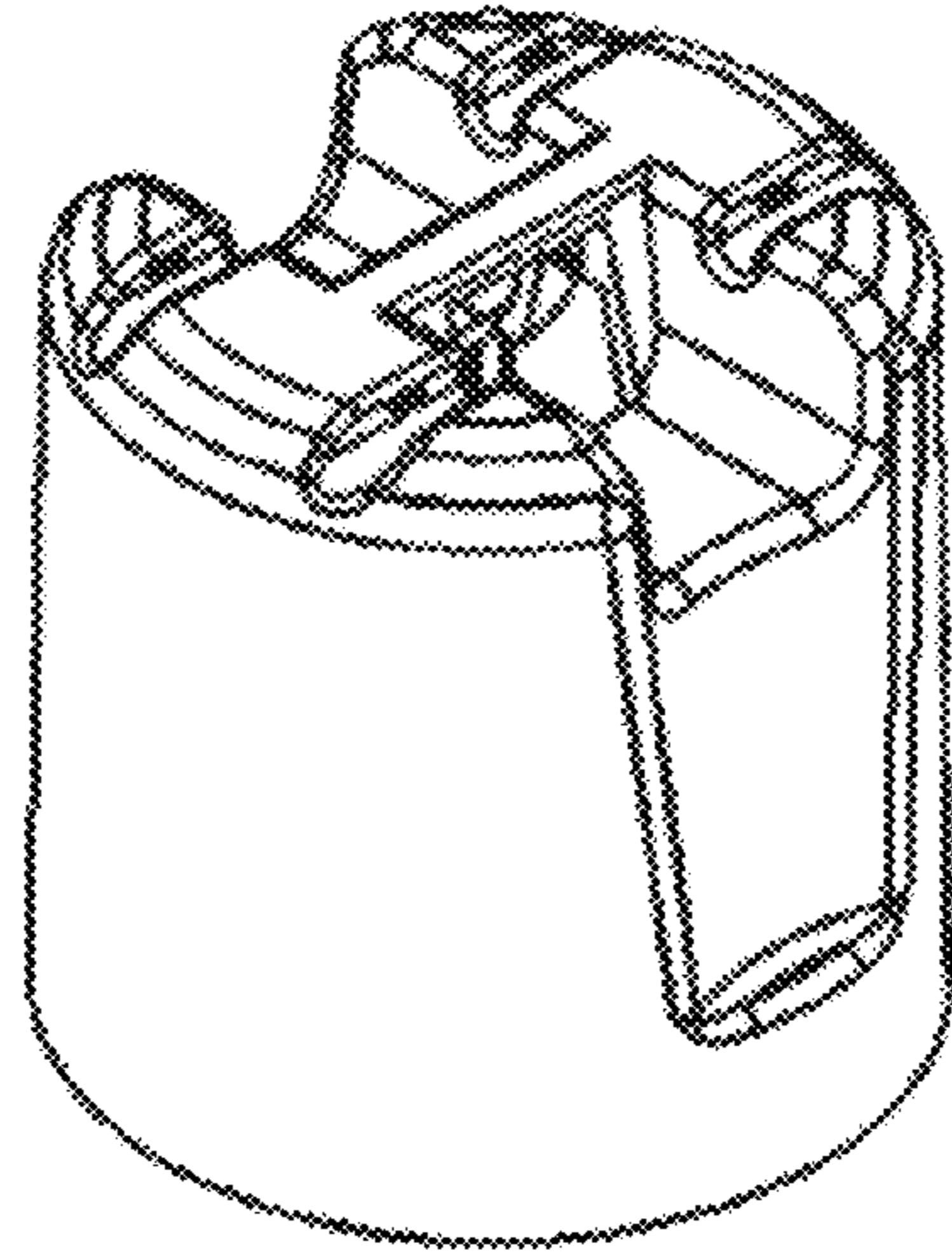


FIG. 1

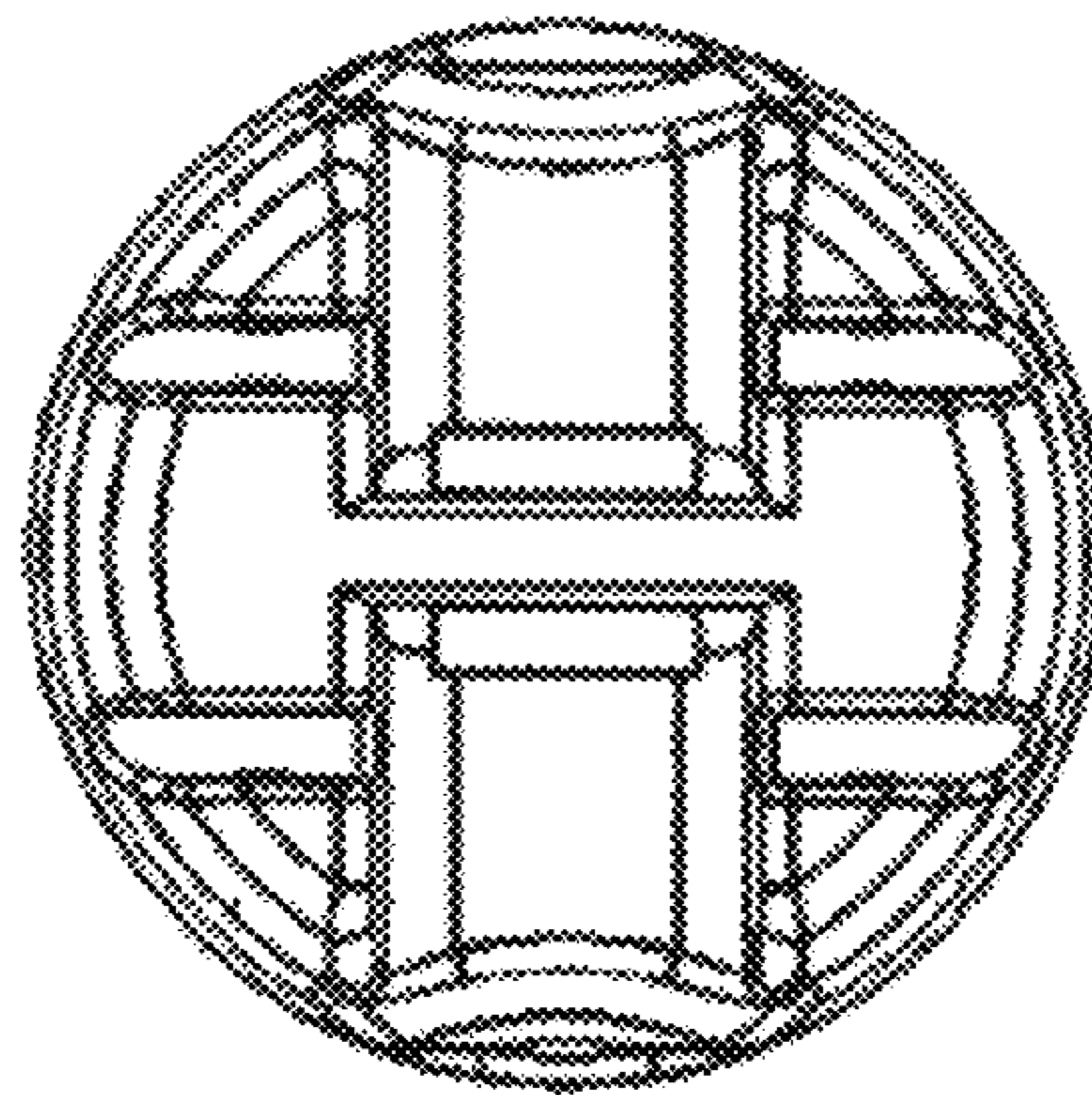


FIG. 2

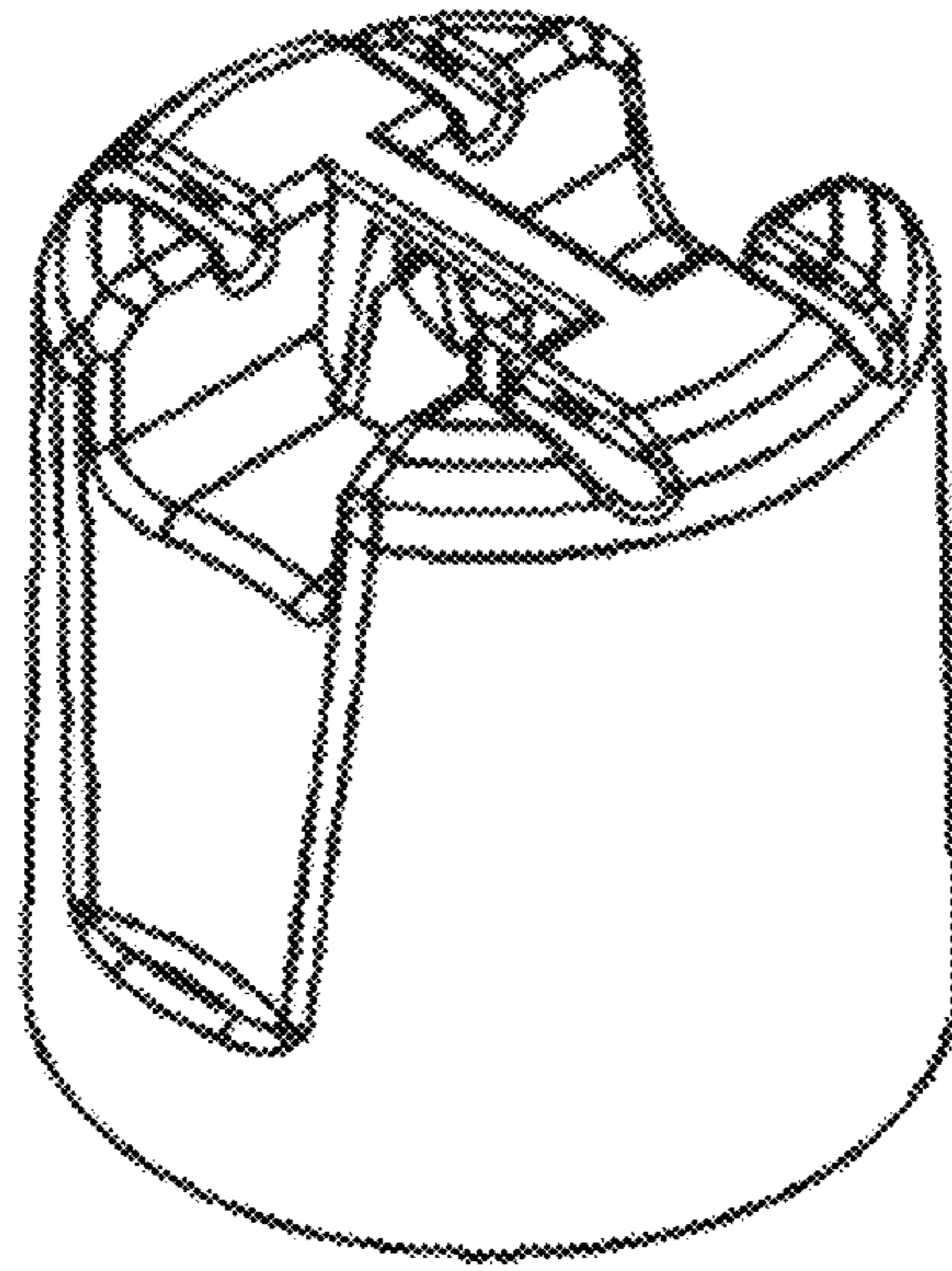


FIG. 3

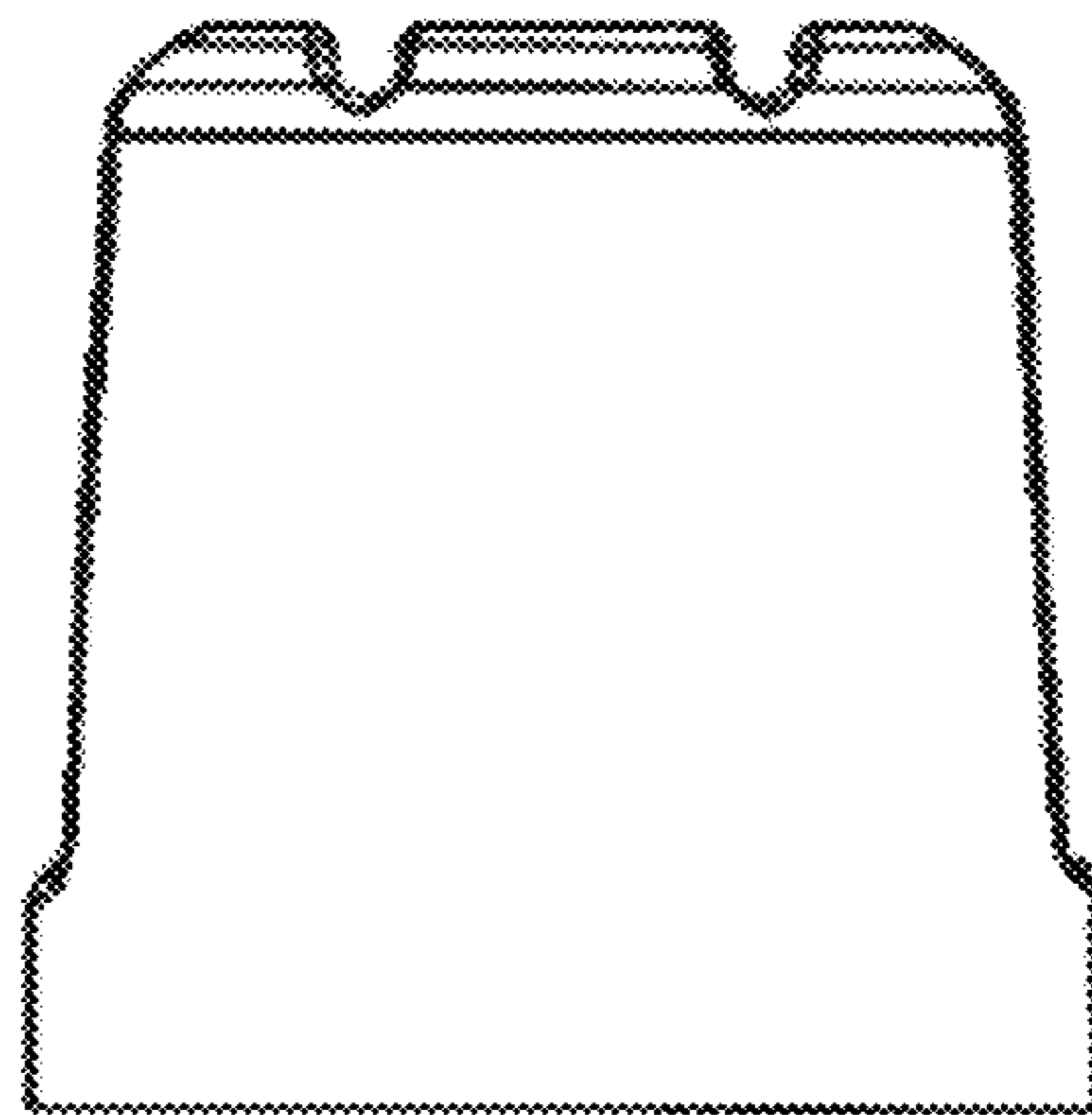


FIG. 4

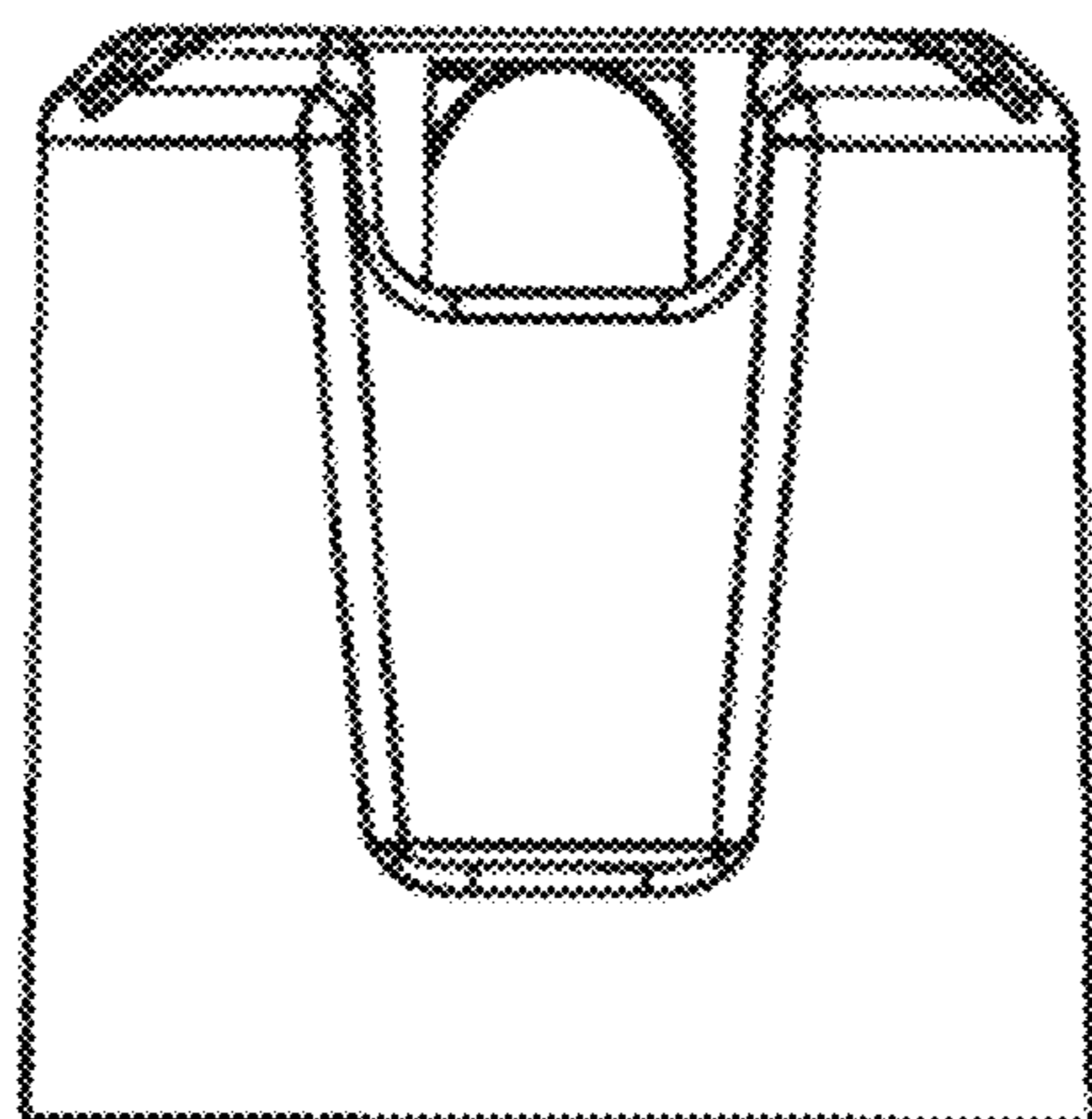


FIG. 5

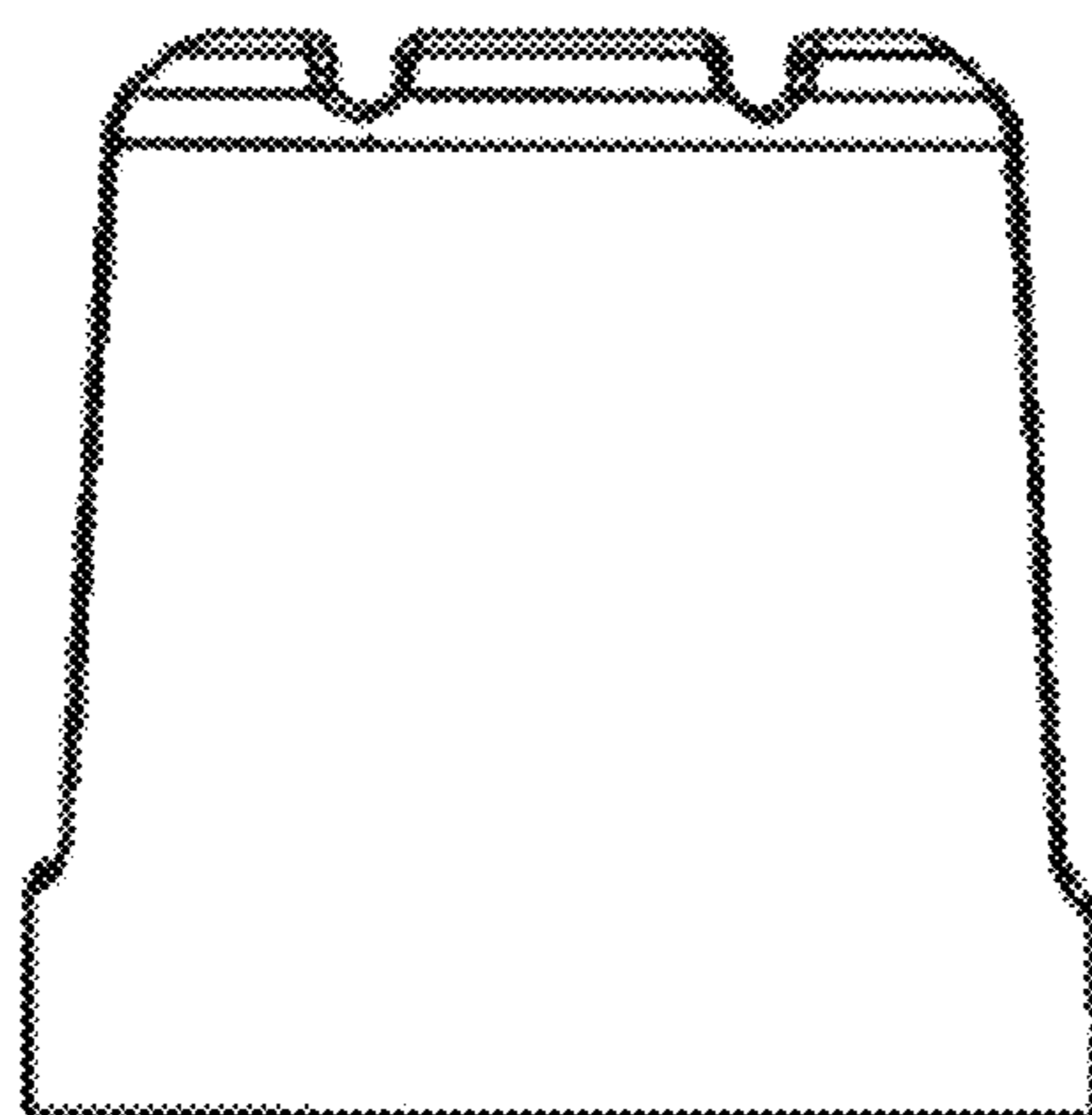


FIG. 6



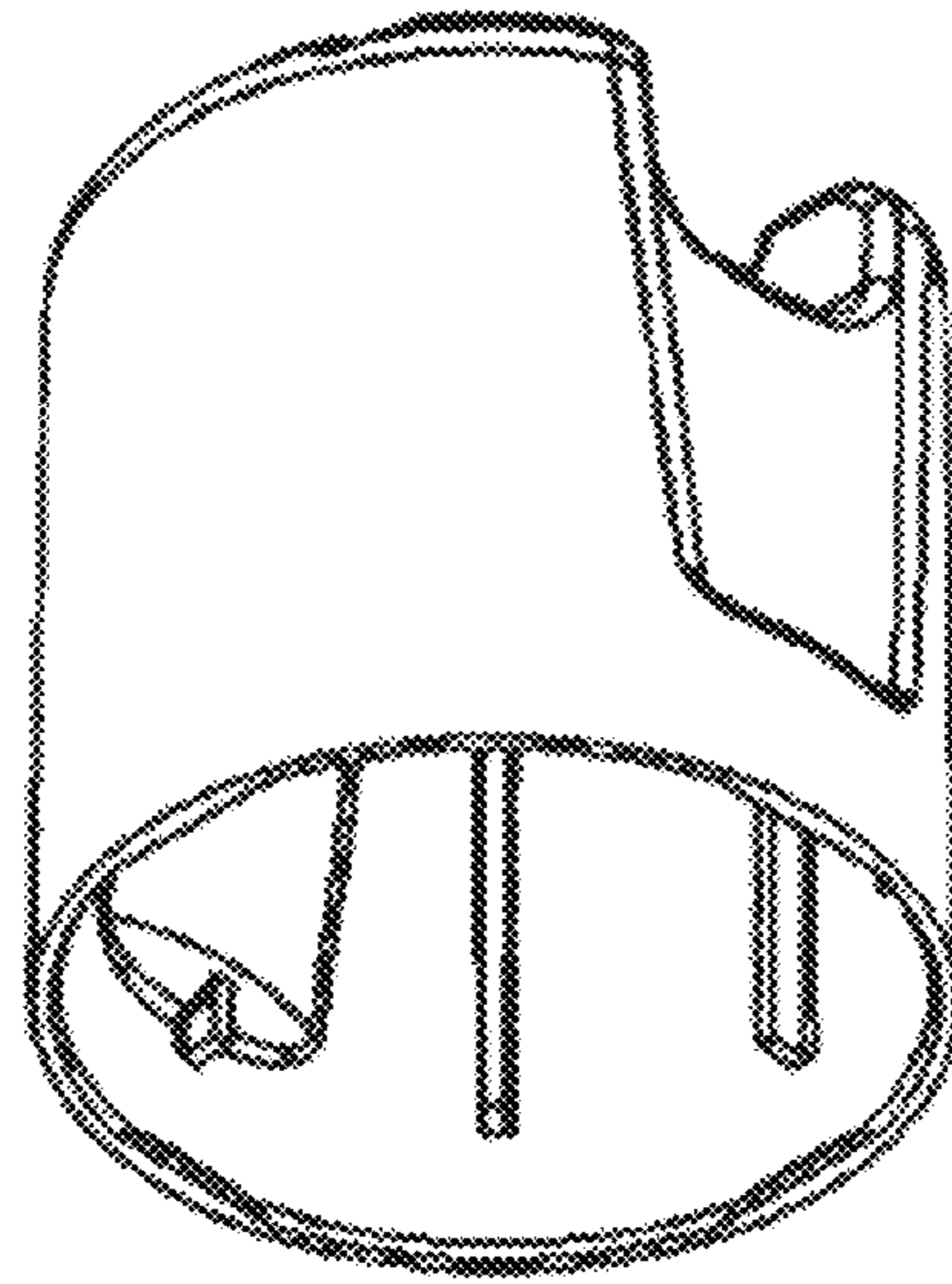


FIG. 7

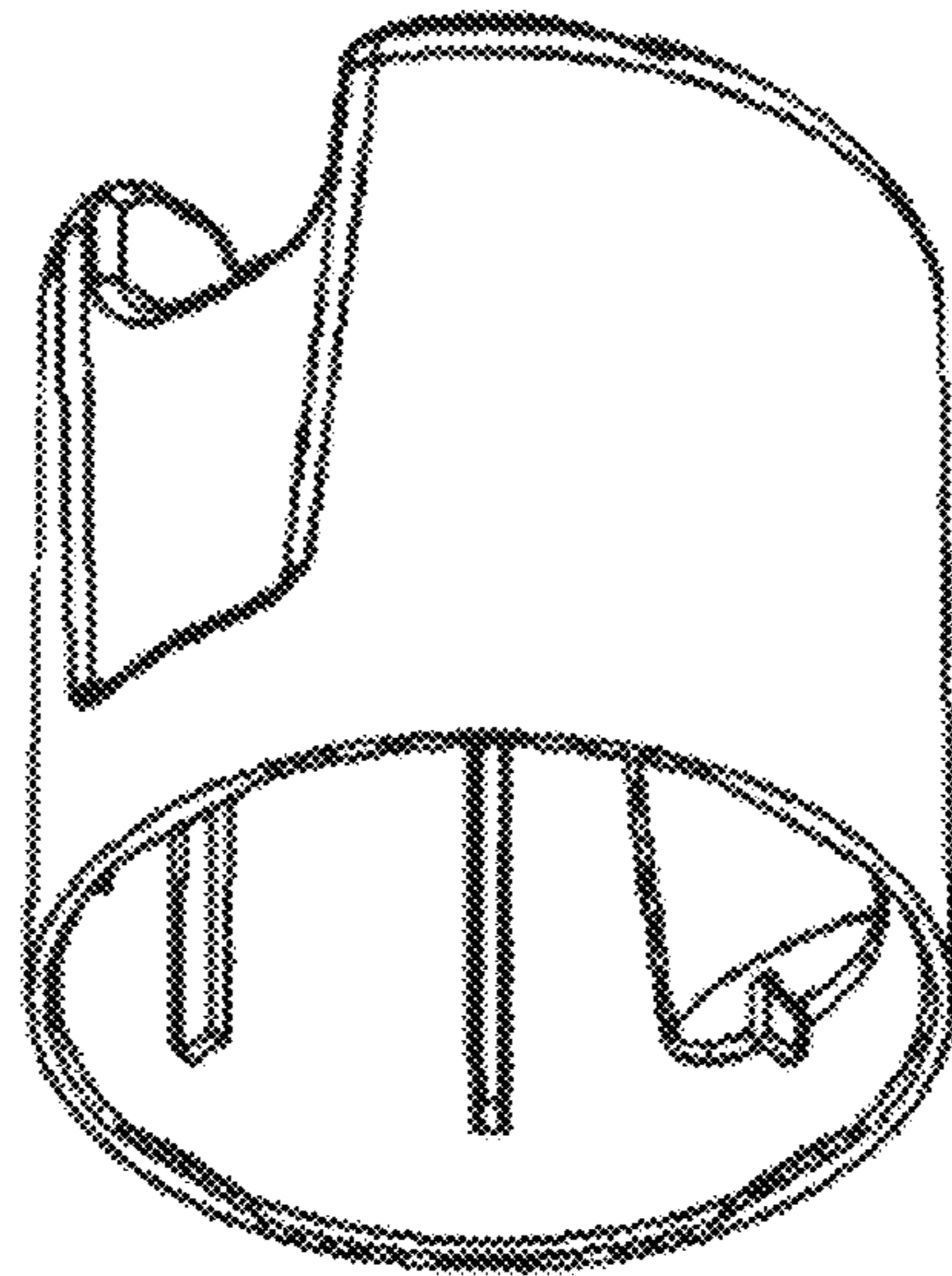


FIG. 8