



US00D784128S

(12) **United States Design Patent**  
**Ramirez et al.**

(10) **Patent No.:** **US D784,128 S**  
(45) **Date of Patent:** **\*\* Apr. 18, 2017**

(54) **LID FOR AN EGG CARTON**

85/327; B65D 77/0413; B65D 11/18;  
B65D 43/162; B65B 1/04

See application file for complete search history.

(71) Applicant: **Tekni-Plex, Inc.**, King of Prussia, PA  
(US)

(56) **References Cited**

(72) Inventors: **Richard L. Ramirez**, Lawrenceville,  
GA (US); **Mark A. Bergeron**, Monroe,  
GA (US); **Babu Kuruvilla**, Griffen, GA  
(US); **Roger P. Lichtle**, Decatur, IN  
(US)

U.S. PATENT DOCUMENTS

D160,738 S \* 10/1950 Randal ..... 206/521.1  
3,563,446 A \* 2/1971 Lake ..... B65D 85/324  
206/521.1  
3,570,747 A \* 3/1971 McKenna ..... B65D 85/324  
206/521.1  
3,572,578 A \* 3/1971 Rohdin ..... B65D 85/324  
206/521.8

(Continued)

(73) Assignee: **Tekni-Plex, Inc.**, Wayne, PA (US)

(\*\*) Term: **14 Years**

OTHER PUBLICATIONS

U.S. Appl. No. 13/349,360, filed Jan. 12, 2012, Trifold Egg Carton  
for Jumbo Eggs.

(Continued)

(21) Appl. No.: **29/499,586**

*Primary Examiner* — Thomas Johannes

*Assistant Examiner* — Catherine Posthauer

(74) *Attorney, Agent, or Firm* — Polsinelli PC

(22) Filed: **Aug. 15, 2014**

(51) **LOC (10) Cl.** ..... **09-07**

(52) **U.S. Cl.**

USPC ..... **D9/435**; D7/602; D7/611; D9/434;  
D9/756; D9/757; D9/762

(57) **CLAIM**

The ornamental design for a lid for an egg carton, as shown  
and described.

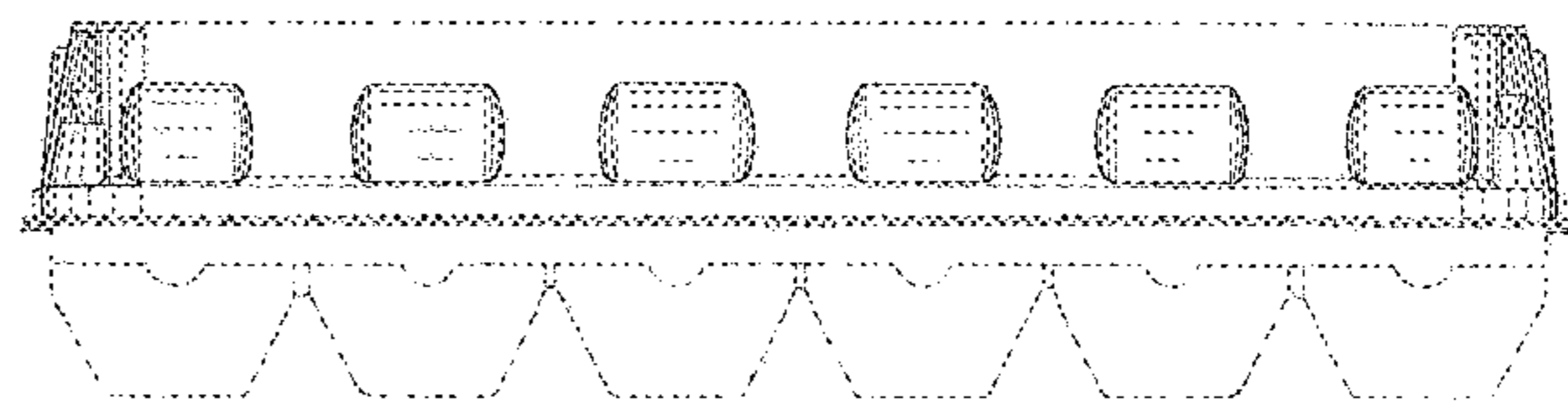
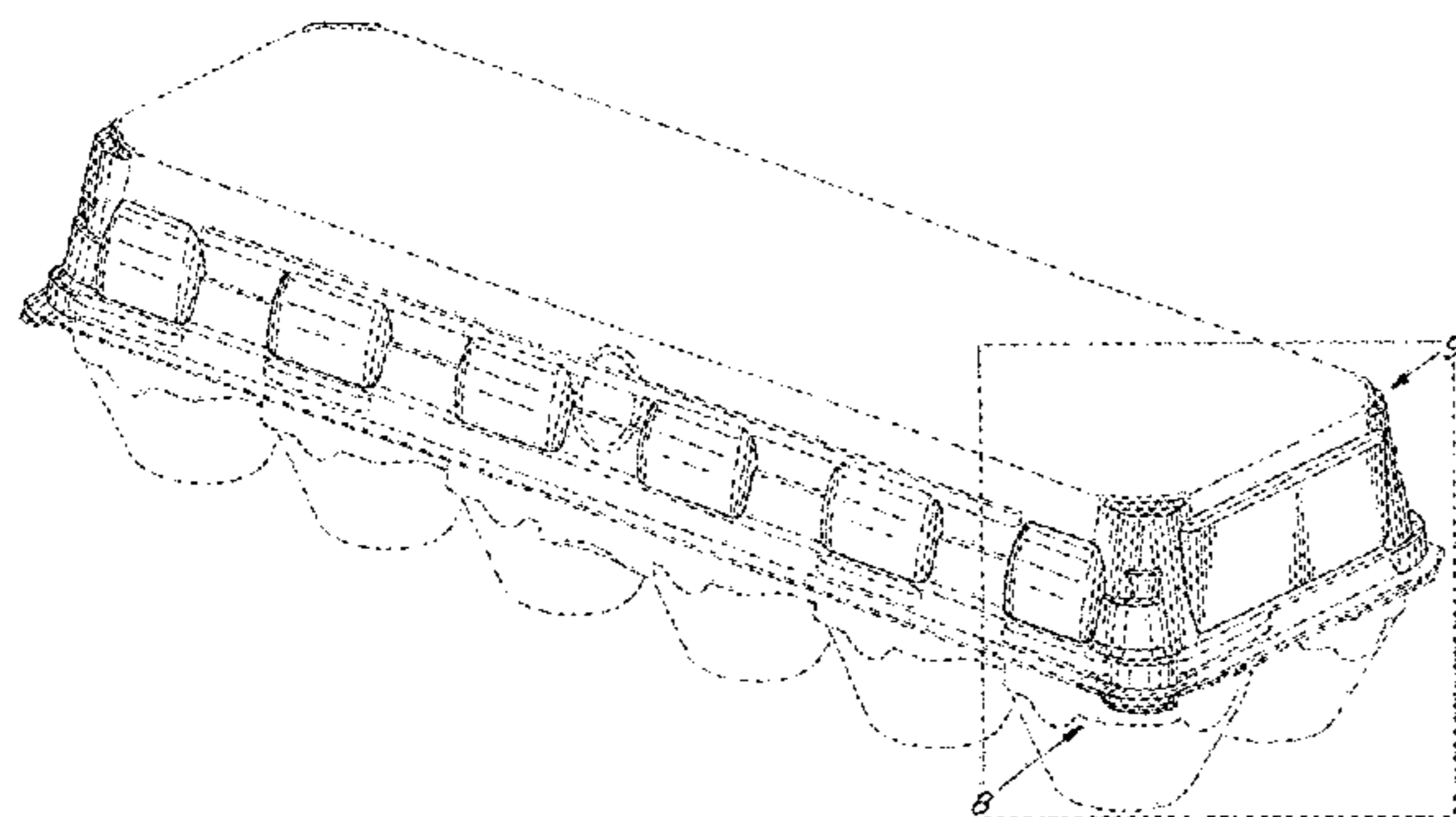
(58) **Field of Classification Search**

USPC ..... D3/275, 294, 318; D6/491, 492,  
D6/509–511, 512, 515–523; D7/540,  
D7/541, 542, 553.1, 554.1, 554.3, 560,  
D7/562, 602, 611, 615; D9/356,  
D9/420–426, 434, 435, 449, 452, 456,  
D9/734, 737, 744, 756, 757, 761, 762;  
222/175, 180; 206/225, 233, 389, 391,  
206/406, 409, 449, 508, 521, 521.1,  
206/521.3, 521.4, 521.6, 521.8, 521.9,  
206/564, 812, 824; 211/13.1, 41  
CPC ..... B65D 85/30; B65D 85/32; B65D 85/324;  
B65D 85/325; B65D 85/326; B65D

**DESCRIPTION**

FIG. 1 is a top, front right side perspective view of a lid for  
an egg carton;  
FIG. 2 is a front elevation view thereof;  
FIG. 3 is a rear elevation view thereof;  
FIG. 4 is a left side elevation view thereof;  
FIG. 5 is a right side elevation view thereof;  
FIG. 6 is a top plan view thereof;  
FIG. 7 is a bottom plan view thereof;  
FIG. 8 is an enlarged detail view taken from the designation  
**8** on FIG. 1; and,  
FIG. 9 is an enlarged detail view, taken from the designation  
**9** on FIG. 1.

(Continued)



The evenly broken lines represent portions of the article that form no part of the claimed design. The dot-dot dash lines represent the designation of enlargement views and form no part of the claimed design.

**1 Claim, 7 Drawing Sheets**

2005/0205570	A1*	9/2005	Ramirez .....	B65D 1/24 220/4.21
2010/0147729	A1*	6/2010	Blanchette .....	B65D 85/32 206/521.1
2013/0048527	A1*	2/2013	Ramirez .....	B65D 71/0096 206/521.1
2015/0266659	A1*	9/2015	Roth .....	D21J 7/00 206/459.5
2016/0046432	A1*	2/2016	Kuruvilla .....	B65D 85/32 206/521.1

(56)

**References Cited**

U.S. PATENT DOCUMENTS

3,648,916	A *	3/1972	Commisso .....	B65D 85/324 206/521.1
3,712,532	A *	1/1973	Alroy .....	B65D 85/324 206/518
3,817,441	A *	6/1974	Jackson .....	B65D 85/324 206/521.1
D273,844	S *	5/1984	Bixler .....	D9/426
D274,790	S *	7/1984	Bixler .....	D9/426
D291,533	S *	8/1987	Mangla .....	D9/757
D306,138	S *	2/1990	Congleton .....	D9/757
D385,780	S *	11/1997	Krupa .....	D9/757
D405,362	S *	2/1999	Herbruck .....	D9/762
D405,364	S *	2/1999	Herbruck .....	D9/762
D405,365	S *	2/1999	Herbruck .....	D9/762
D409,483	S *	5/1999	Herbruck .....	D9/762
D412,277	S *	7/1999	Herbruck .....	D9/762
D412,841	S *	8/1999	Herbruck .....	D9/762
6,012,583	A *	1/2000	Ramirez .....	B65D 85/324 206/508
D512,305	S *	12/2005	Ramirez .....	D9/425
D632,974	S *	2/2011	Dijkstra .....	D9/757

OTHER PUBLICATIONS

U.S. Appl. No. 14/062,415, filed Oct. 24, 2013, Apparatus and Method for Aligning and Holding Egg Cartons.  
 U.S. Appl. No. 13/219,174, filed Aug. 26, 2011, Standard Footprint Egg Carton for Holding Up to Jumbo Size Eggs.  
 U.S. Appl. No. 13/219,083, filed Aug. 26, 2011, Egg Carton With Mating Cell and Lid Post Structure.  
 U.S. Appl. No. 14/460,837, filed Aug. 15, 2014, Tri-Fold Egg Carton.  
 U.S. Appl. No. 29/499,586, filed Aug. 15, 2014, Lid for an Egg Carton.  
 U.S. Appl. No. 29/499,594, filed Aug. 15, 2014, Lid for an Egg Carton.  
 U.S. Appl. No. 29/499,588, filed Aug. 15, 2014, Lid for an Egg Carton.  
 U.S. Appl. No. 14/460,889, filed Aug. 15, 2014, Method and Apparatus for Forming a Notched Hinge Connection in a Thermoformed Container.  
 U.S. Appl. No. 29/499,548, filed Aug. 15, 2014, Hinge Assembly for an Egg Carton.

\* cited by examiner

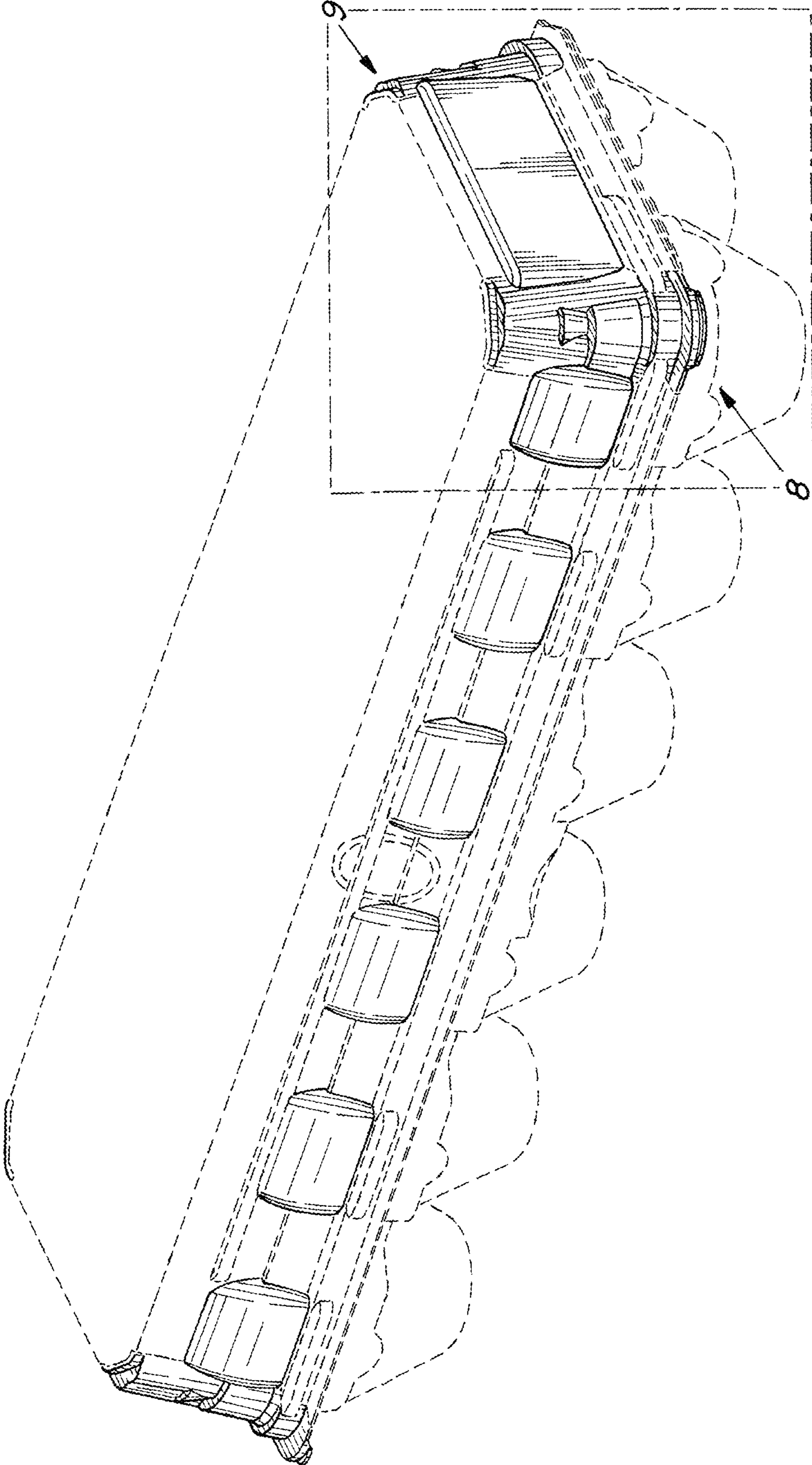
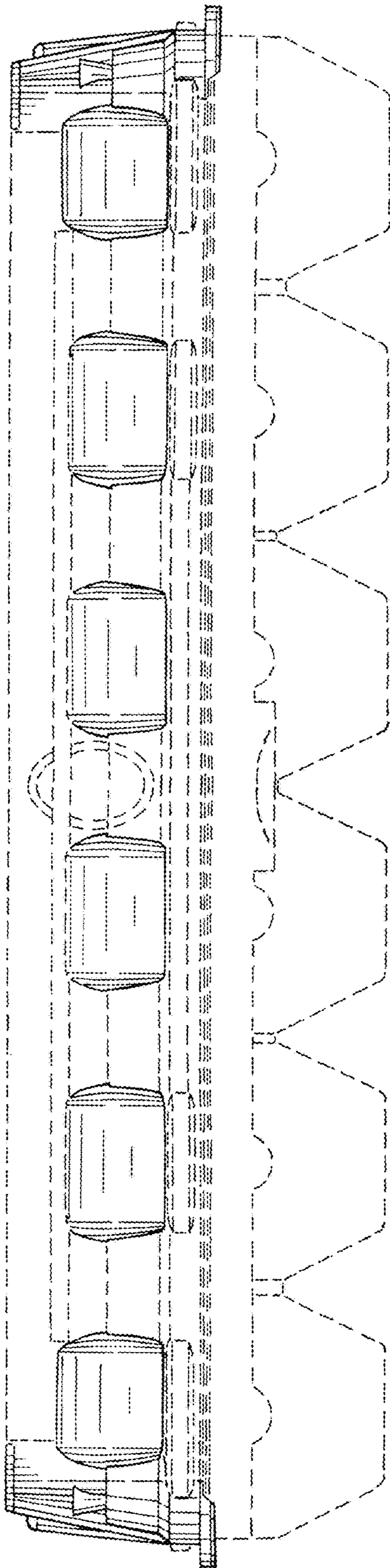
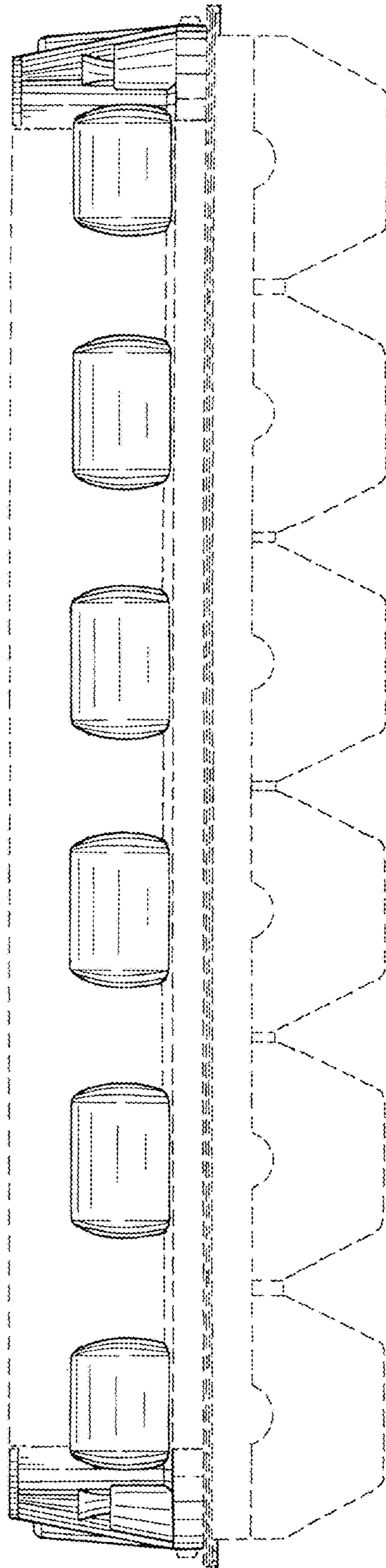


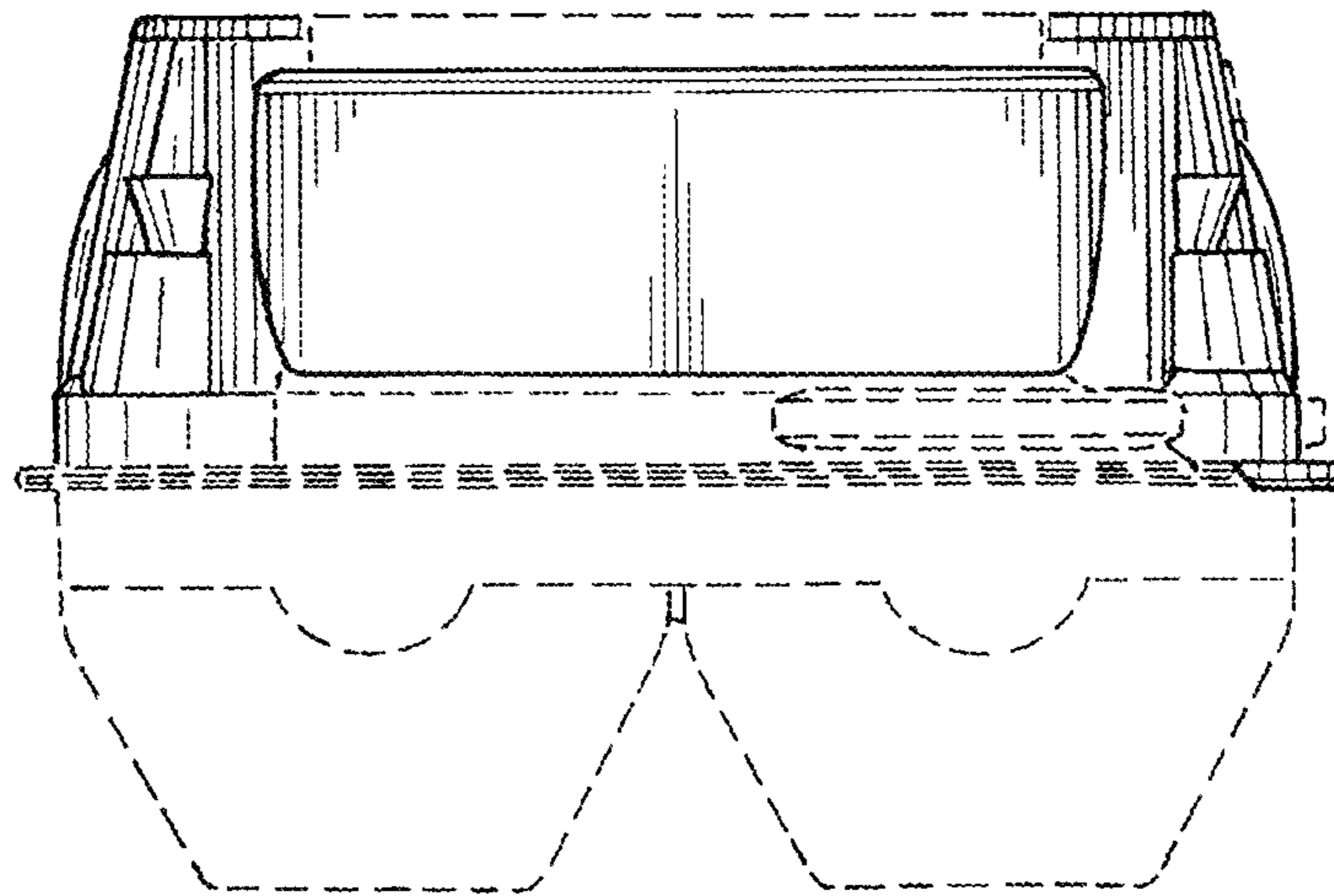
Fig. 1



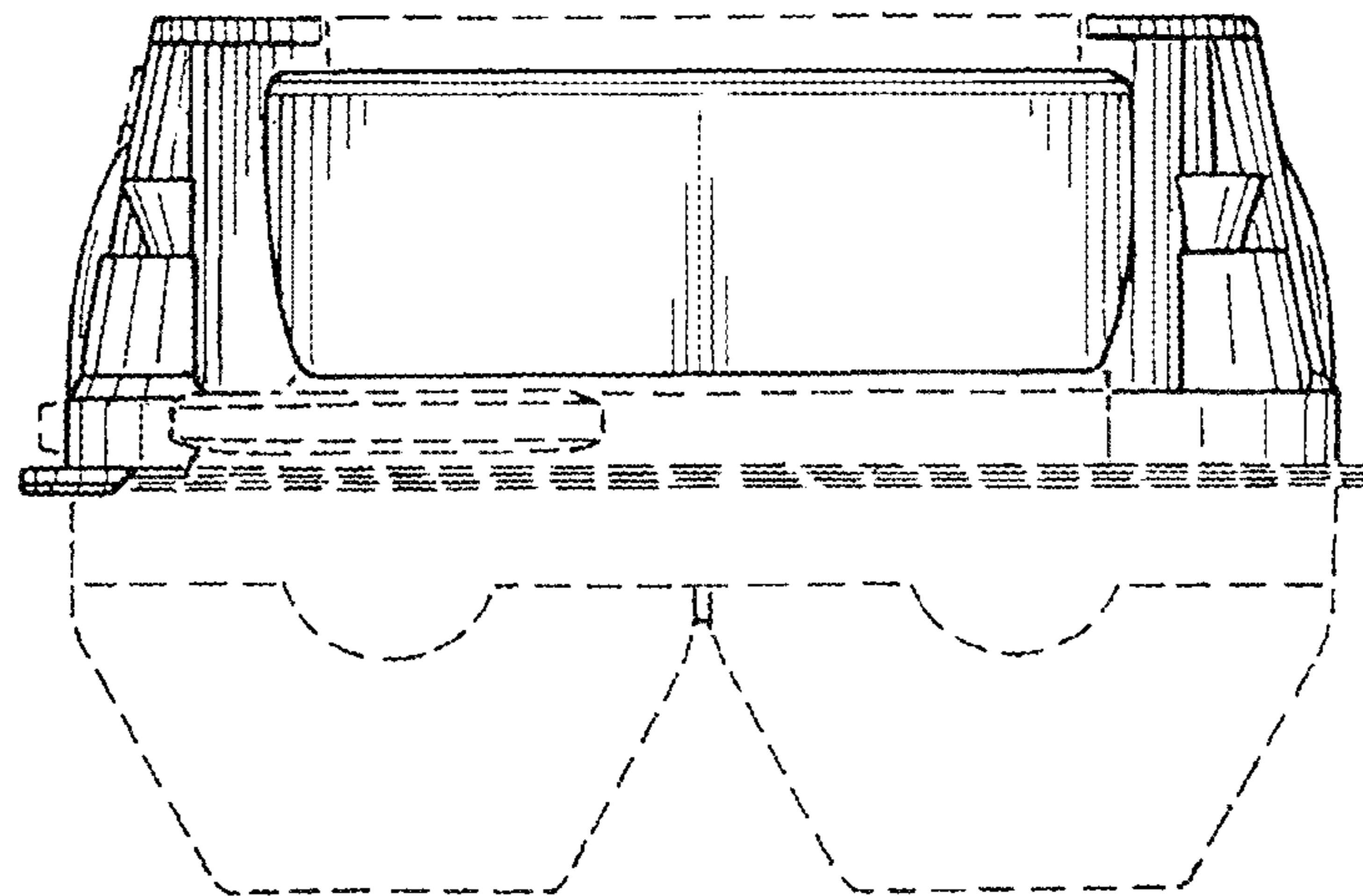
*Fig. 2*



*Fig. 3*



*Fig. 4*



*Fig. 5*

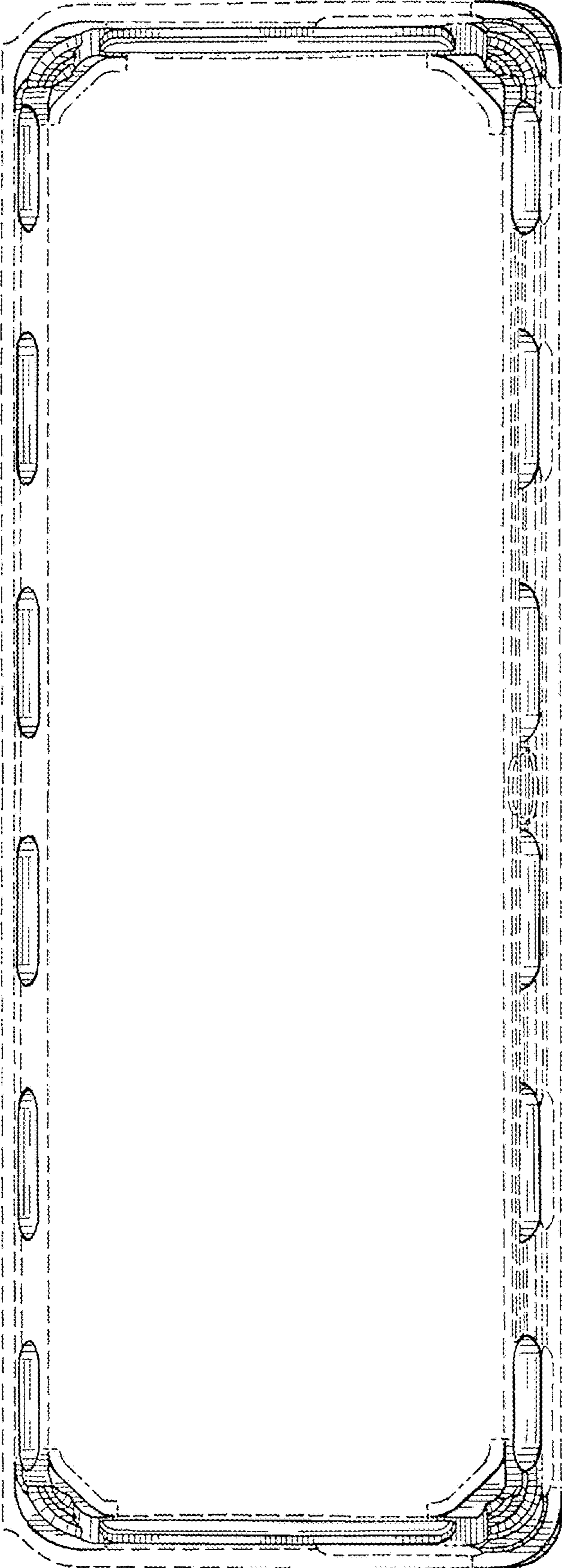
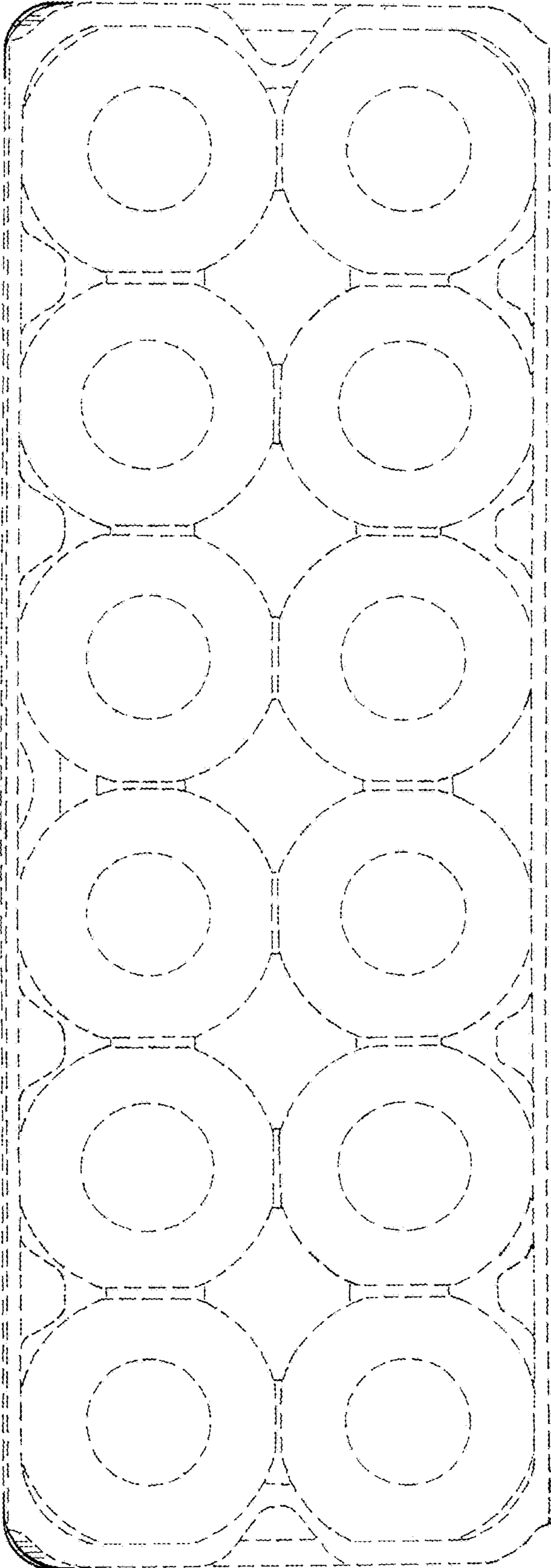
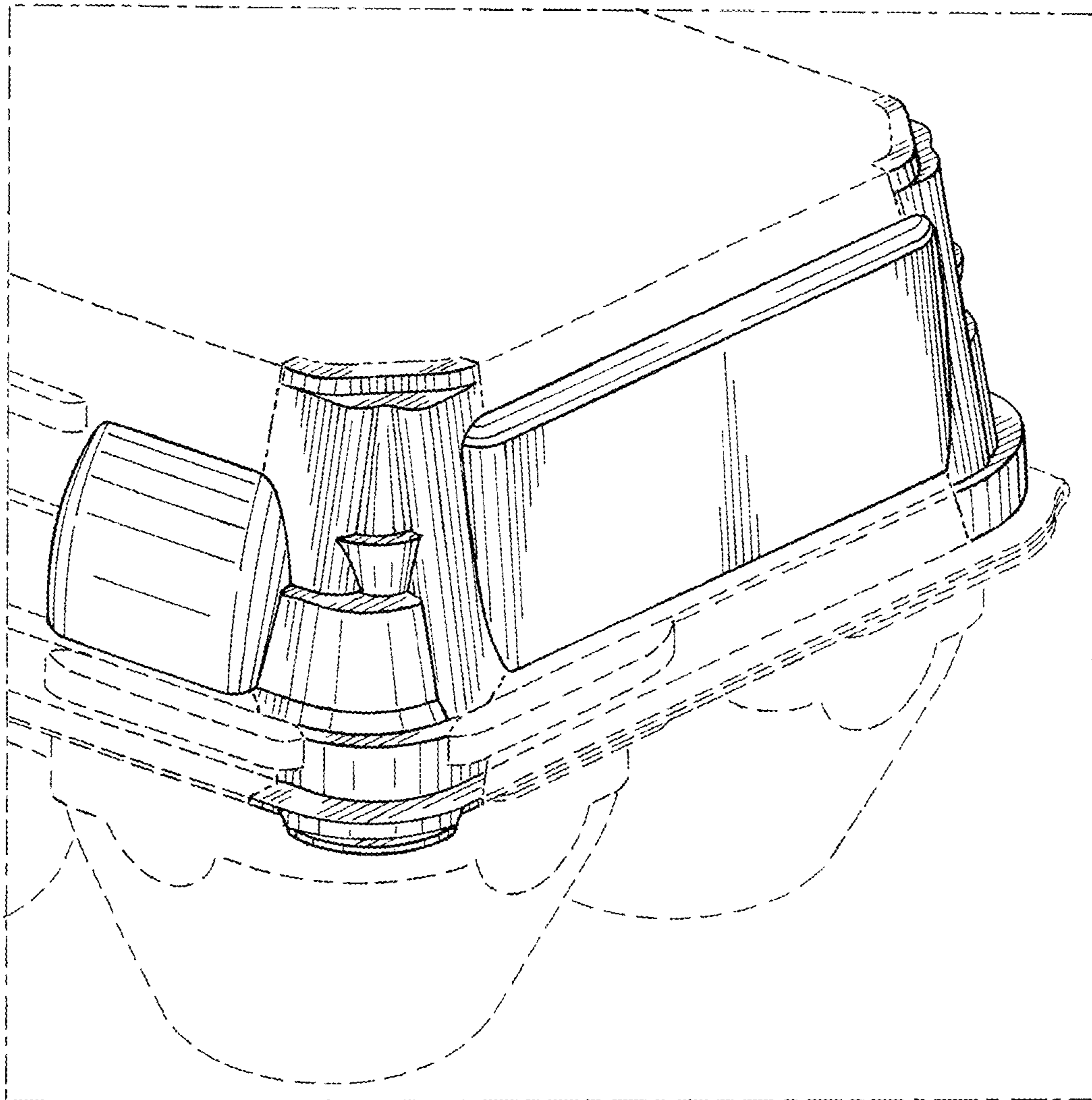


Fig. 6

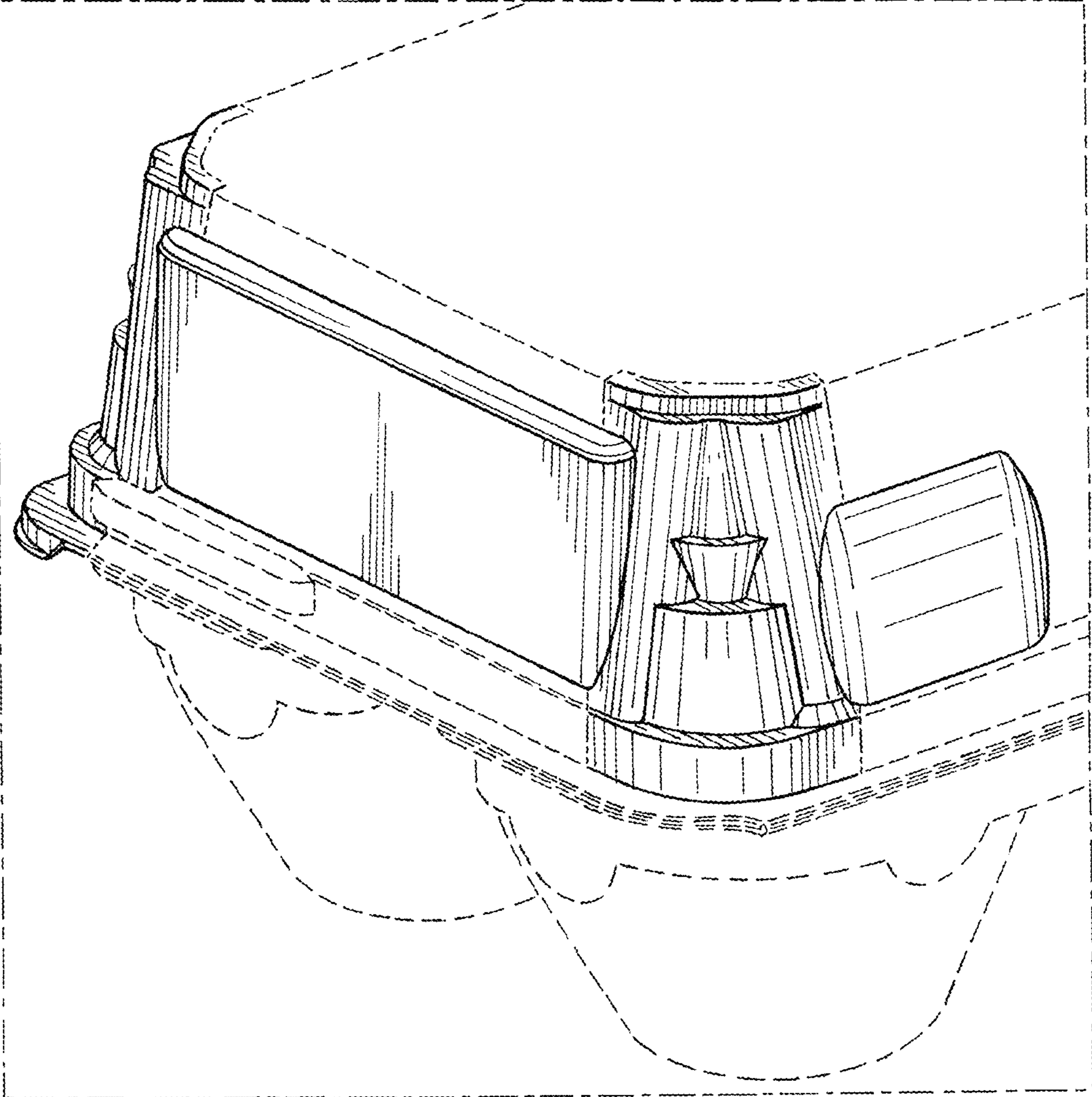


*Fig. 7*



*Fig. 8*





*Fig. 9*