



US00D784125S

(12) **United States Design Patent** (10) **Patent No.:** **US D784,125 S**
Fife et al. (45) **Date of Patent:** **** Apr. 18, 2017**

(54) **CONTAINER**

- (71) Applicant: **Peninsula Packaging, LLC**, Exeter, CA (US)
- (72) Inventors: **Chadrick Paul Fife**, Yakima, WA (US);
John David Perry, Naches, WA (US)
- (73) Assignee: **PENNINSULA PACKAGING, LLC**, Exeter, CA (US)
- (**) Term: **15 Years**
- (21) Appl. No.: **29/553,438**
- (22) Filed: **Feb. 1, 2016**

(56) **References Cited**

U.S. PATENT DOCUMENTS

2,752,970	A *	7/1956	Tupper	B65D 1/42 220/305
3,505,031	A *	4/1970	Perkinson	B01L 3/508 177/262
4,412,630	A *	11/1983	Daenen	B65D 43/0218 220/792
D388,325	S *	12/1997	Tucker	D9/425
D462,880	S *	9/2002	Maxwell	D7/629
D490,278	S *	5/2004	Welsh	D7/629
6,848,591	B2 *	2/2005	Kiel	B65D 77/2024 220/359.1
7,854,339	B2 *	12/2010	Gartz	B65D 1/34 220/4.22

(Continued)

Primary Examiner — Karen S Acker
Assistant Examiner — Wendy Arminio
 (74) *Attorney, Agent, or Firm* — Loza & Loza, LLP;
 Heidi L. Eisenhut

Related U.S. Application Data

- (62) Division of application No. 29/493,015, filed on Jun. 4, 2014, now Pat. No. Des. 759,478.
- (51) **LOC (10) Cl.** **09-03**
- (52) **U.S. Cl.**
USPC **D9/425**
- (58) **Field of Classification Search**
USPC D9/414, 415, 416, 419, 420, 421, 422,
D9/423, 424, 425, 426, 427, 428, 429,
D9/432, 454, 457, 652, 667, 721, 904;
D7/354, 366, 396.1, 602
CPC .. A47J 36/06; A47J 47/14; B65D 1/22; B65D
1/34; B65D 1/40; B65D 1/165; B65D
15/02; B65D 21/083; B65D 21/0233;
B65D 21/0234; B65D 43/162; B65D
71/50; B65D 77/24; B65D 77/245; B65D
81/3869; B65D 2543/00046; B65D
2543/00083; B65D 2543/00092; B65D
2543/00296; B65D 3/06; B65D 3/28;
B65D 5/4204; B65D 7/46; B65D 85/34;
B21D 51/18; B21D 51/2646; A45C 11/16
See application file for complete search history.

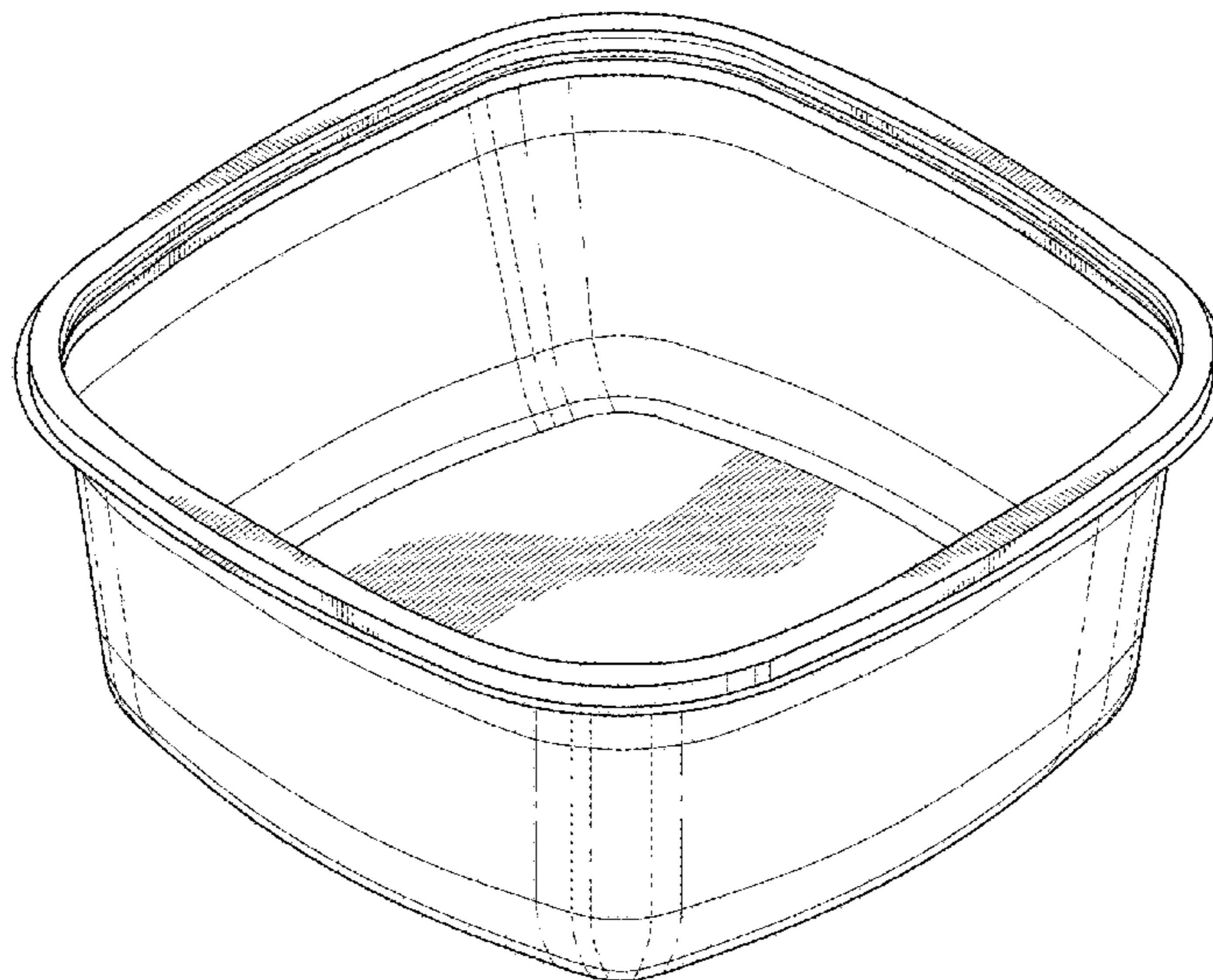
(57) **CLAIM**

The ornamental design for a container, as shown and described.

DESCRIPTION

FIG. 1 is a front, top, and left perspective view of a container of the present invention;
 FIG. 2 is a bottom rear right perspective view of the container of FIG. 1;
 FIG. 3 is a front elevation view of the container of FIG. 1;
 FIG. 4 is a rear elevation view of the container of FIG. 1;
 FIG. 5 is a left side elevation view of the container of FIG. 1;
 FIG. 6 is a right side elevation view of the container of FIG. 1;
 FIG. 7 is a top plan view of the container of FIG. 1; and,
 FIG. 8 is a bottom plan view of the container of FIG. 1.

1 Claim, 6 Drawing Sheets



(56)

References Cited

U.S. PATENT DOCUMENTS

D630,901	S *	1/2011	Samartgis	D7/602
D631,300	S *	1/2011	Samartgis	D7/602
D643,251	S *	8/2011	Stamper	D7/602
8,118,190	B2 *	2/2012	Coonce	B65D 21/0233 206/508
D672,614	S *	12/2012	Stamper	D7/602
D672,616	S *	12/2012	Stamper	D7/602
D678,050	S *	3/2013	Birchmeier	D9/424
D721,866	S *	2/2015	Giarraffa	D1/105
D730,127	S *	5/2015	Maxwell	D7/629
D738,205	S *	9/2015	Astorga	D9/429
2006/0000842	A1 *	1/2006	Maxwell	B65D 43/0208 220/780
2007/0007298	A1 *	1/2007	Tucker	B65D 43/0206 220/791
2008/0197134	A1 *	8/2008	Maxwell	B65D 51/1672 220/367.1
2008/0203096	A1 *	8/2008	Maxwell	B65D 51/1672 220/374
2009/0120937	A1 *	5/2009	Vovan	B65D 43/0206 220/266
2014/0069925	A1 *	3/2014	Hwang	B65D 45/22 220/315
2014/0374472	A1 *	12/2014	Treccani	B31B 43/00 229/407
2015/0021321	A1 *	1/2015	Gosen	B65D 21/0223 220/23.83

* cited by examiner

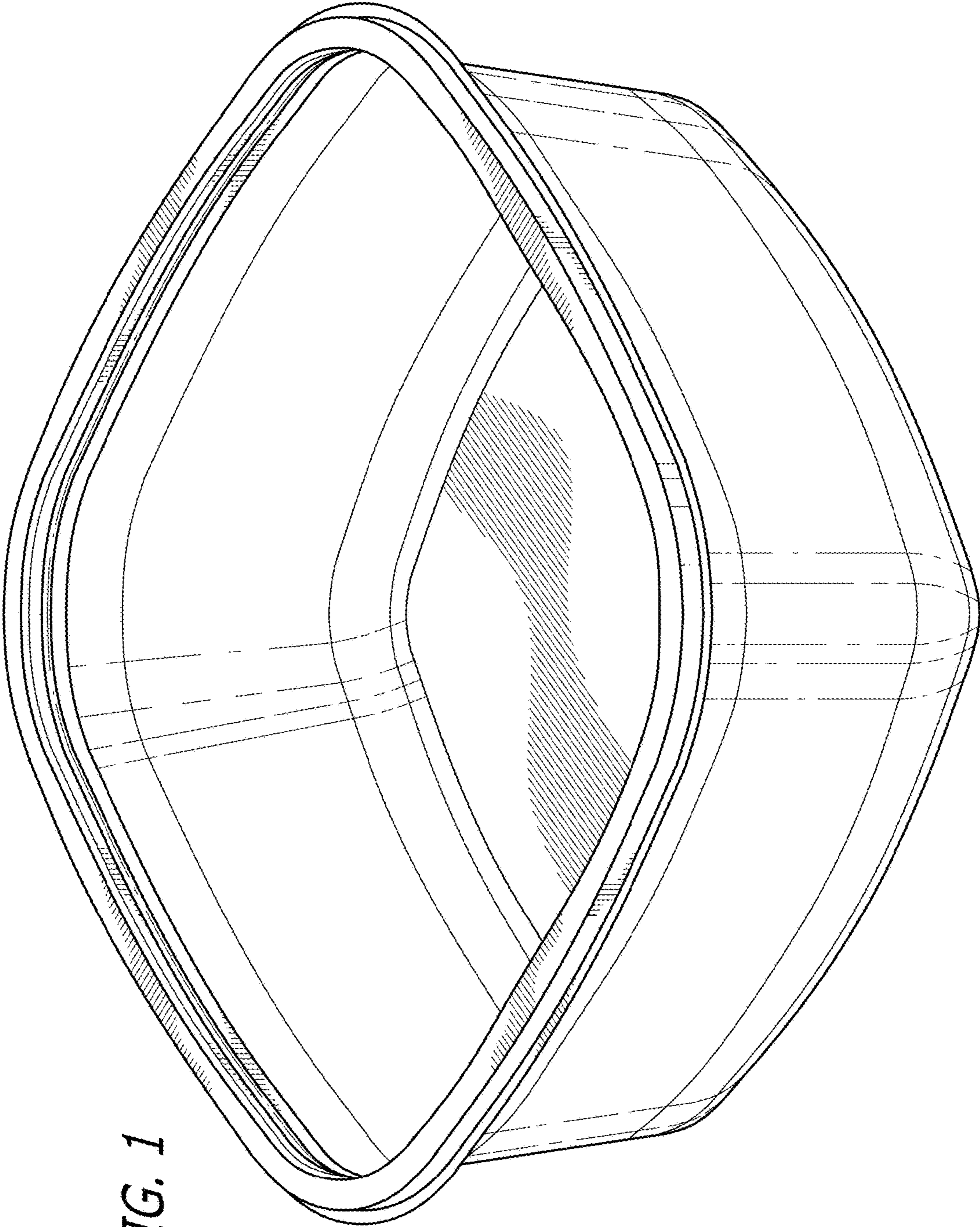


FIG. 1

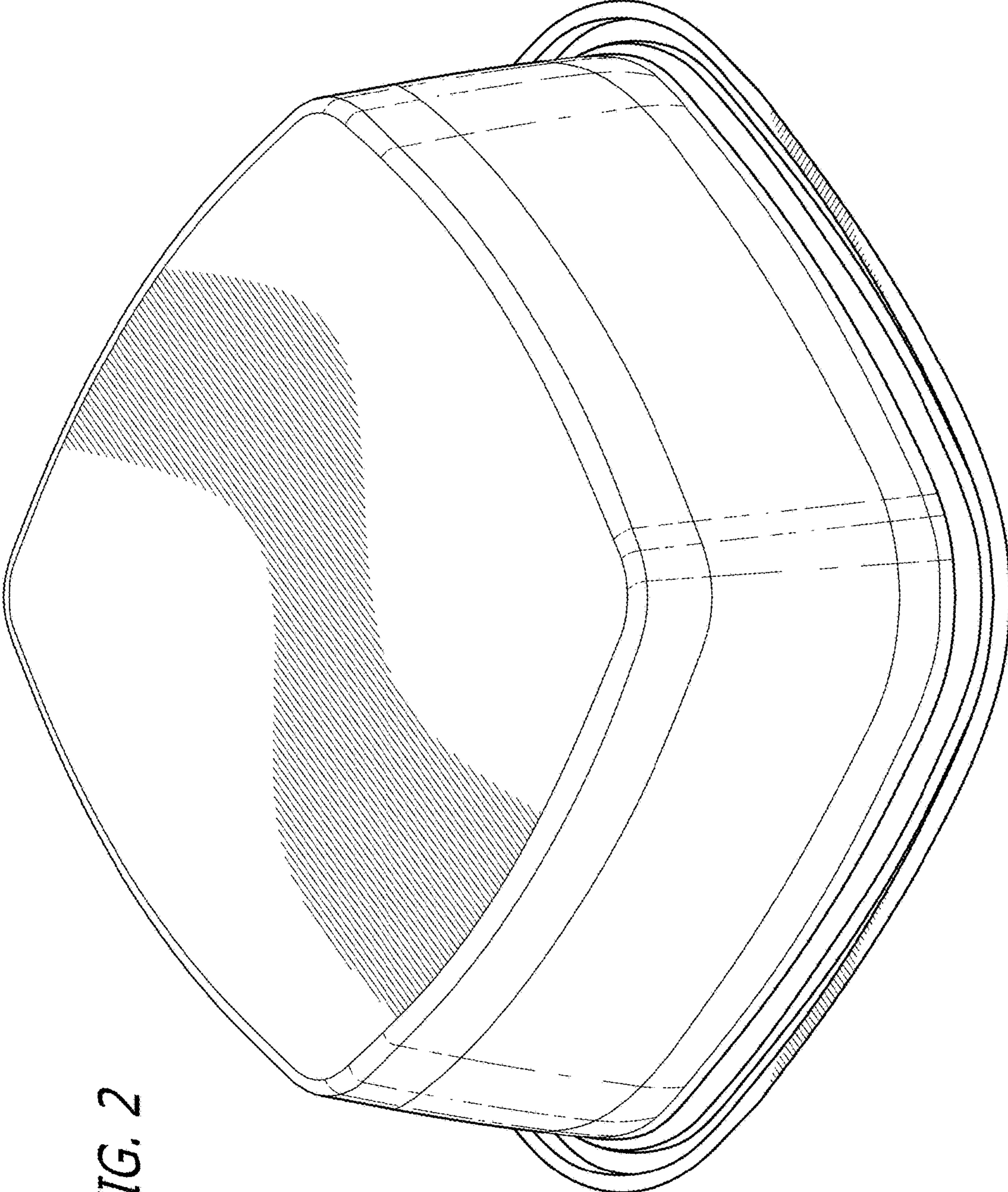


FIG. 2

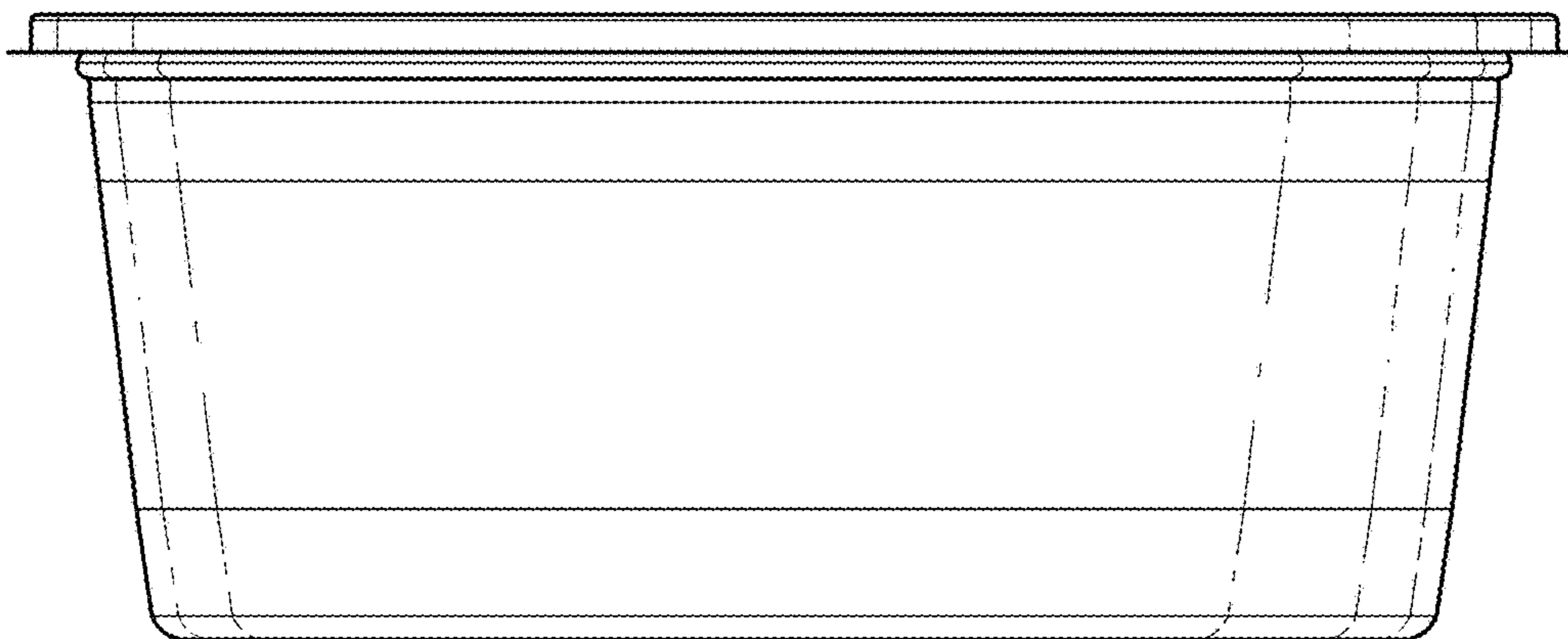


FIG. 3

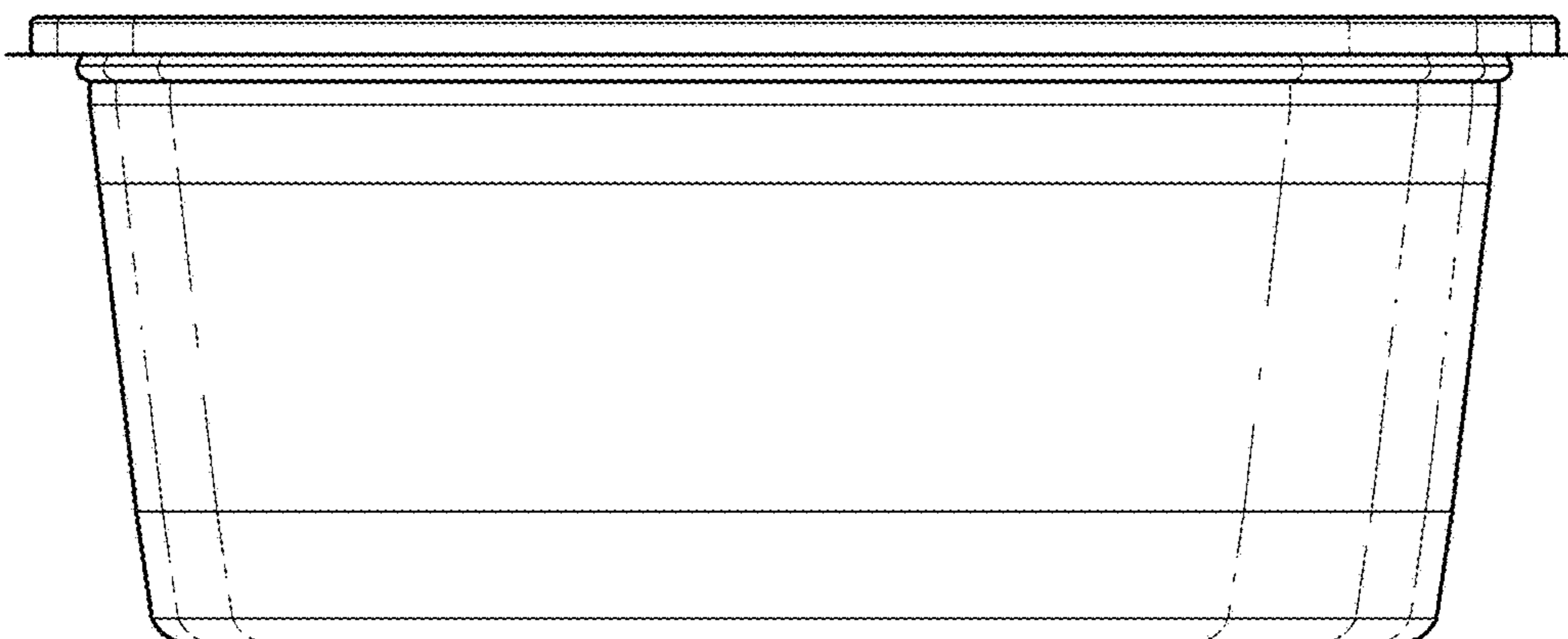


FIG. 4

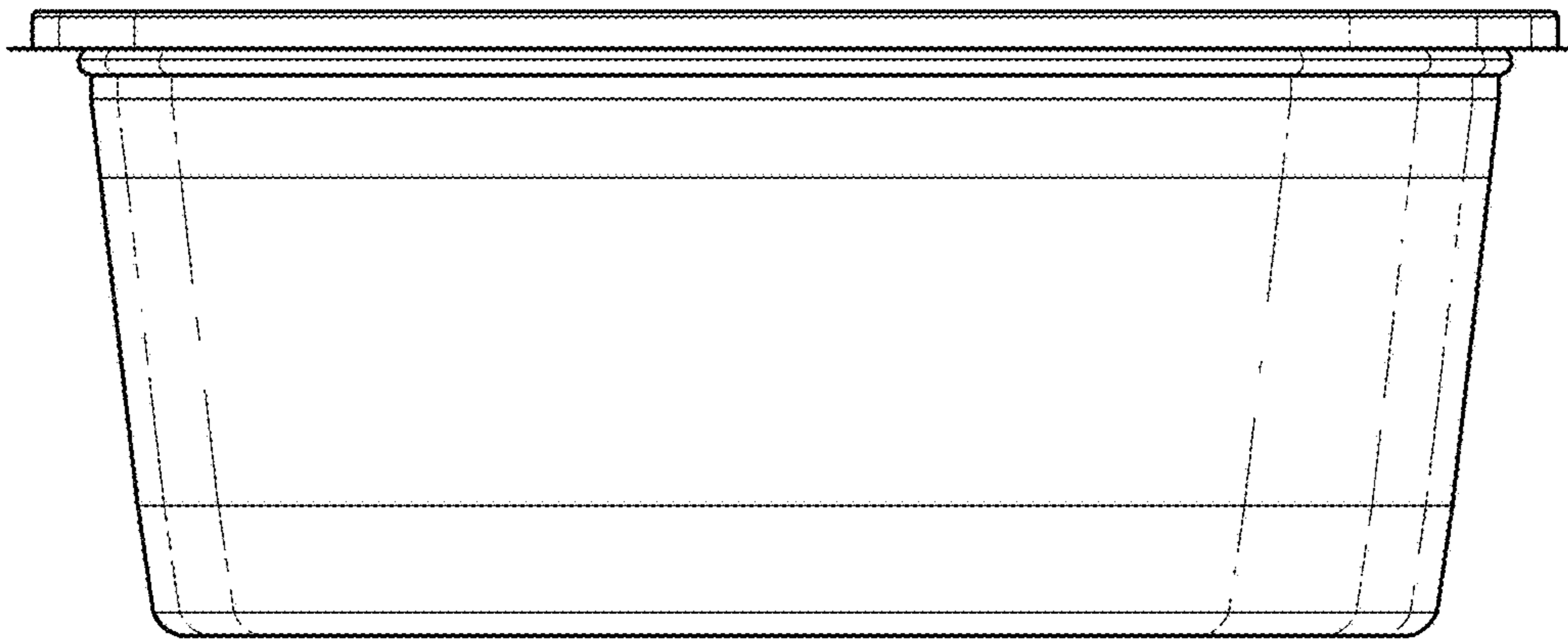


FIG. 5

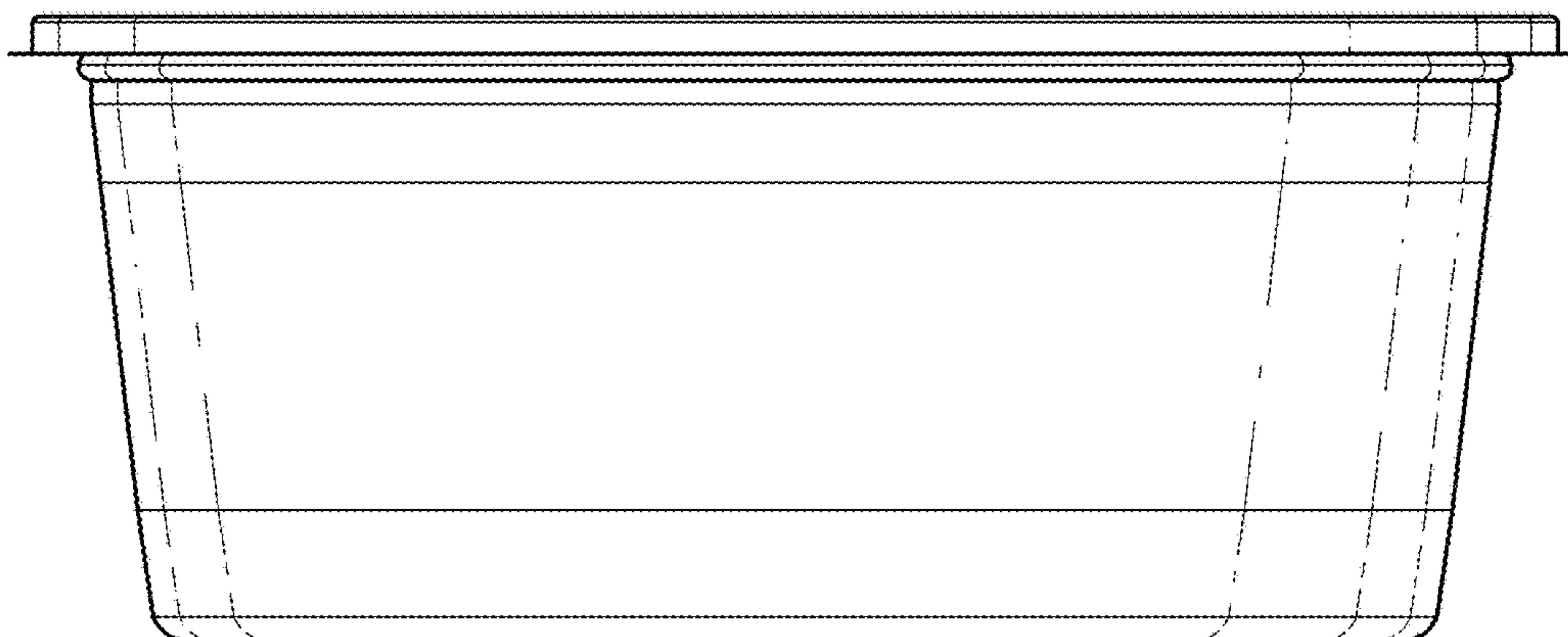


FIG. 6

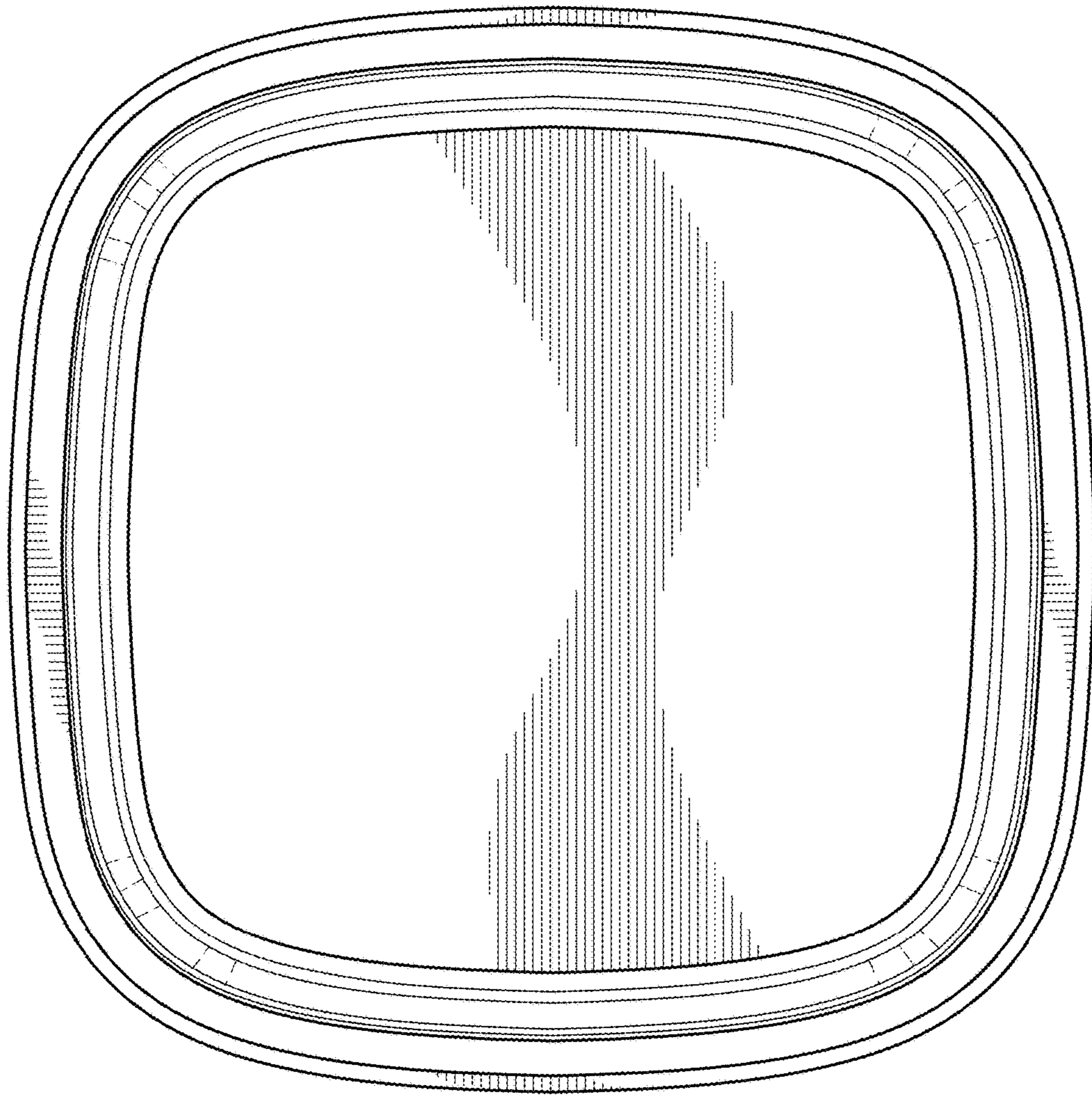


FIG. 7

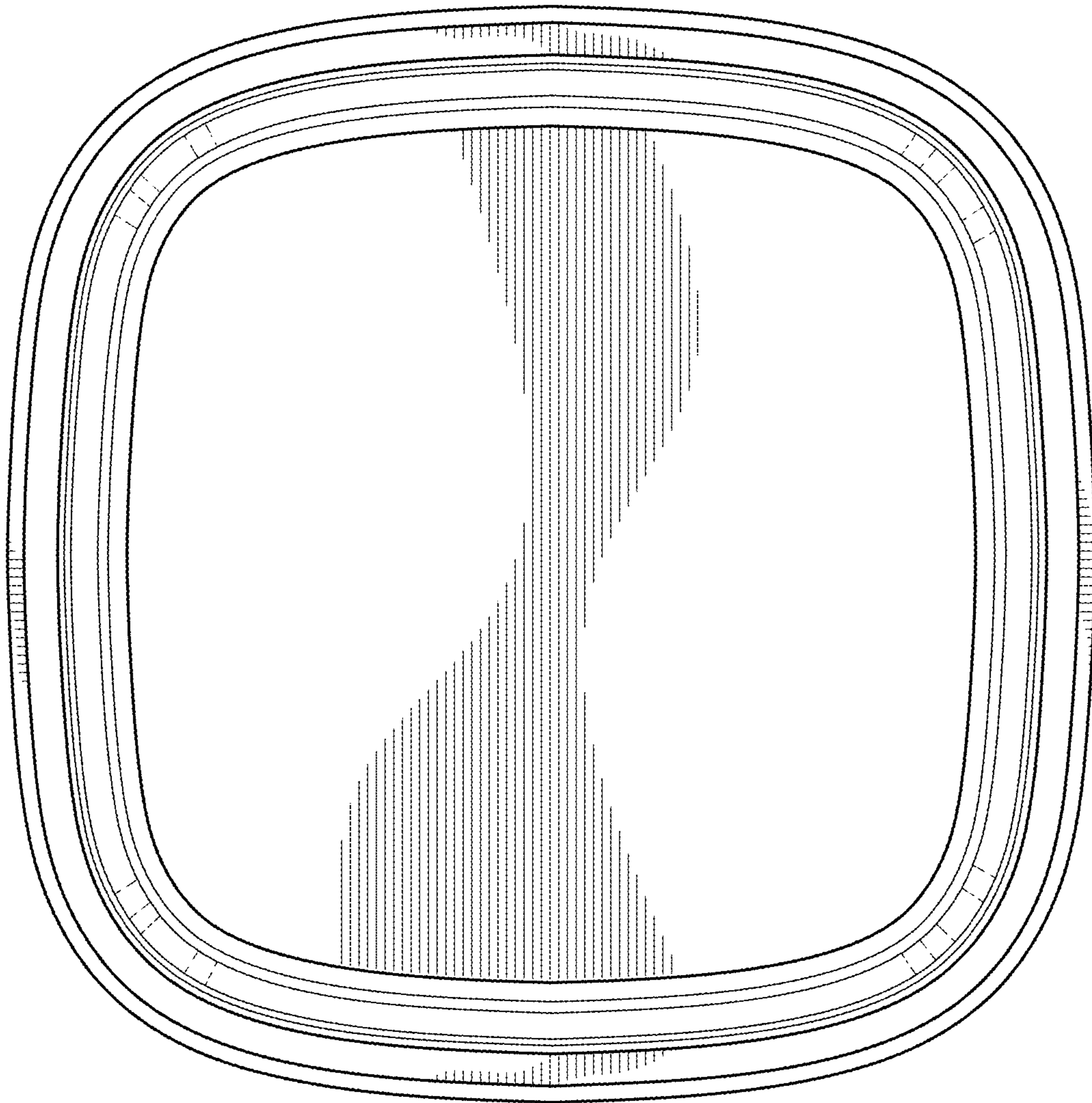


FIG. 8