



US00D784123S

(12) **United States Design Patent**  
**Steffens et al.**

(10) **Patent No.:** **US D784,123 S**  
(45) **Date of Patent:** **\*\* Apr. 18, 2017**

- (54) **HELMET VISOR SCREW** 8,753,227 B1 \* 6/2014 Cackett ..... A63B 53/06  
411/383
- (71) Applicant: **LEATT CORPORATION**, Santa 8,956,095 B2 \* 2/2015 Sato ..... F16B 19/1081  
Clarita, CA (US) 24/458
- (72) Inventors: **Jörn Peter Steffens**, Oldenburg (DE); D735,567 S \* 8/2015 Kishida ..... D8/387  
**Hui Zhang**, Kowloon (HK) D738,199 S \* 9/2015 Daniels ..... D8/387  
2004/0020016 A1 \* 2/2004 Yoneoka ..... F16B 5/0642  
24/297
- (73) Assignee: **LEATT CORPORATION**, Santa 2005/0281634 A1 \* 12/2005 Tibbenham ..... F16B 19/02  
Clarita, CA (US) 411/82
- (\*\*) Term: **14 Years** 2006/0230507 A1 \* 10/2006 Yeh ..... A42B 3/222  
2/410  
2007/0250986 A1 \* 11/2007 Zuber ..... A42B 3/145  
2/171

(Continued)

(21) Appl. No.: **29/510,597**

(22) Filed: **Dec. 1, 2014**

(51) **LOC (10) Cl.** ..... **08-08**

(52) **U.S. Cl.**  
USPC ..... **D8/387**

(58) **Field of Classification Search**  
USPC ..... D8/387, 388, 391, 398, 499; D29/102,  
D29/104, 105, 106, 107, 122  
CPC .... F16B 19/002; F16B 19/00; F16B 23/0007;  
F16B 23/0061; F16B 25/0084; F16B  
35/04; F16B 35/06; A42B 3/221; A42B  
3/222; A42B 3/22  
See application file for complete search history.

(56) **References Cited**

**U.S. PATENT DOCUMENTS**

- 3,269,250 A \* 8/1966 Curtiss ..... F16B 23/0023  
411/410
- 6,769,849 B2 \* 8/2004 Yoneoka ..... F16B 5/0642  
411/41
- 7,156,598 B2 \* 1/2007 Tibbenham ..... F16B 19/02  
16/430
- D562,674 S \* 2/2008 Shinjo ..... D8/387
- D567,073 S \* 4/2008 Soracco ..... D8/387
- 8,122,572 B2 \* 2/2012 Waddell ..... B63B 17/02  
114/361

**FOREIGN PATENT DOCUMENTS**

- EP 2549128 B1 \* 5/2014 ..... F16B 37/068
- WO WO 2012160176 A1 \* 11/2012 ..... G02B 27/017
- WO WO 2014193627 A1 \* 12/2014 ..... A42B 3/221

*Primary Examiner* — Sandra Snapp

*Assistant Examiner* — Ieisha Price

(74) *Attorney, Agent, or Firm* — Pillsbury Winthrop Shaw  
Pittman LLP

(57) **CLAIM**

The ornamental design for a helmet visor screw, as shown  
and described.

**DESCRIPTION**

FIG. 1 is a perspective view of a helmet visor screw showing  
our new design;

FIG. 2 is a top plan view thereof;

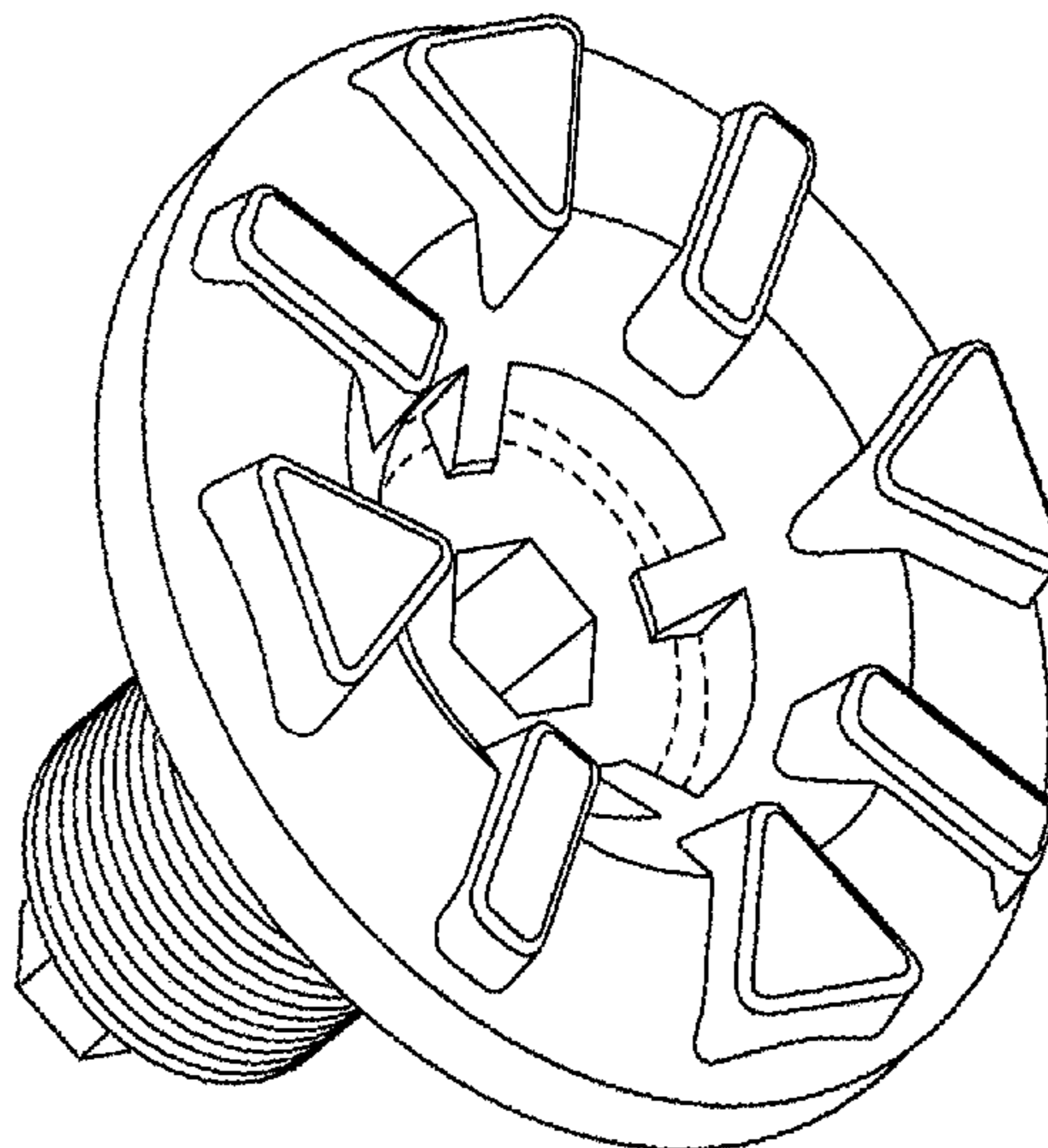
FIG. 3 is a side elevation view thereof;

FIG. 4 is a bottom view thereof; and,

FIG. 5 is a sectional side elevation view thereof, taken at line  
5-5 of FIG. 2.

The broken lines in the drawings illustrate portions of the  
helmet visor screw and form no part of the claimed design.

**1 Claim, 3 Drawing Sheets**



(56)

**References Cited**

U.S. PATENT DOCUMENTS

2012/0192329 A1\* 8/2012 Lebel ..... A42B 3/221  
2/2.5  
2012/0312130 A1\* 12/2012 Bauer ..... B25B 13/065  
81/461  
2013/0022782 A1\* 1/2013 Babej ..... F16B 37/068  
428/131  
2013/0145585 A1\* 6/2013 Watanabe ..... F16B 19/1081  
24/595.1  
2013/0336740 A1\* 12/2013 Druke ..... F16B 19/00  
411/82  
2014/0243110 A1\* 8/2014 Cackett ..... A63B 53/06  
473/335  
2015/0250252 A1\* 9/2015 Wako ..... A42B 3/221  
2/425

\* cited by examiner

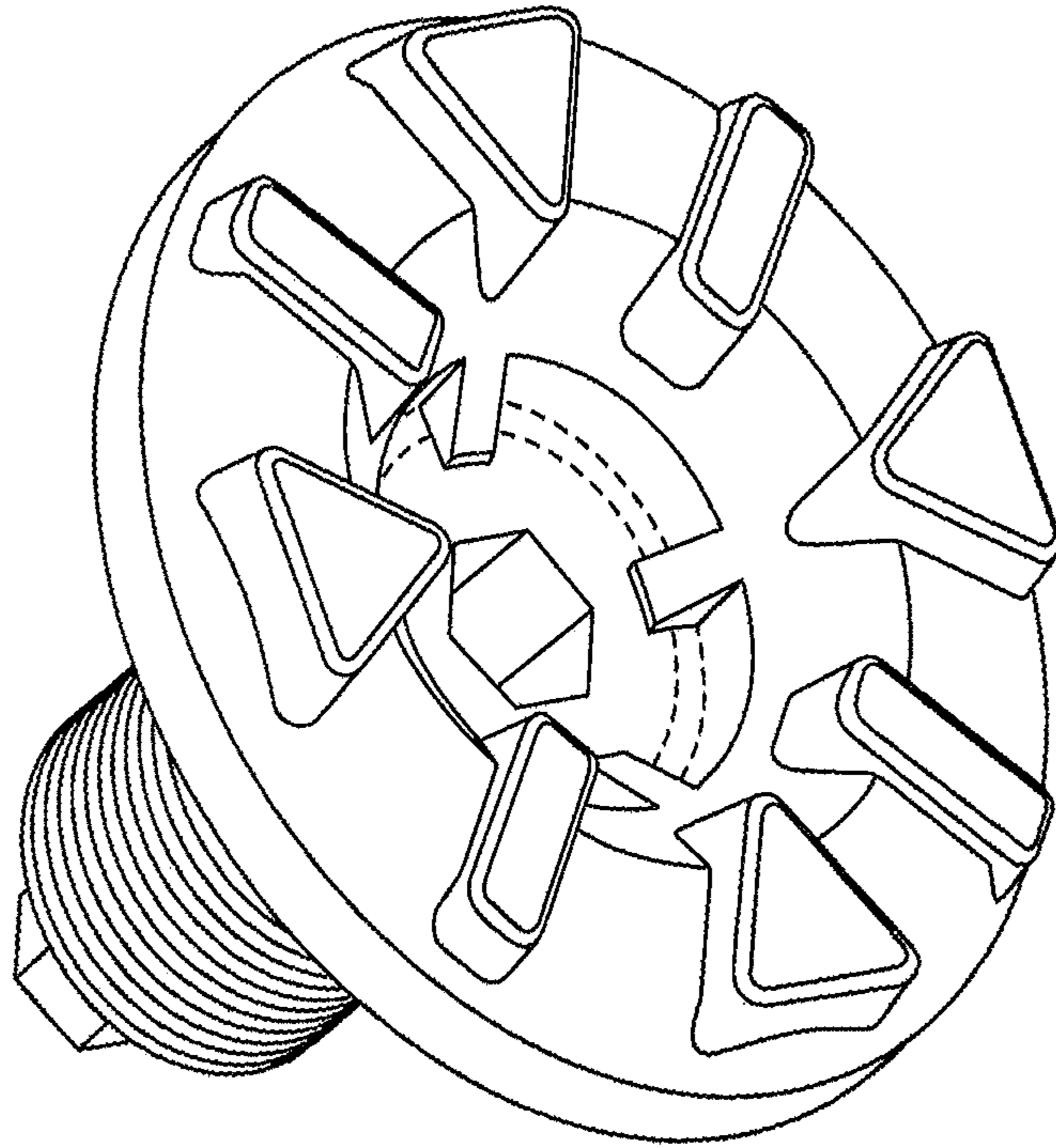


FIG. 1

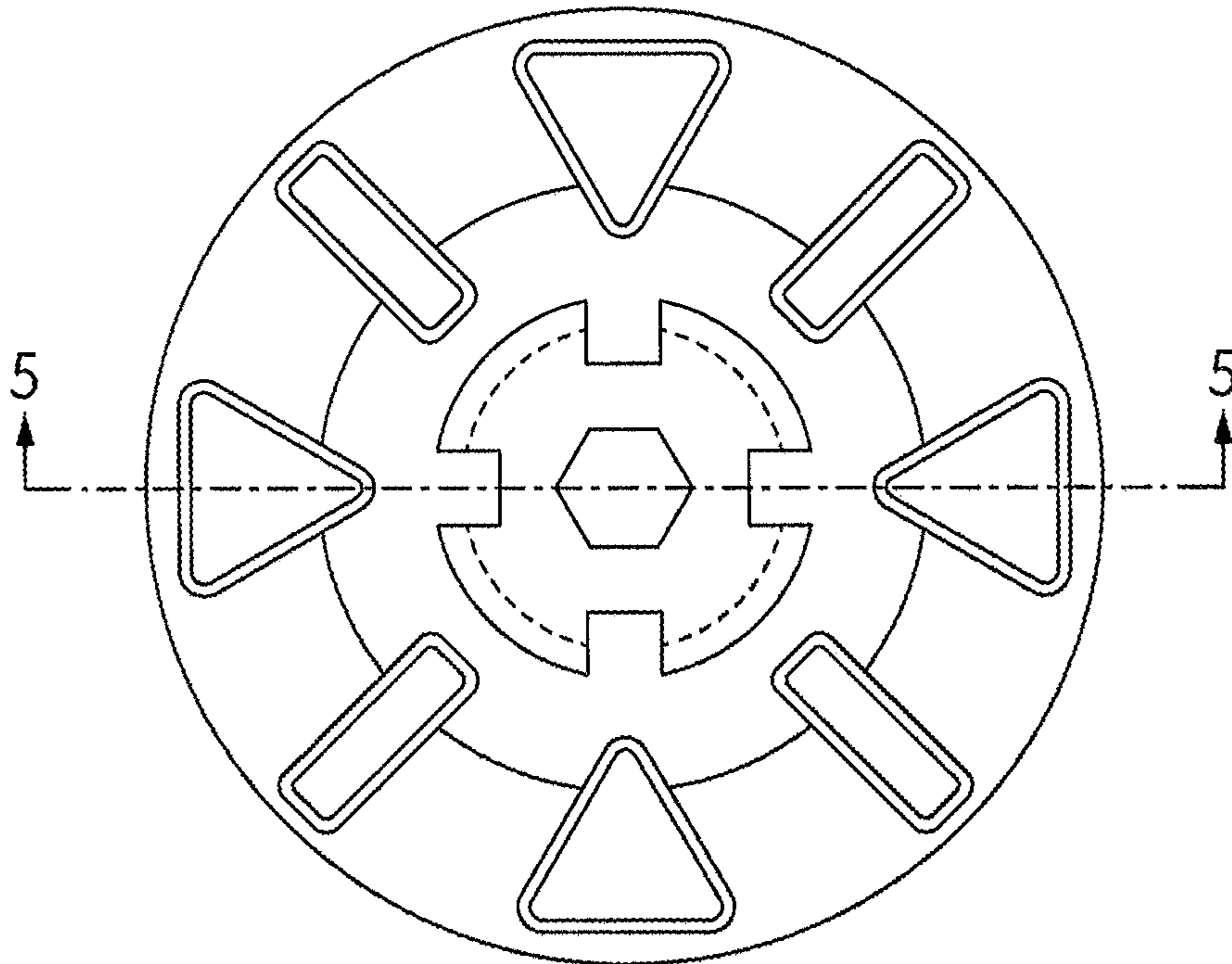


FIG. 2

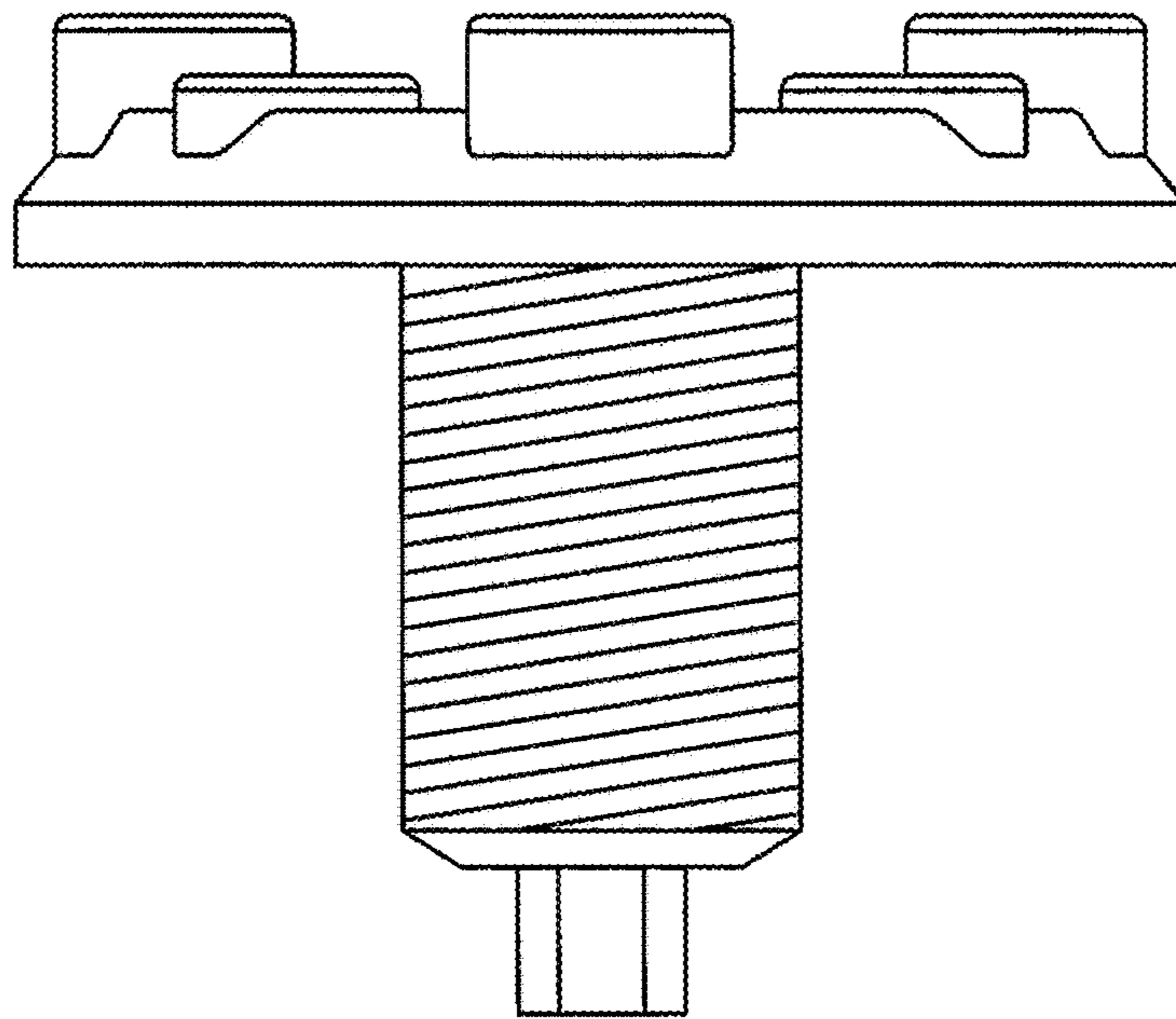


FIG. 3

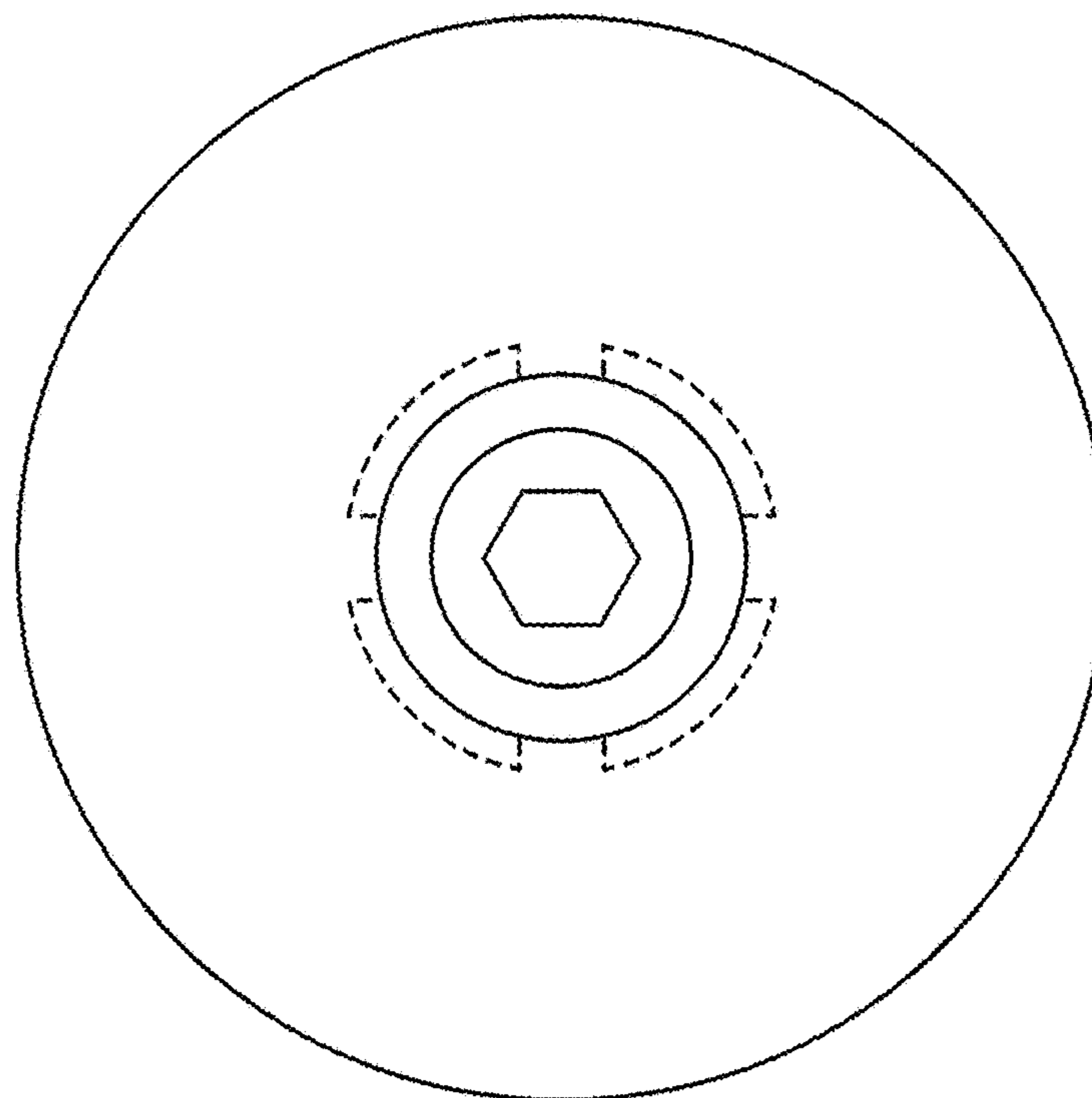


FIG. 4

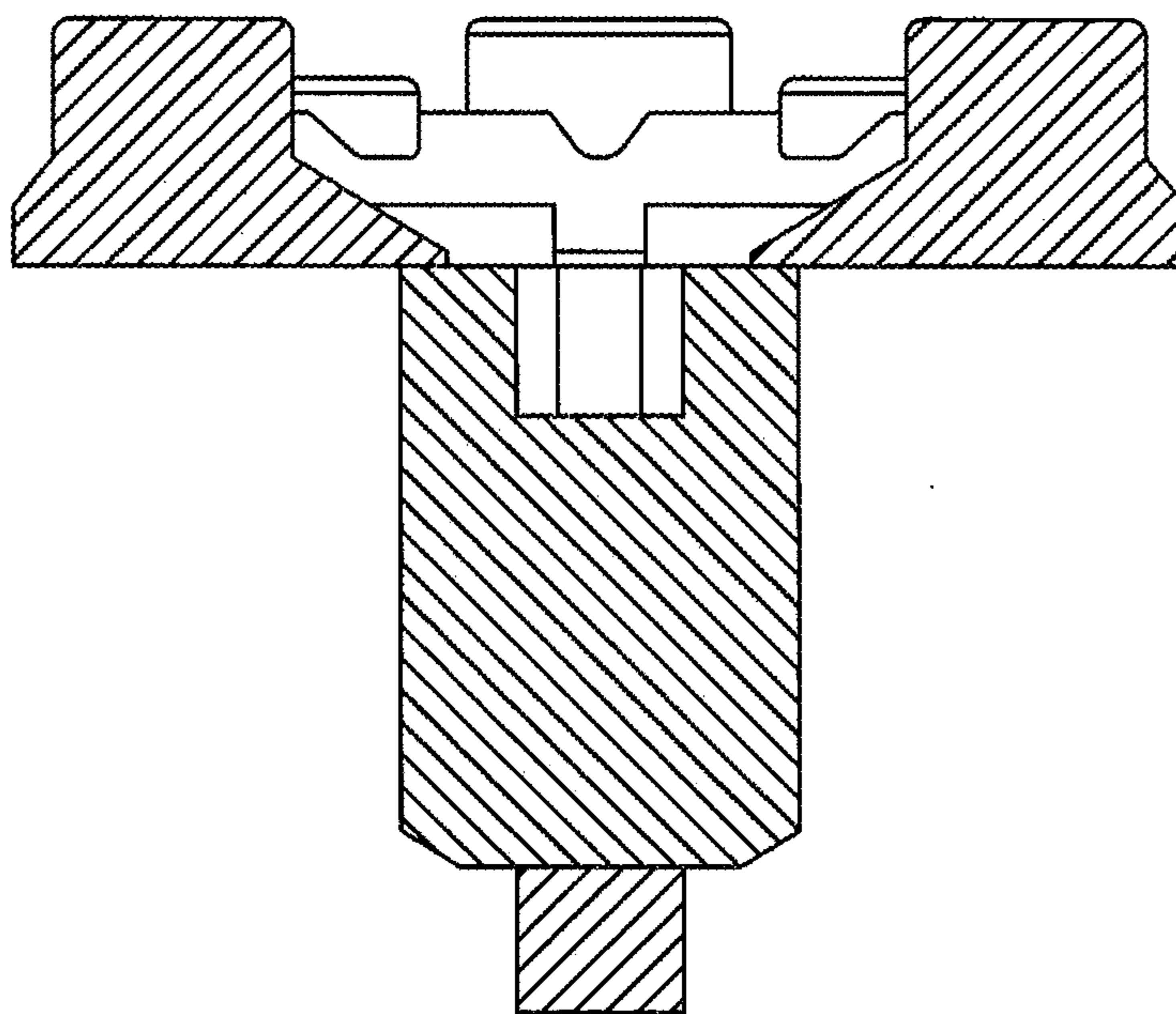


FIG. 5