



US00D784122S

(12) **United States Design Patent** (10) **Patent No.:** **US D784,122 S**  
**Grangruth et al.** (45) **Date of Patent:** **\*\* Apr. 18, 2017**

- (54) **SWIVEL CONNECTOR** D132,953 S \* 7/1942 Hillenbrand ..... D8/382  
2,400,658 A \* 5/1946 Shepherd ..... F16L 27/093  
285/190
- (71) Applicant: **LeRoy's Legacy, LLC**, Hibbing, MN (US) D149,793 S \* 6/1948 Burst ..... D6/406.2  
2,492,526 A 12/1949 Geibig  
2,986,624 A 5/1951 Marta  
2,670,789 A \* 3/1954 Dieterich ..... F23D 14/465  
239/428
- (72) Inventors: **Gary Grangruth**, Hibbing, MN (US);  
**Donna Comfort**, Santa Monica, CA (US);  
**Leona Shirilla**, Hibbing, MN (US);  
**Kevin Grangruth**, Quincy, IL (US);  
**Connie Lindberg**, Ely, MN (US);  
**Josh Grangruth**, Deland, FL (US) 4,283,043 A 8/1981 Kalian  
4,443,683 A 4/1984 Watts  
D280,727 S \* 9/1985 Rumbarger, Jr. .... D15/7  
D291,089 S \* 7/1987 Ise ..... D15/199  
5,803,360 A \* 9/1998 Spitznagel ..... B05B 7/2402  
239/345
- (73) Assignee: **Leroy's Legacy, LLC**, Hibbing, MN (US) 6,095,801 A 8/2000 Spiewak  
D587,087 S \* 2/2009 Takeda ..... D8/72

(Continued)

(\*\*) Term: **15 Years**

(21) Appl. No.: **29/544,851**

(22) Filed: **Nov. 6, 2015**

(51) **LOC (10) Cl.** ..... **08-08**

(52) **U.S. Cl.**  
USPC ..... **D8/382**

(58) **Field of Classification Search**  
USPC .... D8/382, 14, 71, 106, 349, 394, 396, 397;  
D15/144, 144.1, 144.2, 199  
CPC ..... F23D 14/42; F23D 14/465; F23D 14/58;  
F16L 27/093; F16L 41/005; Y10T  
137/9029; B23K 3/00; B23K 3/025;  
B23K 3/0361; B23K 3/0369; B23K 5/24;  
B23K 7/10  
See application file for complete search history.

(56) **References Cited**

U.S. PATENT DOCUMENTS

- 1,235,902 A \* 8/1917 Kearny ..... F23D 14/42  
239/419
- 1,800,617 A \* 4/1931 Forster ..... F23D 14/52  
431/244
- 2,188,069 A \* 1/1940 Walsh ..... F23D 14/42  
116/303

*Primary Examiner* — Sandra Snapp

*Assistant Examiner* — Ieisha Price

(74) *Attorney, Agent, or Firm* — Barnes & Thornburg  
LLP; Jeffrey R. Stone

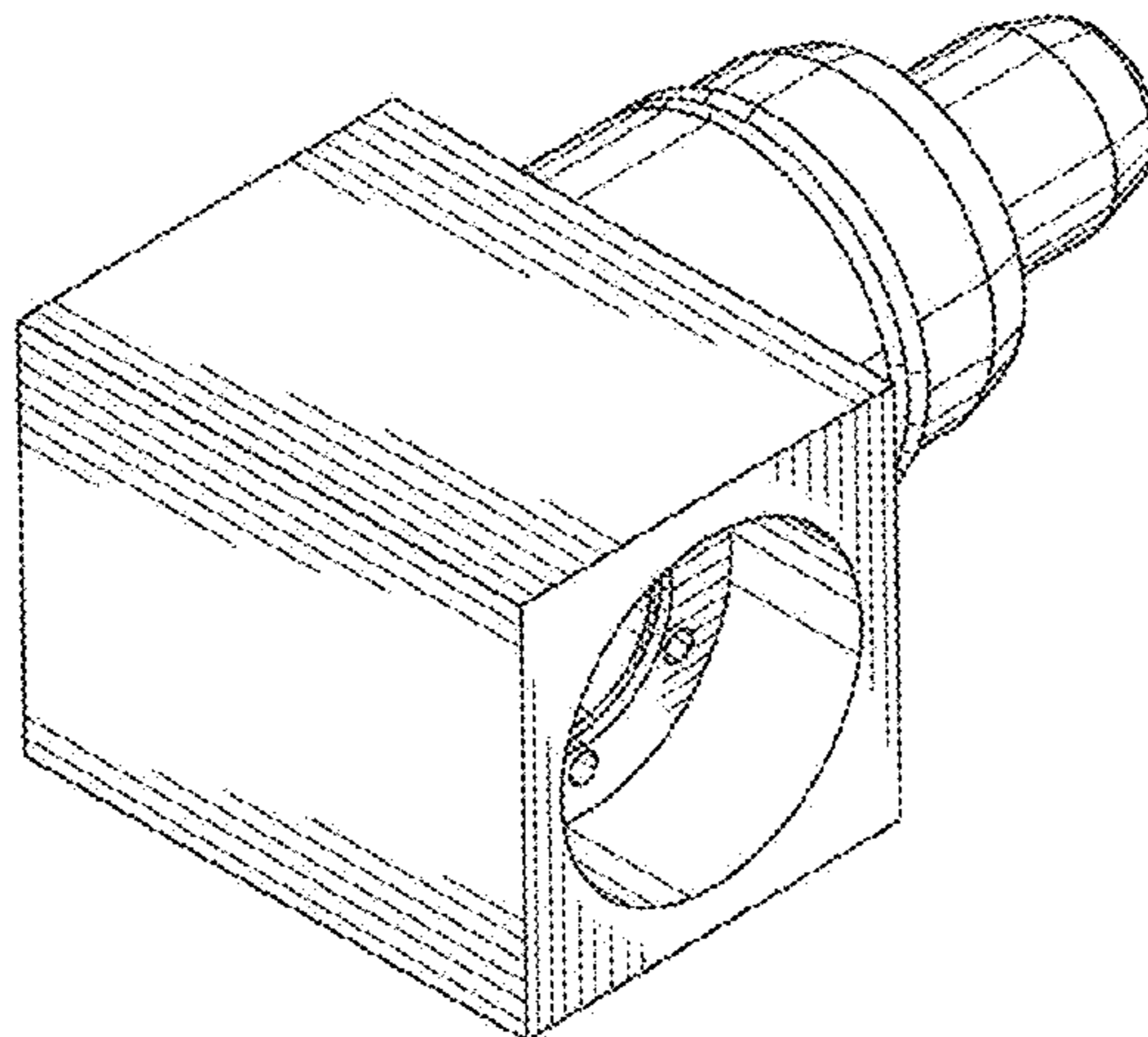
(57) **CLAIM**

The ornamental design for a swivel connector, as shown and described.

**DESCRIPTION**

FIG. 1 is an environmental perspective view of a swivel connector;  
FIG. 2 is another perspective view thereof;  
FIG. 3 is a top view of FIG. 2;  
FIG. 4 is a back view of FIG. 2;  
FIG. 5 is a bottom view of FIG. 2;  
FIG. 6 is a front view of FIG. 2;  
FIG. 7 is a left-side view of FIG. 2; and,  
FIG. 8 is a right-side view of FIG. 2.  
The broken lines shown in FIGS. 4 and 8 illustrate portions of the swivel connector and form no part of the claimed design.

**1 Claim, 4 Drawing Sheets**



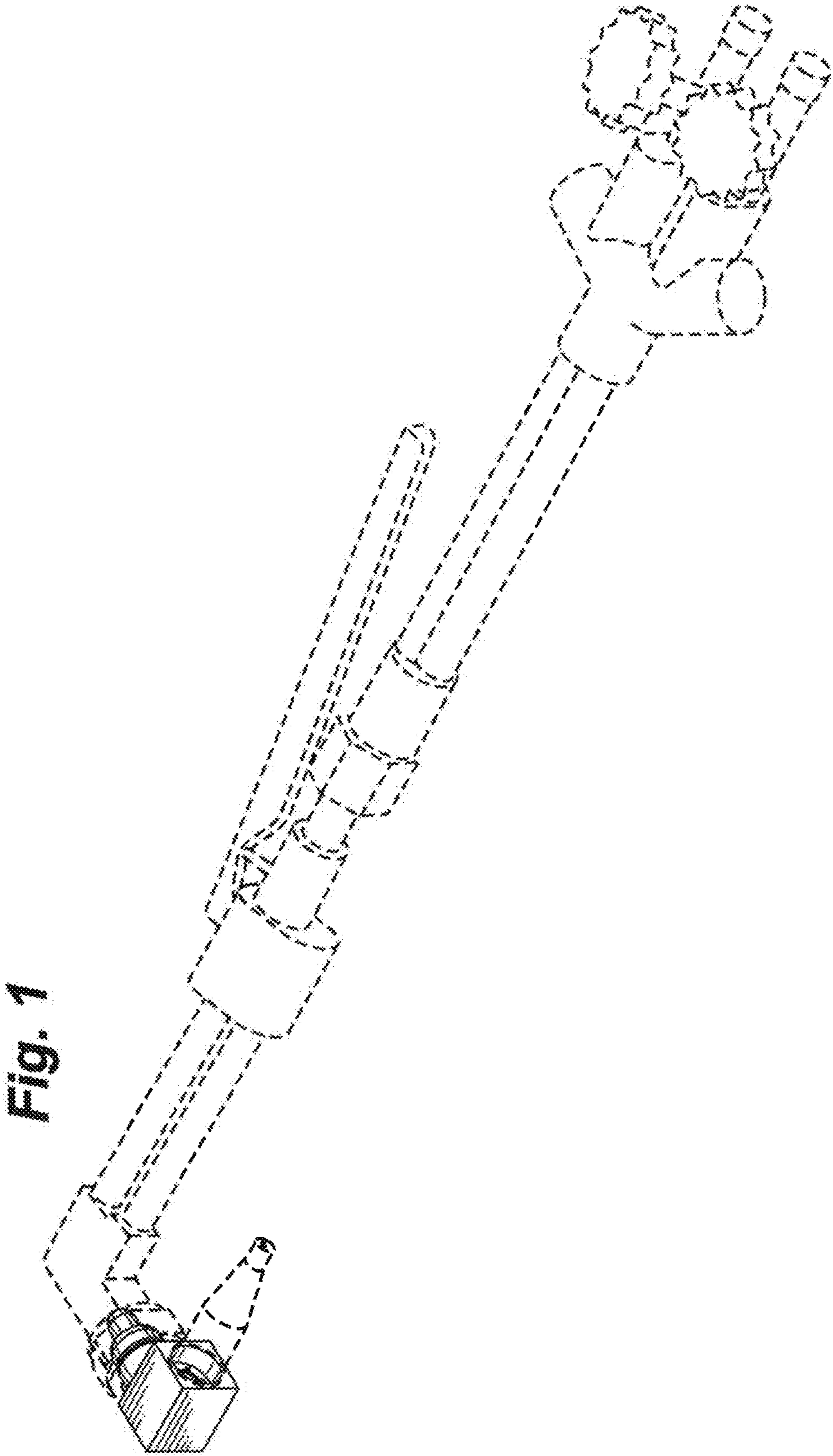
(56)

**References Cited**

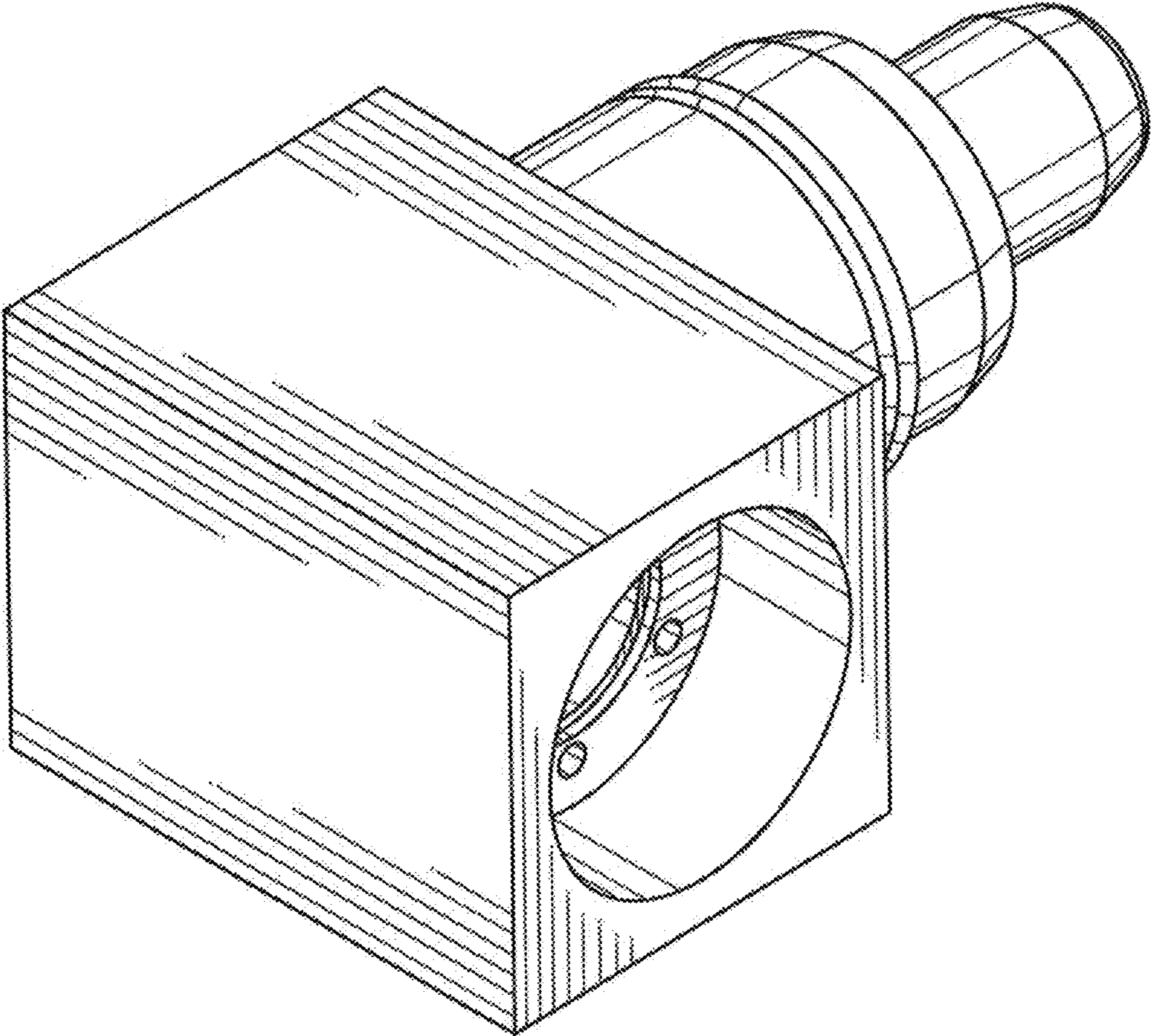
U.S. PATENT DOCUMENTS

7,611,662 B1 \* 11/2009 Grangruth ..... F23D 14/42  
266/48  
2004/0202505 A1 \* 10/2004 Pagliai ..... F16L 27/093  
403/78  
2006/0157664 A1 \* 7/2006 Huff ..... F16K 5/0214  
251/310

\* cited by examiner

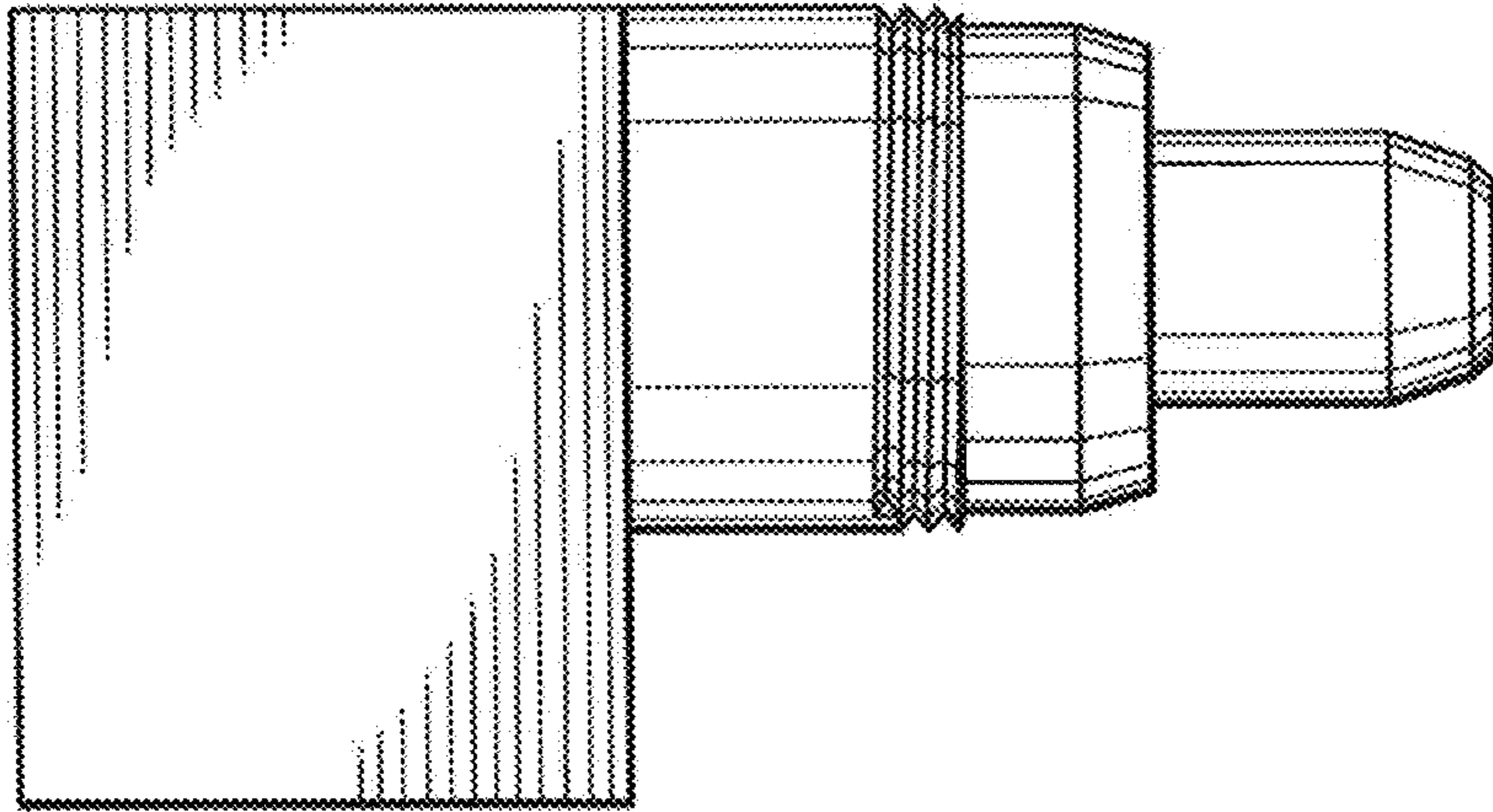


**Fig. 2**

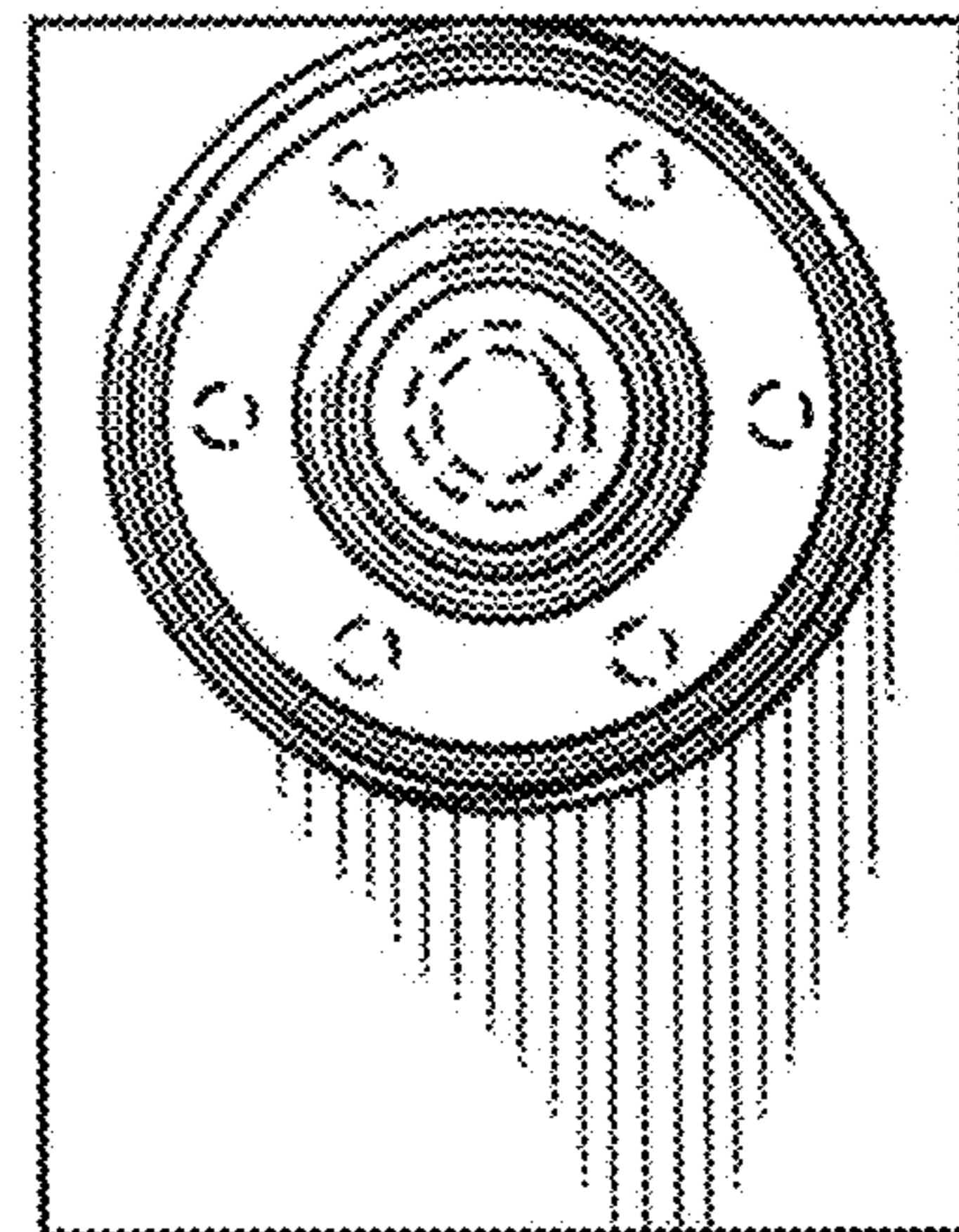




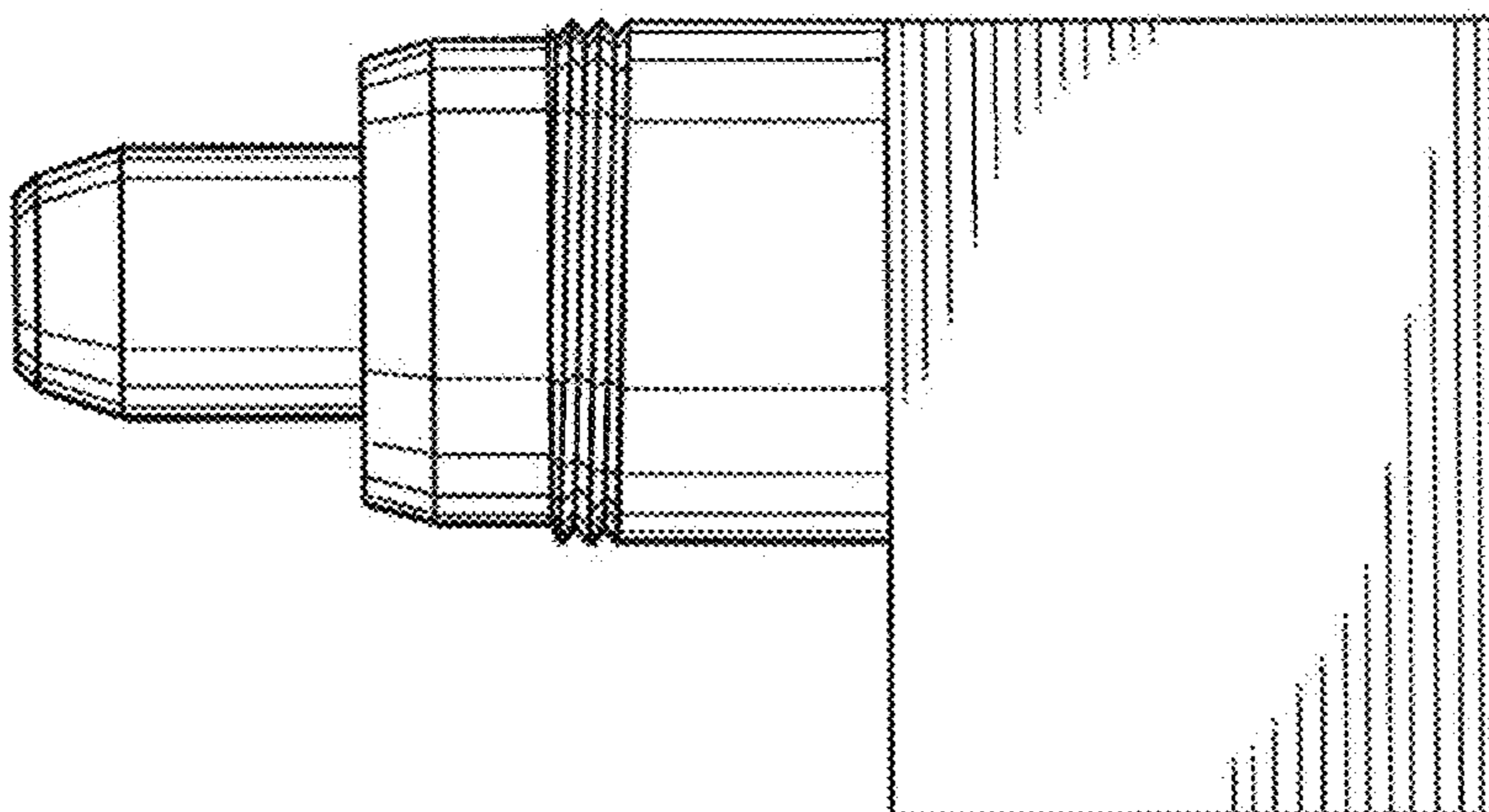
**Fig. 3**



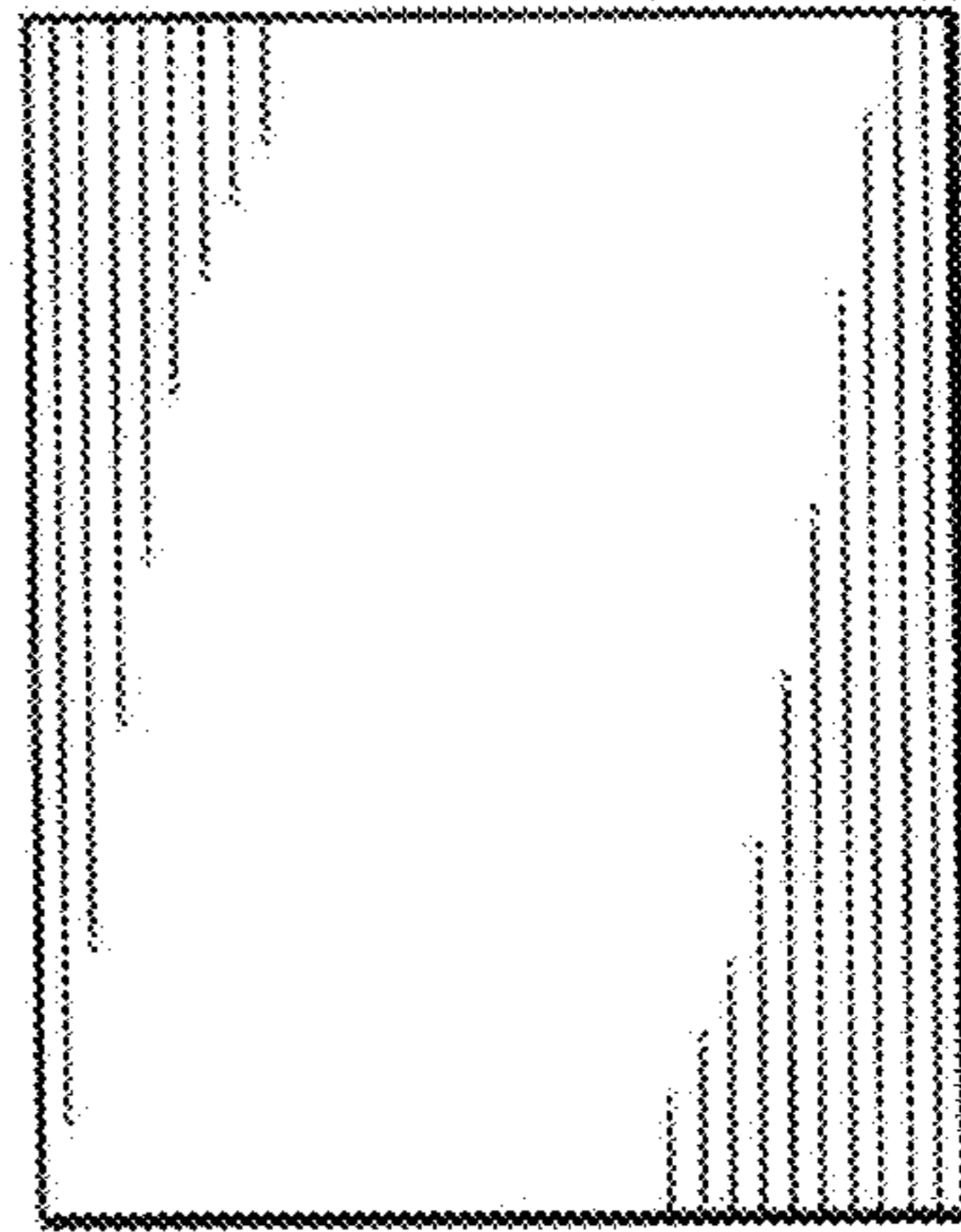
**Fig. 4**



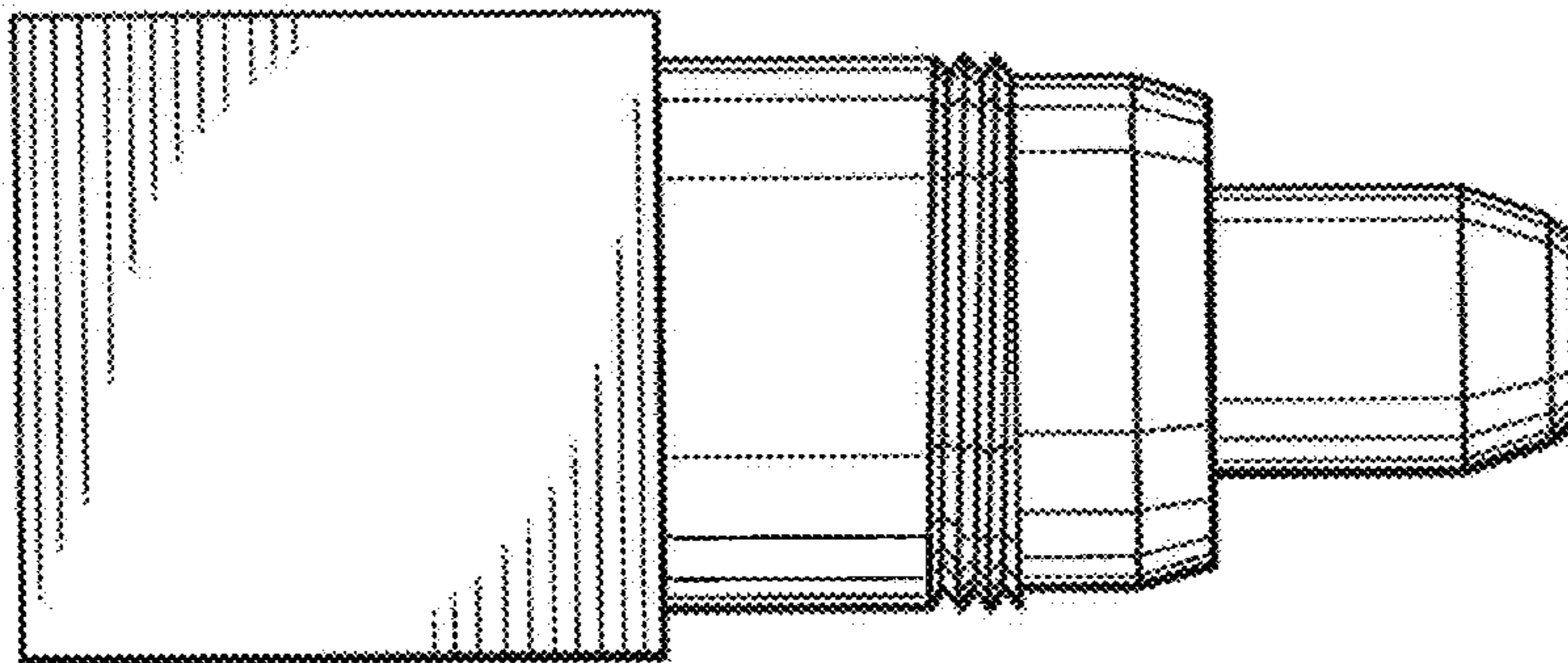
**Fig. 5**



**Fig. 6**



**Fig. 7**



**Fig. 8**

