



US00D784120S

(12) **United States Design Patent**
Abdi et al.

(10) **Patent No.:** **US D784,120 S**
(45) **Date of Patent:** **** Apr. 18, 2017**

- (54) **BED RISER**
- (71) Applicant: **Merrick Engineering, Inc.**, Corona, CA (US)
- (72) Inventors: **Abraham Abdi**, Newport Coast, CA (US); **Lau Wai Leung**, Fo Tan (HK)
- (73) Assignee: **Merrick Engineering, Inc.**, Corona, CA (US)
- (**) Term: **14 Years**
- (21) Appl. No.: **29/513,779**
- (22) Filed: **Jan. 5, 2015**
- (51) **LOC (10) Cl.** **08-05**
- (52) **U.S. Cl.**
USPC **D8/374**
- (58) **Field of Classification Search**
USPC D8/383, 374, 300, 303, 313, 314, 394, D8/395, 396
CPC A47C 19/024; A47C 21/00; A47C 19/045; Y10T 408/858
See application file for complete search history.

6,345,474 B1 2/2002 Triplett
 6,446,403 B2 9/2002 Hoffman et al.
 D487,695 S 3/2004 Sittig
 D493,095 S 7/2004 Sittig
 (Continued)

FOREIGN PATENT DOCUMENTS

DE 659514 4/1938

OTHER PUBLICATIONS

Whitmor Bed Risers posted on Amazon.com by Whitmore on Dec. 4, 2011 found on Apr. 18, 2016 on http://www.amazon.com/Whitmor-6511-3349-BLK-Risers-Count-Black/product-reviews/B004AGP0U0/ref=undefined_13?ie=UTF8&showViewpoints=1&sortBy=recent&pageNumber=13.*

(Continued)

Primary Examiner — Robert M Spear
Assistant Examiner — Eliza Bennett-Hattan
 (74) *Attorney, Agent, or Firm* — Knobbe, Martens, Olson & Bear, LLP

(57) **CLAIM**

The ornamental design for a bed riser, as shown and described.

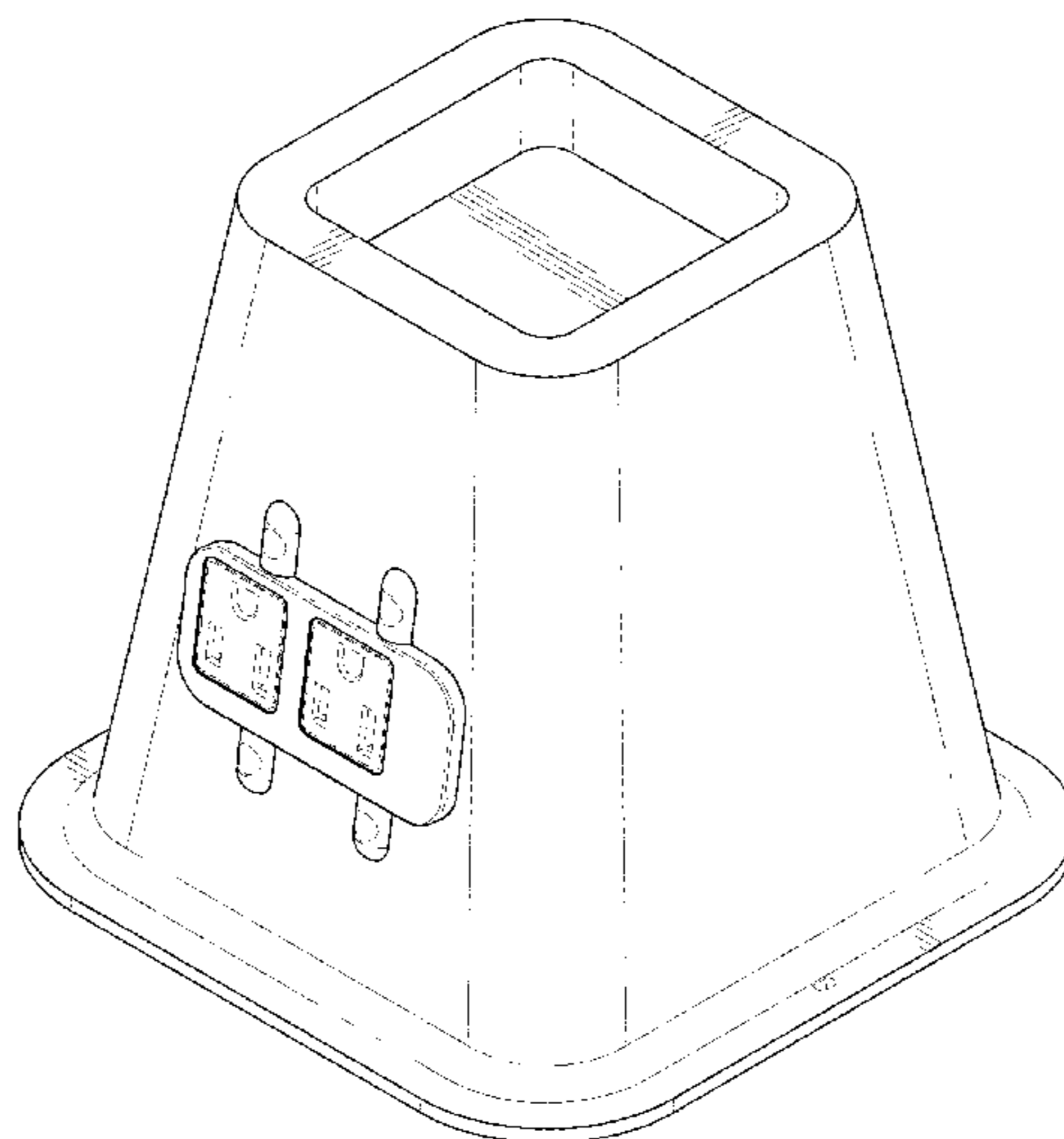
DESCRIPTION

FIG. 1 is a top-front perspective view of the design for a bed riser;
 FIG. 2 is a top-rear perspective view thereof;
 FIG. 3 is a front view thereof;
 FIG. 4 is a rear view thereof;
 FIG. 5 is a right-side view thereof;
 FIG. 6 is a left-side view thereof;
 FIG. 7 is a top view thereof; and,
 FIG. 8 is a bottom view thereof.
 The broken line portions in the drawings are shown to illustrate environment only and form no part of the claimed design.

1 Claim, 8 Drawing Sheets

(56) **References Cited**
U.S. PATENT DOCUMENTS

| | | | |
|--------------|---------|-------------------|--------|
| 254,489 A | 3/1882 | Marks | |
| D44,952 S * | 12/1913 | Buser | D8/374 |
| 1,912,728 A | 6/1933 | Roe | |
| 3,028,703 A | 4/1962 | Matter | |
| 3,138,893 A | 6/1964 | Rupar | |
| 3,339,920 A | 9/1967 | Moritz | |
| 3,795,925 A | 3/1974 | Leagus, Jr. | |
| D336,843 S | 6/1993 | Hurst | |
| 5,345,631 A | 9/1994 | Saperstein et al. | |
| D404,992 S | 2/1999 | Sittig | |
| 5,953,874 A | 9/1999 | Hoffman et al. | |
| 6,012,185 A | 1/2000 | Woods et al. | |
| D423,340 S | 4/2000 | Sittig | |
| 6,219,981 B1 | 4/2001 | Bergelt | |



(56)

References Cited

U.S. PATENT DOCUMENTS

D493,096 S 7/2004 Sittig
D653,088 S * 1/2012 Hansen D7/624.1
D733,540 S * 7/2015 Merrey D8/374
D734,135 S 7/2015 Merrey
D736,607 S * 8/2015 Sheldon D8/374
2001/0023509 A1 9/2001 Becker et al.

OTHER PUBLICATIONS

Whitmore Bed Risers REVIEW posted on Amazon.com by Student Runner on Dec. 11, 2011 found on Apr. 18, 2016 on http://www.amazon.com/Whitmor-6511-3349-BLK-Risers-Count-Black/dp/B004AGP0U0/ref=cm_cr_arp_d_product_top?ie=UTF8.
Bed Risers with Power Outlet on Target.com posted by vbjz Sep. 13, 2014 or 583 days before Apr. 18, 2016 found on Apr. 18, 2016 at <http://www.target.com/p/bed-risers-with-power-outlet-black-room-essentials/-/A-15116773?force-full-site=1&full-site-confirm>.
“Electrical Outlet Bed Risers,” website archive dated Sep. 4, 2013.
“Bed Stands (Merrick),” website archive dated Dec. 18, 2013.
First Amended Complaint, filed Aug. 10, 2015, in *Blue Water Investment LLC v. Merrick Engineering, Inc.*, Case No. 1:15-cv-12927-DJC in the United States District Court for the District of Massachusetts.
U.S. Appl. No. 29/574,969 Including its prosecution history, filed Aug. 19, 2016, Abdi.

* cited by examiner

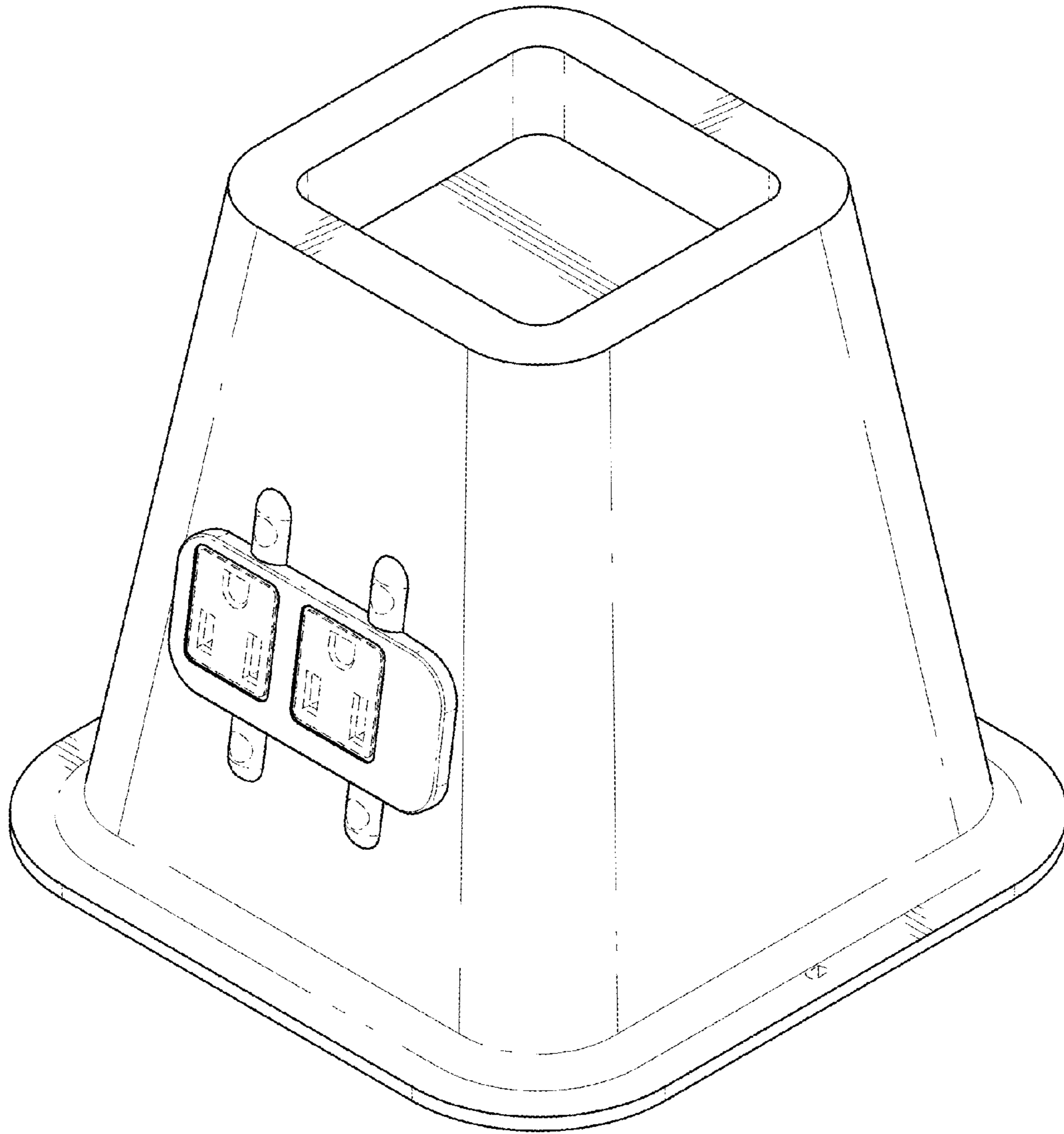


FIG. 1

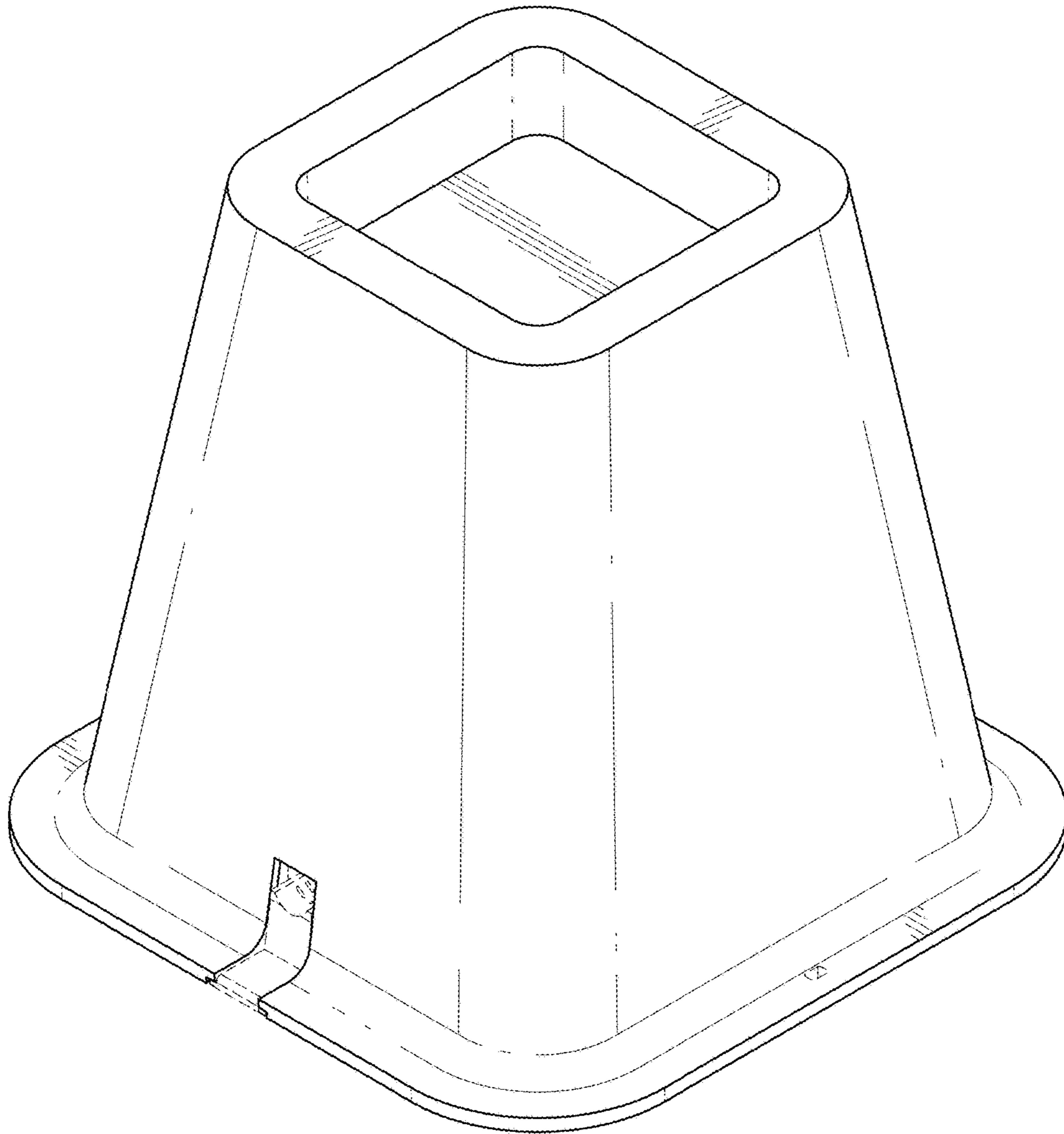


FIG. 2

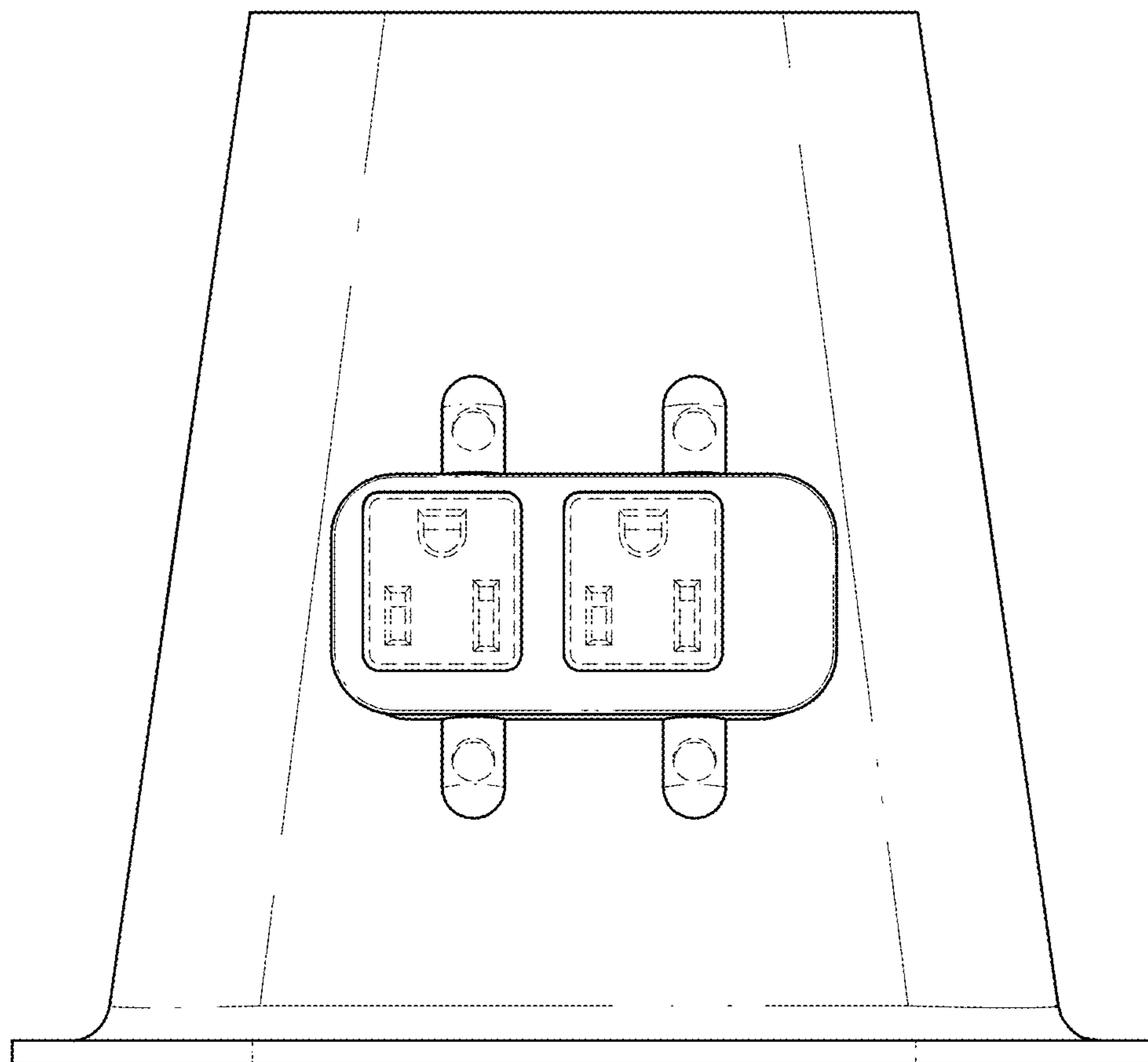


FIG. 3

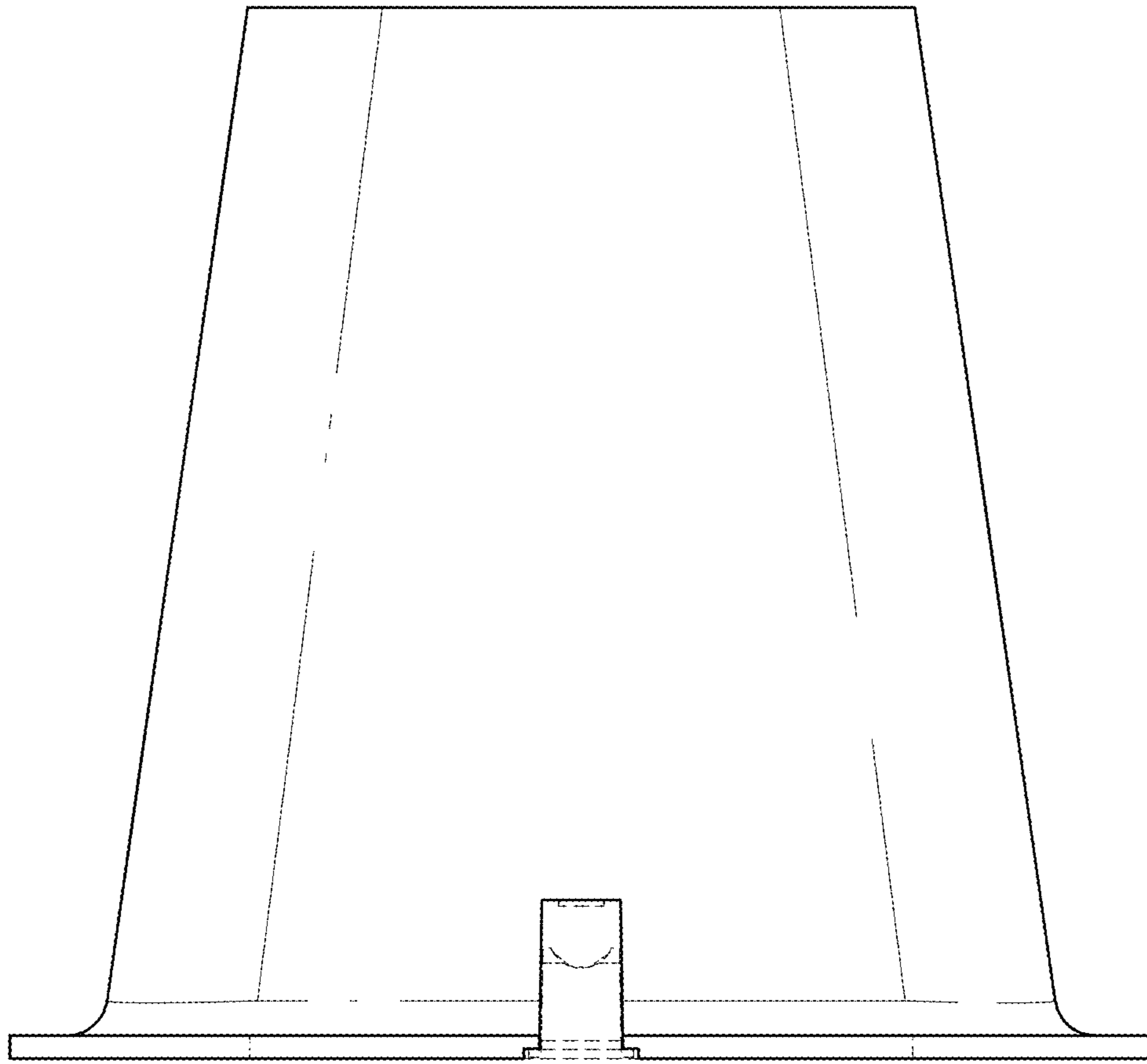


FIG. 4

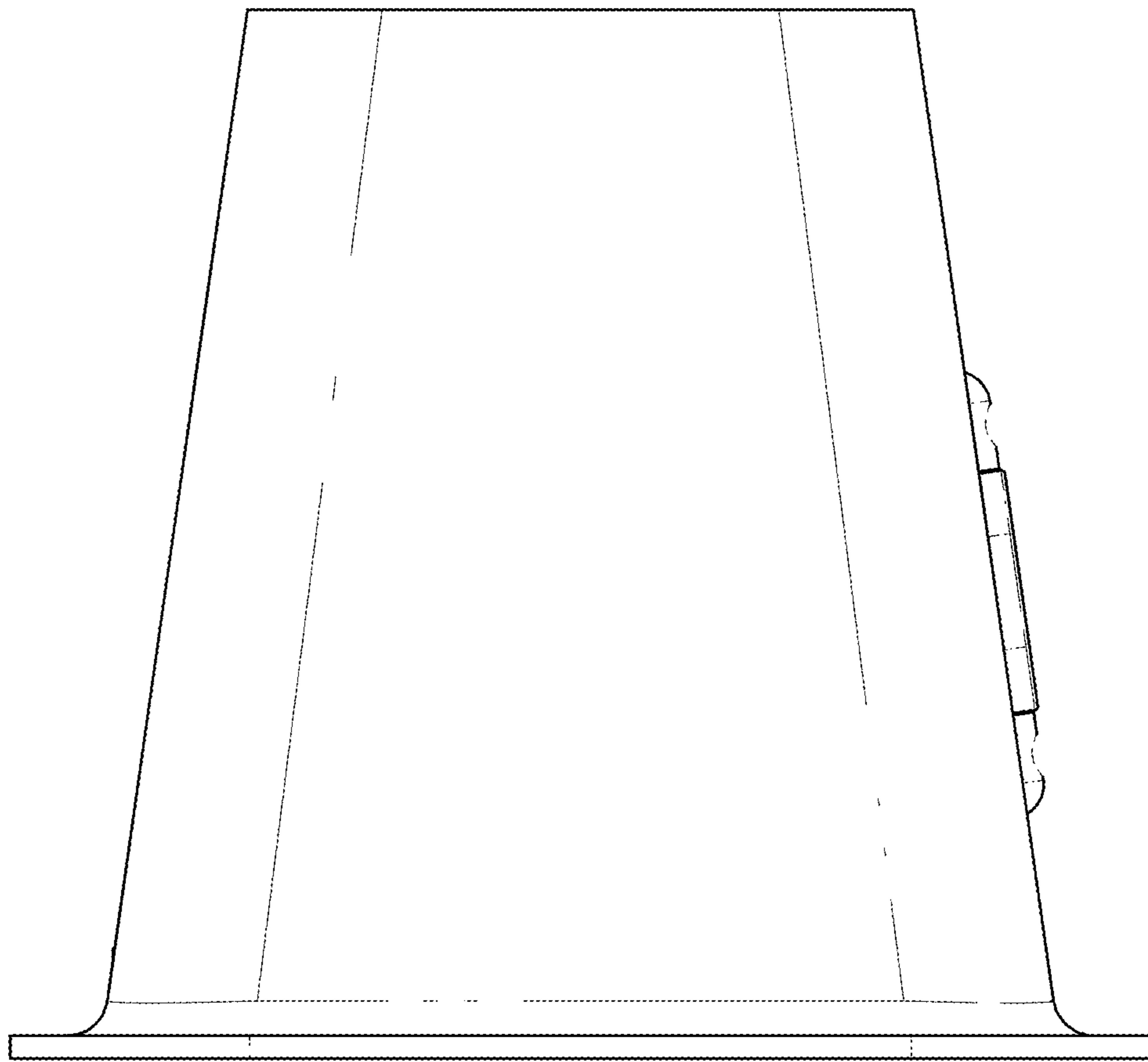


FIG. 5

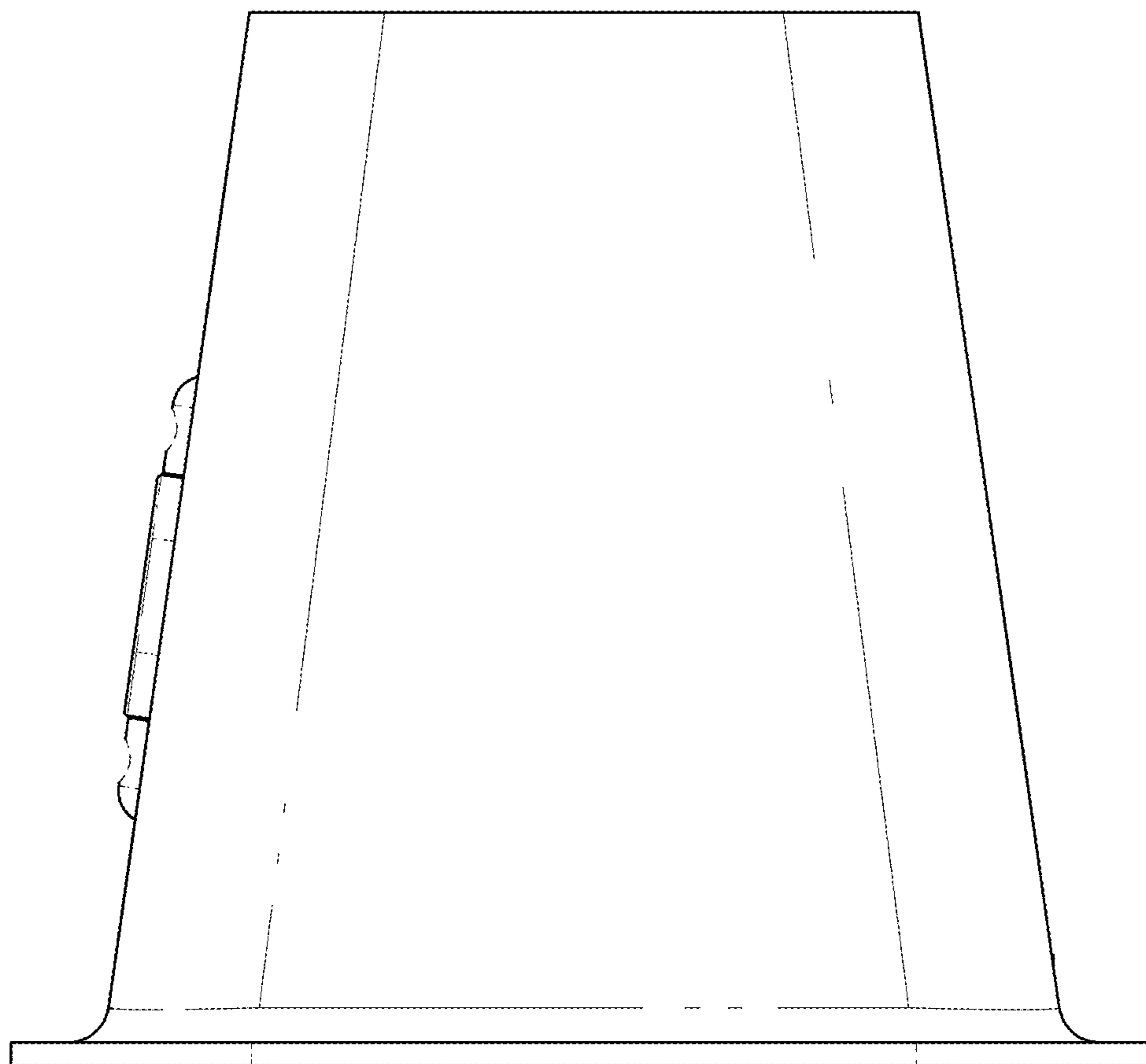


FIG. 6

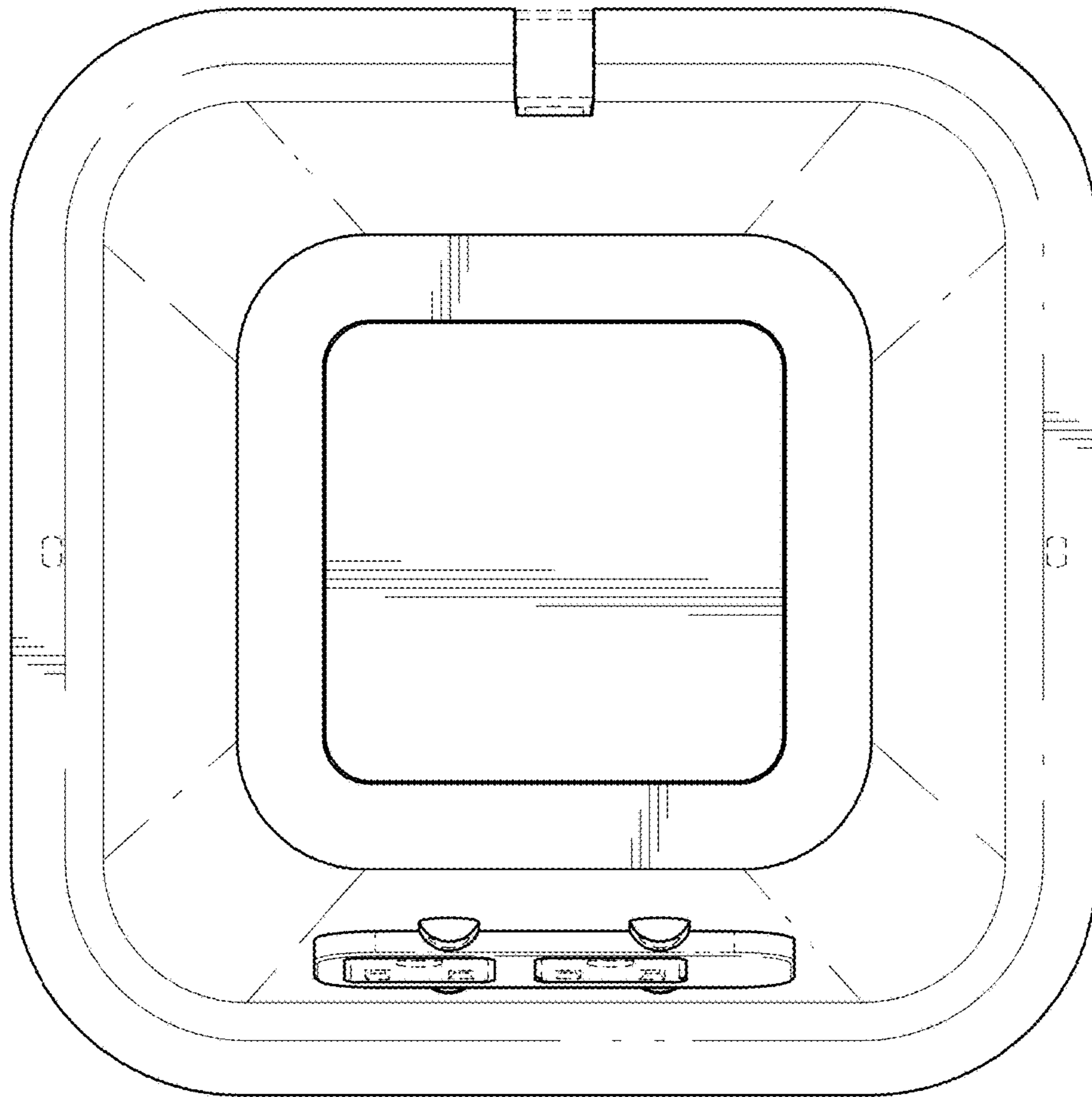


FIG. 7

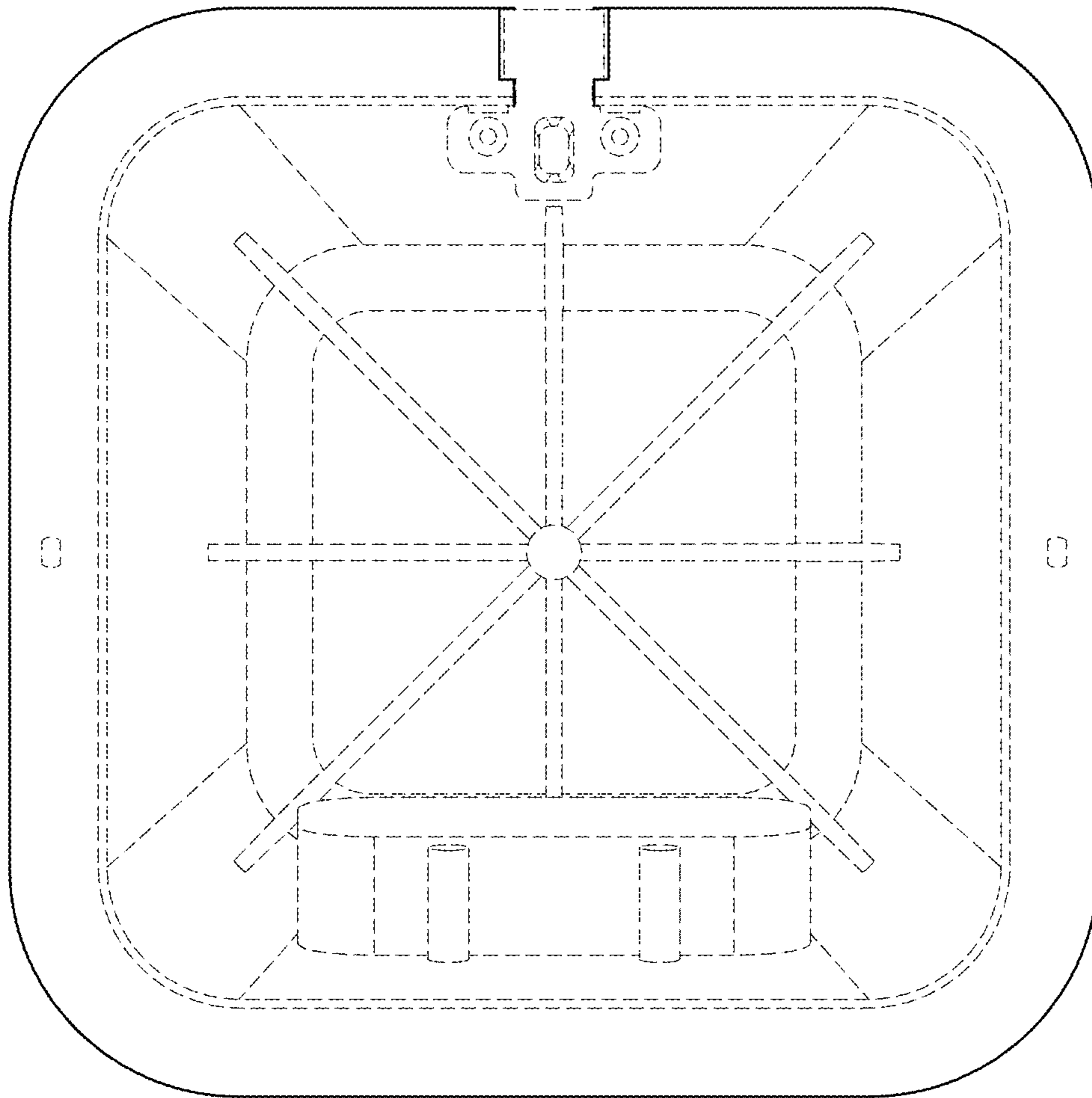


FIG. 8