



US00D784118S

(12) **United States Design Patent** (10) **Patent No.:** **US D784,118 S**
Reddy (45) **Date of Patent:** **** Apr. 18, 2017**

(54) **CABLE IDENTIFICATION CLIP**
(71) Applicant: **Ryan Nishal Reddy**, Andover, MN (US)
(72) Inventor: **Ryan Nishal Reddy**, Andover, MN (US)
(**) Term: **15 Years**
(21) Appl. No.: **29/559,176**
(22) Filed: **Mar. 25, 2016**
(51) **LOC (10) Cl.** **08-05**
(52) **U.S. Cl.**
USPC **D8/356**
(58) **Field of Classification Search**
USPC D24/128, 127, 108, 107; 604/180;
D8/356, 354, 349; D13/155; 248/74.3
CPC .. A61M 29/00; A61M 25/02; A61M 25/0133;
A61M 2025/024; A61M 2025/0266;
A61M 5/00; A61M 2039/087; F16G 1/00;
F16G 11/00; H02G 3/00; H02G 3/03;
H02G 3/04; H02G 3/0437; H02G 3/0608;
F16L 3/1058
See application file for complete search history.

(56) **References Cited**
U.S. PATENT DOCUMENTS
D263,698 S * 4/1982 Loof D13/157
D299,213 S * 1/1989 Puntillo D8/395
D313,010 S * 12/1990 Skarin D13/157
5,474,268 A * 12/1995 Yu A01G 17/08
248/61
5,544,391 A * 8/1996 Hoffman B65D 63/14
24/16 PB
D426,577 S * 6/2000 Mackey D19/32
D592,509 S * 5/2009 Lecoutre D9/434

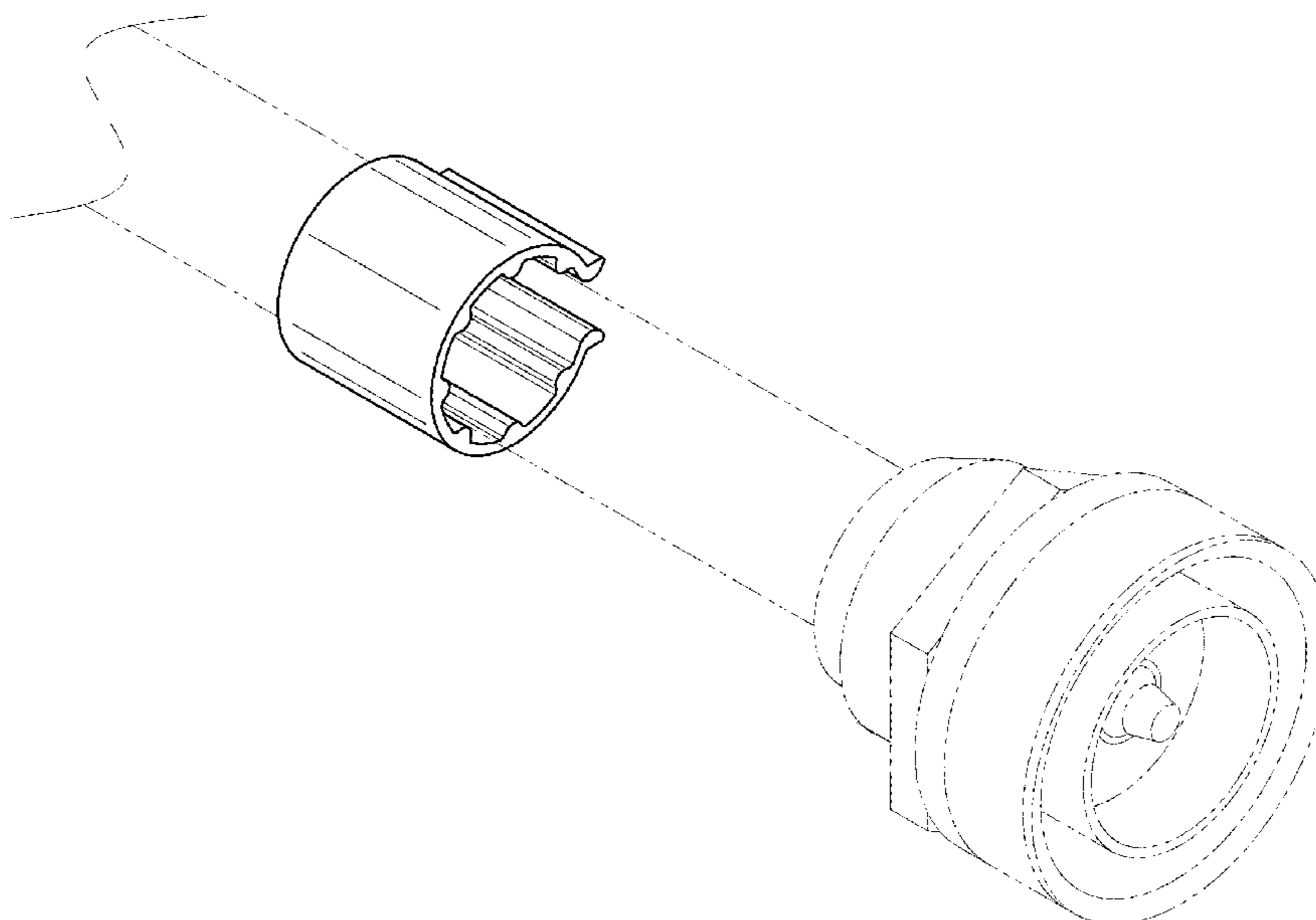
7,597,296 B2 * 10/2009 Conway A47B 47/05
248/229.16
D718,116 S * 11/2014 Taing D8/349
D723,363 S * 3/2015 Symons D8/396
D747,275 S * 1/2016 Rodrigue D13/155
D747,276 S * 1/2016 Rodrigue D13/155
D773,695 S * 12/2016 Hough D25/119
9,512,941 B2 * 12/2016 Rodrigue F16L 3/237
2003/0234116 A1 * 12/2003 Uchida B60R 16/0215
174/68.1
2006/0270487 A1 * 11/2006 Tu Teng A63B 69/3638
473/256
2009/0156322 A1 * 6/2009 Luly A63B 69/3608
473/206

* cited by examiner
Primary Examiner — Cynthia Underwood
(74) *Attorney, Agent, or Firm* — Dave Alan Lingbeck

(57) **CLAIM**
The ornamental design for a cable identification clip, as shown and described.

DESCRIPTION
FIG. 1 is a rear perspective view of a cable identification clip.
FIG. 2 is side elevation view of the cable identification clip, the opposed side elevation view being a mirror image thereof.
FIG. 3 is a front elevation view of the cable identification clip; and,
FIG. 4 is an end elevation view of the cable identification clip, the opposed end elevation view being a mirror image thereof.
The broken lines represent environment and forms no part of the claim.

1 Claim, 3 Drawing Sheets



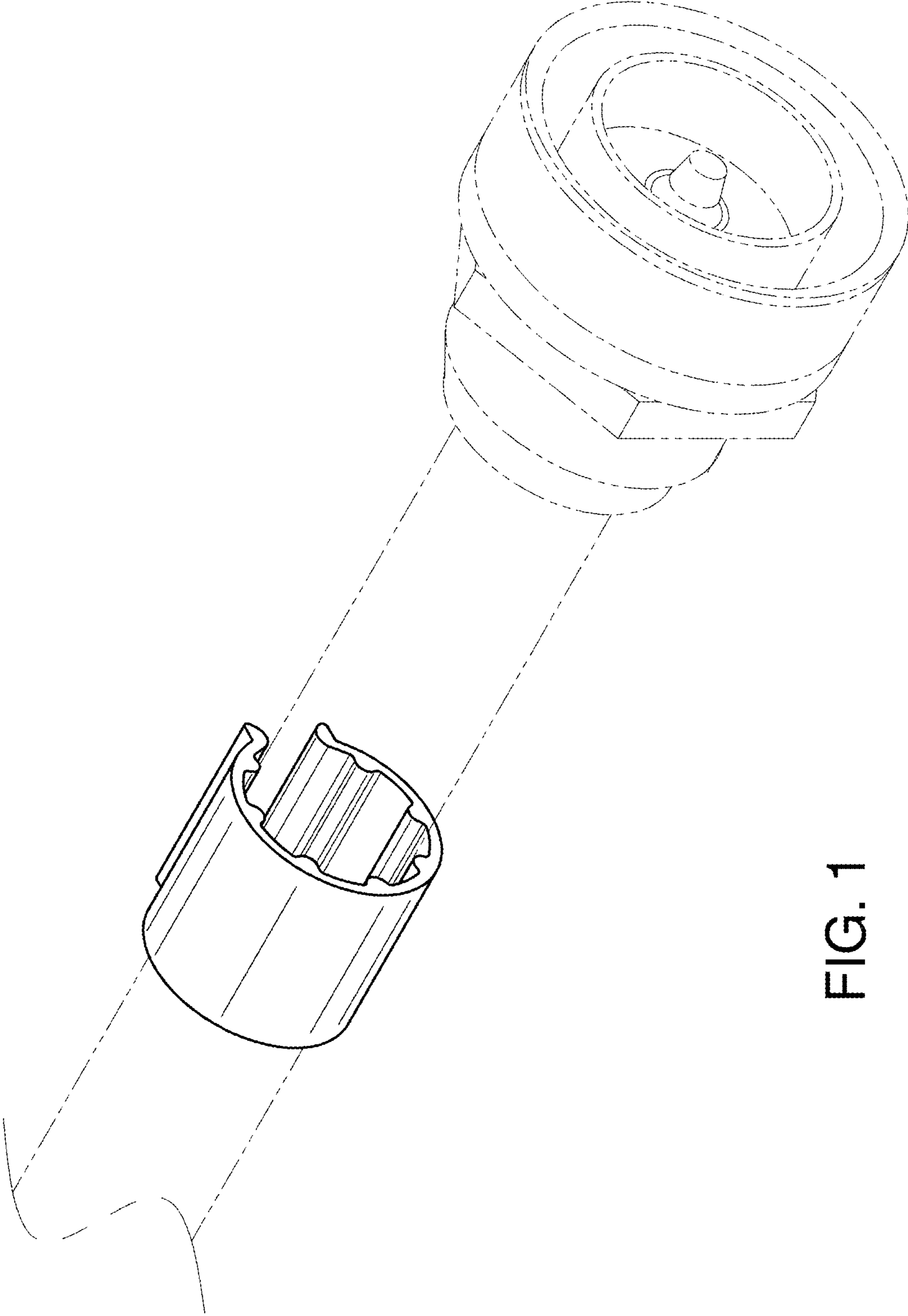


FIG. 1

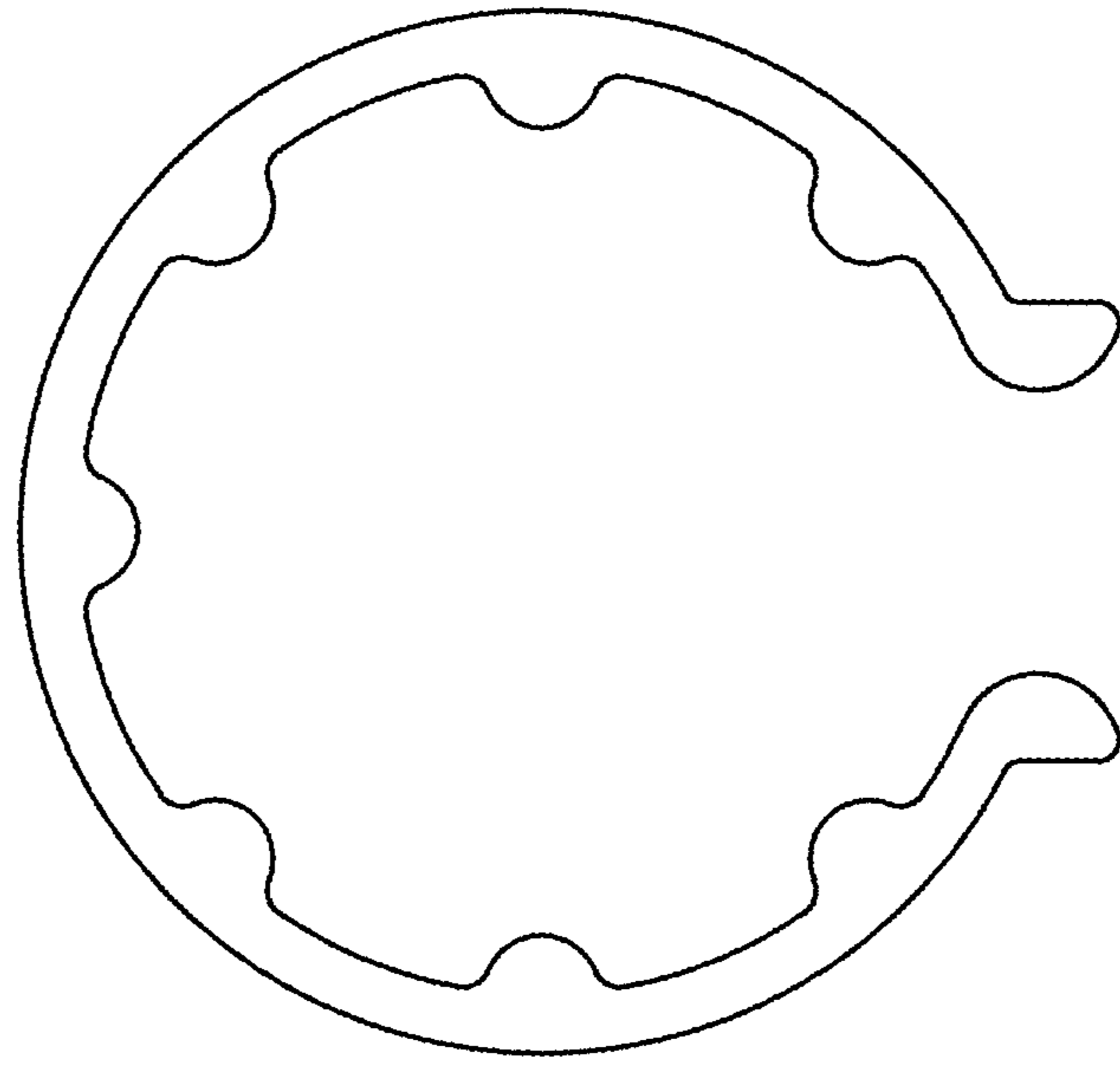


FIG. 2

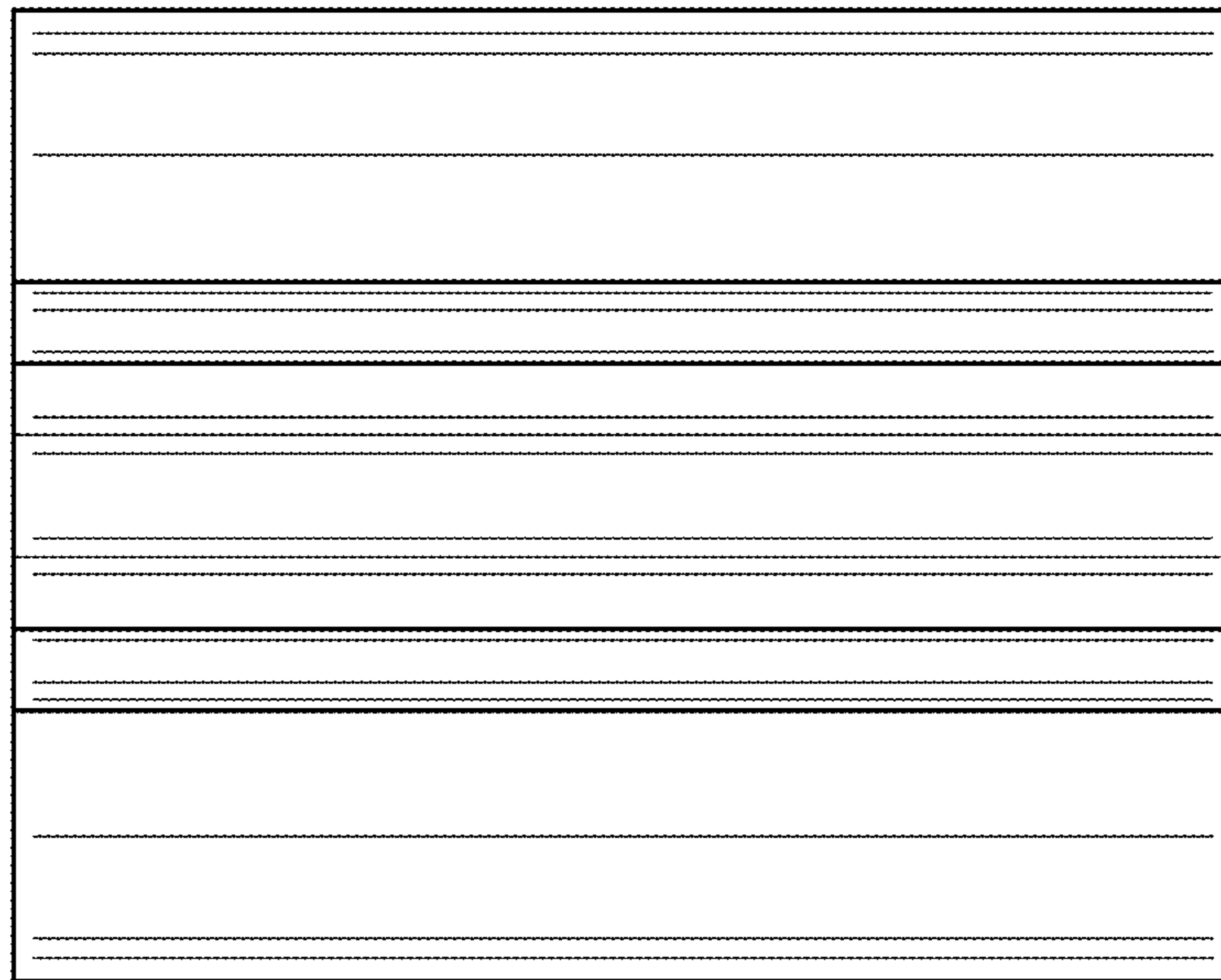


FIG. 3

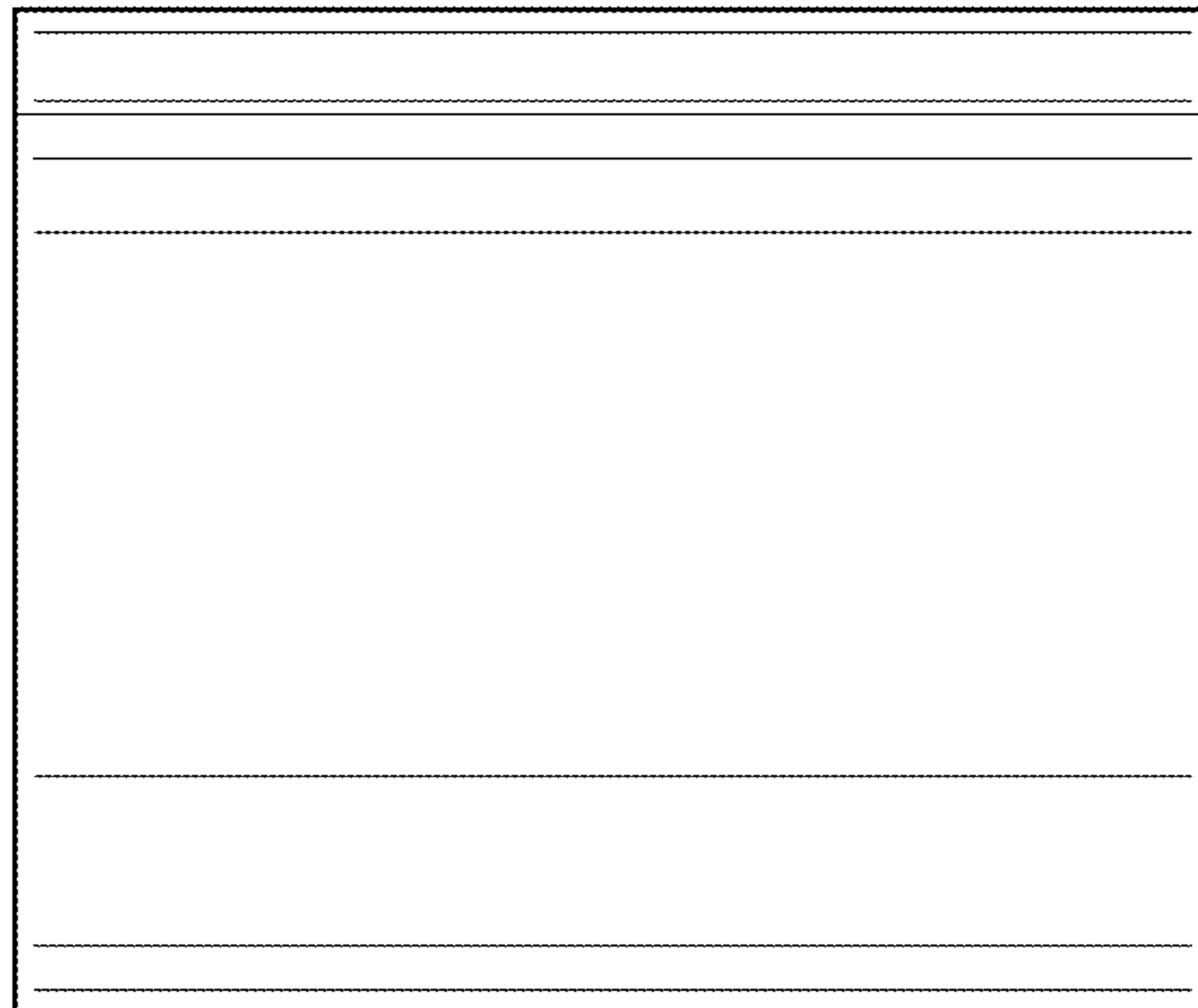


FIG. 4