



US00D784116S

(12) **United States Design Patent** (10) **Patent No.:** **US D784,116 S**
Goldszer (45) **Date of Patent:** **** Apr. 18, 2017**

(54) **FOLDING CHAIR ARM ADJUSTMENT BRACKET AND STEM**
(71) Applicant: **JGR Copa, LLC**, Hollywood, FL (US)
(72) Inventor: **Jacob Goldszer**, Hollywood, FL (US)
(73) Assignee: **JGR Copa, LLC**, Hollywood, FL (US)
(**) Term: **14 Years**
(21) Appl. No.: **29/494,161**
(22) Filed: **Jun. 18, 2014**
(51) **LOC (10) Cl.** **08-05**
(52) **U.S. Cl.**
USPC **D8/355**
(58) **Field of Classification Search**
USPC D8/354, 355; 297/38, 463.1, 423.27, 297/423.31
CPC A47C 4/00; A47C 1/0265
See application file for complete search history.

4,266,807 A 5/1981 Griffin
4,429,897 A 2/1984 Friedman et al.
4,674,793 A 6/1987 Kettler
4,703,944 A 11/1987 Higson
4,784,432 A 11/1988 Brown
4,790,559 A 12/1988 Edmonds
4,865,346 A 9/1989 Carlile
4,887,837 A 12/1989 Bonewicz, Jr. et al.
4,898,421 A * 2/1990 Brunn A47C 1/0265 297/28

4,906,046 A 3/1990 Kleinklaus
5,197,754 A 3/1993 Ward
5,207,470 A * 5/1993 Rafi-Zadeh B60J 7/1614 224/282

D338,791 S 8/1993 Cohen
(Continued)

Primary Examiner — Lakiya Rogers
Assistant Examiner — Harold E Blackwell, II
(74) *Attorney, Agent, or Firm* — Robert C. Kain, Jr.

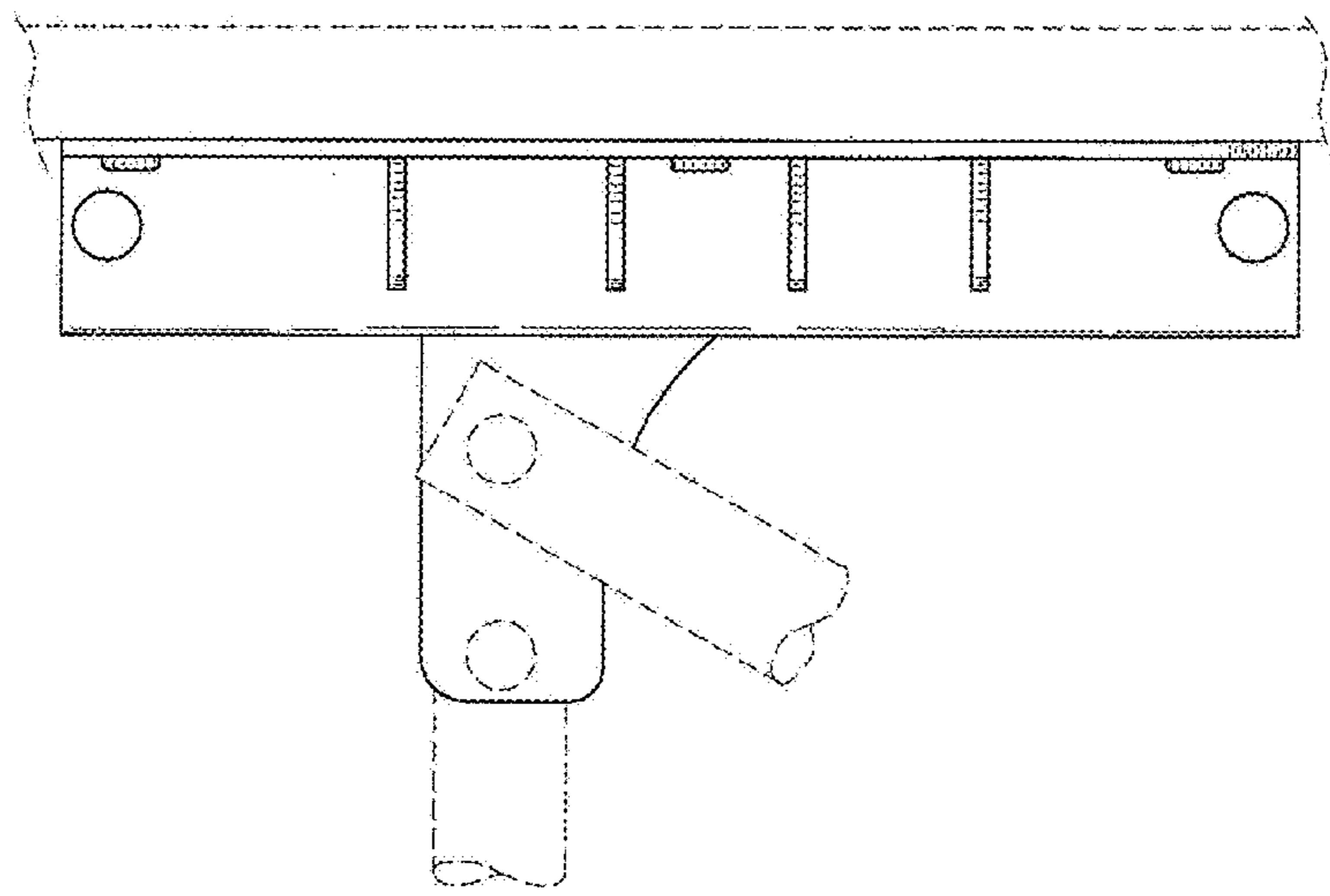
(57) **CLAIM**
I claim the ornamental design for the folding chair arm adjustment bracket and stem, as shown and described.

DESCRIPTION

FIG. 1 is a first side elevational view of the folding chair arm adjustment bracket and stem.
FIG. 2 is a front elevational view of the folding chair arm adjustment bracket and stem.
FIG. 3 is a second side elevational view of the folding chair arm adjustment bracket and stem.
FIG. 4 is a rear view of the folding chair arm adjustment bracket and stem; and,
FIG. 5 is a bottom view of the folding chair arm adjustment bracket and stem.
The top view forming no part of the design.
The broken lines in the FIGS. 1-5 illustrate portions of the folding chair arm adjustment bracket and stem which forms no part of the claimed design.

1 Claim, 5 Drawing Sheets

(56) **References Cited**
U.S. PATENT DOCUMENTS
380,525 A 4/1888 Schmuck
2,072,075 A * 2/1937 Travers A47C 1/0265 297/28
2,920,686 A 1/1960 Morton
3,037,811 A 6/1962 Vanderminde
3,075,811 A * 1/1963 Brown A47C 1/0265 297/359
3,135,551 A * 6/1964 Andreoli A47C 1/027 297/359
3,191,958 A 6/1965 Smith
3,368,594 A 2/1968 Cohen
3,627,342 A 12/1971 Morellet et al.
3,677,571 A 7/1972 Maturo, Jr. et al.
3,693,993 A 9/1972 Mazzarelli et al.
4,055,357 A 10/1977 Sorocin
4,222,585 A 9/1980 Crothers



(56)

References Cited

U.S. PATENT DOCUMENTS

D376,060	S	12/1996	Cohen	
5,915,722	A	6/1999	Thrasher et al.	
5,988,671	A	11/1999	Abelbeck et al.	
6,601,912	B1 *	8/2003	Chen	A47C 4/286 297/38
6,739,652	B2 *	5/2004	Welsh	A47C 1/0265 297/129
RE39,022	E	3/2006	Welsh et al.	
D547,981	S	8/2007	Cohen	
D552,386	S	10/2007	Cohen	
7,374,247	B2 *	5/2008	Welsh	A47C 7/52 297/423.19
D571,113	S	6/2008	Cohen	
D571,115	S	6/2008	Cohen	
D599,972	S	9/2009	Goldszer	
7,614,581	B2 *	11/2009	Beem	E04H 17/266 242/403
D630,834	S	1/2011	Cohen	
8,052,100	B2 *	11/2011	Zante	H02S 20/30 126/600
8,608,225	B2 *	12/2013	Barker	B60J 7/1265 296/121
8,851,504	B1 *	10/2014	Goldszer	B62B 3/02 280/651
2004/0206790	A1	10/2004	Welsh	
2012/0280549	A1 *	11/2012	Goldszer	A47C 4/00 297/359
2014/0346831	A1 *	11/2014	Goldszer	A47C 4/00 297/359

* cited by examiner

FIG. 1

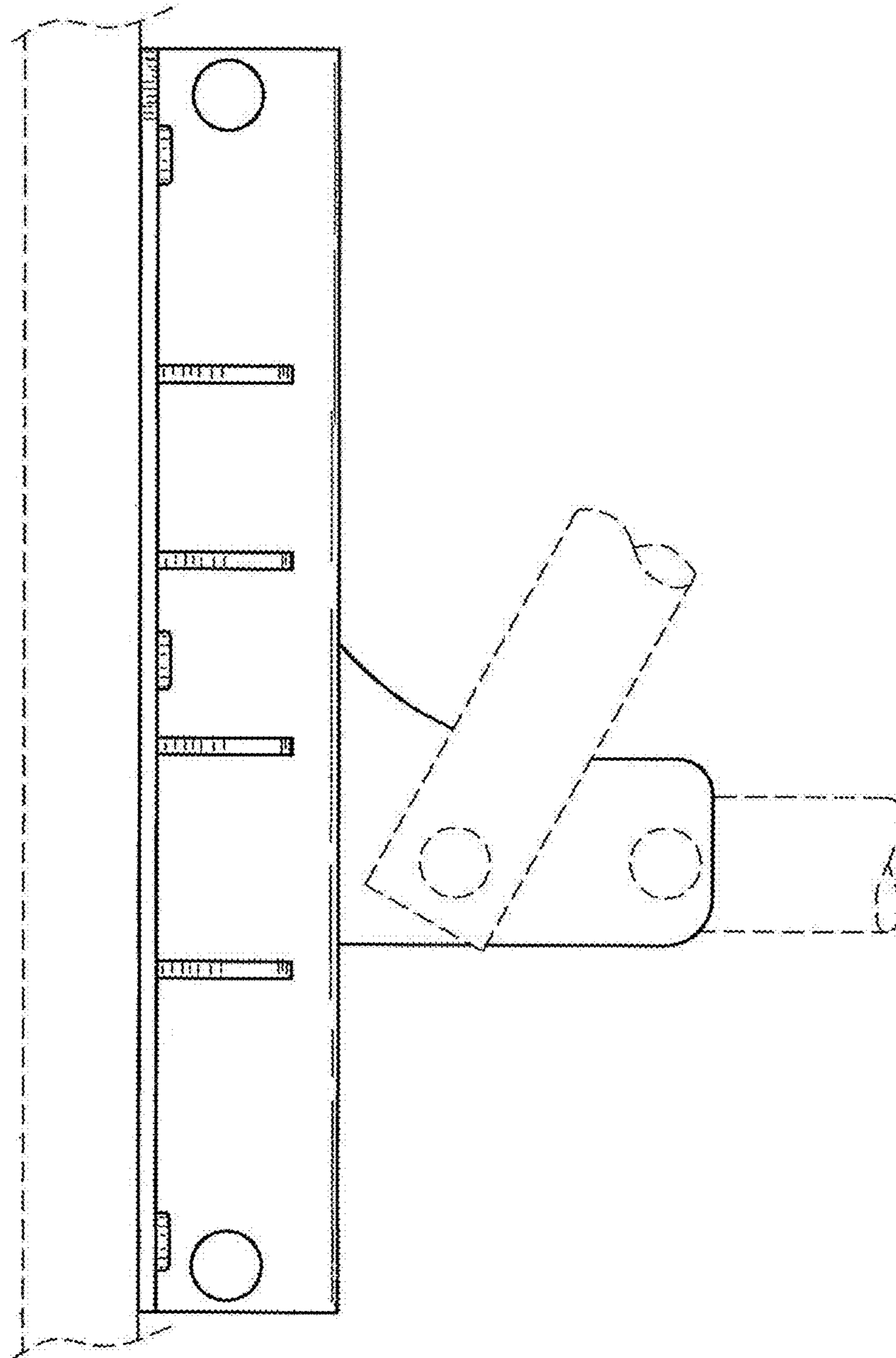


FIG. 2

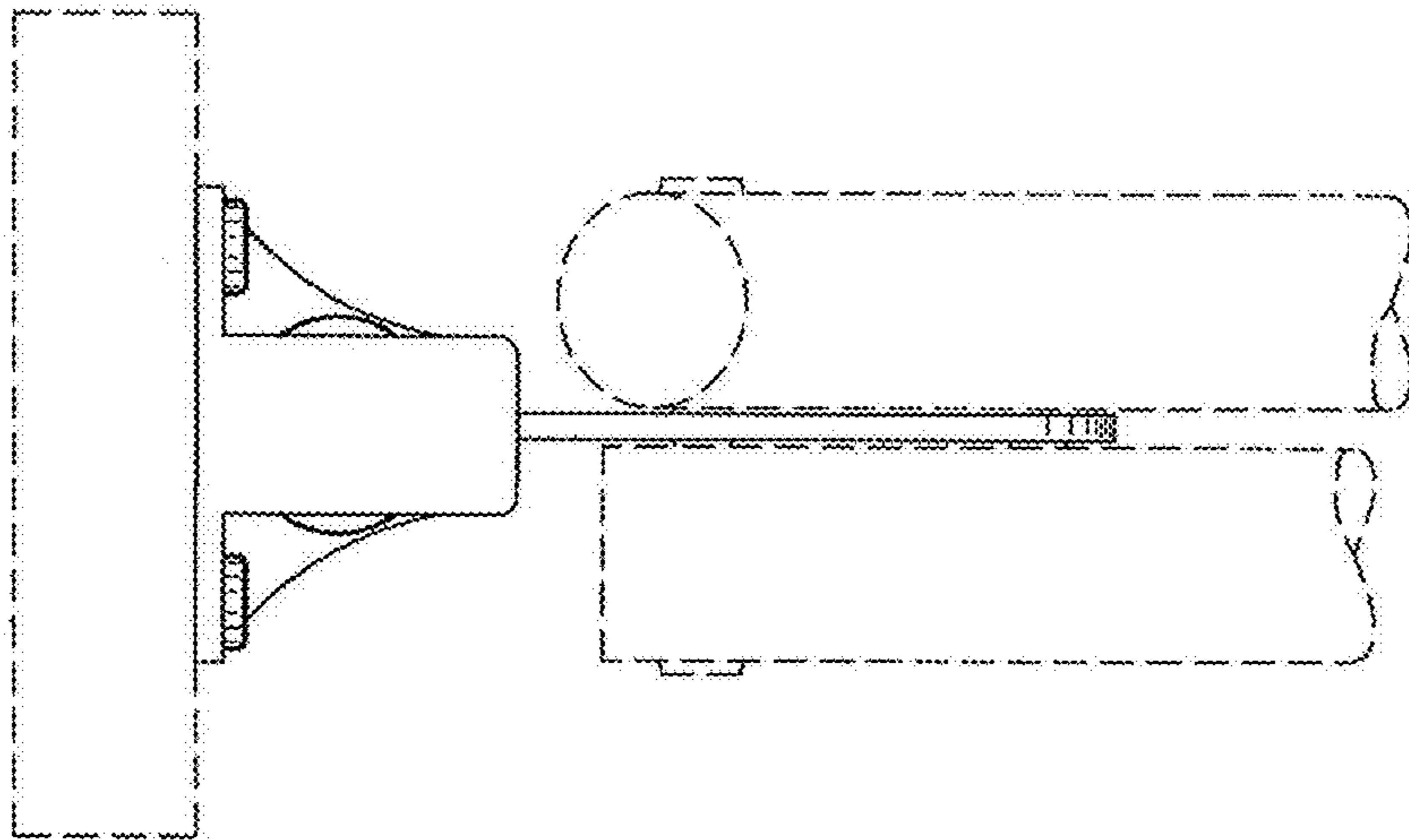


FIG.3

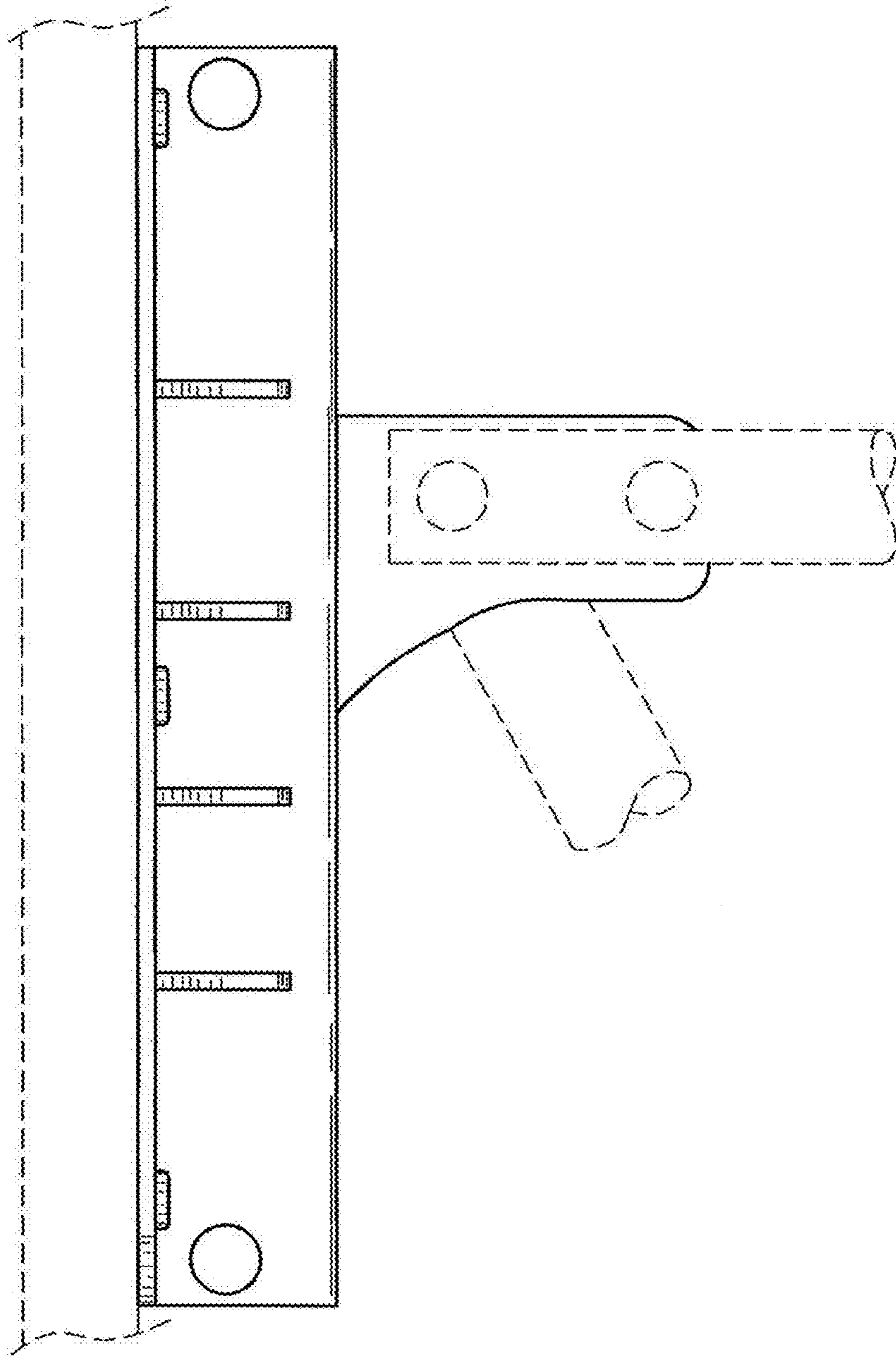


FIG.4

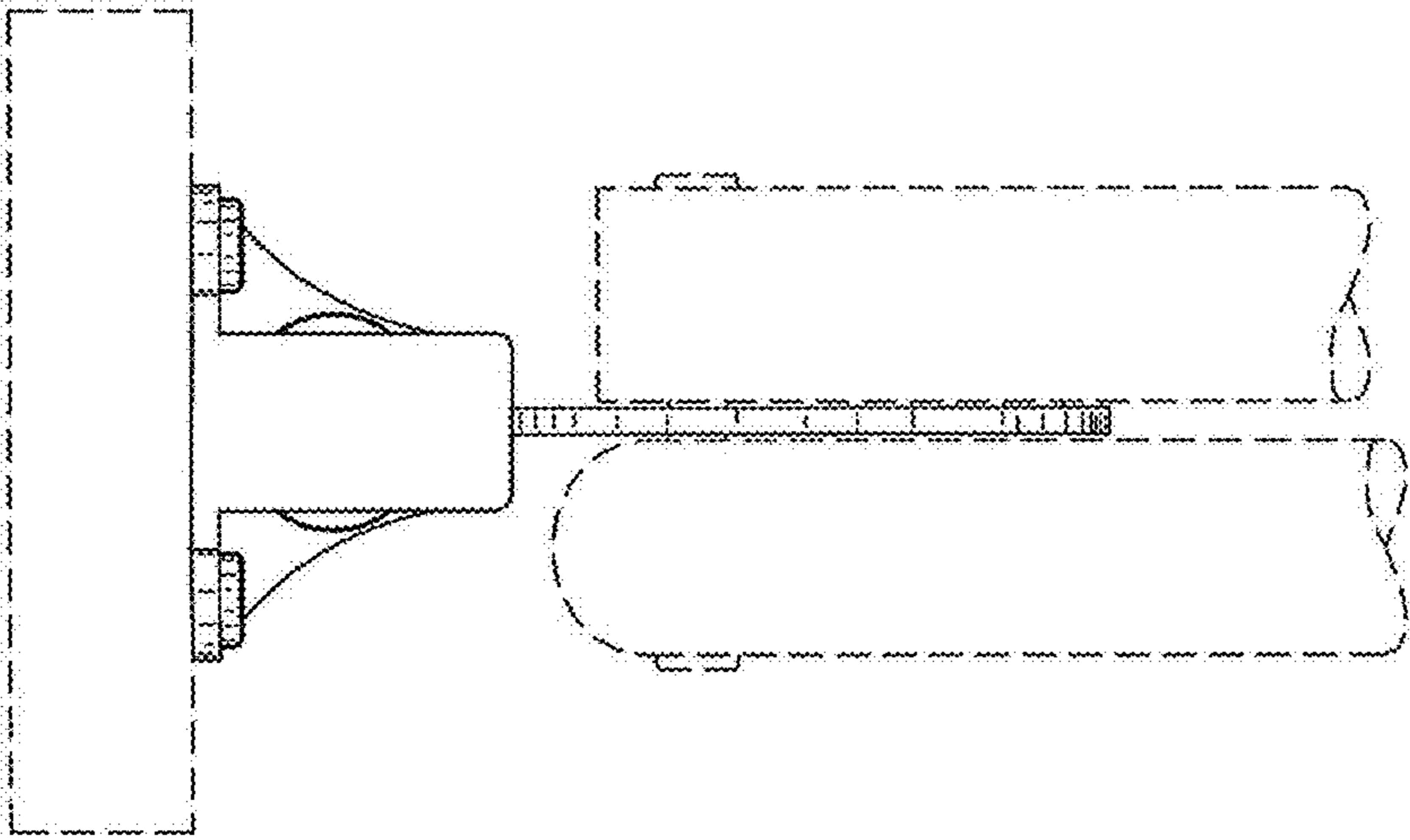


FIG. 5

