



US00D784114S

(12) **United States Design Patent** (10) **Patent No.:** **US D784,114 S**
Rago (45) **Date of Patent:** **** Apr. 18, 2017**

(54) **LED BRACKET**

(71) Applicant: **Mario Rago**, Mountain Home, TX (US)

(72) Inventor: **Mario Rago**, Mountain Home, TX (US)

(**) Term: **15 Years**

(21) Appl. No.: **29/580,729**

(22) Filed: **Oct. 12, 2016**

(51) **LOC (10) Cl.** **08-05**

(52) **U.S. Cl.**
USPC **D8/354**

(58) **Field of Classification Search**
USPC D8/349, 354-355, 373, 380, 382-383,
D8/394, 396; D13/113, 149, 154
CPC F21V 21/02; F21S 8/00
See application file for complete search history.

(56) **References Cited**

U.S. PATENT DOCUMENTS

4,714,219	A *	12/1987	Mayse	F16L 3/08 248/65
D324,990	S *	3/1992	Gary	D26/138
5,249,108	A *	9/1993	Gary	
D359,225	S *	6/1995	Reed	D26/138
D364,333	S *	11/1995	Fillipp	D8/354
D382,245	S *	8/1997	Bedrosian	D12/223
D576,763	S *	9/2008	Hartman	D26/138
D624,805	S *	10/2010	Clarke	D8/354
8,308,324	B2 *	11/2012	Van Horn	F21S 2/005 362/427
D695,090	S *	12/2013	White	D8/354
D704,886	S *	5/2014	Bush	D26/138
D712,816	S *	9/2014	Maholick	D12/223
D730,720	S *	6/2015	Nowak	
D737,672	S *	9/2015	Eddowes	
D752,954	S *	4/2016	Lax	D8/354
2008/0043456	A1	2/2008	Bernardini et al.	

OTHER PUBLICATIONS

<http://www.cbioffroadfab.com/products/5th-gen-toyota-4runner/5th-gen-ditch-light-brackets/>; CBIOffRoadFab.com; 2011; US.
<http://www.cbioffroadfab.com/products/5th-gen-toyota-4runner/5th-gen-antenna-bracket/>; CBIOffRoadFab.com; 2011; US.
<http://www.cbioffroadfab.com/products/2nd-gen-toyota-tacoma-products/2nd-gen-tacoma-antenna-bracket/>; CBIOffRoadFab.com; 2011; US.
<http://www.autoanything.com/lights/rigid-industries-bumper-lightbar-mount-kits/>; AutoAnything.com; 2000-2016; US.
<https://www.amazon.com/Rough-Country-Windshield-Mounting-Brackets/dp/B00TACQ6L6>; Amazon-com; US; 1996-2016.
<http://www.autoanything.com/lights/rigid-industries-hood-lightbar-mount-kits/>; AutoAnything.com; 2000-2016; US.
<http://www.autoanything.com/lights/ici-hood-light-mounting-brackets/>; AutoAnything.com; 2000-2016; US.

* cited by examiner

Primary Examiner — Lakiya Rogers
Assistant Examiner — Harold E Blackwell, II
(74) *Attorney, Agent, or Firm* — Nicholas A. Guinn

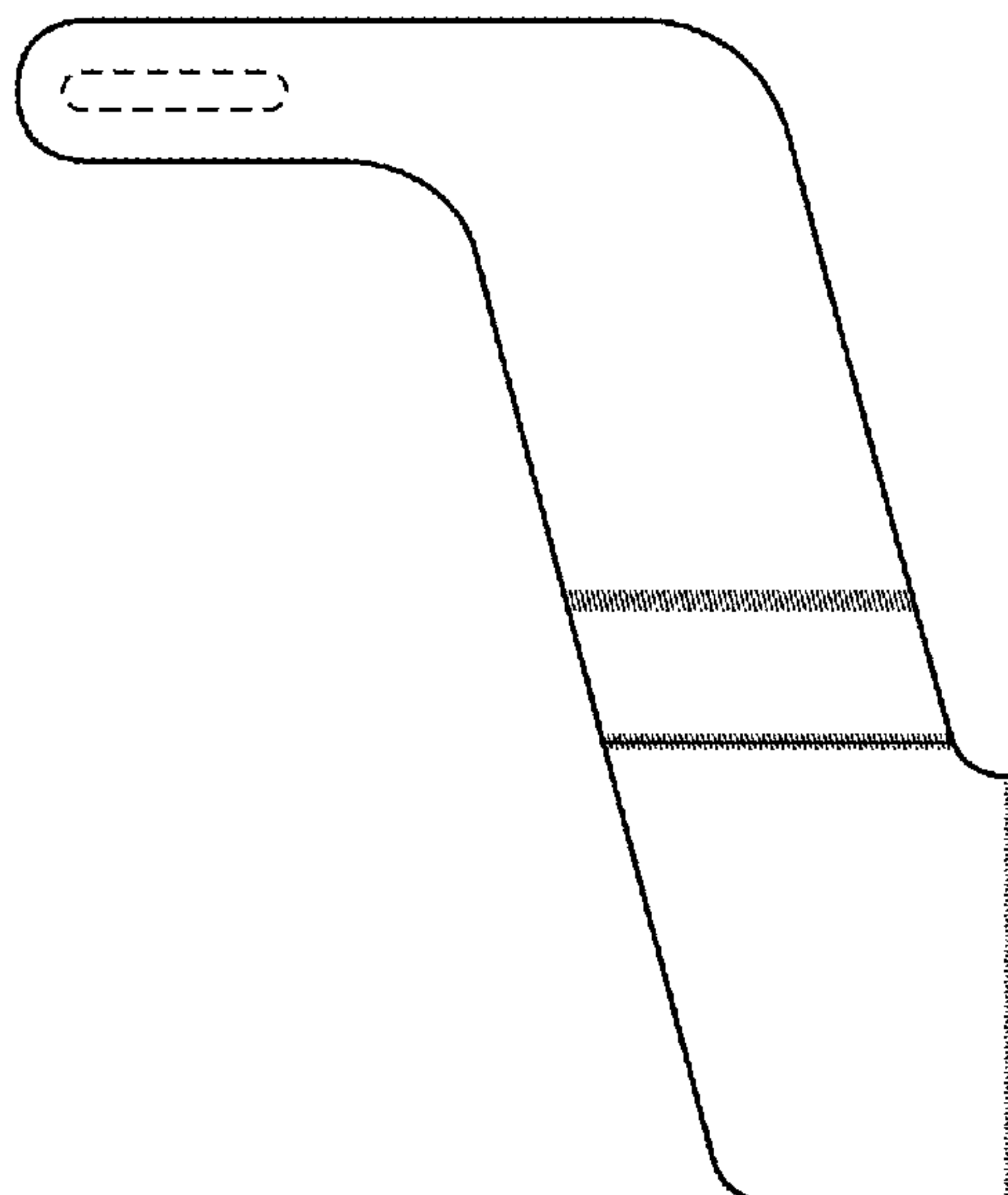
(57) **CLAIM**

The ornamental design for an LED bracket, as shown and described.

DESCRIPTION

FIG. 1 is a rear elevational view of the bracket;
FIG. 2 is a front elevational view thereof;
FIG. 3 is a left side elevational view thereof;
FIG. 4 is a right side elevational view thereof;
FIG. 5 is a top plan view thereof;
FIG. 6 is a bottom plan view thereof; and,
FIG. 7 is a front perspective view of the bracket.
The features in broken lines are included for the purpose of showing portions of the LED bracket that form no part of the claimed design.

1 Claim, 4 Drawing Sheets



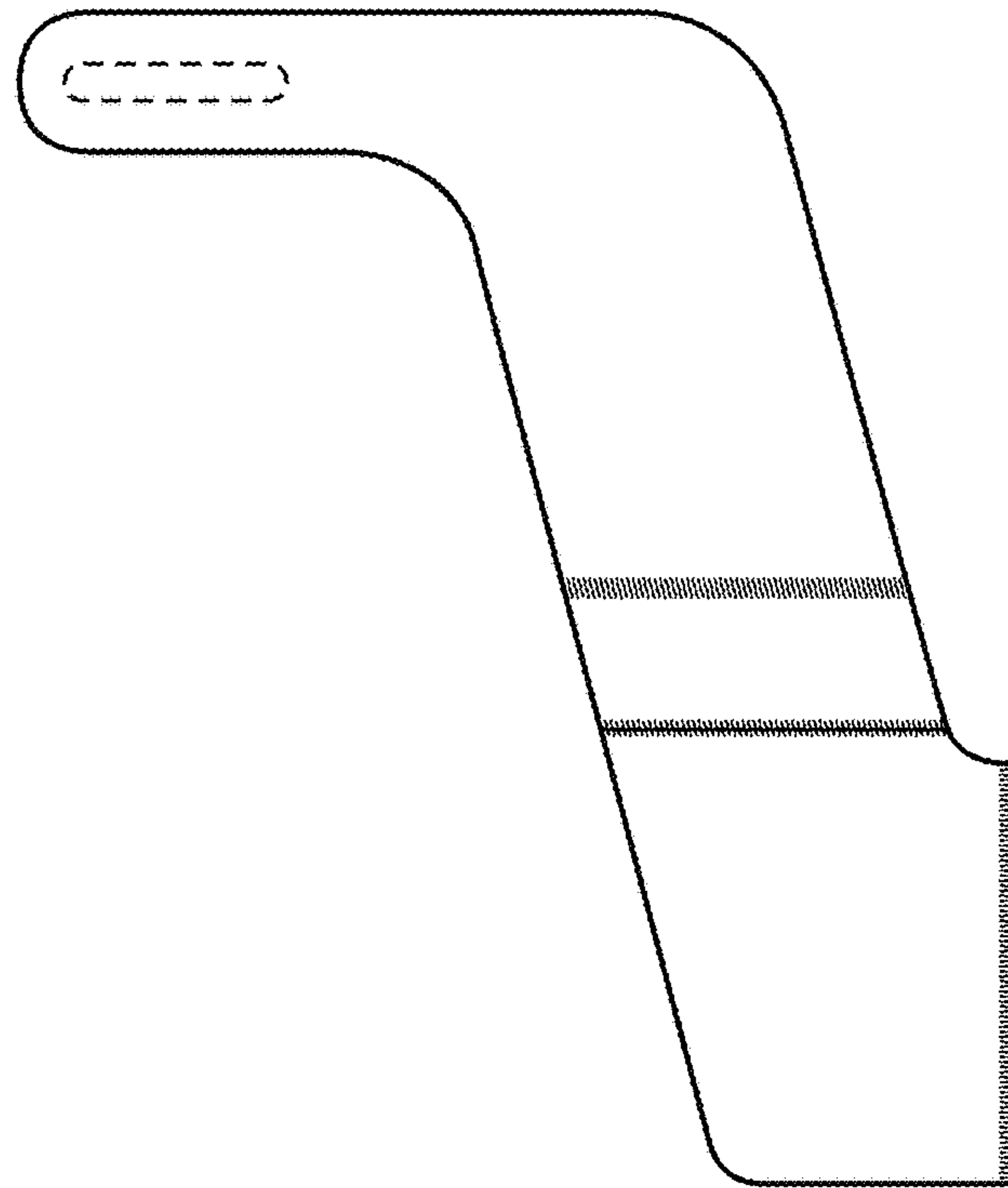


FIG. 1

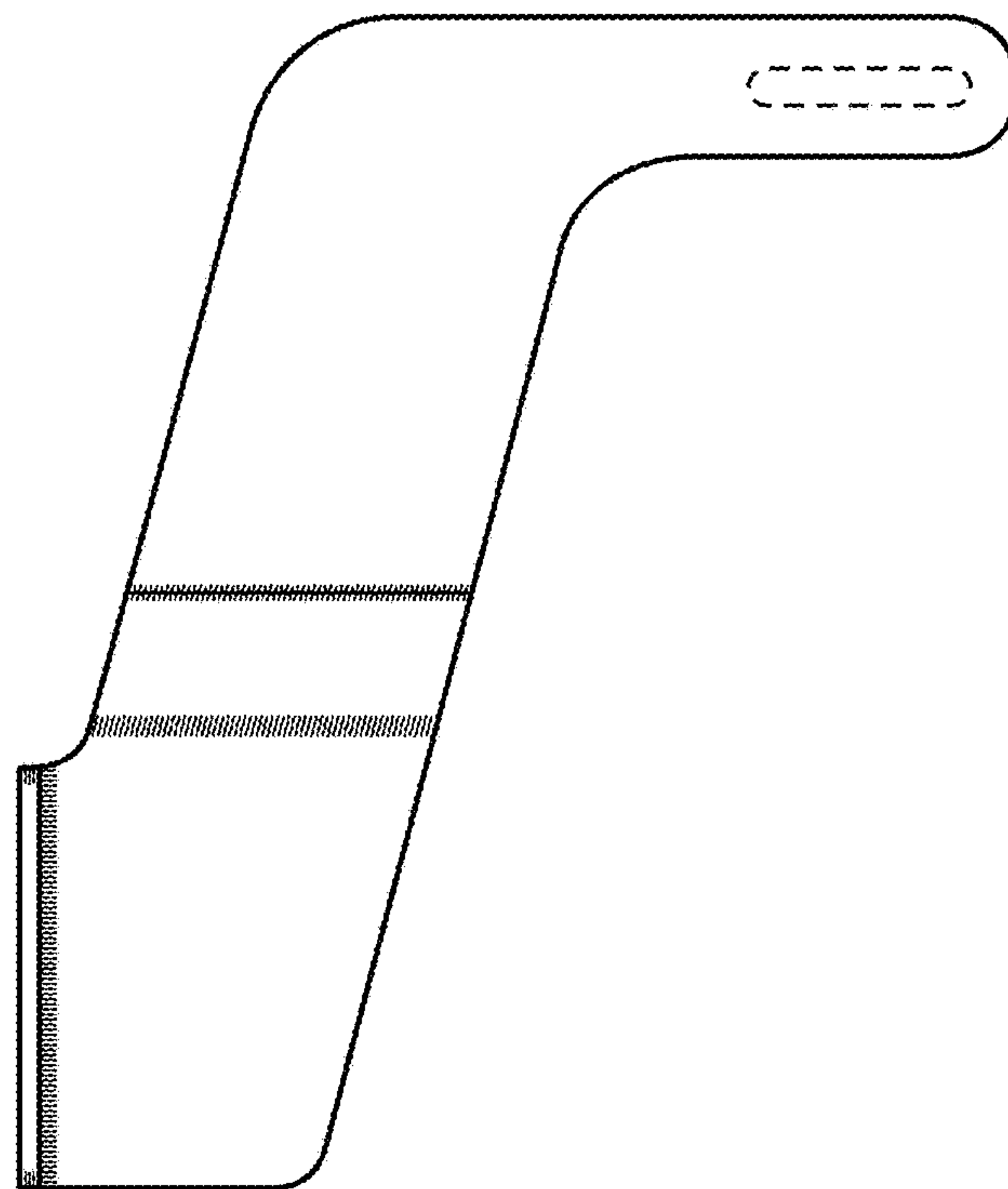


FIG. 2

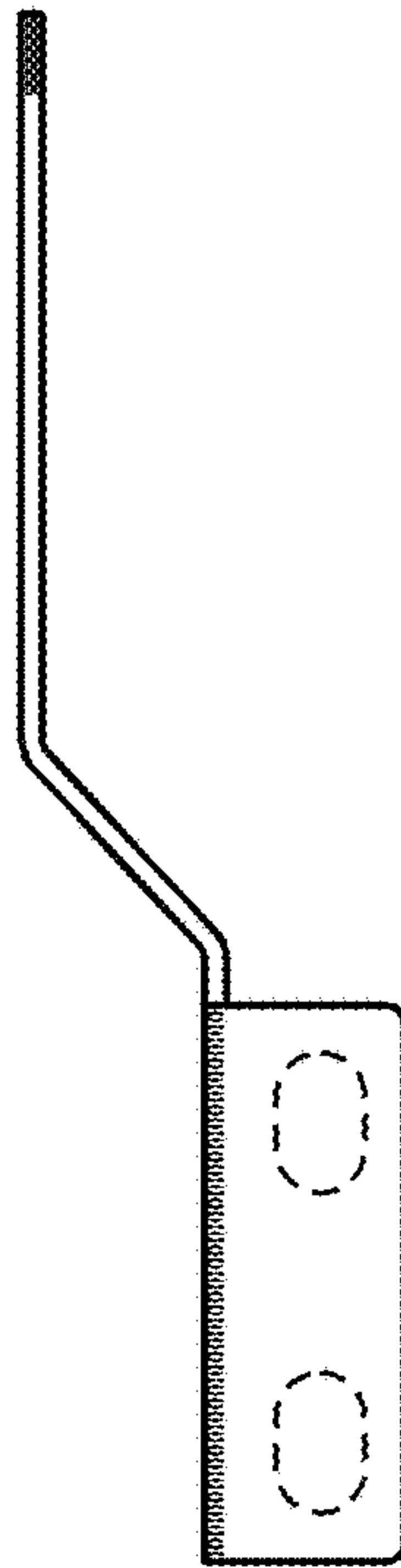


FIG. 3

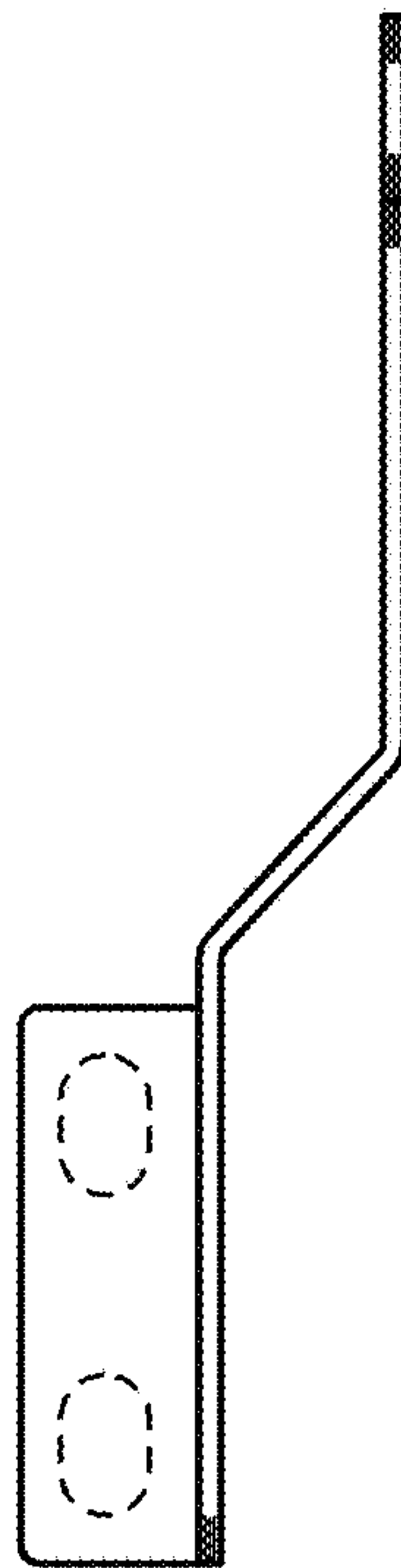


FIG. 4

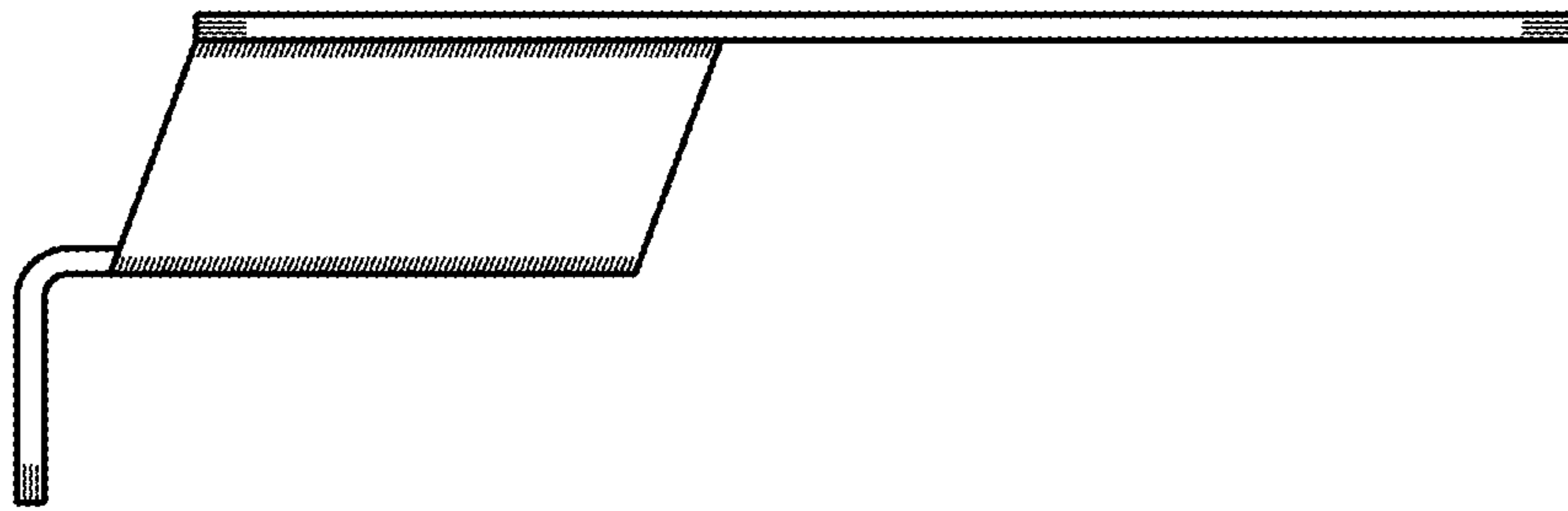


FIG. 5

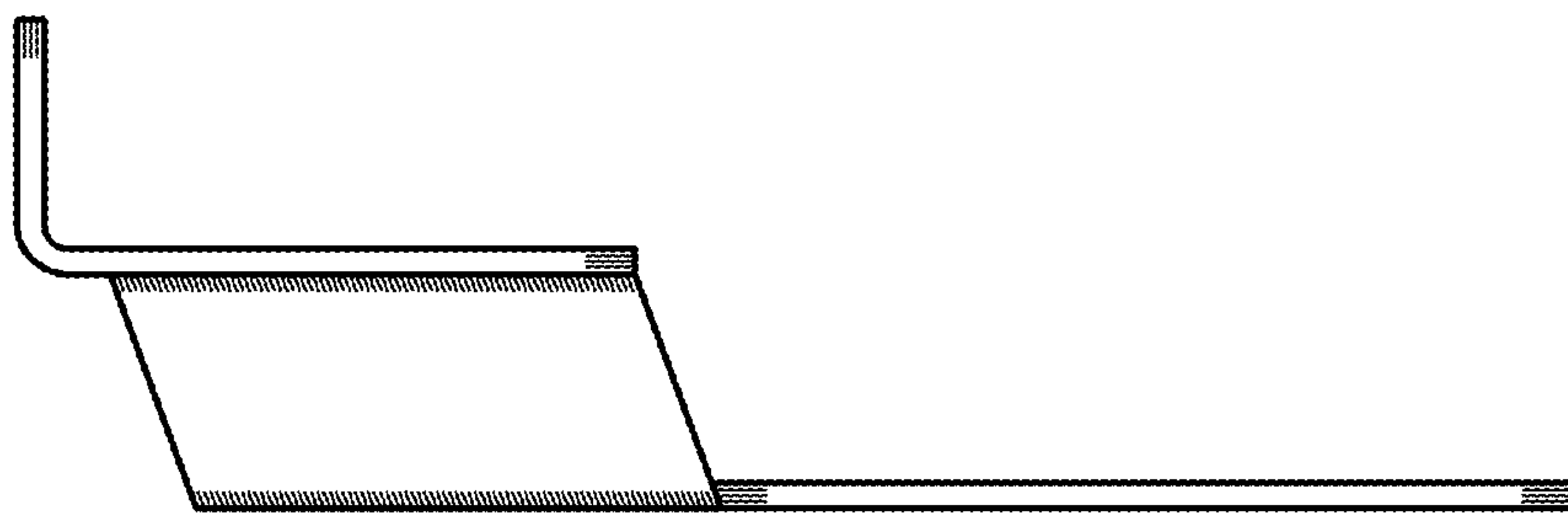


FIG. 6

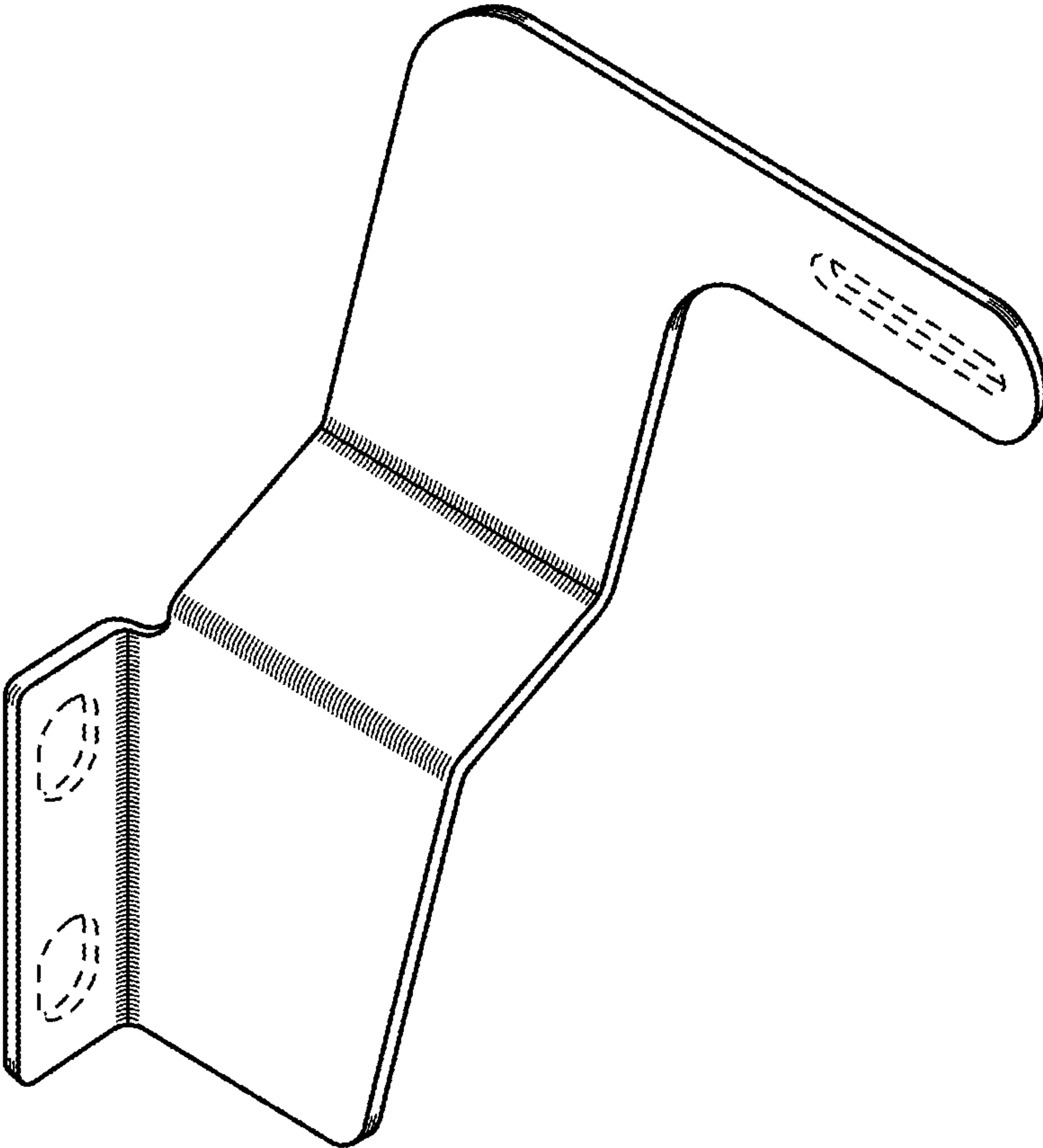


FIG. 7