



US00D784112S

(12) **United States Design Patent**  
**Onorato**

(10) **Patent No.:** **US D784,112 S**  
(45) **Date of Patent:** **\*\* Apr. 18, 2017**

- (54) **ROTATING LATCH**
- (71) Applicant: **GEM Products, Inc.**, Orange Park, FL (US)
- (72) Inventor: **Matthew Stewart Onorato**, Jacksonville, FL (US)
- (73) Assignee: **GEM Products, Inc.**, Orange Park, FL (US)
- (\*\*) Term: **15 Years**
- (21) Appl. No.: **29/554,299**
- (22) Filed: **Feb. 10, 2016**
- (51) **LOC (10) Cl.** ..... **08-07**
- (52) **U.S. Cl.**  
USPC ..... **D8/336**; D8/331; D8/339
- (58) **Field of Classification Search**  
USPC ..... D8/330, 331, 336, 339, 343, 349, 350, D8/354, 382, 400, 300, 301, 302; 70/14, 70/51, 52, 57, 57.1, 67, 69, 78, 85, 86, 70/88, 141, 262, 263, 431, 218, 221, 203; 292/32, 358, 359, DIG. 68, DIG. 30, 137, 292/106, 108, 336.3  
CPC ..... E05B 3/00; E05B 9/00; E05B 2009/004; E05B 47/00; E05B 55/00; E05B 15/00; E05C 7/00; E05C 19/08  
See application file for complete search history.

- 8,720,476 B2 \* 5/2014 Lee ..... E21B 33/062 137/315.41
- 8,931,813 B2 \* 1/2015 Juga ..... E05B 13/004 292/194
- 8,931,815 B2 \* 1/2015 Tang ..... E05C 17/32 292/251.5
- 8,939,476 B2 \* 1/2015 Tang ..... E05C 17/32 292/251.5
- 8,960,705 B2 \* 2/2015 McCall ..... B60D 1/01 280/438.1
- D727,134 S \* 4/2015 Yamamoto ..... D8/331
- D740,100 S \* 10/2015 Alfredsson ..... D8/330
- 9,302,851 B2 \* 4/2016 Esser ..... B60R 11/00
- D769,102 S \* 10/2016 Euchner ..... D8/331

\* cited by examiner

*Primary Examiner* — Prabhakar Deshmukh  
(74) *Attorney, Agent, or Firm* — Seyfarth Shaw LLP

(57) **CLAIM**

The ornamental design for a rotating latch, as shown and described.

**DESCRIPTION**

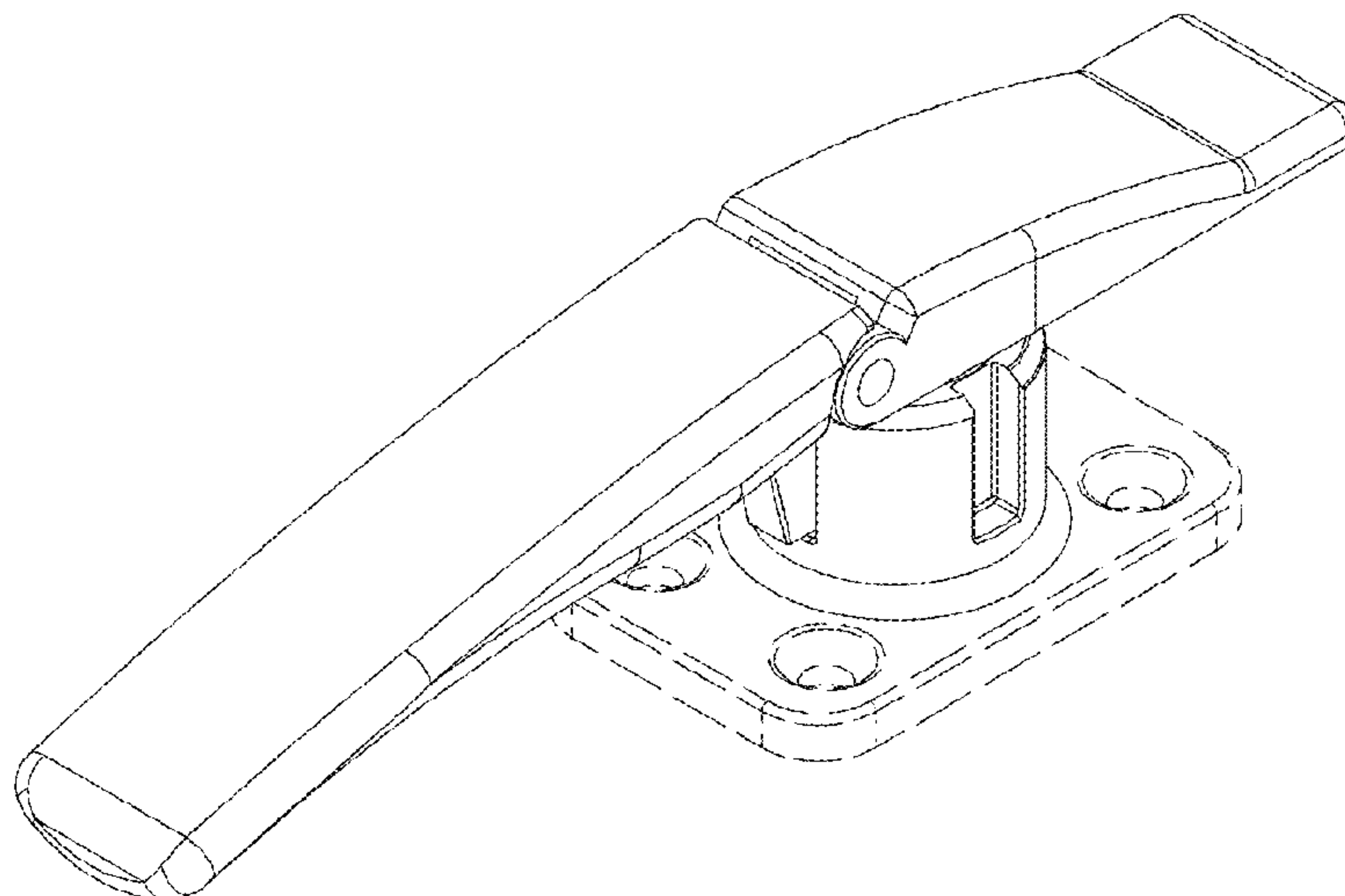
FIG. 1 is a top, front, right perspective view of a rotating latch showing my new design;  
 FIG. 2 is a top, rear, right perspective view thereof;  
 FIG. 3 is a bottom, front, right perspective view thereof;  
 FIG. 4 is a bottom, rear, right perspective view thereof;  
 FIG. 5 is a front elevational view thereof;  
 FIG. 6 is rear elevational view thereof;  
 FIG. 7 is a top plan view thereof;  
 FIG. 8 is a bottom plan view thereof;  
 FIG. 9 is a right side elevational view thereof; and,  
 FIG. 10 is a left side elevational view thereof.  
 The broken lines illustrate environment and form no part of the claimed design.

**1 Claim, 5 Drawing Sheets**

(56) **References Cited**

**U.S. PATENT DOCUMENTS**

- 7,802,814 B2 \* 9/2010 Lagsdin ..... B60S 9/02 280/763.1
- D660,683 S \* 5/2012 Golling ..... D8/324
- D665,244 S \* 8/2012 Weinerman ..... D8/330
- D667,286 S \* 9/2012 Wu ..... D8/330



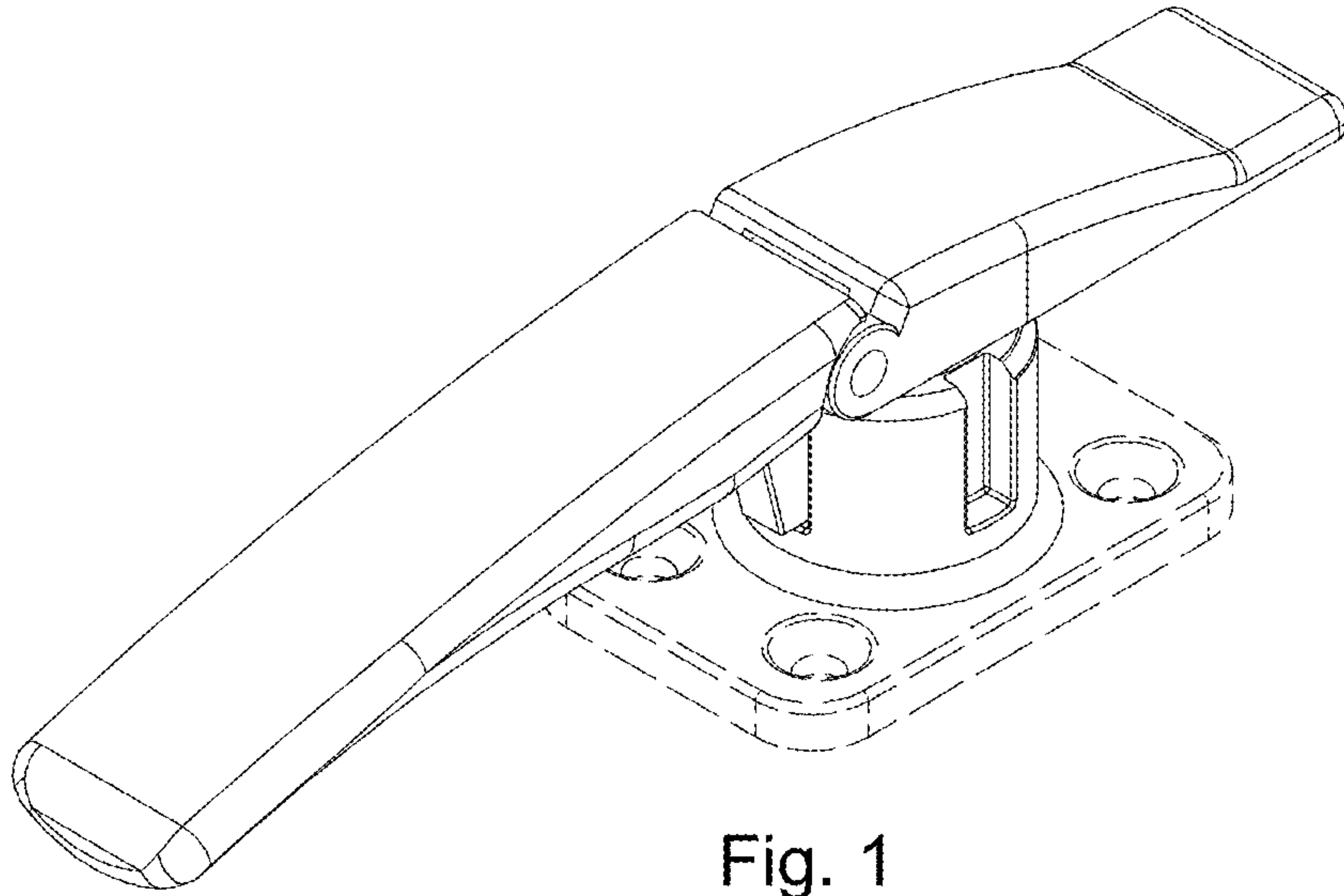


Fig. 1

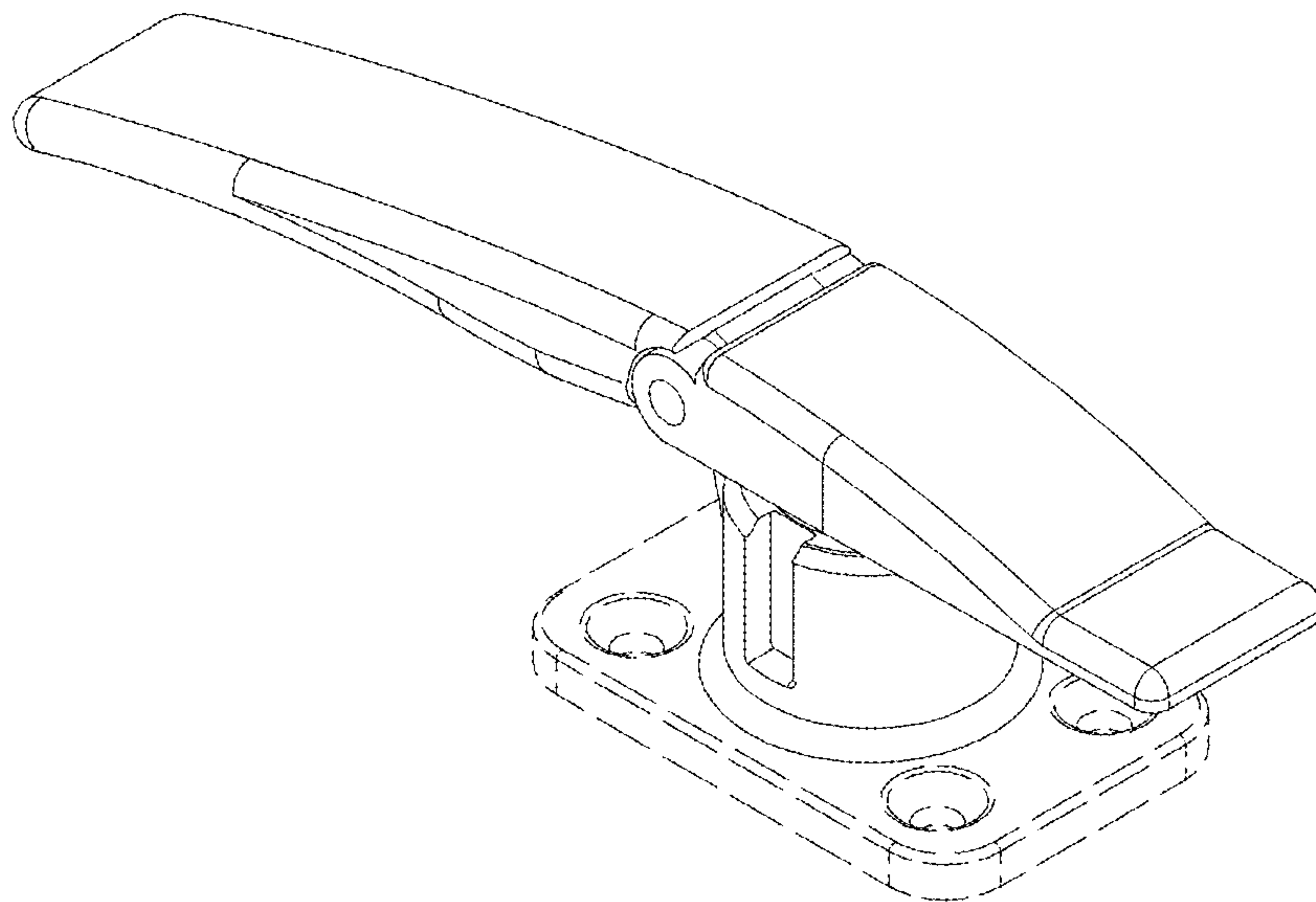


Fig. 2

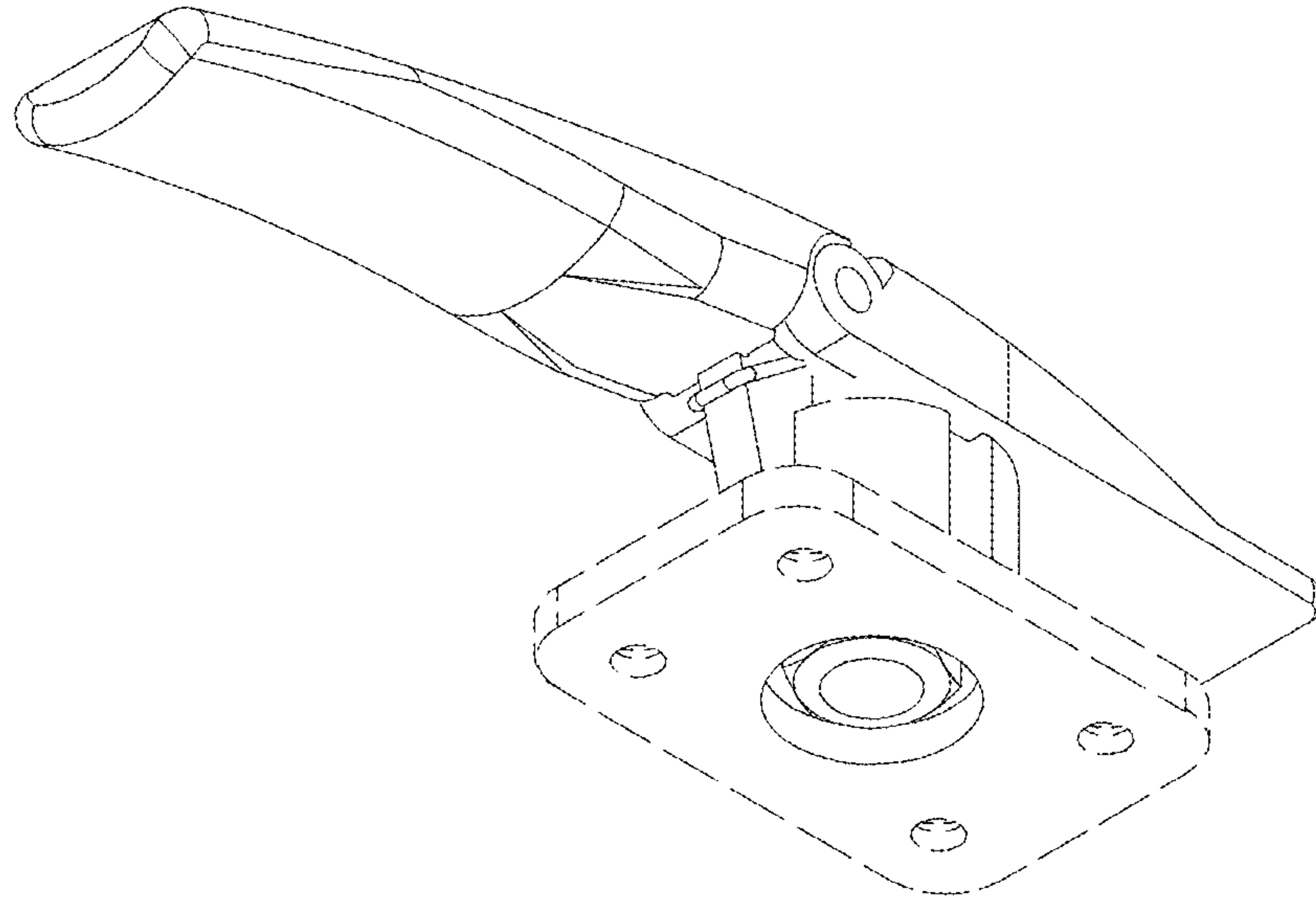


Fig. 3

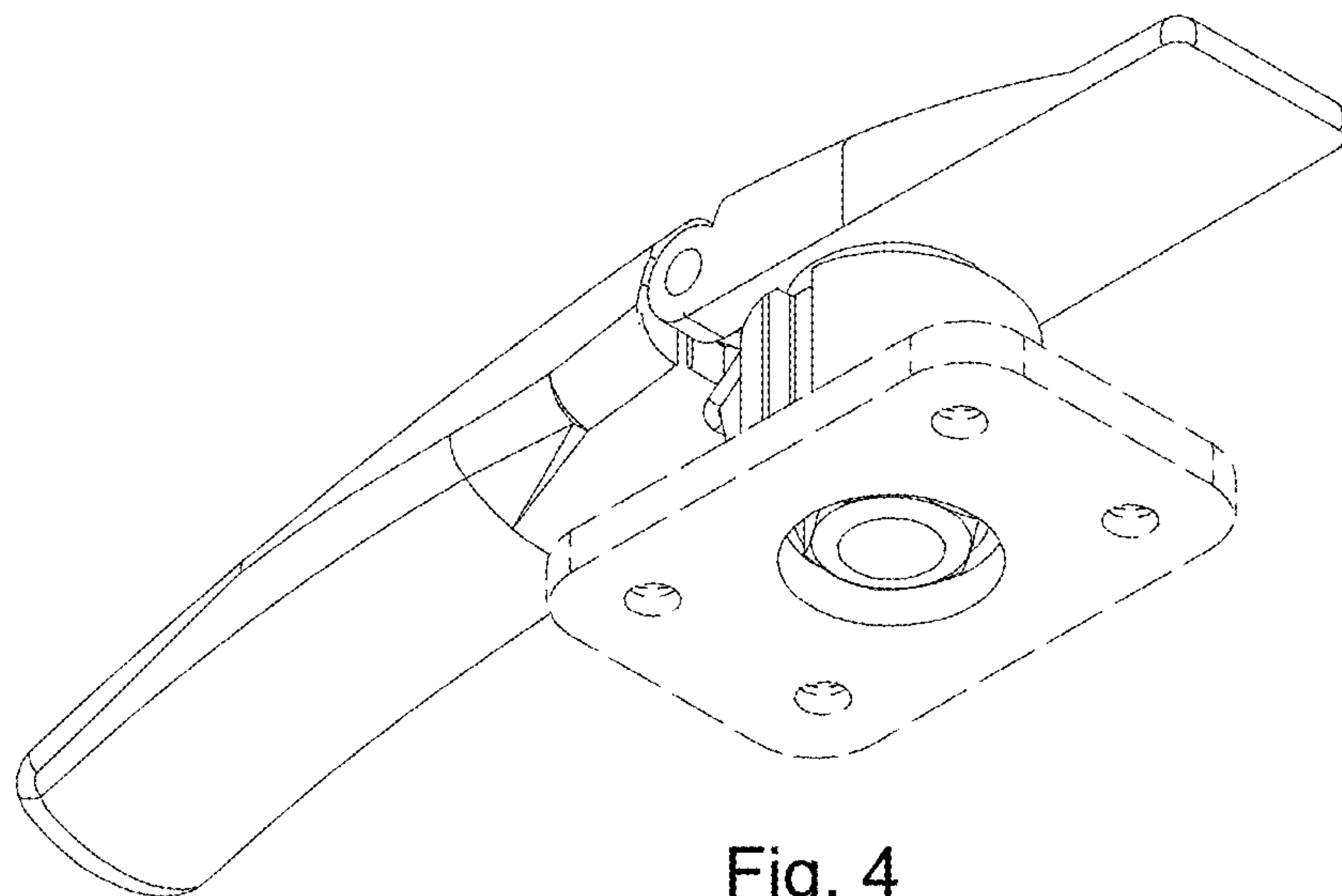


Fig. 4

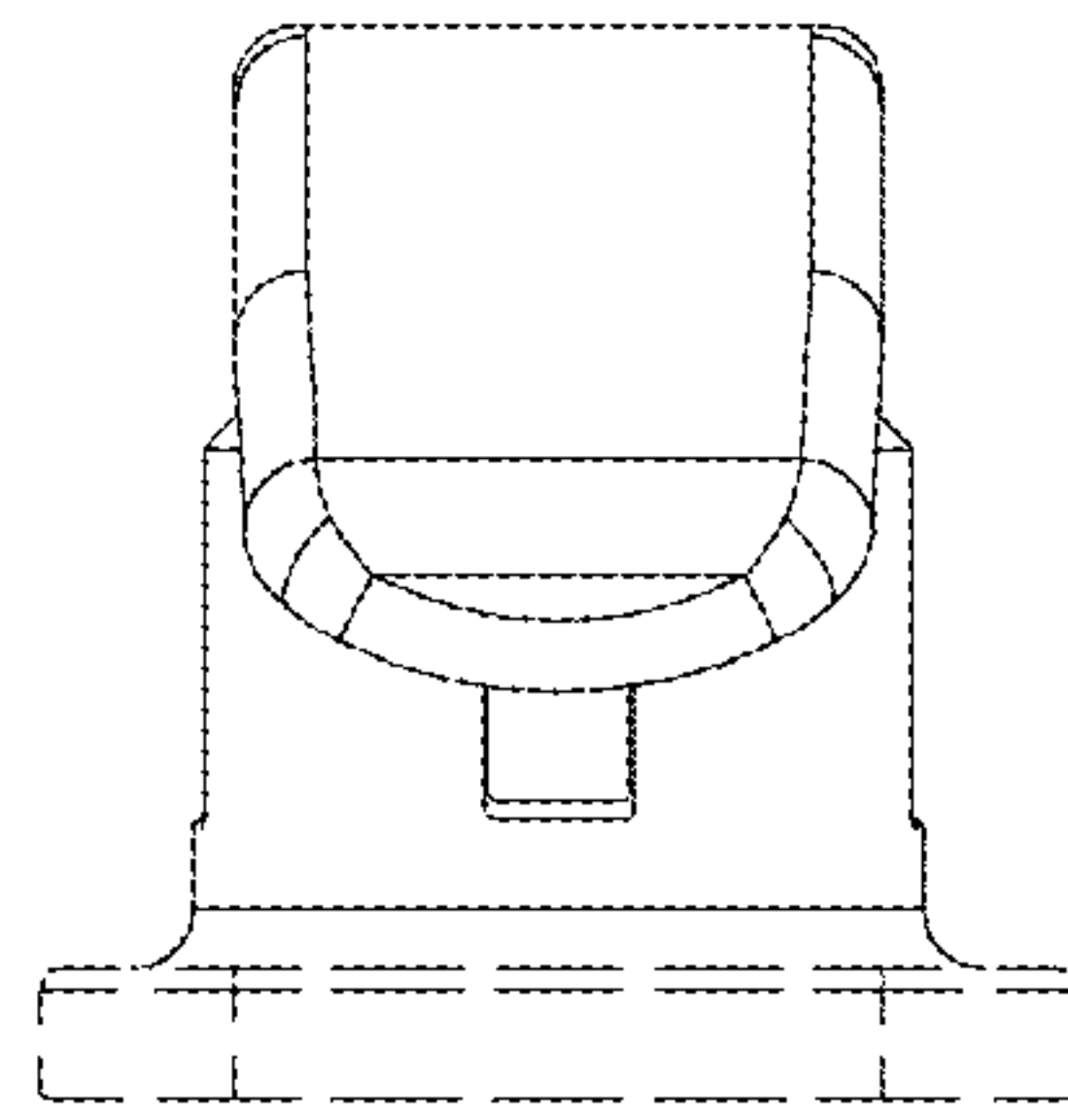


Fig. 5

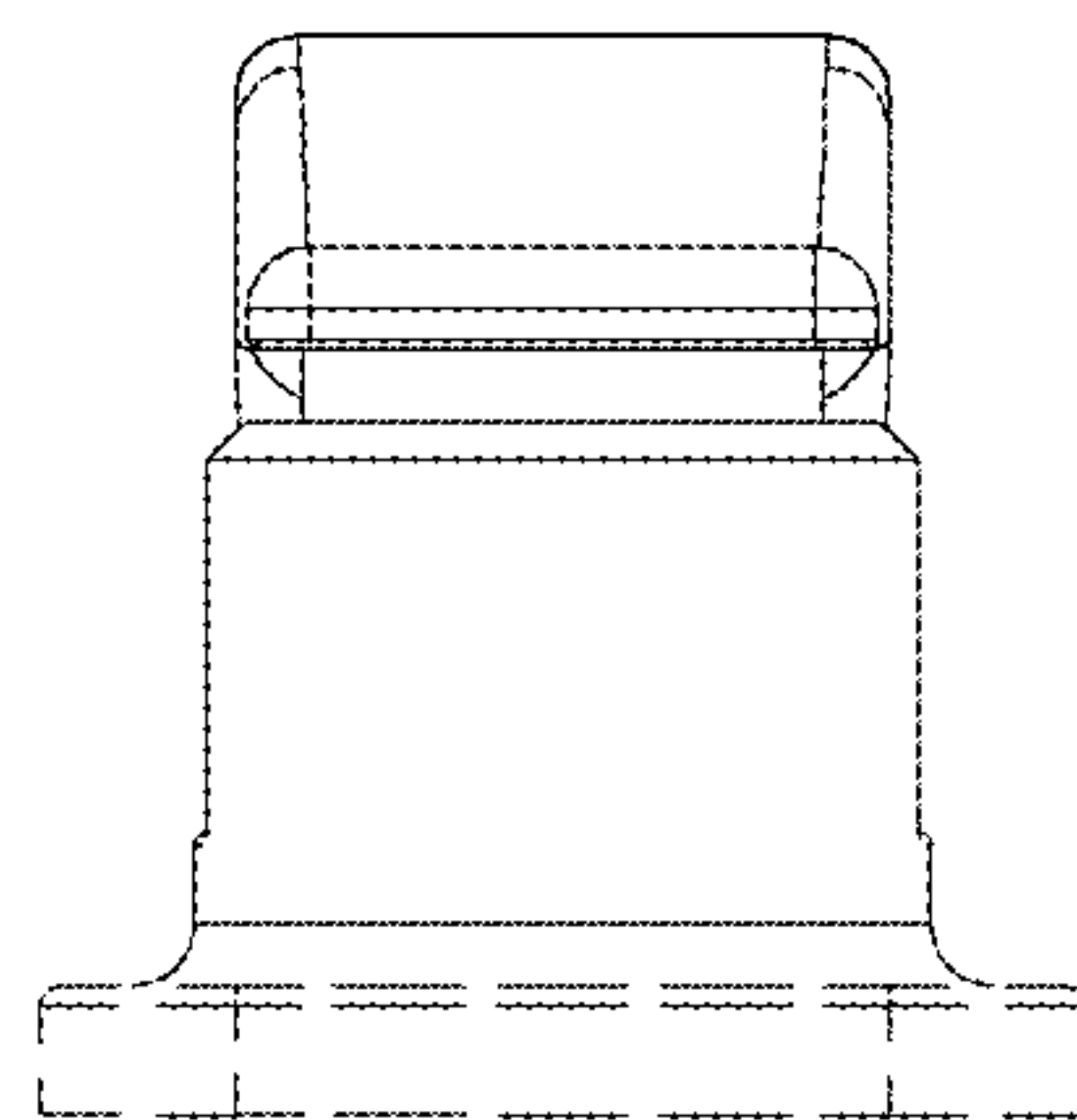


Fig. 6

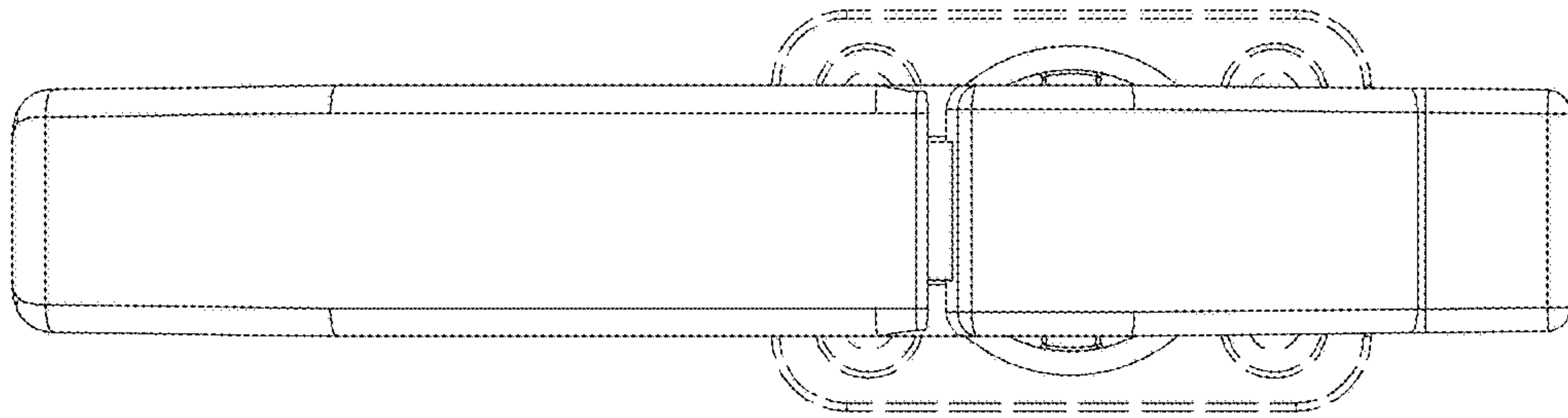


Fig. 7

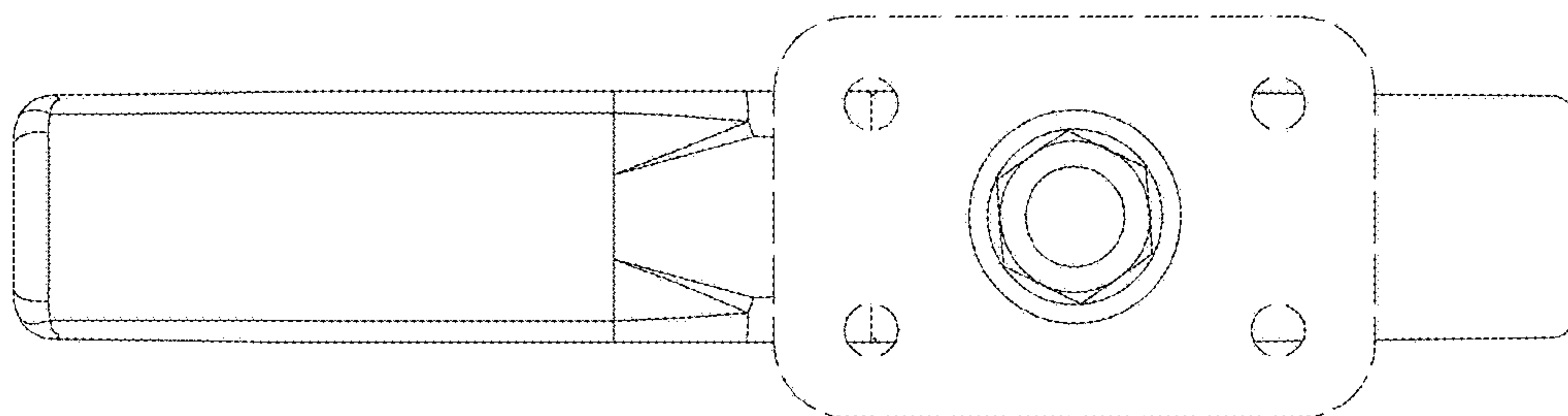


Fig. 8

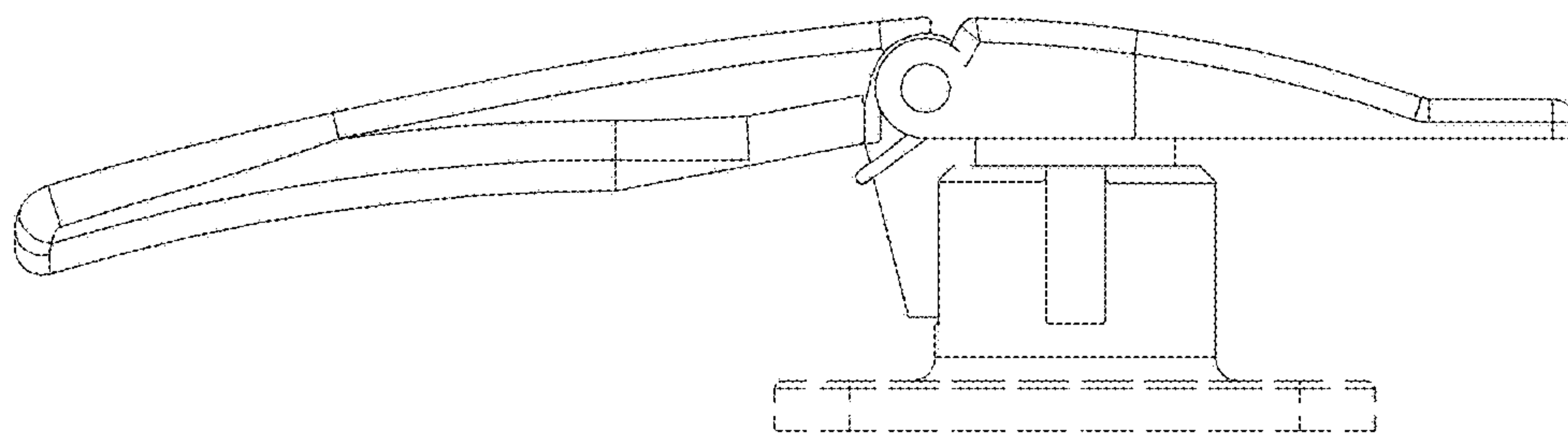


Fig. 9

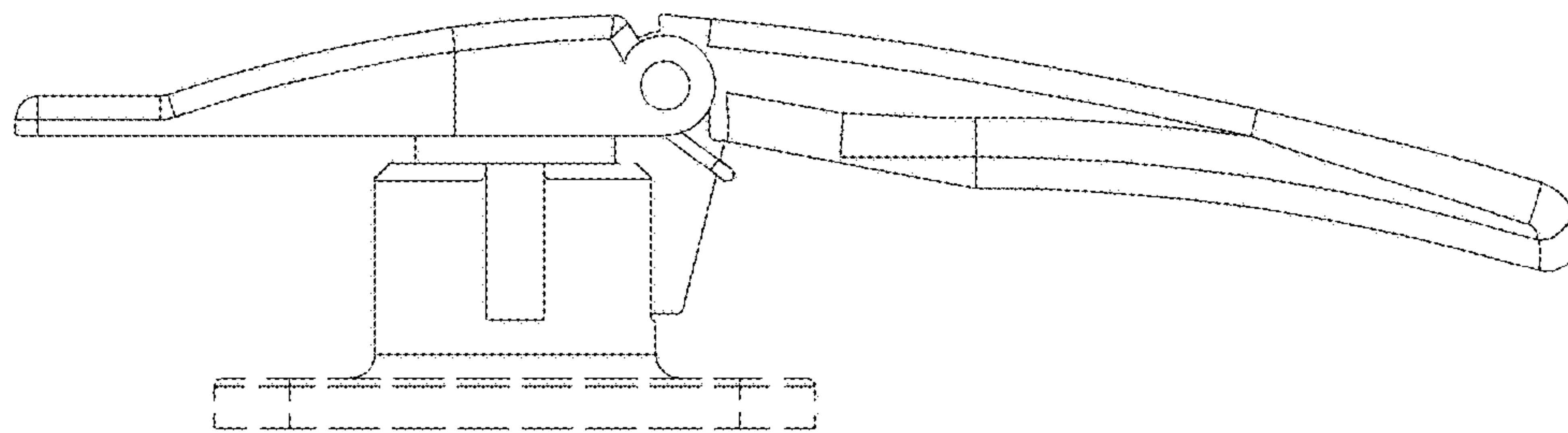


Fig. 10