



US00D784111S

(12) **United States Design Patent**  
**Gordon**

(10) **Patent No.:** **US D784,111 S**  
(45) **Date of Patent:** **\*\* Apr. 18, 2017**

- (54) **DOOR CLOSER**
- (71) Applicant: **Graham Gordon**, Brampton (CA)
- (72) Inventor: **Graham Gordon**, Brampton (CA)
- (\*\*) Term: **15 Years**
- (21) Appl. No.: **29/551,957**
- (22) Filed: **Jan. 19, 2016**
- (51) **LOC (10) Cl.** ..... **08-07**
- (52) **U.S. Cl.**  
USPC ..... **D8/330**
- (58) **Field of Classification Search**  
USPC ..... D8/330, 343; 16/49-51, 59, 62, 71, 82,  
16/DIG. 7, 79; 292/201, 144, 92, 339,  
292/DIG. 19  
CPC ..... F05F 11/24; E05F 3/04; E05F 3/14; E05F  
15/20  
See application file for complete search history.

4,675,938 A	6/1987	Bundschuh	
4,757,642 A *	7/1988	Hahn .....	E05F 1/16 16/77
4,819,295 A	4/1989	Kaftan	
4,884,369 A	12/1989	Tatham	
4,891,911 A	1/1990	Yung	
D320,545 S	10/1991	Sciarrino	
5,131,188 A	7/1992	Hutchison et al.	
5,265,306 A *	11/1993	Yu .....	E05F 3/10 16/51
D347,159 S	5/1994	Crocker, III et al.	
D348,211 S	6/1994	Crocker, III et al.	
5,502,874 A *	4/1996	Lucas .....	E05F 3/102 16/52
5,669,641 A	9/1997	Jeansonne	

(Continued)

FOREIGN PATENT DOCUMENTS

JP 54144748 11/1979  
*Primary Examiner* — Prabhakar Deshmukh  
 (74) *Attorney, Agent, or Firm* — Sand & Sebolt

(57) **CLAIM**

The ornamental design for a door closer, as shown and described.

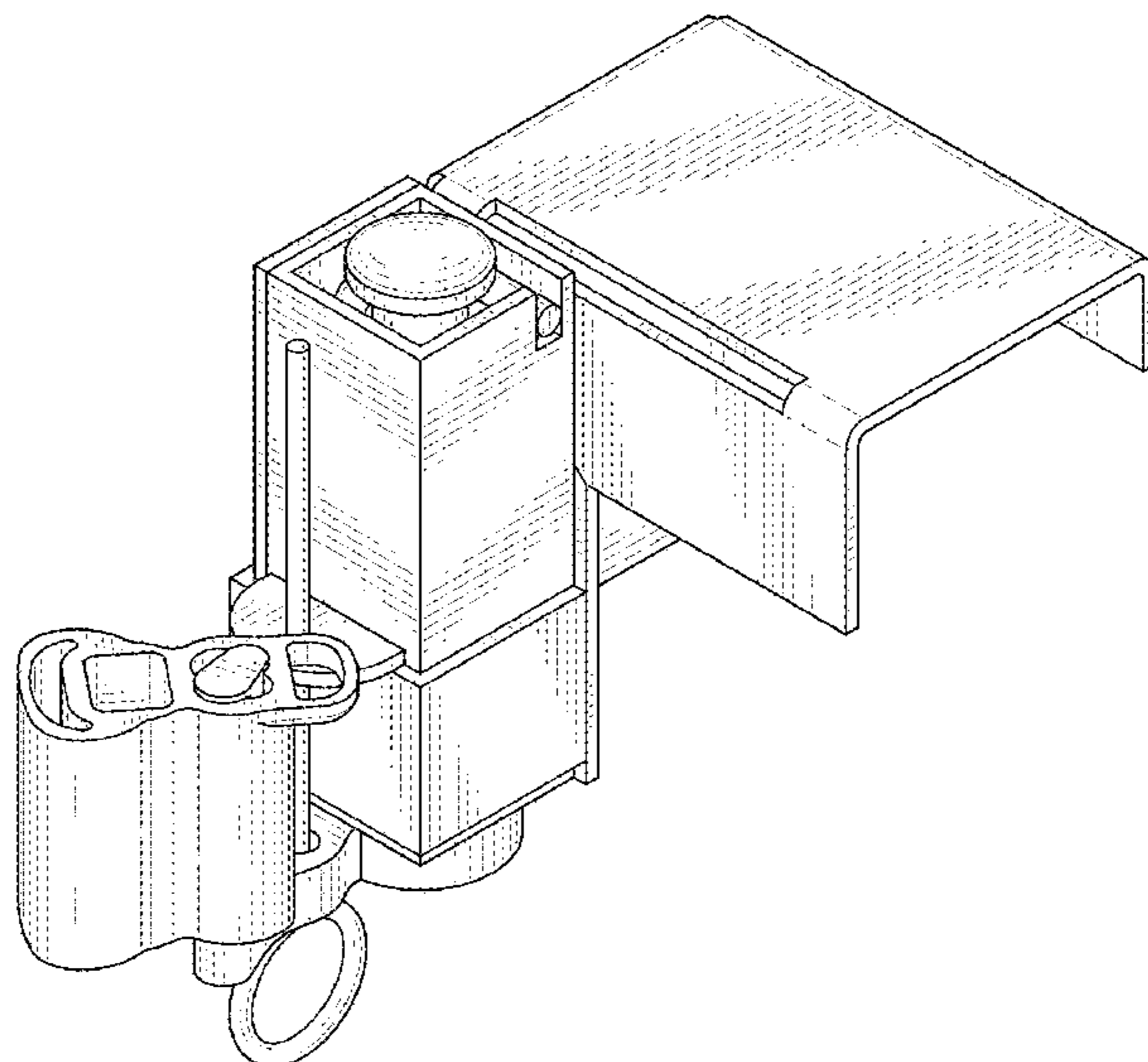
**DESCRIPTION**

FIG. 1 is a front perspective view of a door closer showing my new design;  
 FIG. 2 is a rear perspective view thereof;  
 FIG. 3 is a front elevational view thereof;  
 FIG. 4 is a rear elevational view thereof;  
 FIG. 5 is a right side elevational view thereof;  
 FIG. 6 is a left side elevational view thereof;  
 FIG. 7 is a top plan view thereof; and,  
 FIG. 8 is a bottom plan view thereof.  
 The broken lines illustrate portions of the environment in which the door closer is used and form no part of the claimed design.

**1 Claim, 8 Drawing Sheets**

(56) **References Cited**  
 U.S. PATENT DOCUMENTS

1,682,772 A	9/1928	Cahill	
D217,114 S	4/1970	Bremicker	
3,699,608 A	10/1972	Schwarz	
3,955,842 A	5/1976	Edwards	
4,003,102 A	1/1977	Hawks et al.	
4,004,372 A	1/1977	Beard et al.	
4,050,114 A *	9/1977	Zunkel .....	E05F 3/223 16/48.5
4,109,429 A	8/1978	Whisson	
4,126,912 A	11/1978	Johnson	
4,142,809 A	3/1979	Shell	
D258,489 S	3/1981	Gipson	
D258,715 S	3/1981	Gipson	
4,287,639 A	9/1981	Denton	
4,301,623 A	11/1981	Demukai	
D263,676 S	4/1982	Wahlin	
4,357,732 A	11/1982	Hickman	
4,487,439 A	12/1984	McFadden	



(56)

**References Cited**

U.S. PATENT DOCUMENTS

5,937,478	A *	8/1999	Regnier .....	E05F 1/16 16/77
6,007,119	A *	12/1999	Roth .....	E05C 19/166 292/251.5
6,125,583	A	10/2000	Murray et al.	
6,131,969	A	10/2000	Natkins	
6,135,515	A	10/2000	Roth et al.	
6,199,322	B1	3/2001	Itami et al.	
6,260,892	B1 *	7/2001	Chang .....	E05C 19/166 292/251.5
D449,774	S	10/2001	Ling	
D455,063	S	4/2002	Anderson	
6,691,465	B1	2/2004	Stephan	
6,722,715	B1	4/2004	Chiang	
D489,595	S	5/2004	Gleichauf et al.	
D504,302	S	4/2005	Wood	
D513,963	S	1/2006	Cuddy	
D531,637	S	11/2006	Chotai et al.	
7,131,355	B2	11/2006	Williams	
D565,932	S	4/2008	Koros et al.	
D571,637	S	6/2008	Littrell et al.	
7,690,486	B2	4/2010	Rhodes et al.	
D623,925	S	9/2010	Wu	
D639,138	S *	6/2011	Gordon .....	D8/330
D649,011	S *	11/2011	Gordon .....	D8/330
D750,952	S *	3/2016	Herzog .....	D8/330
D758,165	S *	6/2016	Grundy .....	D8/330
D760,060	S *	6/2016	Groleski .....	D8/330
2007/0283524	A1	12/2007	Gordon	

\* cited by examiner

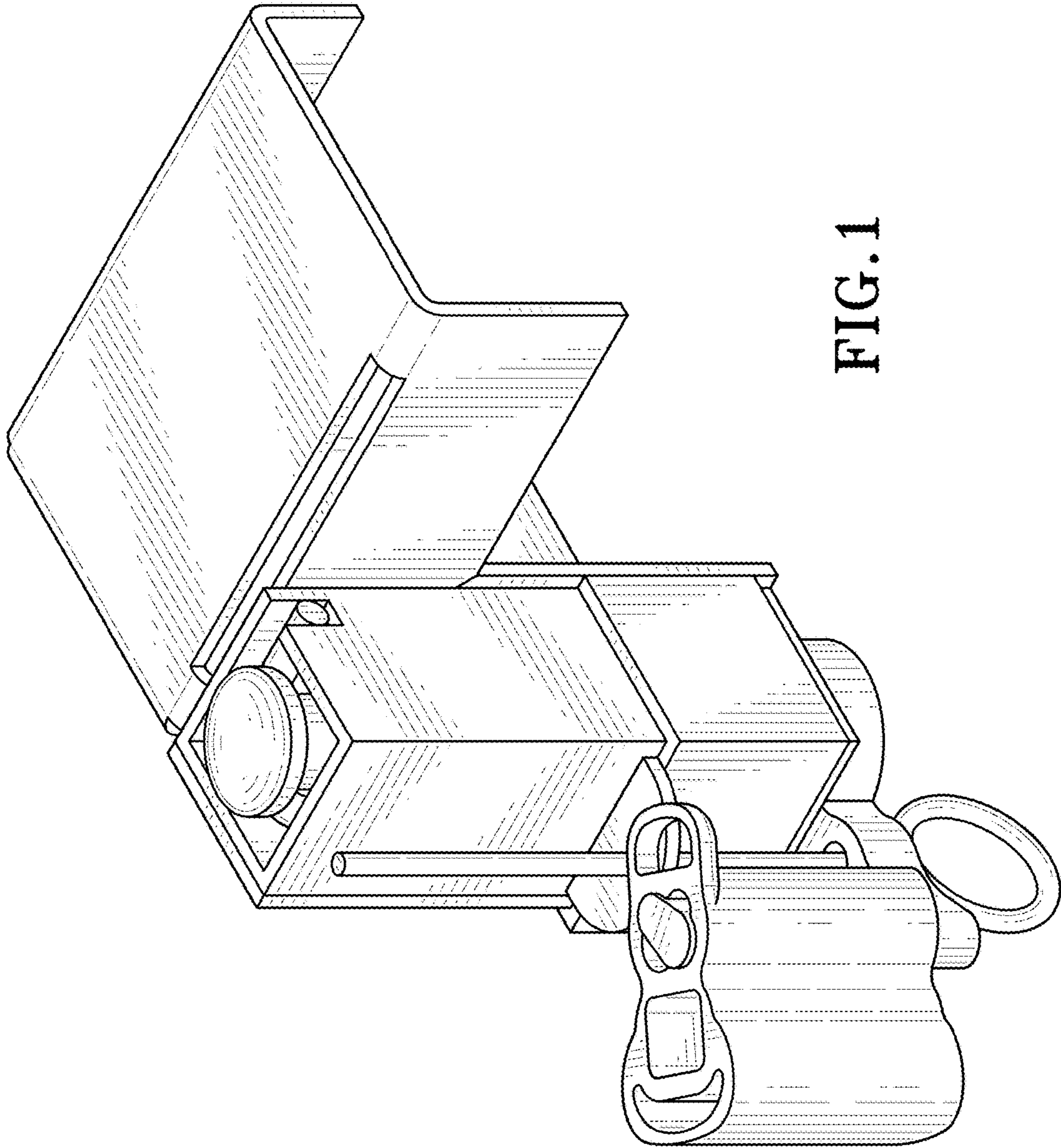


FIG. 1

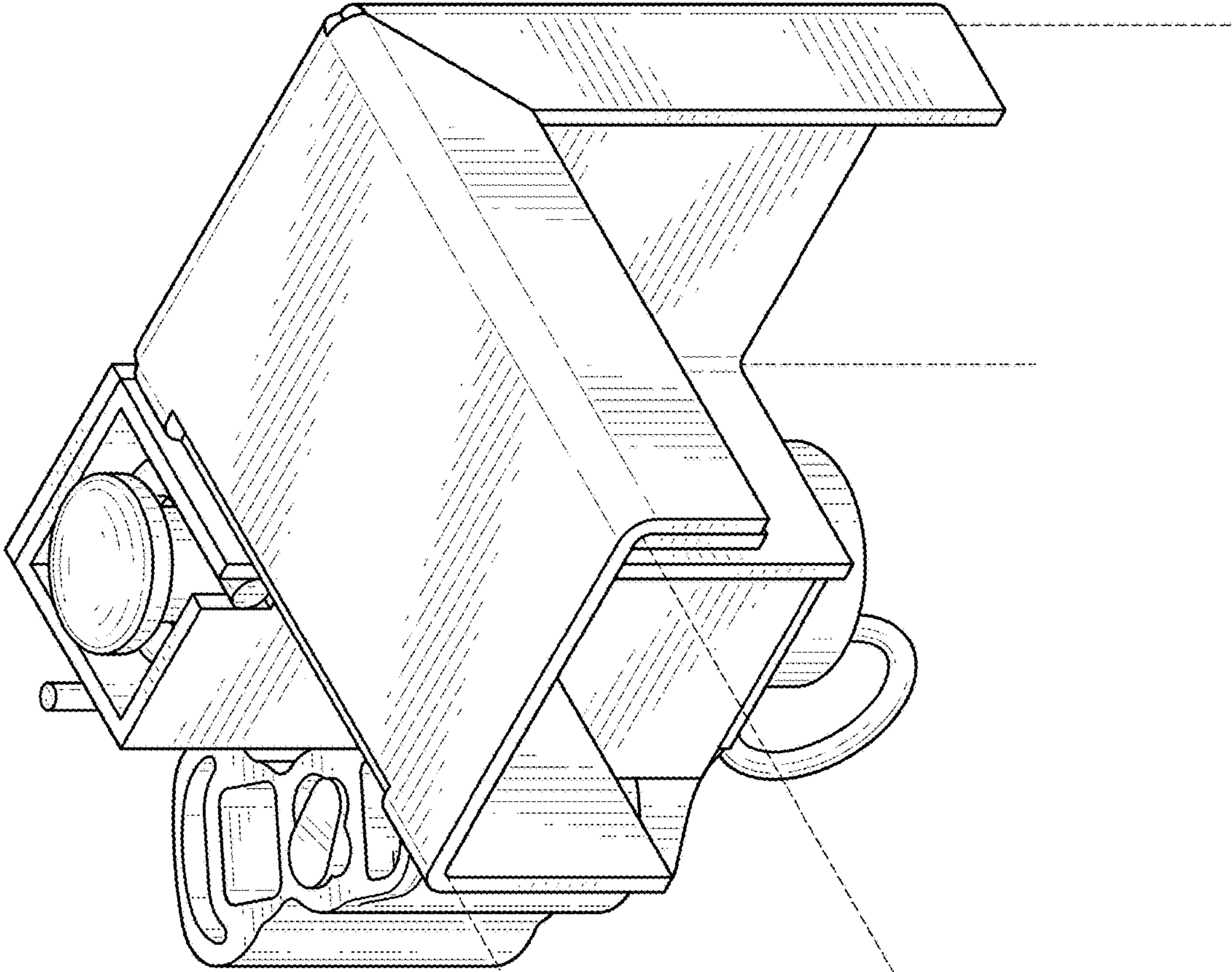


FIG. 2

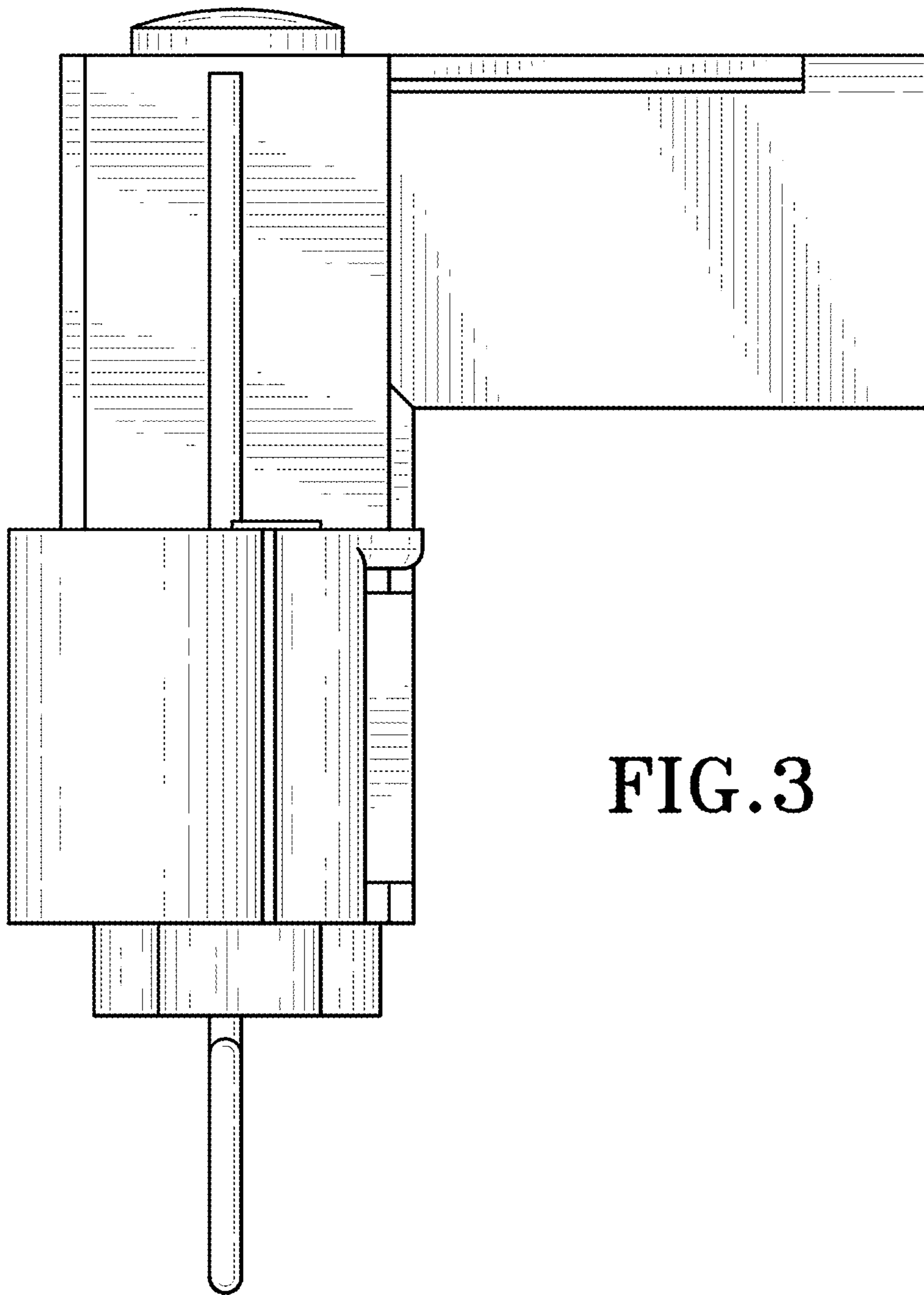
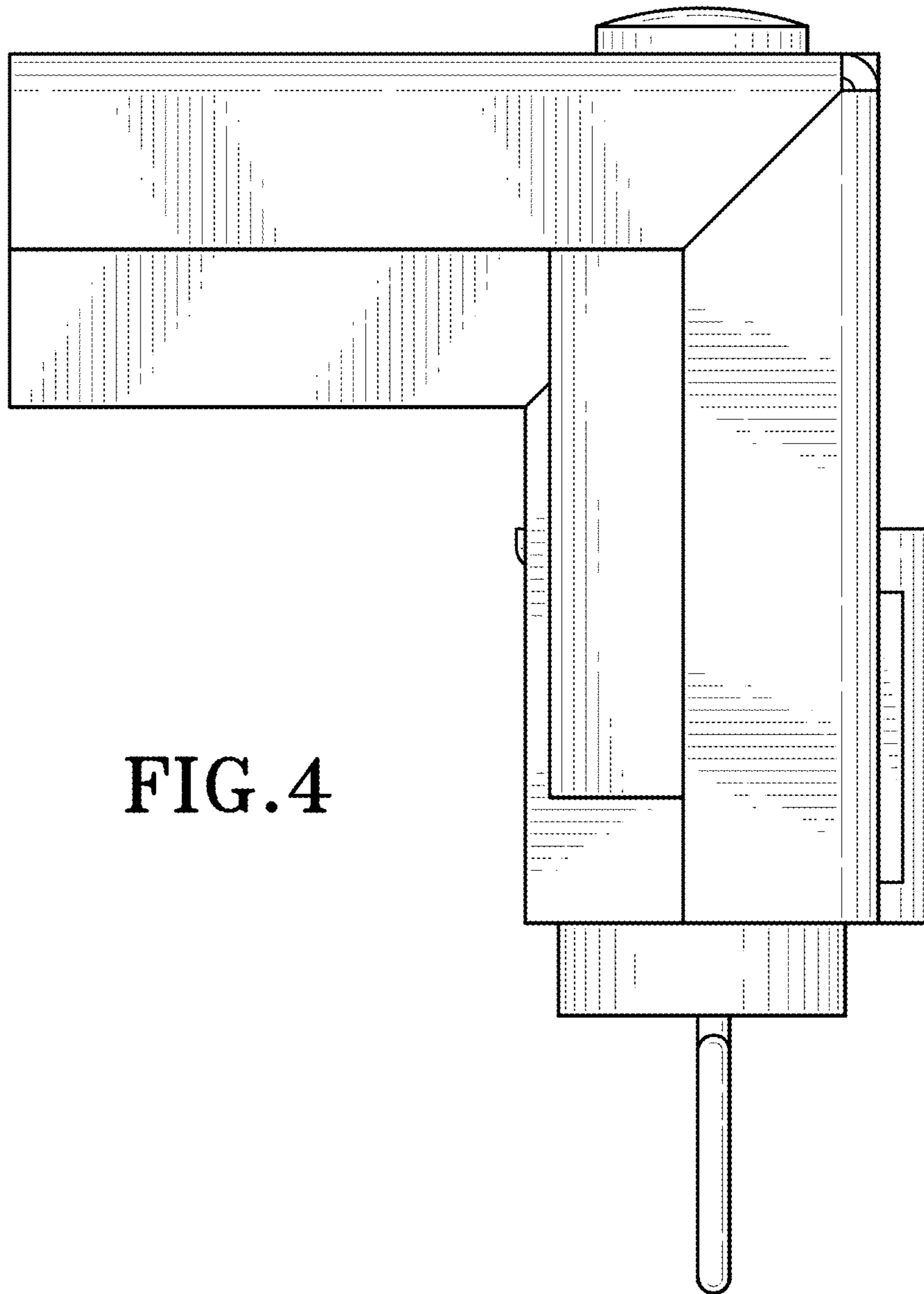


FIG. 3



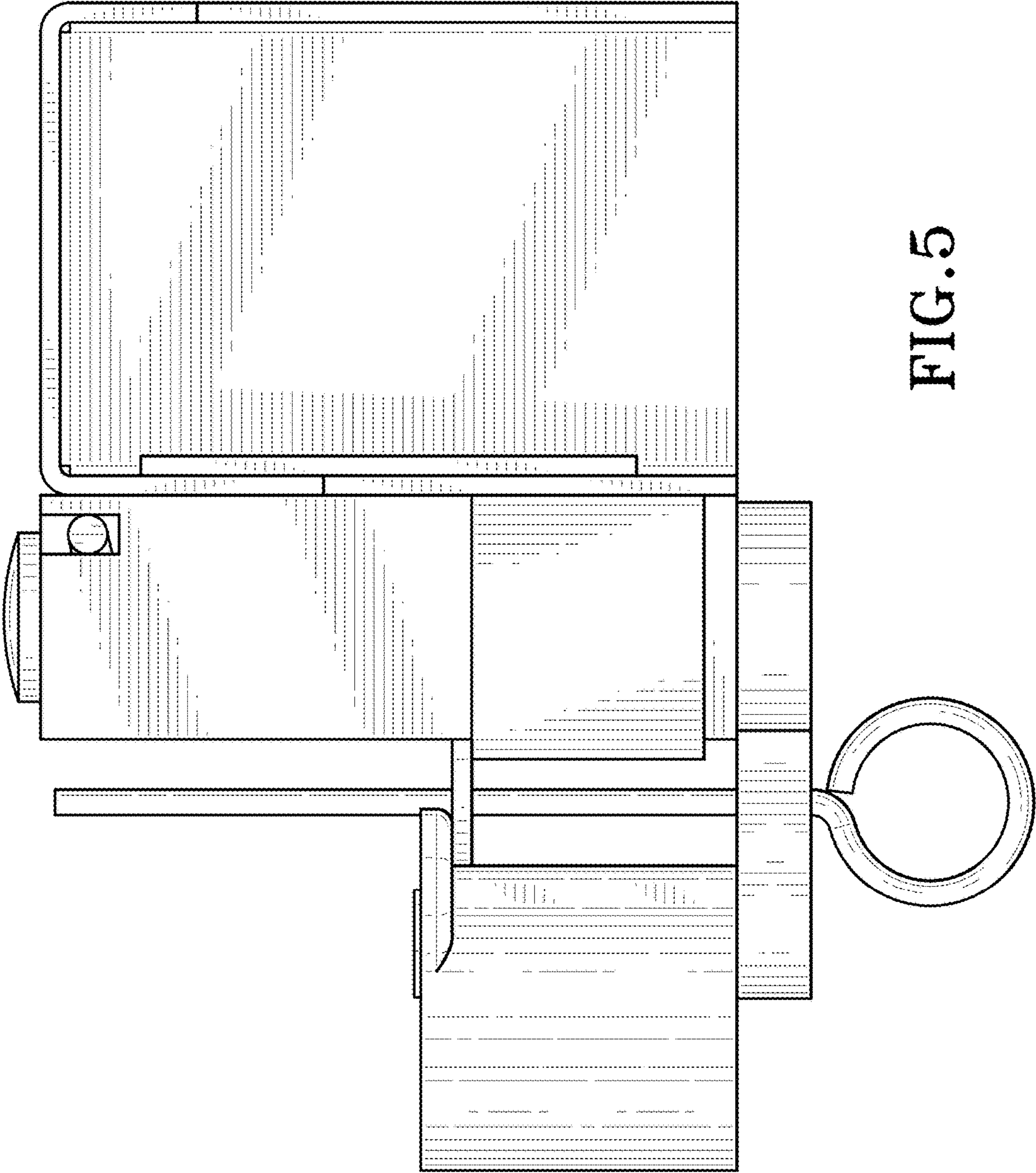


FIG. 5

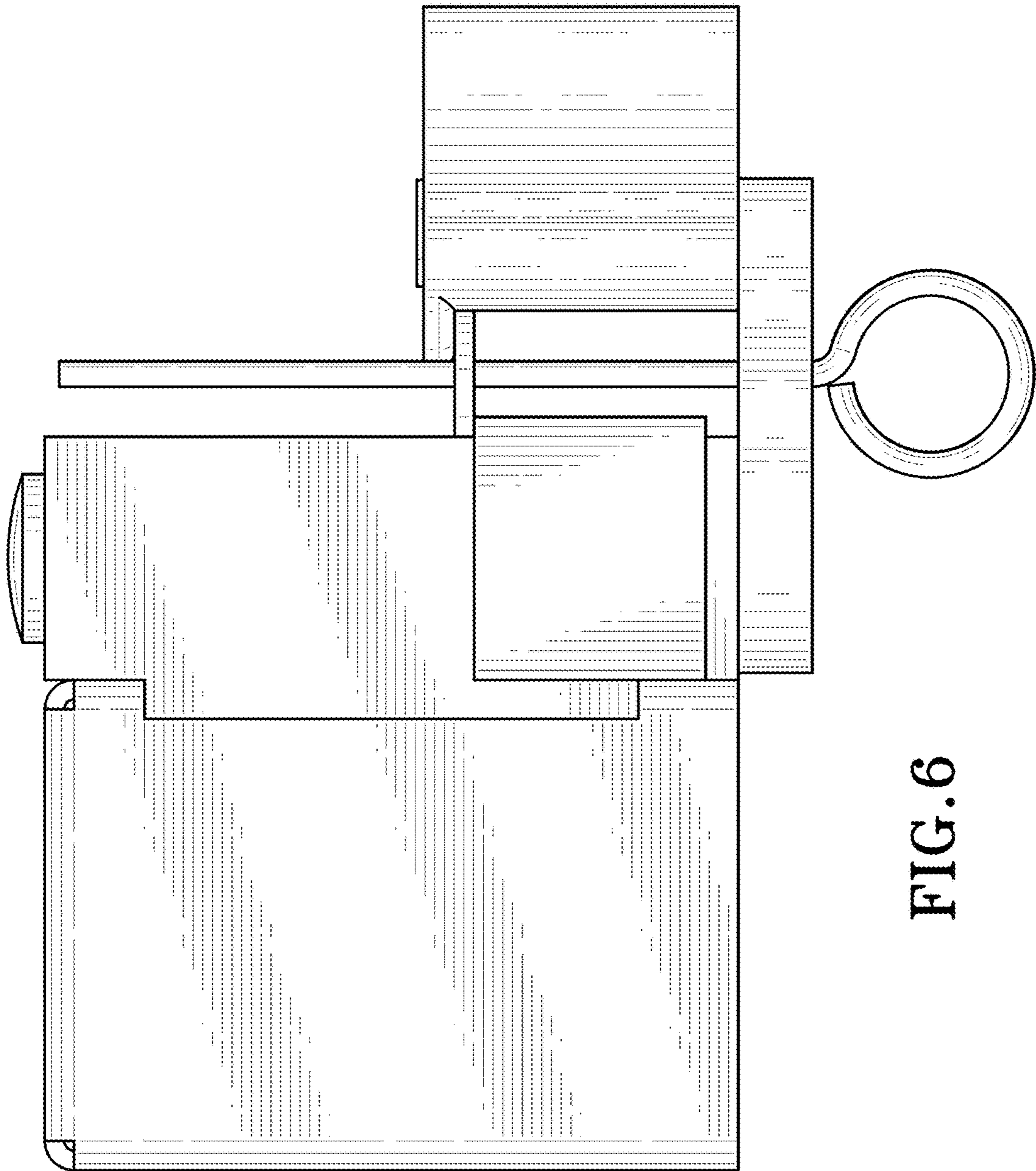


FIG. 6



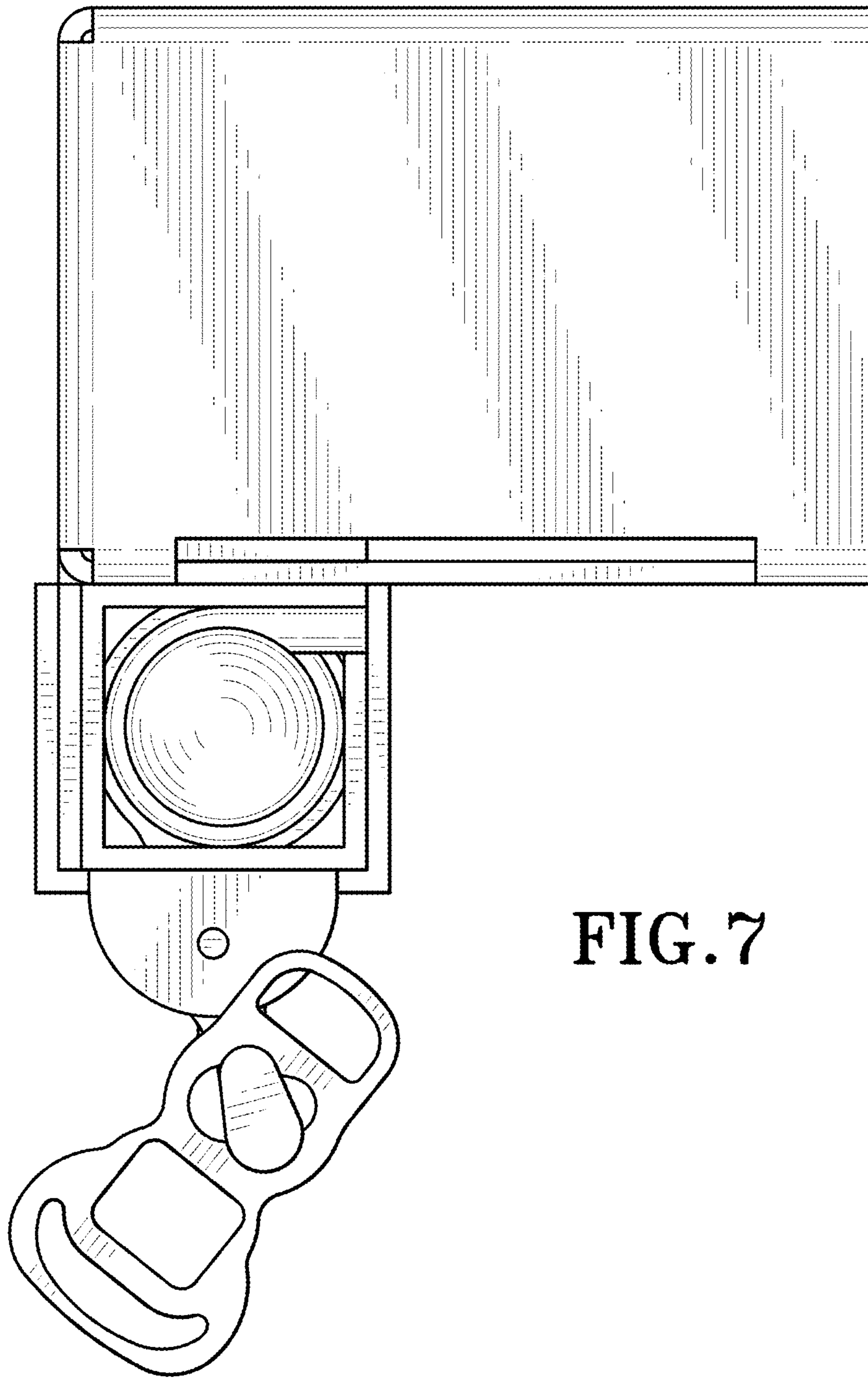


FIG. 7

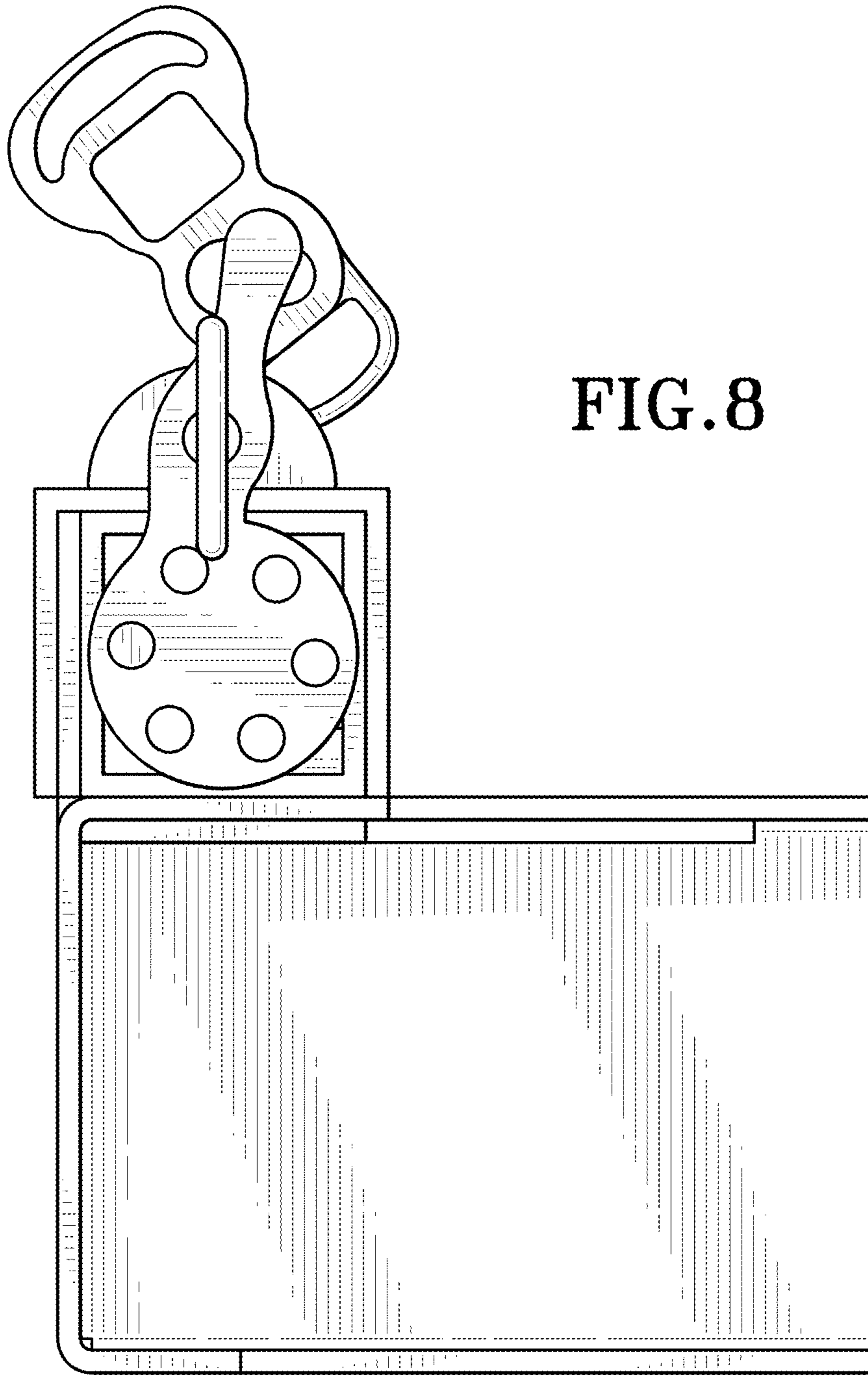


FIG. 8