



US00D784110S

(12) **United States Design Patent** (10) **Patent No.:** **US D784,110 S**
Watson (45) **Date of Patent:** **** Apr. 18, 2017**

(54) **DECORATIVE DOOR CLOSER COVER**

85/12; E05B 85/10; E05B 7/00; E05B 1/0053; E05B 77/265

(71) Applicant: **Schlage Lock Company LLC**,
Indianapolis, IN (US)

See application file for complete search history.

(72) Inventor: **Aida Kim Nishida Watson**,
Noblesville, IN (US)

(56) **References Cited**

(73) Assignee: **Schlage Lock Company LLC**,
Indianapolis, IN (US)

U.S. PATENT DOCUMENTS

(**) Term: **14 Years**

- 1,659,592 A * 2/1928 Devereaux E05B 1/00 292/347
- 2,654,115 A * 10/1953 Kafer B65D 25/282 16/421
- 2,753,911 A * 7/1956 Haslett E05B 1/0061 150/155
- 2,857,454 A * 10/1958 Bahr H01H 17/08 174/138 B

(21) Appl. No.: **29/491,940**

(22) Filed: **May 27, 2014**

(Continued)

(51) **LOC (10) Cl.** **08-06**

Primary Examiner — Derrick Holland

(52) **U.S. Cl.**

Assistant Examiner — Lauren Calve

USPC **D8/322**

(74) *Attorney, Agent, or Firm* — Taft Stettinius & Hollister LLP

(58) **Field of Classification Search**

USPC D8/300–302, 307–309, 310, 311, 321, D8/322; D23/254, 255, 257; 292/336.3, 292/347; 74/523, 543; 70/192, 201, 206, 70/207; 16/110.1, 412, 416, 430, 16/DIG. 30; D7/393, 394, 396; D3/318

CPC Y10T 16/44; Y10T 74/20612; Y10T 74/20732; Y10T 16/458; Y10T 16/498; Y10T 16/469; Y10T 16/476; Y10T 74/20744; Y10T 74/20864; Y10T 16/4628; Y10T 74/20642; Y10T 16/473; Y10T 74/20762; Y10T 74/2042; Y10T 74/20828; Y10T 16/459; Y10T 16/4713; Y10T 74/2014; Y10T 16/50; Y10T 74/20438; Y10T 74/20582; Y10T 74/20738; Y10T 16/48; Y10T 74/20618; Y10T 74/20684; Y10T 74/20624; Y10T 74/20468; Y10T 16/61; Y10T 16/4719; Y10T 16/86; Y10S 16/30; Y10S 292/31; Y10S 292/53; Y10S 16/12; Y10S 292/23; Y10S 292/27; Y10S 292/30; Y10S 292/63; E05B 85/16; E05B 1/0015; E05B 77/06; E05B 79/06; E05B 85/18; E05B

(57) **CLAIM**

The ornamental design for a decorative door closer cover, as shown and described.

DESCRIPTION

FIG. 1 is a top, right, front perspective view of a decorative door closer cover.

FIG. 2 is a bottom, left, front perspective view of the decorative door closer cover.

FIG. 3 is a front view of the decorative door closer cover.

FIG. 4 is a top view of the decorative door closer cover.

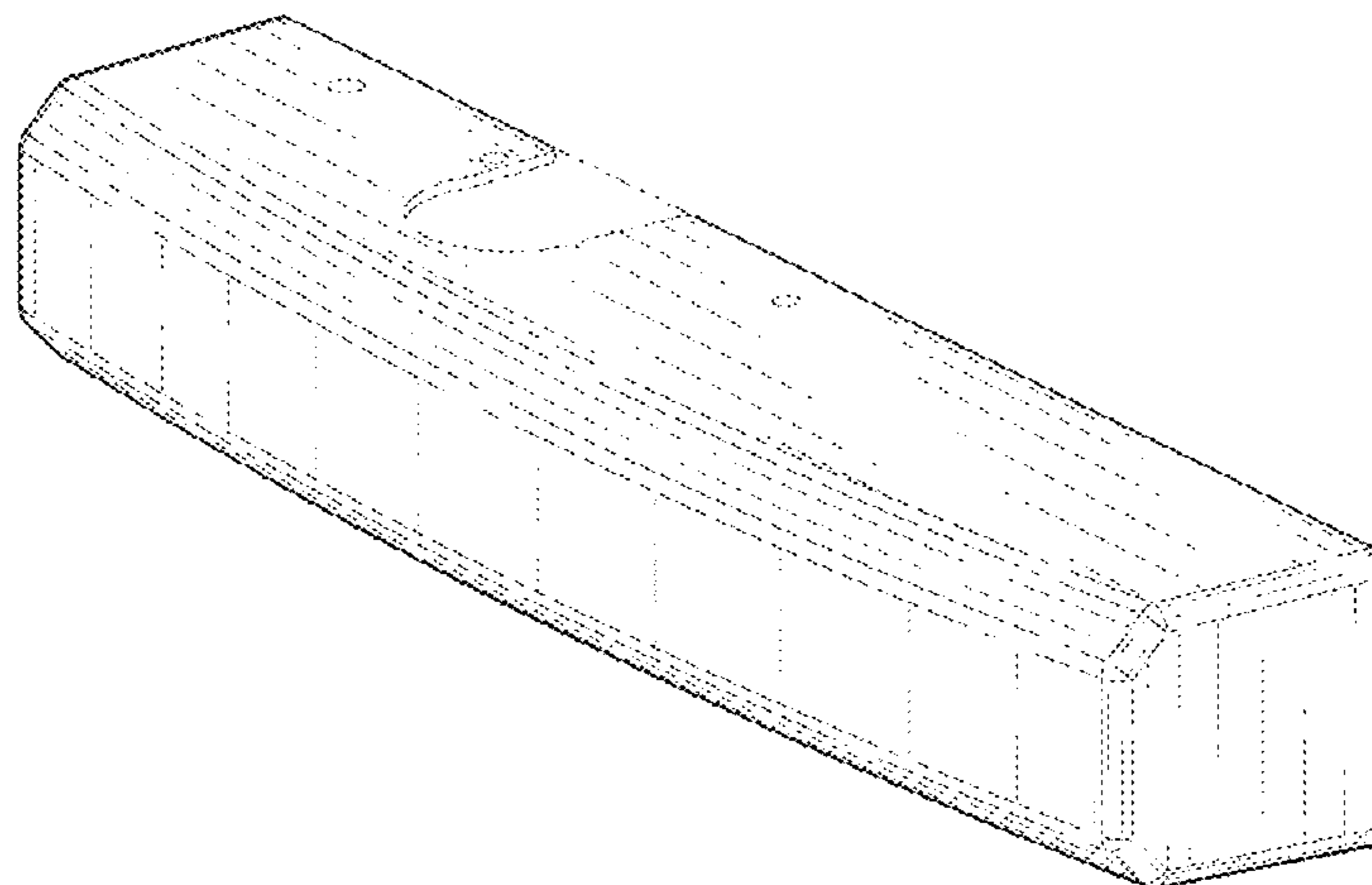
FIG. 5 is a right side view of the decorative door closer cover.

FIG. 6 is a left side view of the decorative door closer cover; and,

FIG. 7 is a bottom view of the decorative door closer cover.

The broken lines shown in the figures represent exemplary slots and apertures and form no part of the claimed design.

1 Claim, 3 Drawing Sheets



(56)

References Cited

U.S. PATENT DOCUMENTS

3,147,176 A * 9/1964 Haslam B60R 13/04
 16/86 A
 D205,214 S * 7/1966 Terrian D8/302
 3,782,149 A * 1/1974 Carter E05B 77/34
 292/DIG. 2
 D313,336 S * 1/1991 Williams D8/322
 D361,256 S * 8/1995 Vennola D8/307
 D365,513 S * 12/1995 Vetter D8/400
 D433,307 S * 11/2000 Hickman D8/302
 6,311,756 B1 * 11/2001 Anderson E06B 9/36
 160/178.1 V
 D484,787 S * 1/2004 Huml D8/400
 D497,304 S * 10/2004 Stoll D8/337
 D511,956 S * 11/2005 Elwell D8/305
 D513,696 S * 1/2006 Elwell D8/305
 7,000,439 B2 * 2/2006 DiDomenico B60R 99/00
 128/846
 D539,630 S * 4/2007 Imoto D8/107

D550,059 S * 9/2007 Witte D8/302
 7,305,738 B2 * 12/2007 Nawrocki A45C 13/28
 16/422
 7,410,076 B2 * 8/2008 Borhofen A47J 45/10
 16/425
 D649,867 S * 12/2011 Vetter D8/400
 8,720,859 B2 * 5/2014 Manvel E06B 9/326
 160/168.1 R
 2004/0134247 A1 * 7/2004 Ernst A47F 3/002
 70/257
 2006/0230576 A1 * 10/2006 Meine A47K 17/00
 16/110.1
 2011/0088438 A1 * 4/2011 Chen E05B 47/0009
 70/278.7
 2014/0150211 A1 * 6/2014 Bracey E05B 1/0069
 16/110.1
 2015/0298313 A1 * 10/2015 Geiger E05B 1/0069
 16/110.1
 2016/0130846 A1 * 5/2016 Shah E05C 1/08
 292/138

* cited by examiner

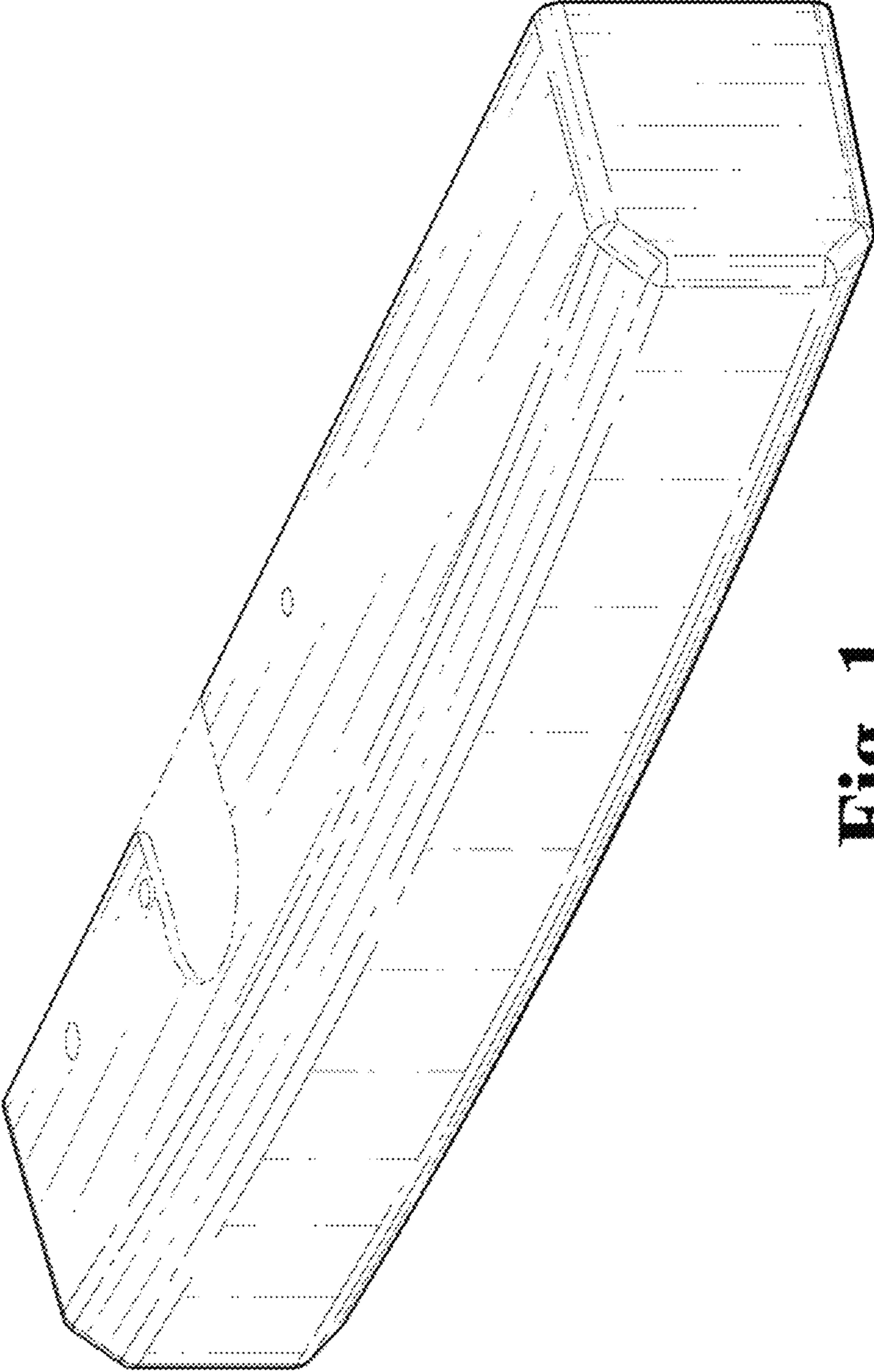


Fig. 1

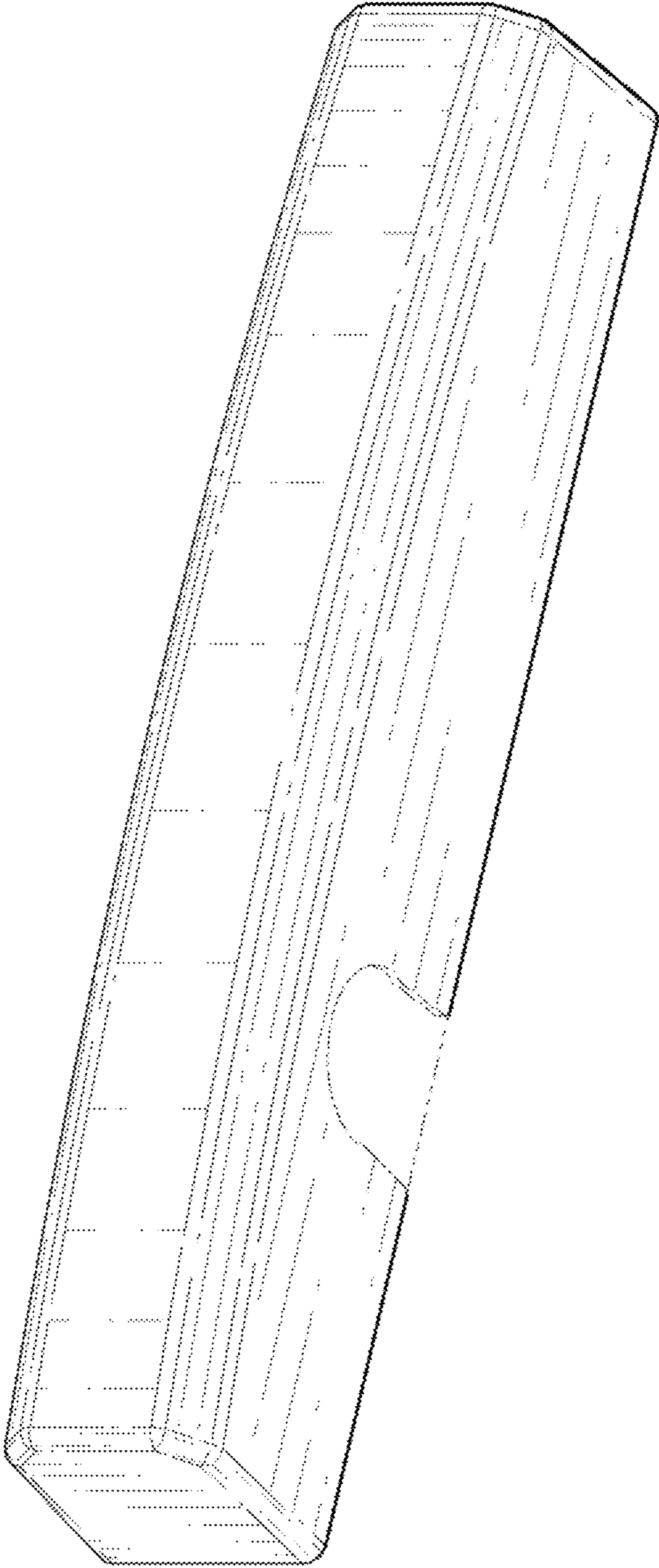


Fig. 2

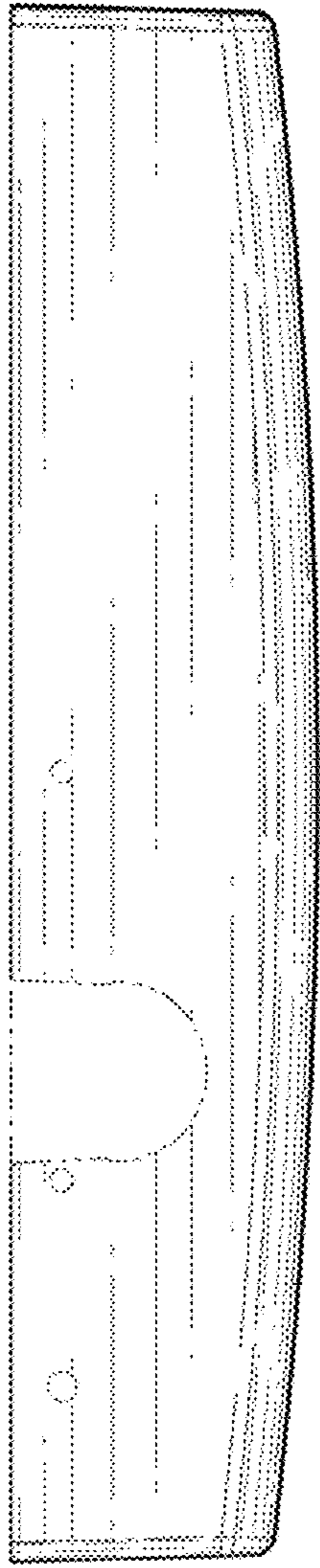


Fig. 4

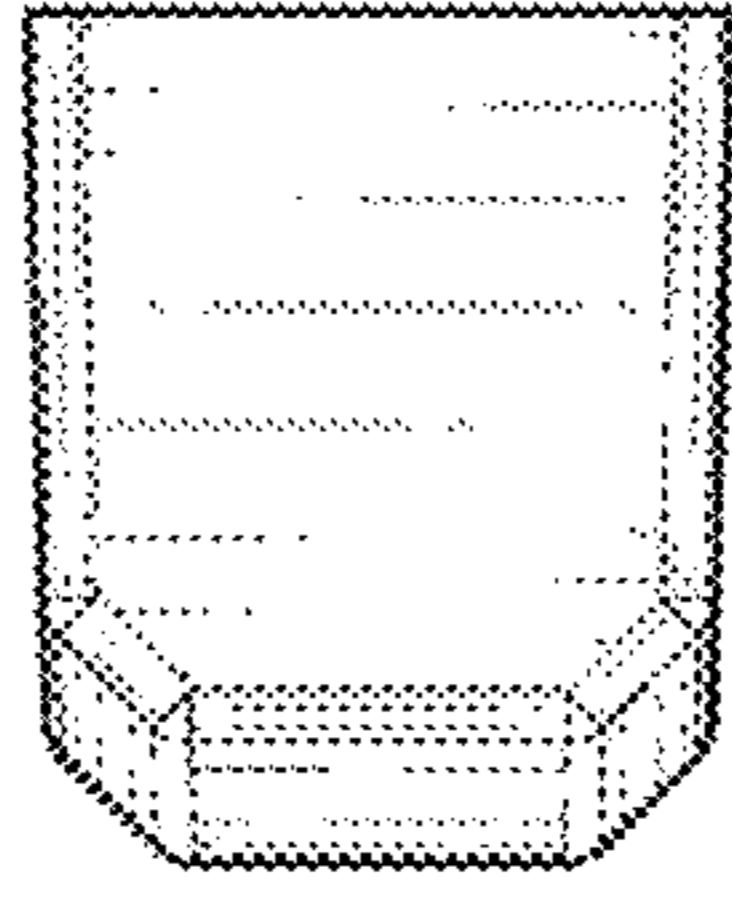


Fig. 5

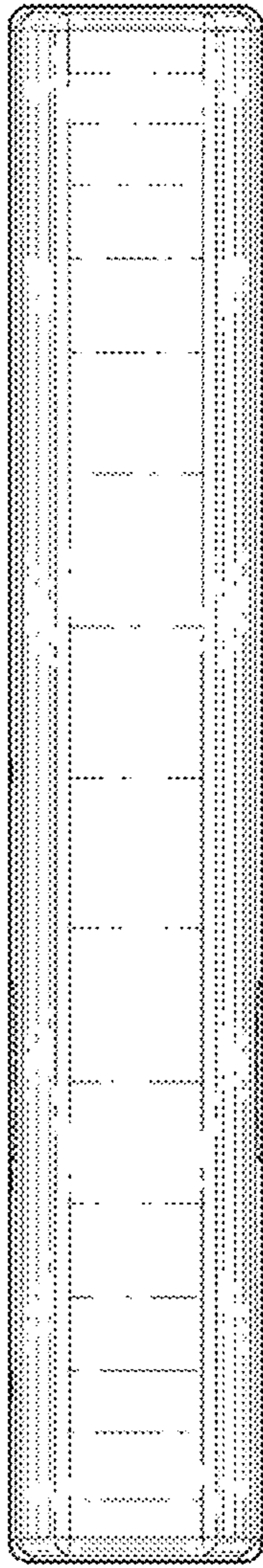


Fig. 3

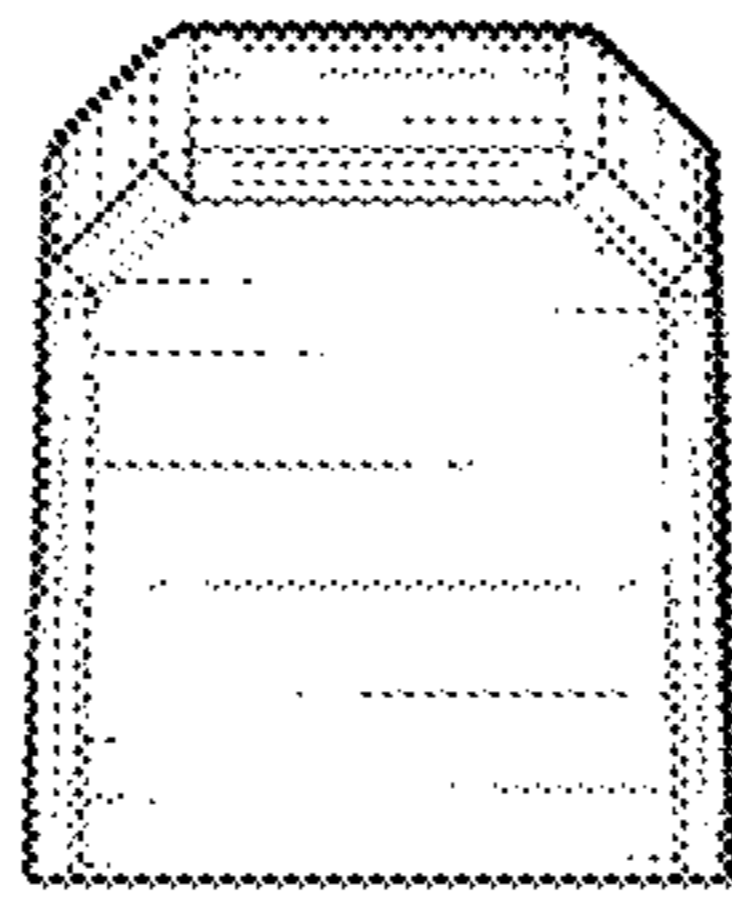


Fig. 6

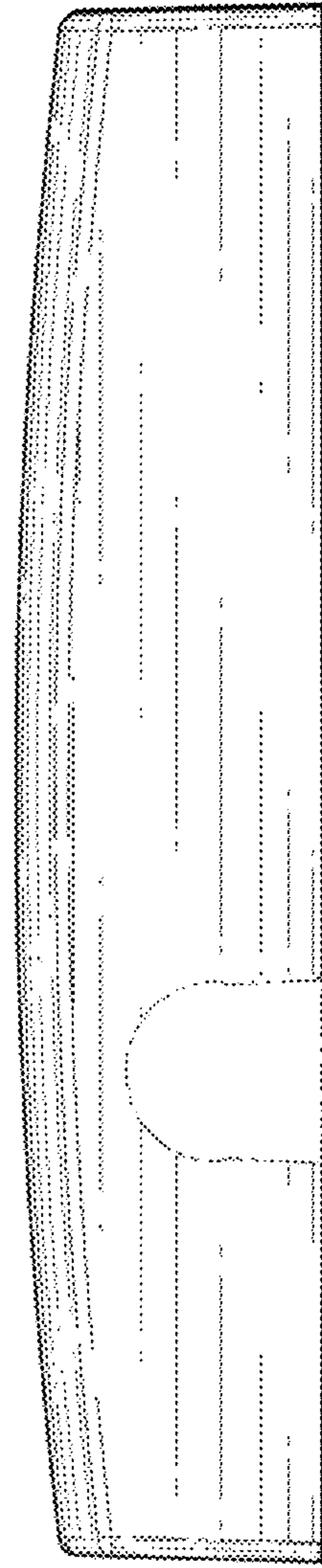


Fig. 7