



US00D784109S

(12) **United States Design Patent** (10) **Patent No.:** **US D784,109 S**
Bertani (45) **Date of Patent:** **** Apr. 18, 2017**

(54) **HANDLE**

(71) Applicant: **ELESA S.P.A.**, Milan (IT)
(72) Inventor: **Alberto Bertani**, Monza (IT)
(73) Assignee: **ELESA S.P.A.**, Milan (IT)
(**) Term: **15 Years**
(21) Appl. No.: **35/500,002**
(22) Filed: **May 15, 2015**

(80) **Hague Agreement Data**

Int. Filing Date: **May 15, 2015**
Int. Reg. No.: **DM/086484**
Int. Reg. Date: **May 15, 2015**
Int. Reg. Pub. Date: **Jun. 5, 2015**

(51) **LOC (10) Cl.** **08-06**

(52) **U.S. Cl.**
USPC **D8/315**

(58) **Field of Classification Search**

USPC D3/12, 307, 327, 328; D8/94, 97, 107,
D8/300, 301, 313, 315, 316, 363, 380,
D8/382; D6/715.1; D25/102, 55
CPC B62B 5/063; B62B 3/06; B62B 3/0612;
G05G 1/10; B25G 3/24; B25G 1/12;
Y10T 16/455; Y10T 16/4554; Y10T
16/513; Y10T 477/357; Y10T 74/20864;
Y10T 16/498; Y10T 16/50; Y10T
292/1041

See application file for complete search history.

(56) **References Cited**

U.S. PATENT DOCUMENTS

D361,255 S * 8/1995 Crinion D8/301
D455,161 S * 4/2002 Choi D15/89
D506,377 S * 6/2005 Marzolf D8/300
D511,956 S * 11/2005 Elwell D8/305
D513,694 S * 1/2006 Vitkauskas D8/300
D516,406 S * 3/2006 Brammer, Jr. D8/300
D531,876 S * 11/2006 Jimenez D8/107
D629,275 S * 12/2010 Schmidt D8/300
D672,219 S * 12/2012 Blanski D8/302
D677,143 S * 3/2013 Blanski D8/302
D678,748 S * 3/2013 Meeks D8/301
2007/0283527 A1 * 12/2007 Cheng G06F 1/18
16/114.1

* cited by examiner

Primary Examiner — Barbara Fox

Assistant Examiner — Eliza Bennett-Hattan

(74) *Attorney, Agent, or Firm* — Pearne & Gordon LLP

(57) **CLAIM**

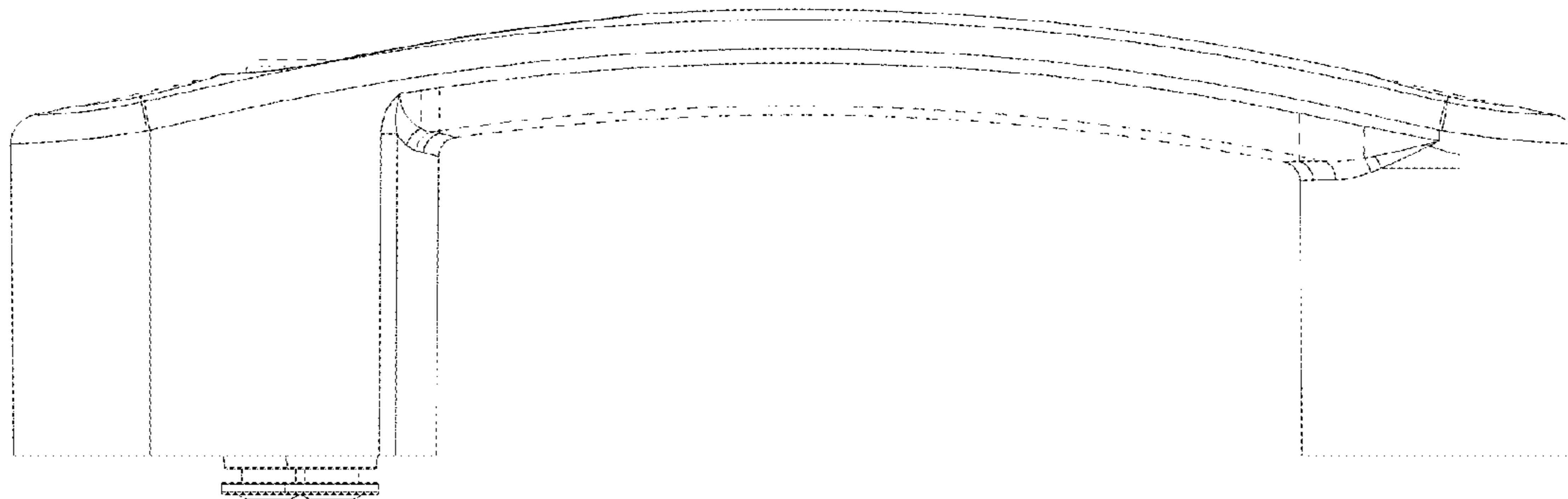
The ornamental design for handle, as shown and described.

DESCRIPTION

- 1. Handle
- 1.1 : Bottom
- 1.2 : Front
- 1.3 : Left
- 1.4 : Right
- 1.5 : Top

The broken lines are for the purpose of illustrating portions of the handle that form no part of the claimed design.

1 Claim, 5 Drawing Sheets



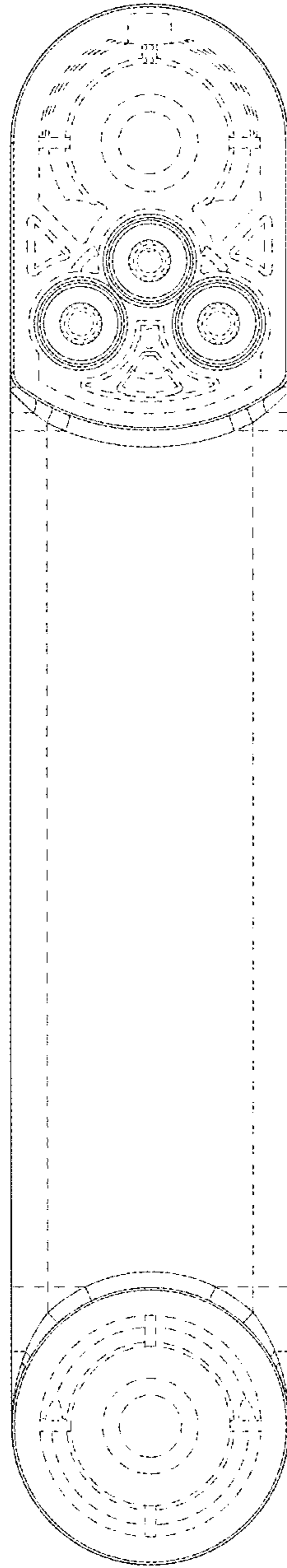


FIG. 1.1

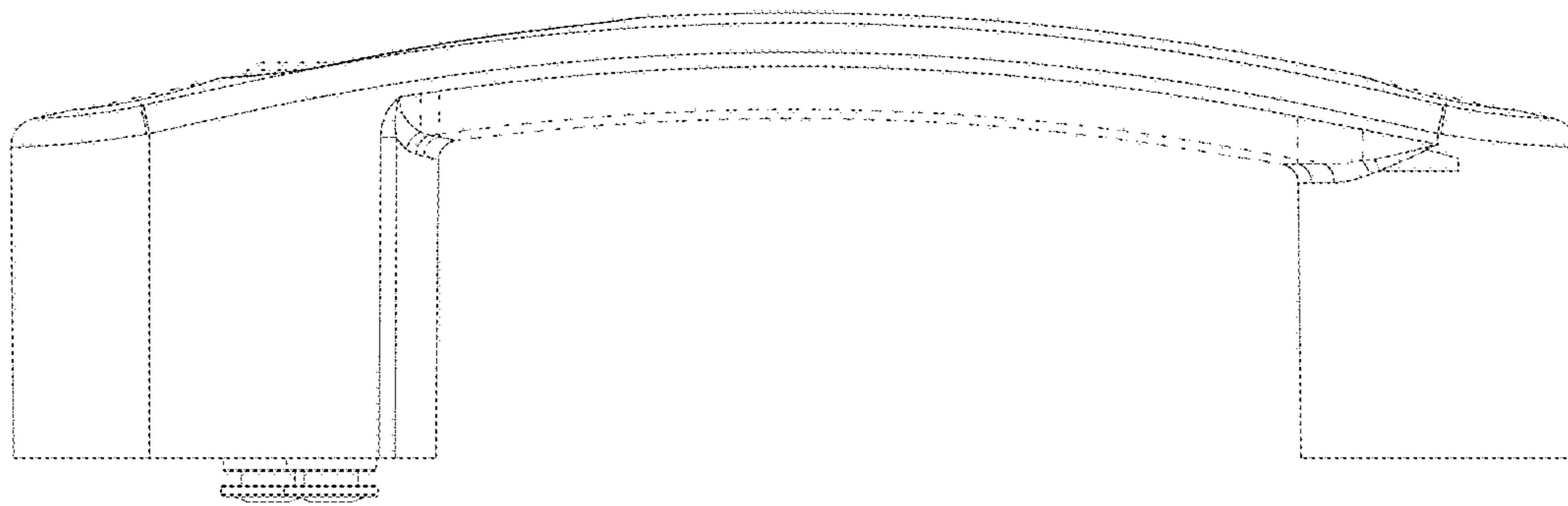


FIG. 1.2

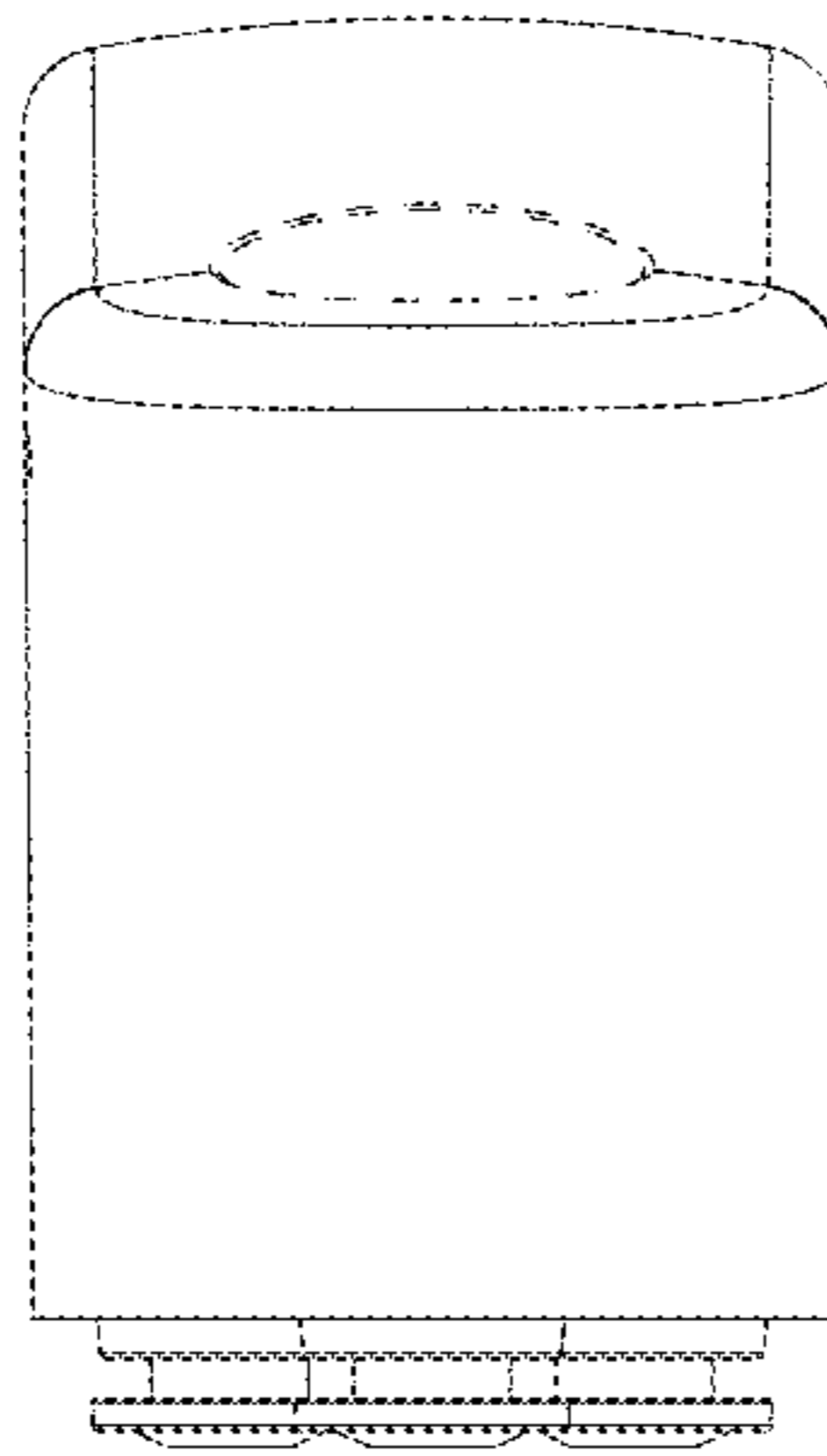


FIG. 1.3

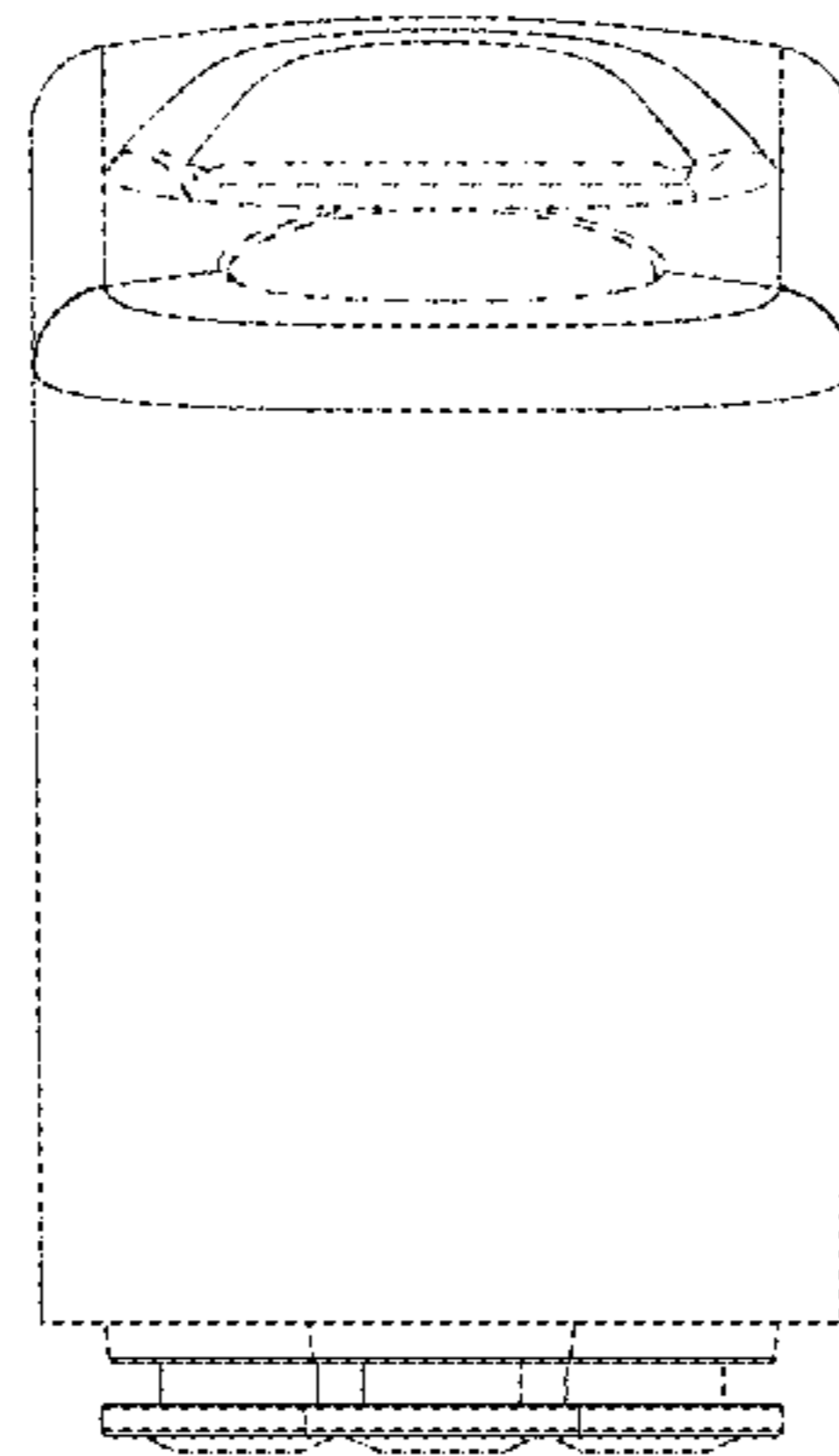


FIG. 1.4

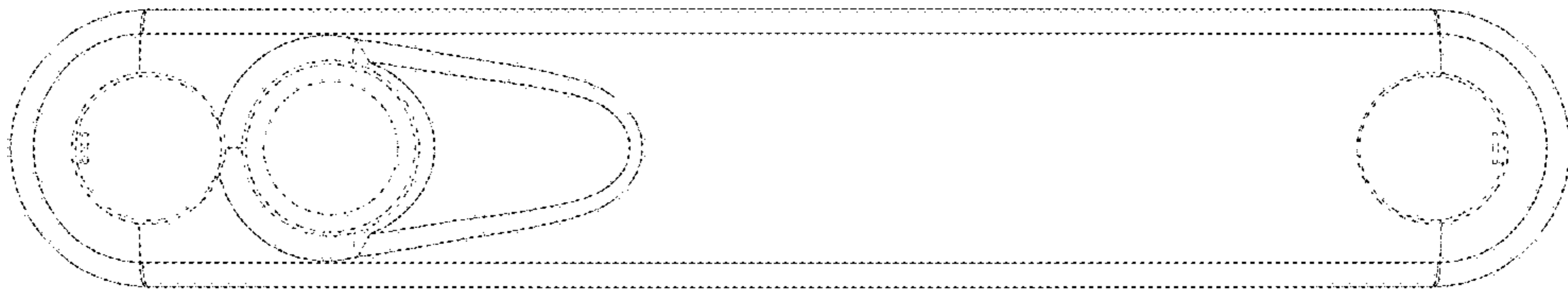


FIG. 1.5