



US00D784108S

(12) **United States Design Patent** (10) **Patent No.:** **US D784,108 S**  
**Gilbert et al.** (45) **Date of Patent:** **\*\* Apr. 18, 2017**

- (54) **UTILITY KNIFE** 6,675,485 B1 \* 1/2004 Shih ..... B26B 1/10  
30/321
- (71) Applicants: **James Gilbert**, Catlett, VA (US); D563,755 S \* 3/2008 Wu ..... D8/99  
**Michael L. Marshall**, Washington, DC 7,752,760 B2 7/2010 Baskar et al.  
(US); **Paola Moya**, Washington, DC D624,386 S \* 9/2010 van Deursen ..... D8/99  
(US) D645,721 S \* 9/2011 Wu ..... D8/99  
8,359,755 B1 1/2013 Laube  
8,572,850 B2 \* 11/2013 Wu ..... B26B 5/00  
30/125
- (72) Inventors: **James Gilbert**, Catlett, VA (US); 2007/0084416 A1 4/2007 Liao  
**Michael L. Marshall**, Washington, DC 2008/0190376 A1 8/2008 Matsumoto  
(US); **Paola Moya**, Washington, DC 2009/0101076 A1 4/2009 Khubani et al.  
(US) 2012/0304472 A1 \* 12/2012 Medhurst ..... B26B 5/001  
30/162
- (\*\*) Term: **14 Years** 2014/0041238 A1 \* 2/2014 Gilbert ..... B26B 1/02  
30/321
- (21) Appl. No.: **29/517,346** 2014/0144028 A1 \* 5/2014 Gilbert ..... B26B 1/10  
30/321
- (22) Filed: **Feb. 12, 2015**

\* cited by examiner

**Related U.S. Application Data**

- (63) Continuation-in-part of application No. 14/620,531, filed on Feb. 12, 2015, which is a continuation-in-part of application No. 14/157,187, filed on Jan. 16, 2014, now abandoned, which is a continuation-in-part of application No. 13/797,036, filed on Mar. 12, 2013, now abandoned.

*Primary Examiner* — Phillip S Hyder

(74) *Attorney, Agent, or Firm* — Blank Rome LLP

- (51) **LOC (10) Cl.** ..... **08-03**
- (52) **U.S. Cl.**  
USPC ..... **D8/99**
- (58) **Field of Classification Search**  
USPC ..... D8/98, 99, 105, 107  
CPC ..... B26B 5/001; B26B 5/003; B26B 11/00;  
B26B 1/08; B26B 1/02; B26B 1/10  
See application file for complete search history.

(57) **CLAIM**

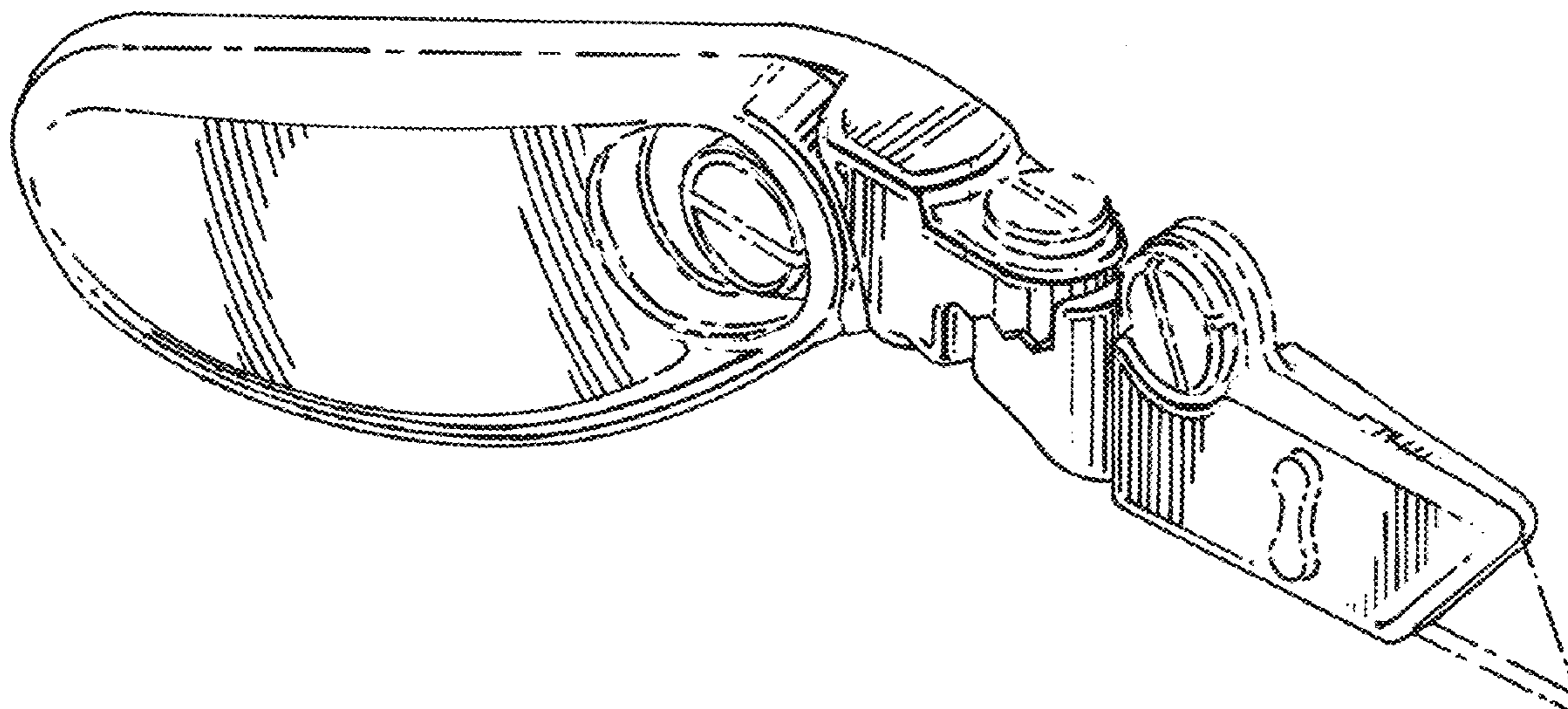
The ornamental design for a utility knife, as shown and described.

**DESCRIPTION**

FIG. 1 is a perspective view of a utility knife showing my new design;  
 FIG. 2 is a front view thereof;  
 FIG. 3 is a rear view thereof;  
 FIG. 4 is a top view thereof;  
 FIG. 5 is a bottom view thereof;  
 FIG. 6 is a right-side view thereof; and,  
 FIG. 7 is a left-side view thereof.  
 The broken lines depict portions of the utility knife in which the design is embodied that are not considered part of the claimed design.

- (56) **References Cited**  
U.S. PATENT DOCUMENTS  
2,458,200 A 1/1949 Renfroe et al.  
2,469,373 A 5/1949 Feather  
3,773,375 A 11/1973 Nehls

**1 Claim, 2 Drawing Sheets**



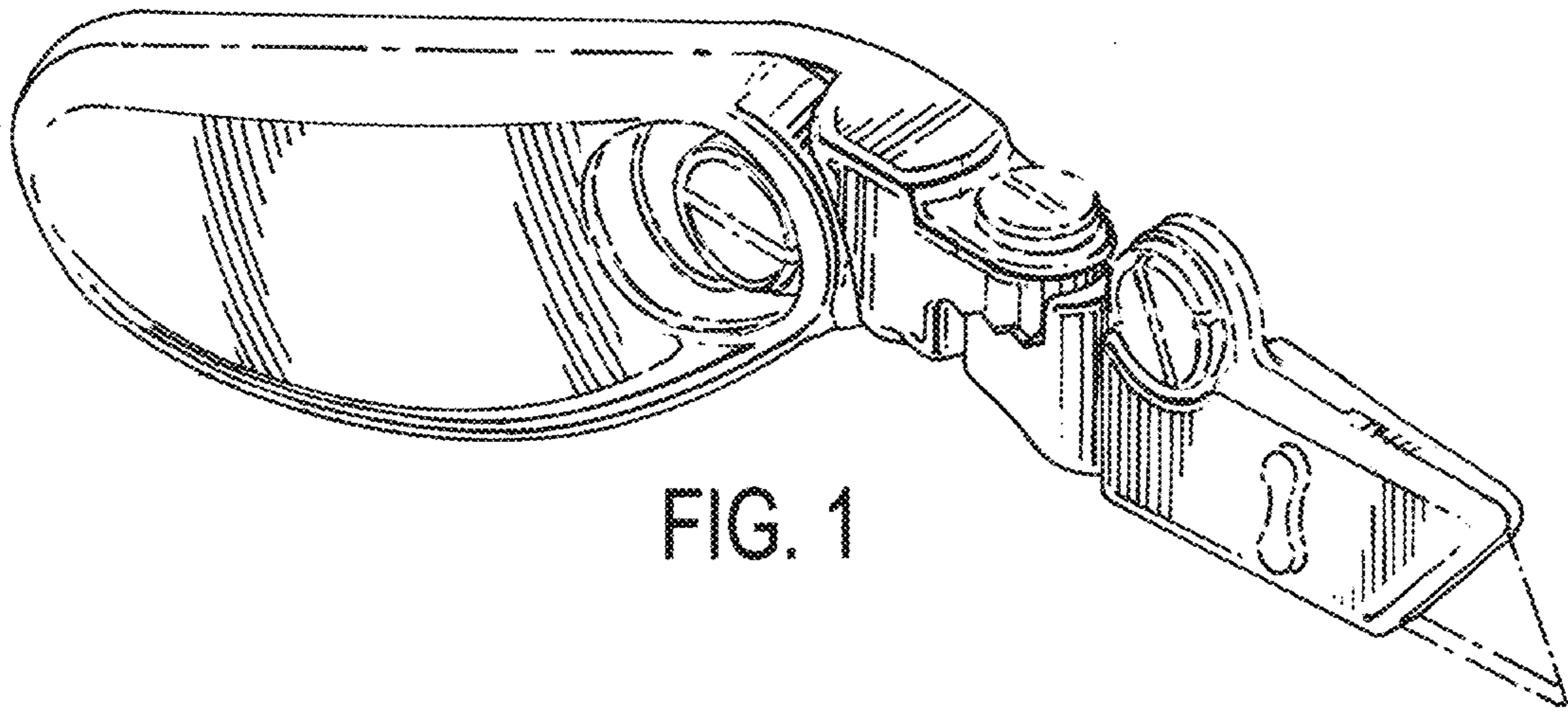


FIG. 1

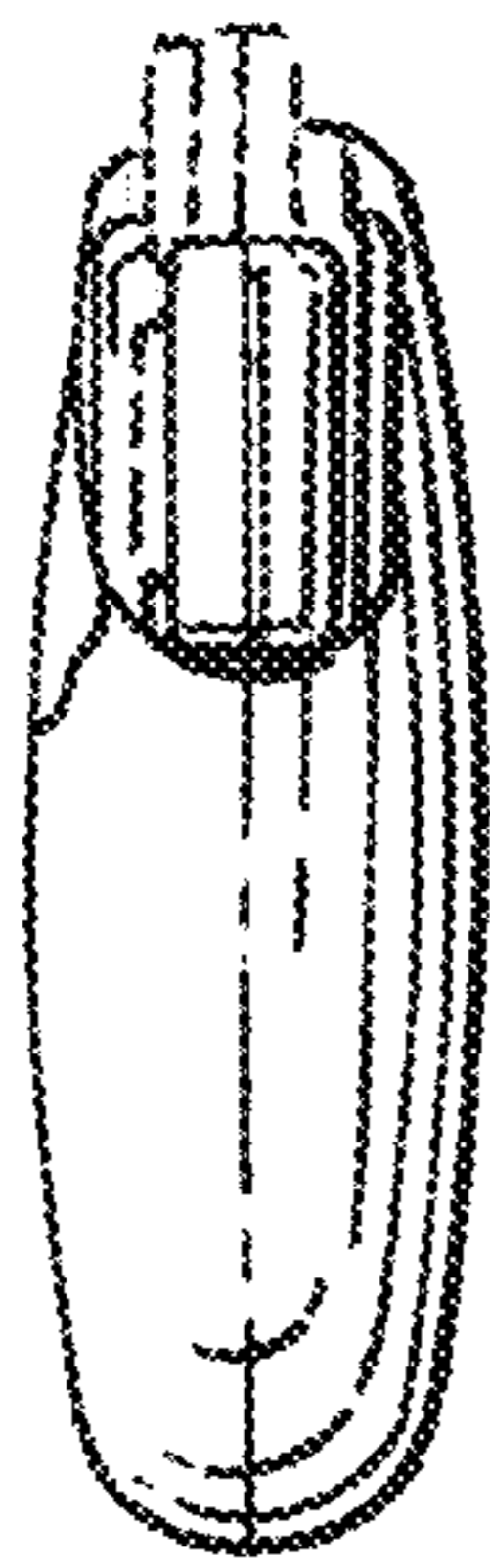


FIG. 2

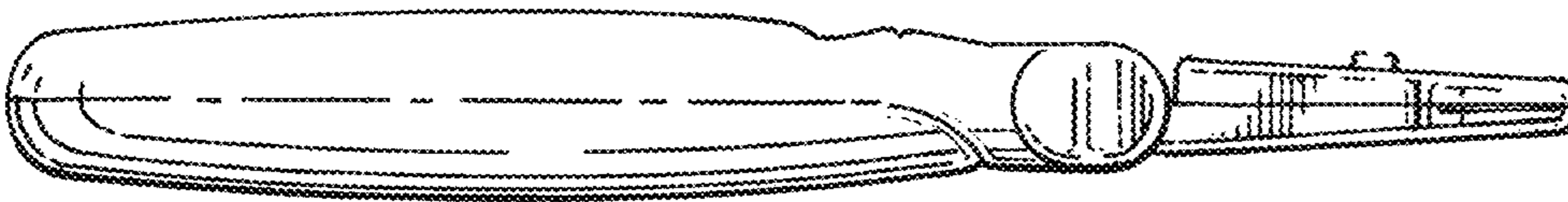


FIG. 3

FIG. 4



FIG. 5



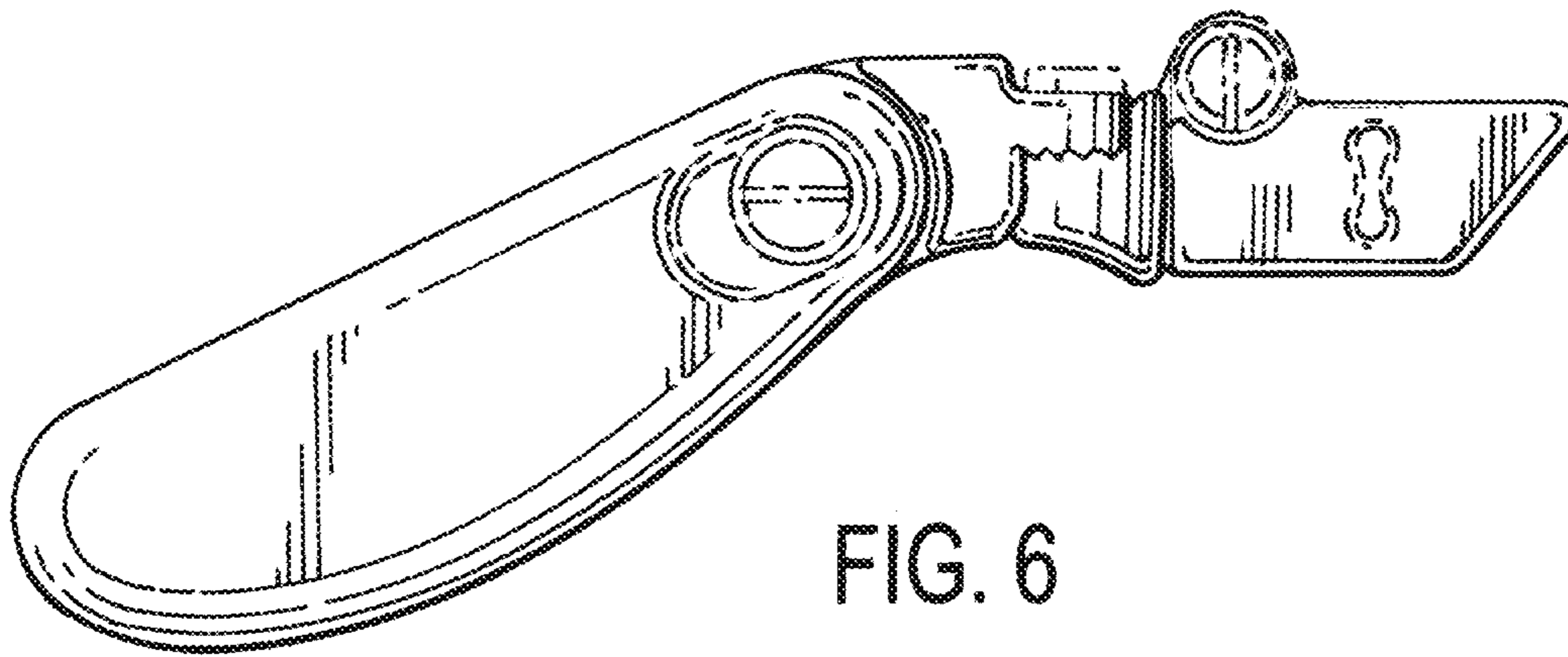


FIG. 6

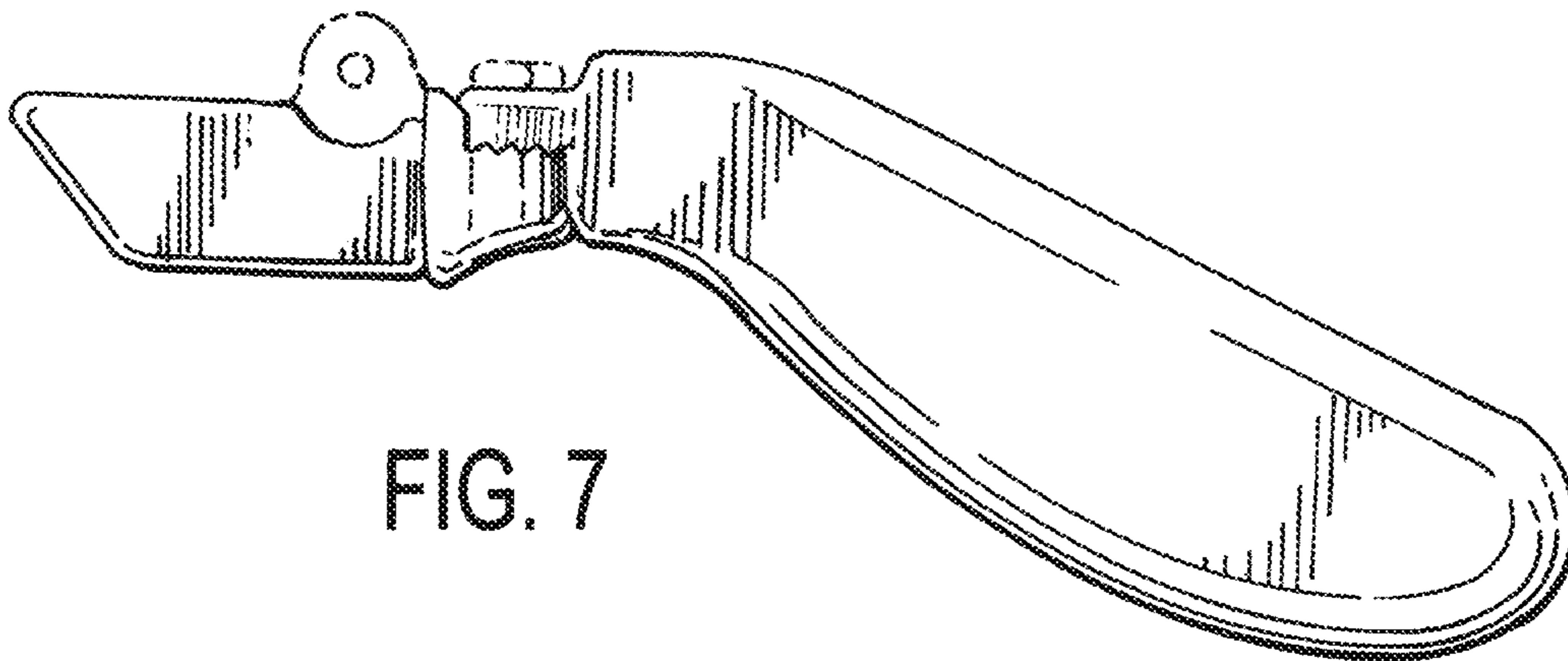


FIG. 7