



US00D784105S

(12) **United States Design Patent**  
**Nelson**

(10) **Patent No.:** **US D784,105 S**  
(45) **Date of Patent:** **\*\* Apr. 18, 2017**

(54) **TOOL HANDLE**

D734,114 S \* 7/2015 Robinson ..... D8/83  
D734,115 S \* 7/2015 Robinson ..... D8/83  
D755,602 S \* 5/2016 Marcus ..... D8/85

(71) Applicant: **Home Depot Product Authority, LLC,**  
Atlanta, GA (US)

(72) Inventor: **Michael Nelson,** Peachtree City, GA  
(US)

(73) Assignee: **Home Depot Product Authority, LLC,**  
Atlanta, GA (US)

(\*\*) Term: **15 Years**

(21) Appl. No.: **29/556,956**

(22) Filed: **Mar. 4, 2016**

**Related U.S. Application Data**

(62) Division of application No. 29/488,943, filed on Apr.  
24, 2014, now Pat. No. Des. 754,512.

(51) **LOC (10) Cl.** ..... **08-04**

(52) **U.S. Cl.**  
USPC ..... **D8/83**

(58) **Field of Classification Search**  
USPC ..... D8/21, 24-26, 29, 61, 82-87, 107;  
81/52, 53.1, 58.3, 177.1-177.4, 177.7,  
81/438-439, 467, 480, 489-491  
CPC ..... A47J 43/26; B25B 13/463; B25B 13/468;  
B25B 15/04; B25G 1/005; B25G 1/085  
See application file for complete search history.

(56) **References Cited**

**U.S. PATENT DOCUMENTS**

D613,144 S \* 4/2010 Lin ..... D8/107  
D618,527 S \* 6/2010 Deguglimo ..... D8/29  
8,601,916 B2 \* 12/2013 Chen ..... B25B 15/00  
7/143

**OTHER PUBLICATIONS**

Craftsman 25 Piece Ratcheting T-Handle Set. Downloaded from  
<http://www.sears.com/craftsman-25-piece-ratcheting-t-handle-set/p-00944971000P?sid=ID> . . . on Sep. 19, 2016.\*

\* cited by examiner

*Primary Examiner* — Philip S Hyder

*Assistant Examiner* — Roselynn Cody

(74) *Attorney, Agent, or Firm* — Greenberg Traurig, LLP

(57) **CLAIM**

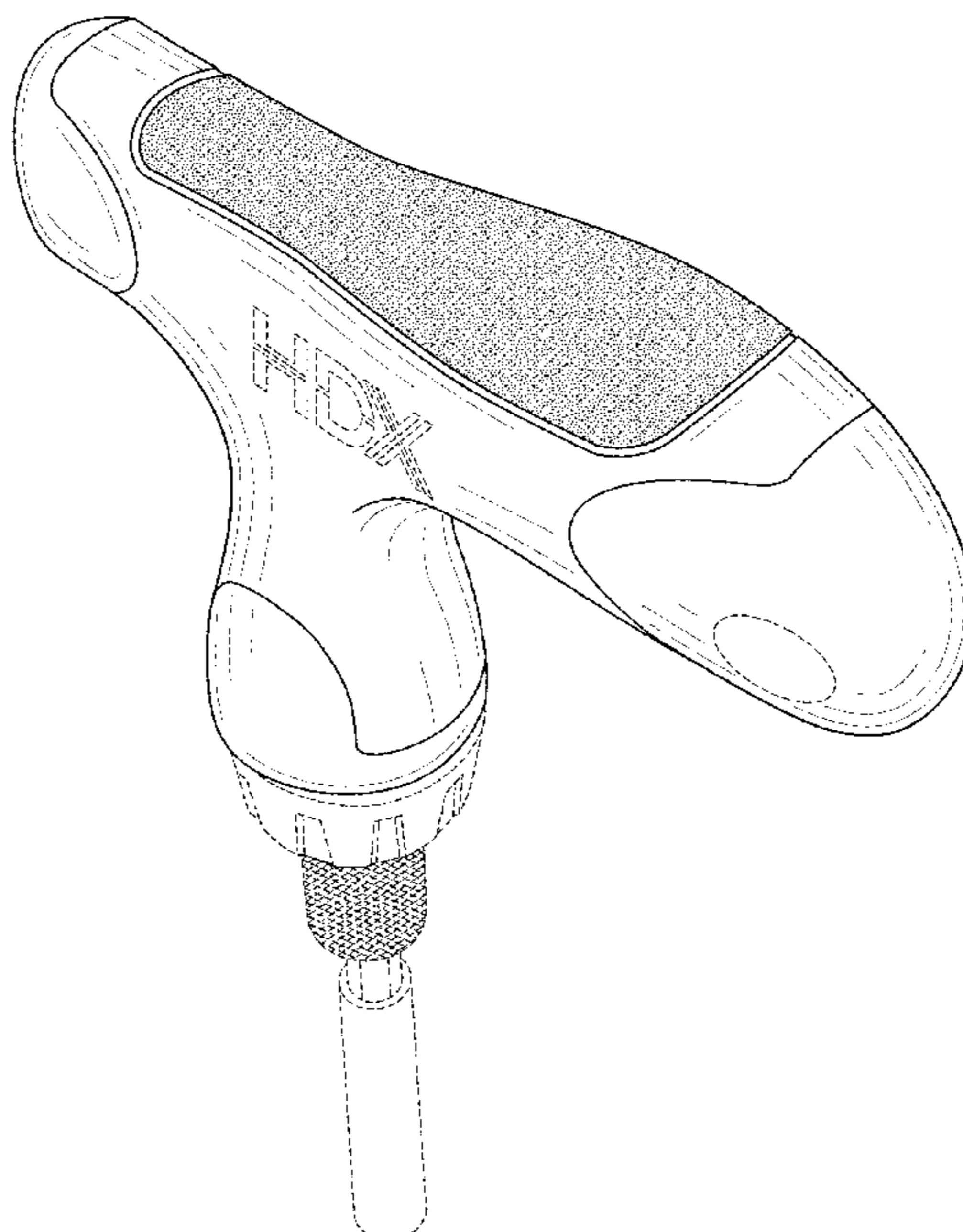
The ornamental design for a tool handle, as shown and  
described.

**DESCRIPTION**

FIG. 1 is a perspective view of my tool handle;  
FIG. 2 is a side view thereof;  
FIG. 3 is another side view thereof, opposite the side view  
shown in FIG. 2;  
FIG. 4 is a front view thereof;  
FIG. 5 is a back view thereof;  
FIG. 6 is a bottom view thereof; and,  
FIG. 7 is a top view thereof.

The dashed lines outside of the claimed tool handle repre-  
sent environmental structure that forms no part of the  
claimed design; specifically, some such dashed lines show  
aspects of an example tool (a ratchet) with which the  
claimed tool handle may be used. Other dashed lines show  
that while a logo may (but need not) be used with the  
claimed design, no particular logo is claimed.

**1 Claim, 5 Drawing Sheets**



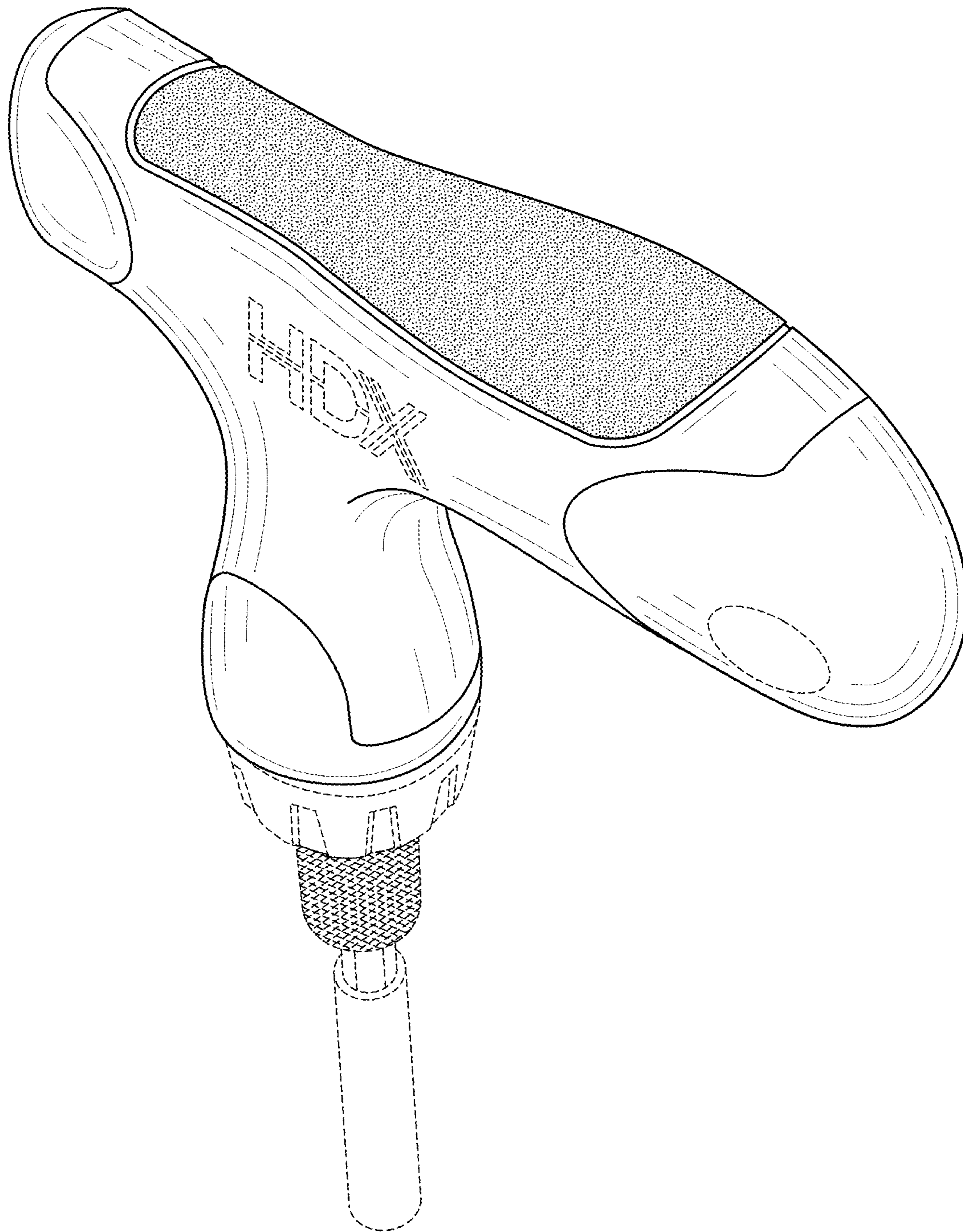


FIG. 1

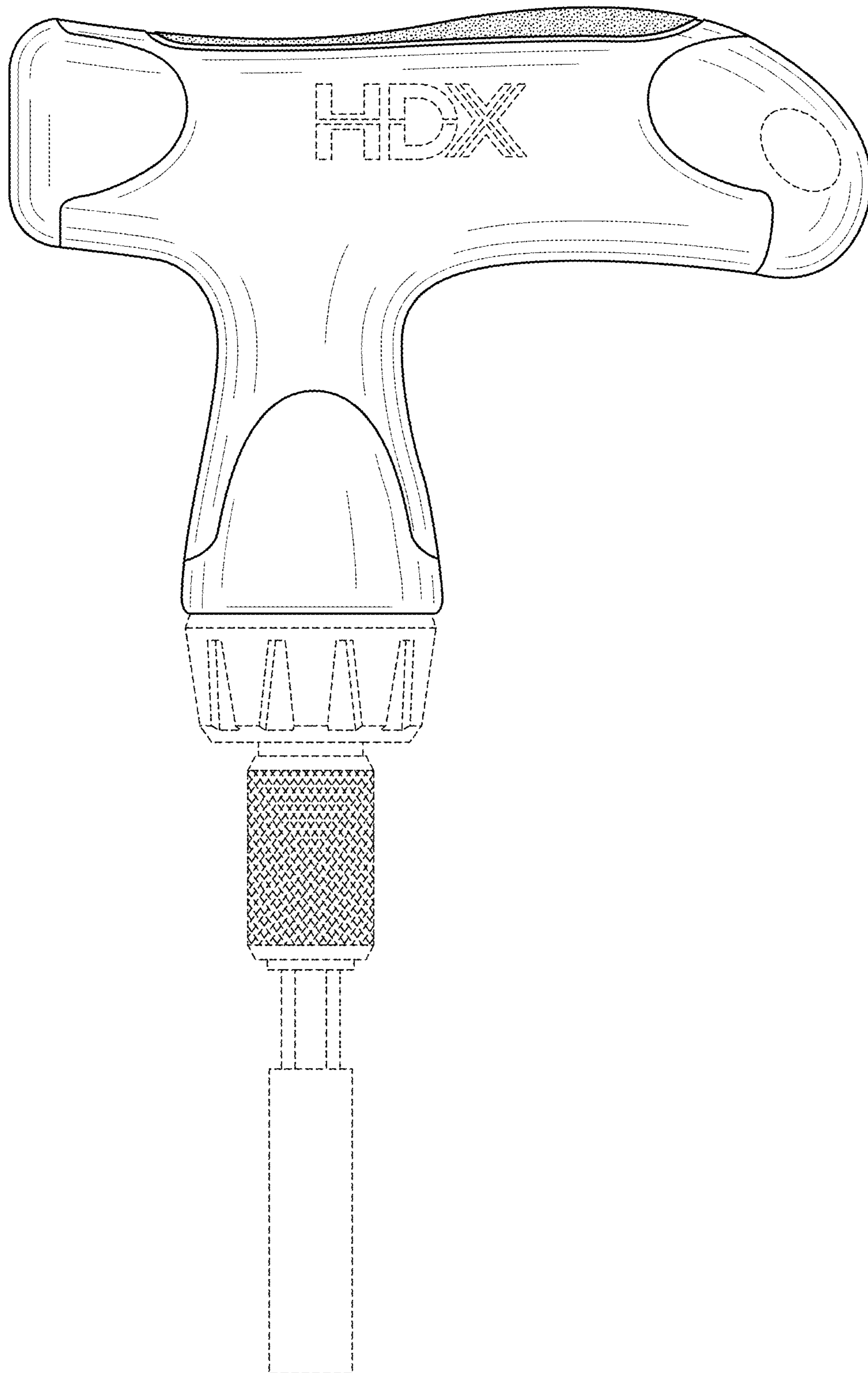


FIG. 2



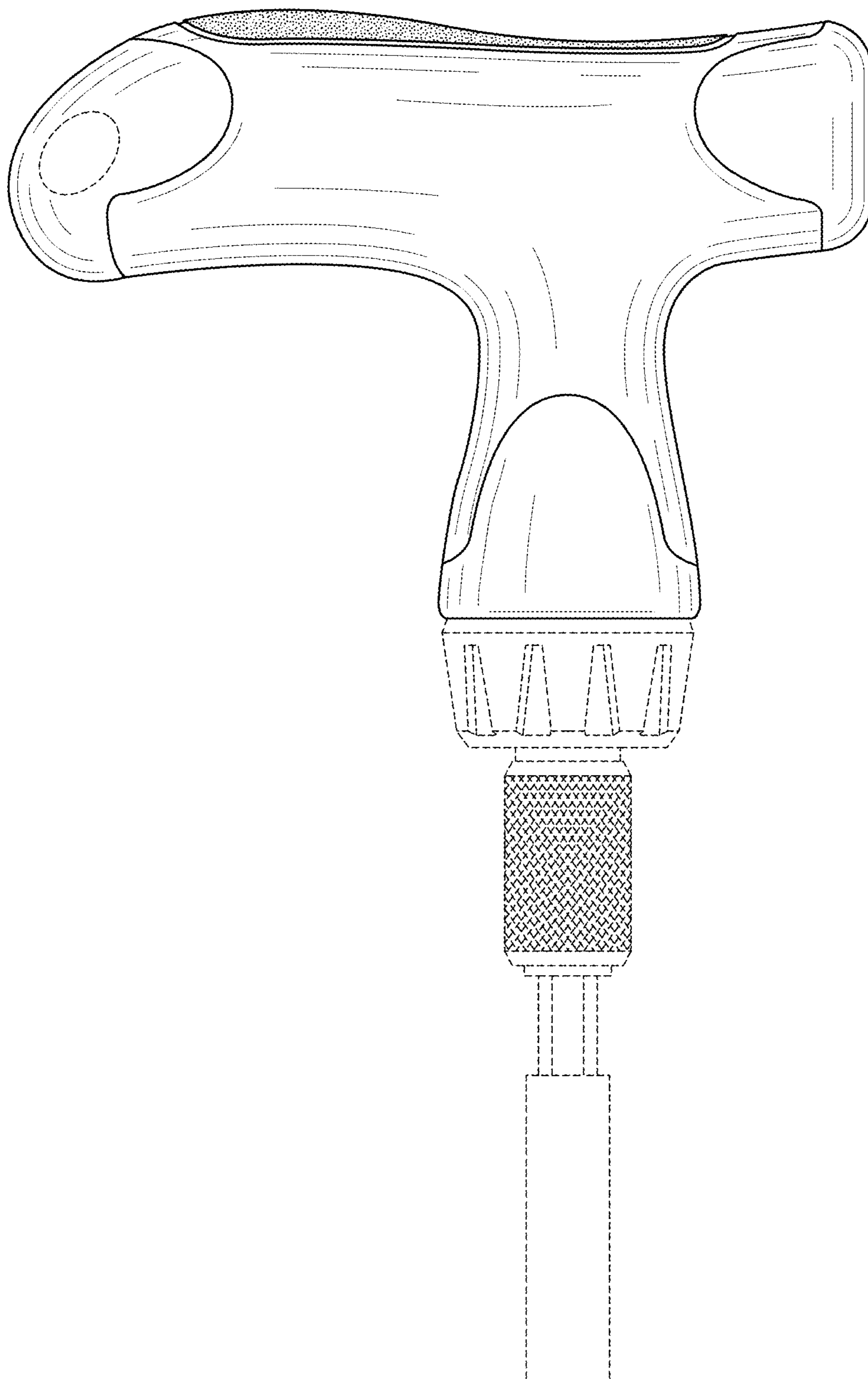
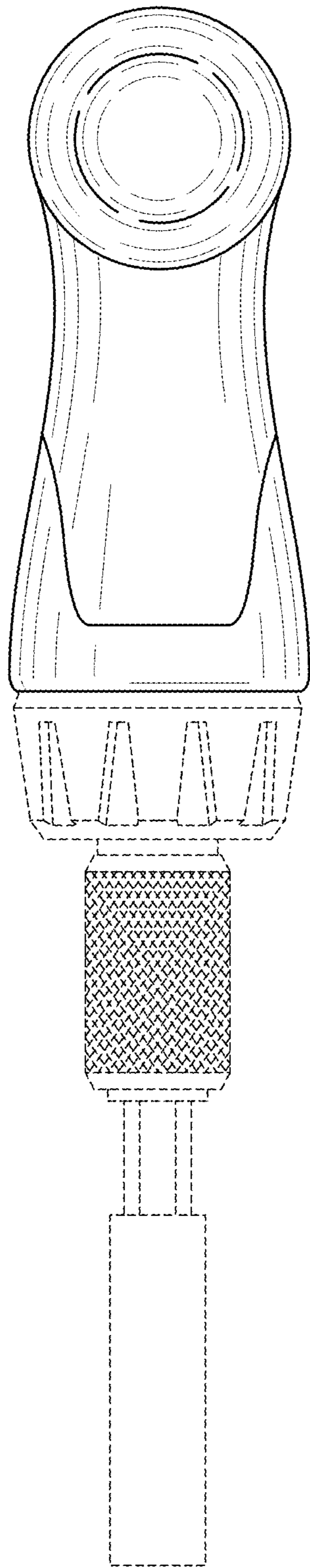
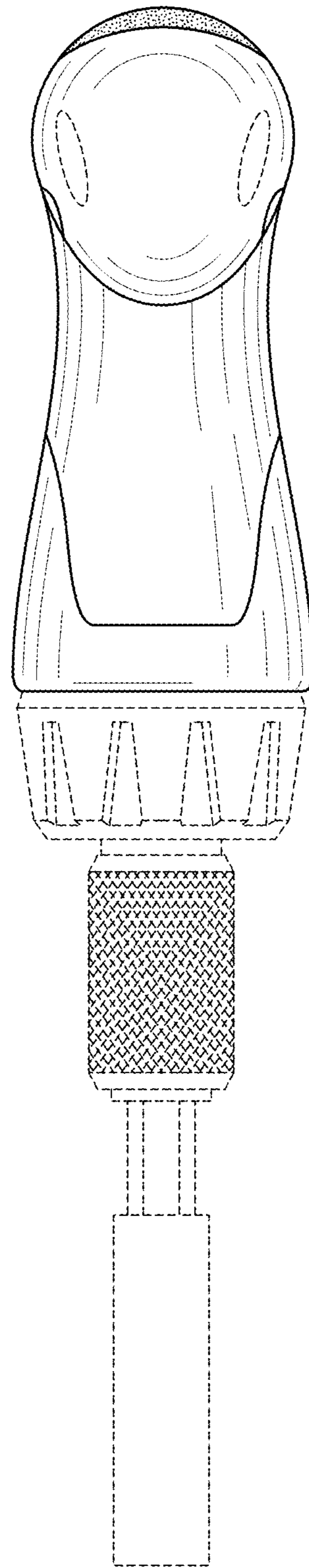


FIG. 3



**FIG. 4**



**FIG. 5**

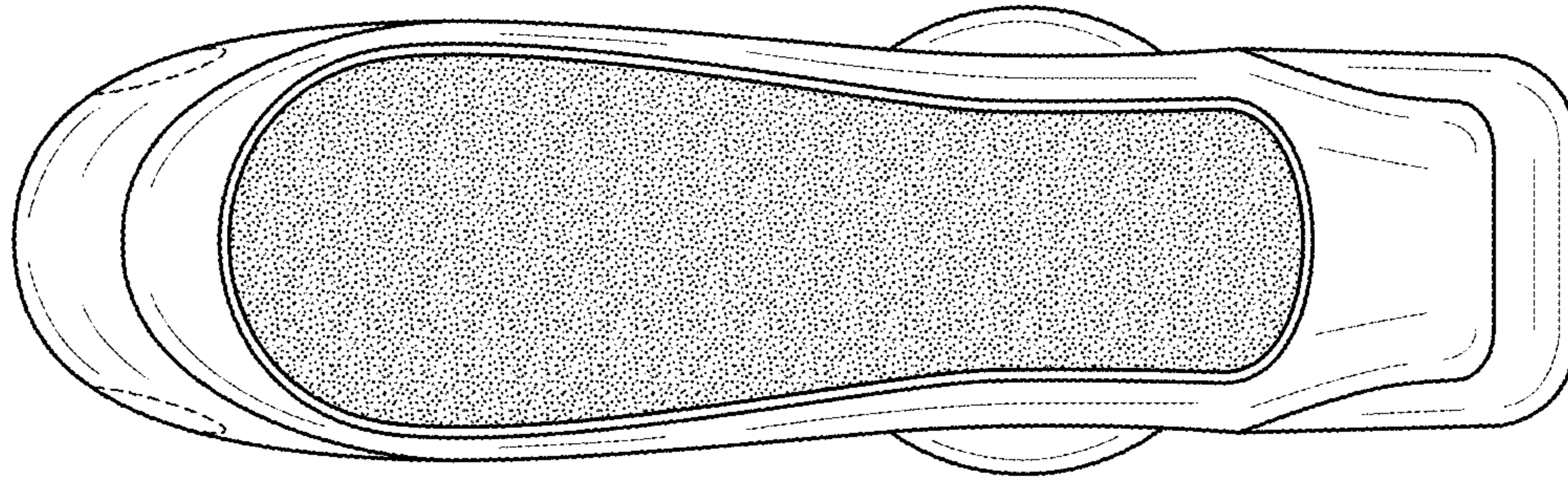


FIG. 6

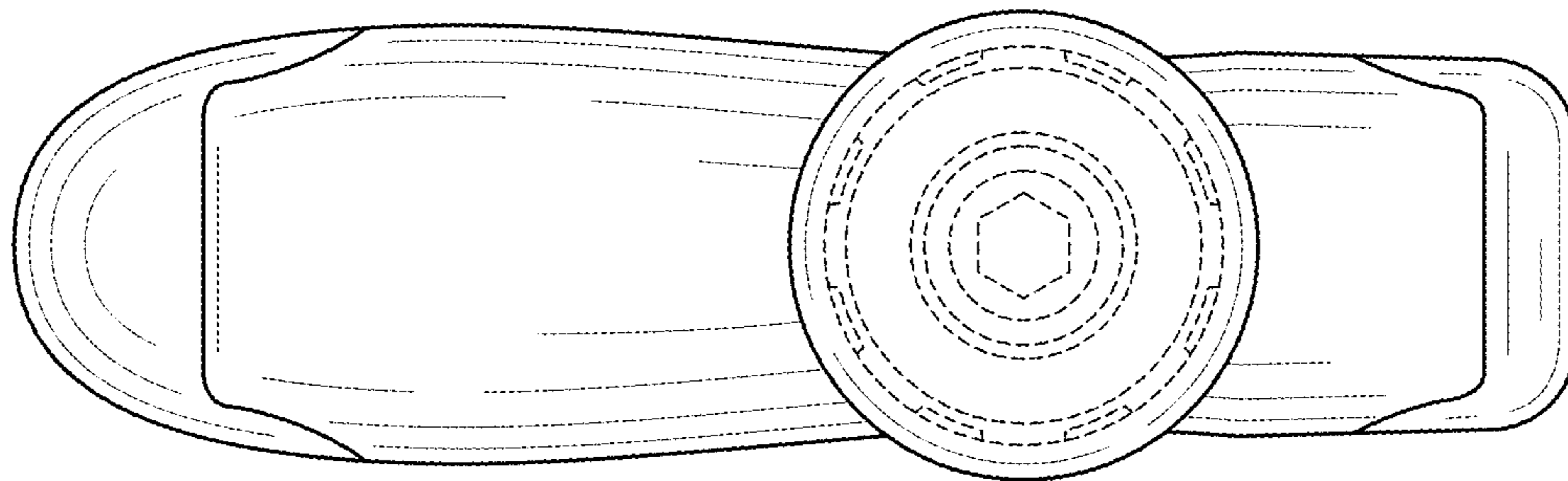


FIG. 7