



US00D784101S

(12) **United States Design Patent** (10) **Patent No.:** **US D784,101 S**
Keller (45) **Date of Patent:** **** Apr. 18, 2017**

- (54) **SEAL INSTALLATION TOOL**
- (71) Applicant: **Sonnax Industries, Inc.**, Bellows Falls, VT (US)
- (72) Inventor: **Patrick A. Keller**, Keene, NH (US)
- (73) Assignee: **Sonnax Industries, Inc.**, Bellows Falls, VT (US)
- (**) Term: **15 Years**
- (21) Appl. No.: **29/535,988**
- (22) Filed: **Aug. 12, 2015**
- (51) **LOC (10) Cl.** **08-05**
- (52) **U.S. Cl.**
USPC **D8/51**
- (58) **Field of Classification Search**
USPC D8/4, 5, 51-60
CPC Y10T 29/53657; Y10T 29/53943; Y10T 29/49822; Y10T 29/4973
See application file for complete search history.

(56) **References Cited**

U.S. PATENT DOCUMENTS

4,612,953	A *	9/1986	Caroll	B25B 27/0028
					137/327
D289,727	S *	5/1987	Bates	D8/14
D294,219	S *	2/1988	Hamatani	D8/51
5,193,260	A *	3/1993	Pierce	B25B 27/04
					140/106
D378,981	S *	4/1997	Alexander	D8/51
D440,837	S *	4/2001	Hart	D8/14
D463,232	S *	9/2002	Newton, Sr.	D8/14
D570,659	S *	6/2008	Lin	D8/51
D572,550	S *	7/2008	Francis	D8/51
D731,557	S *	6/2015	Brunner	D15/7
2009/0077783	A1 *	3/2009	Hume	B25B 27/0028
					29/235

* cited by examiner

Primary Examiner — Deanna L Pratt
(74) *Attorney, Agent, or Firm* — Downs Rachlin Martin PLLC

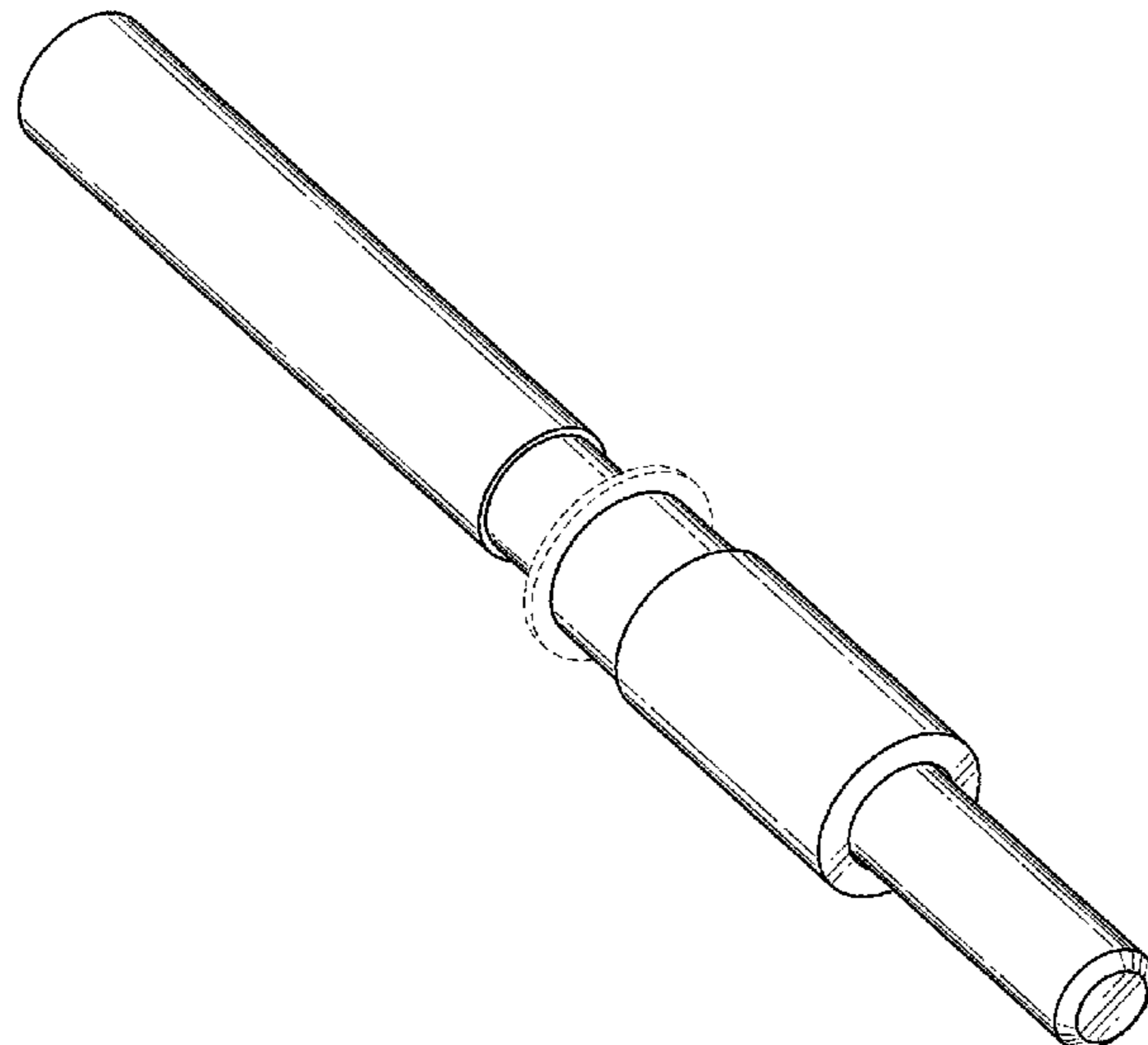
(57) **CLAIM**
The ornamental design for a seal installation tool, as shown and described.

DESCRIPTION

FIG. 1 is a perspective view of a seal installation tool showing my new design;
 FIG. 2 is a front section view thereof, taken from line 2, 3 in FIG. 4;
 FIG. 3 is an exploded section view thereof, not including the seal, taken from line 2, 3 in FIG. 4;
 FIG. 4 is a front view of the seal installation tool of FIG. 1;
 FIG. 5 is a first end view thereof;
 FIG. 6 is a second end view thereof;
 FIG. 7 is a perspective view of a guide of the seal installation tool of FIG. 1;
 FIG. 8 is a first end view thereof;
 FIG. 9 is a second end view thereof;
 FIG. 10 is a perspective view of a piston of the seal installation tool of FIG. 1;
 FIG. 11 is a first end view thereof;
 FIG. 12 is a second end view thereof;
 FIG. 13 is a perspective view of a plunger of the seal installation tool of FIG. 1;
 FIG. 14 is a first end view thereof; and,
 FIG. 15 is a second end view thereof.

The broken lines in the Figures are for the purpose of illustrating unclaimed portions of the seal installation tool and form no part of the claimed design. The shade lines in the Figures show contour and not surface ornamentation. The design is directed to the tool shown in FIGS. 1-6. The components of the tool are shown separately in FIGS. 7-15 to further illustrate aspects of the tool.

1 Claim, 14 Drawing Sheets



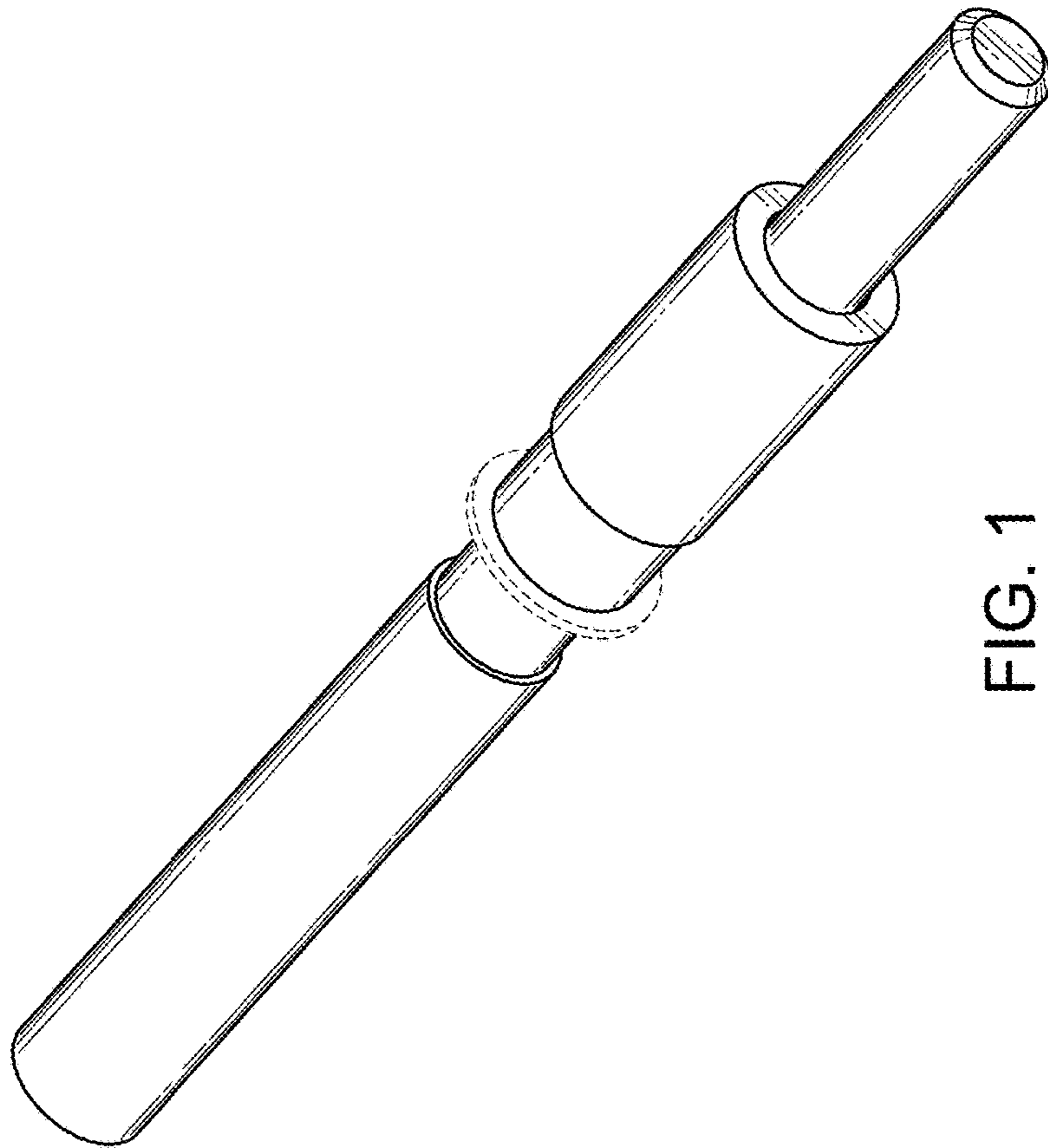


FIG. 1

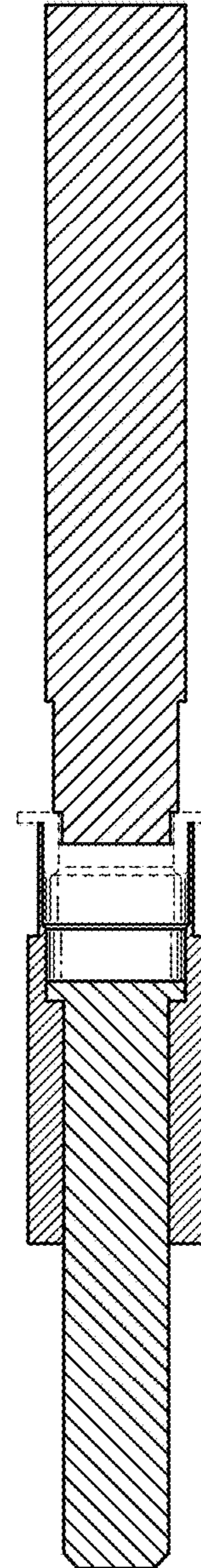


FIG. 2

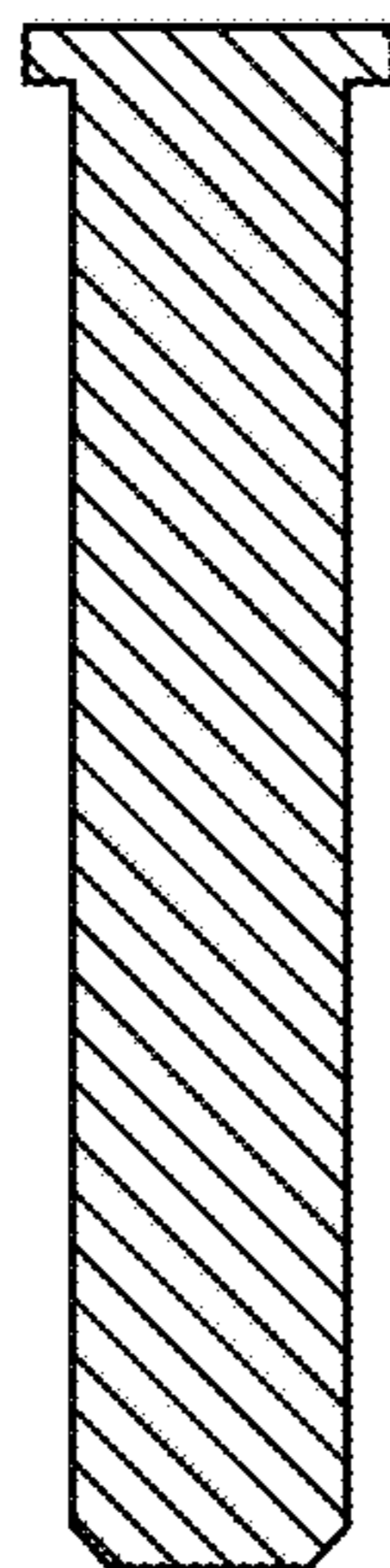
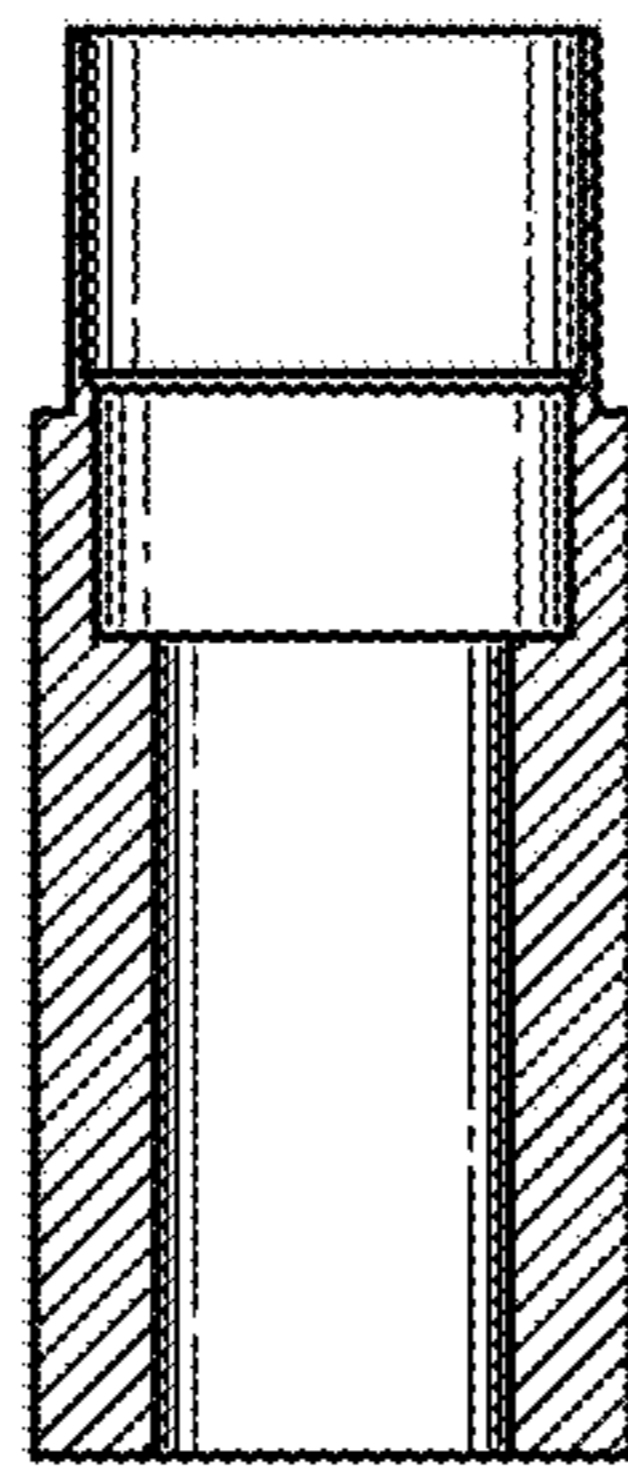
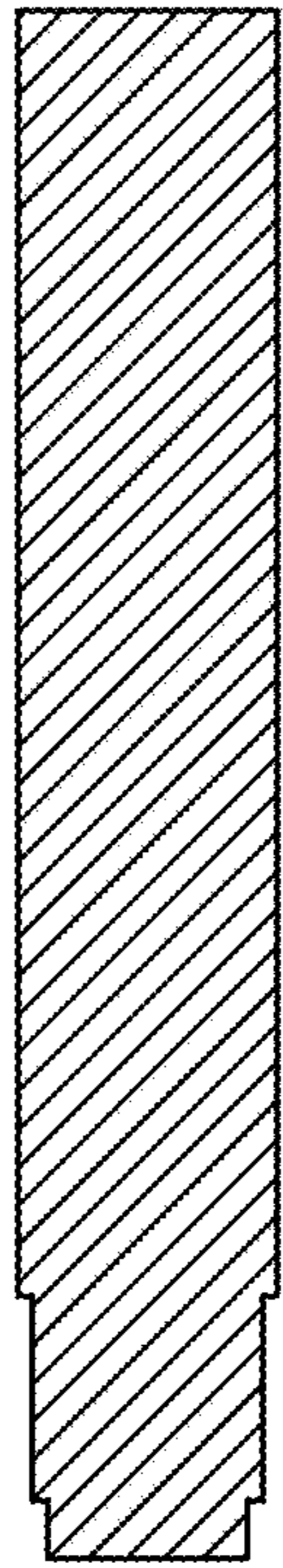


FIG. 3

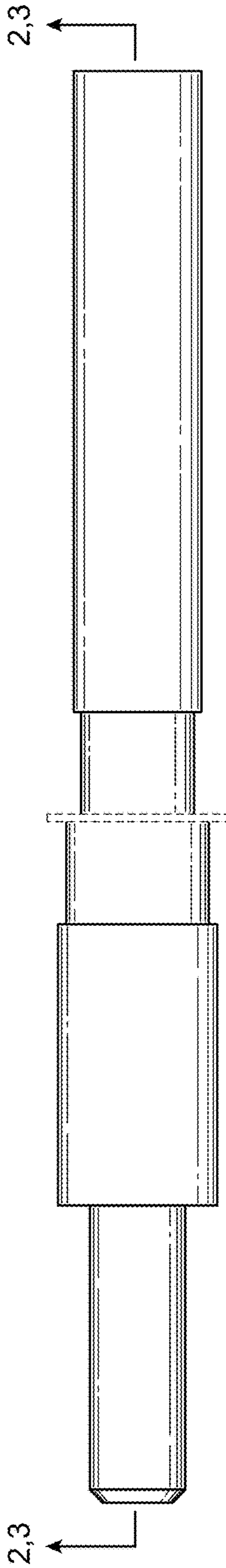


FIG. 4

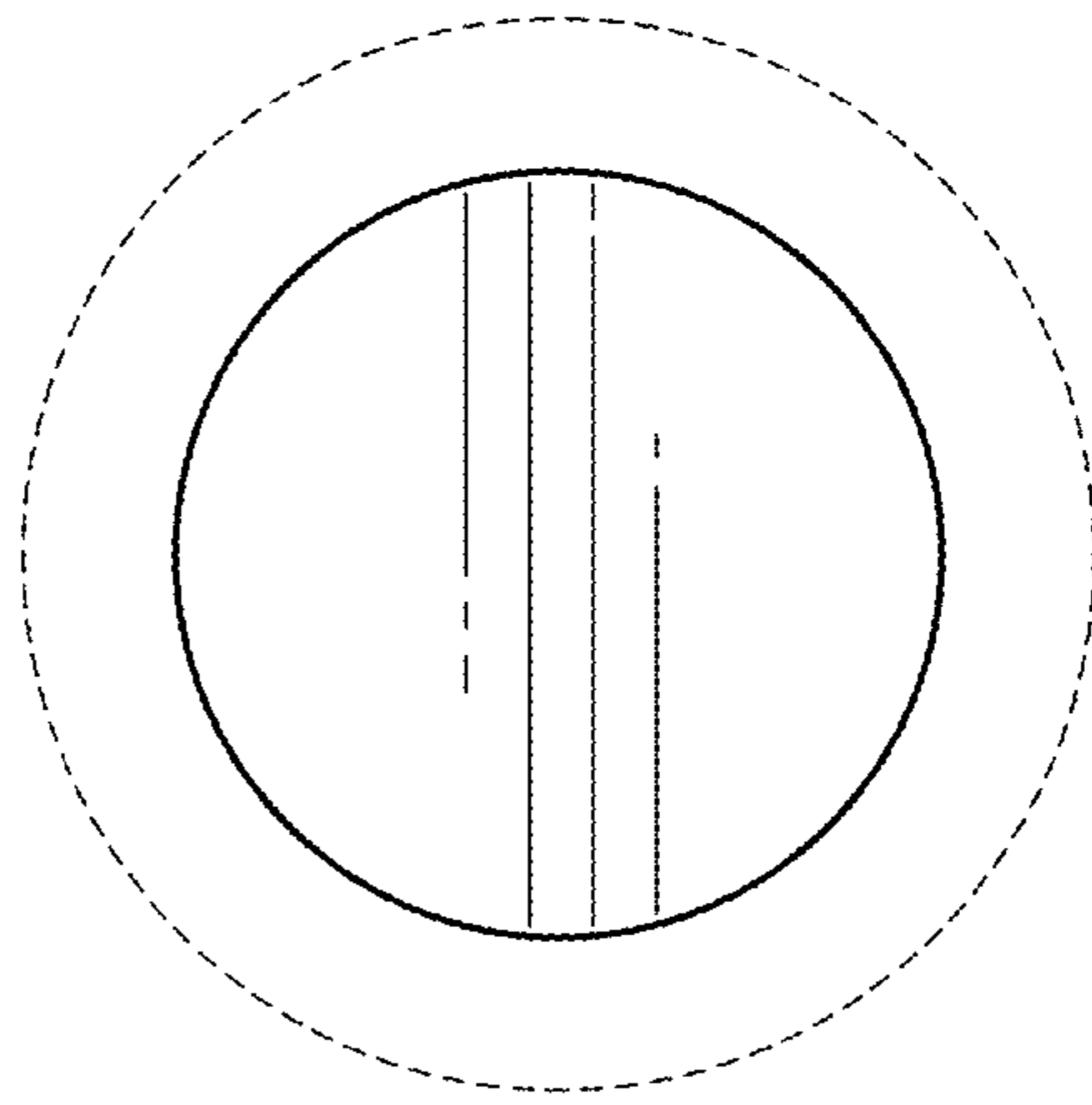


FIG. 5

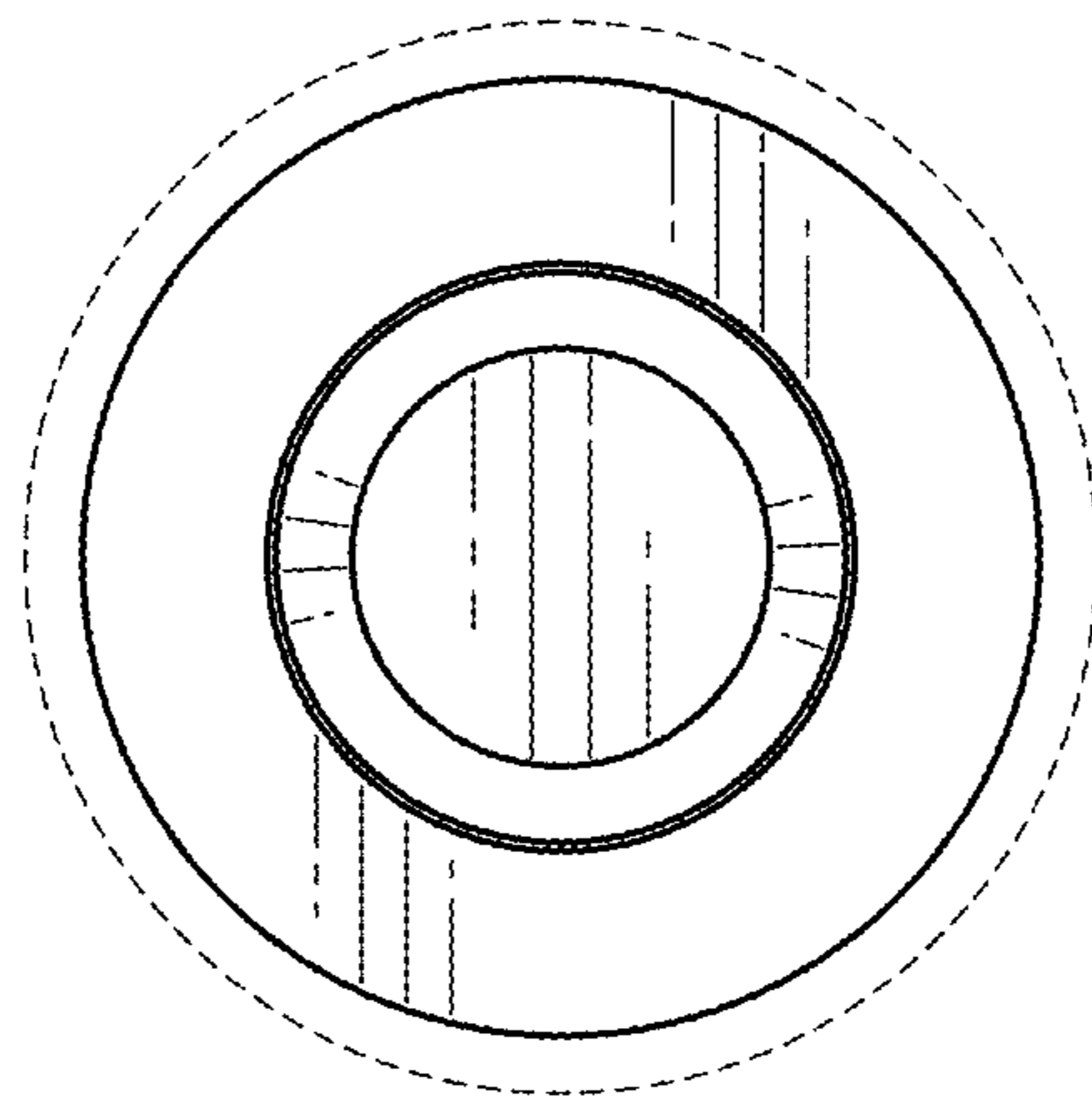


FIG. 6

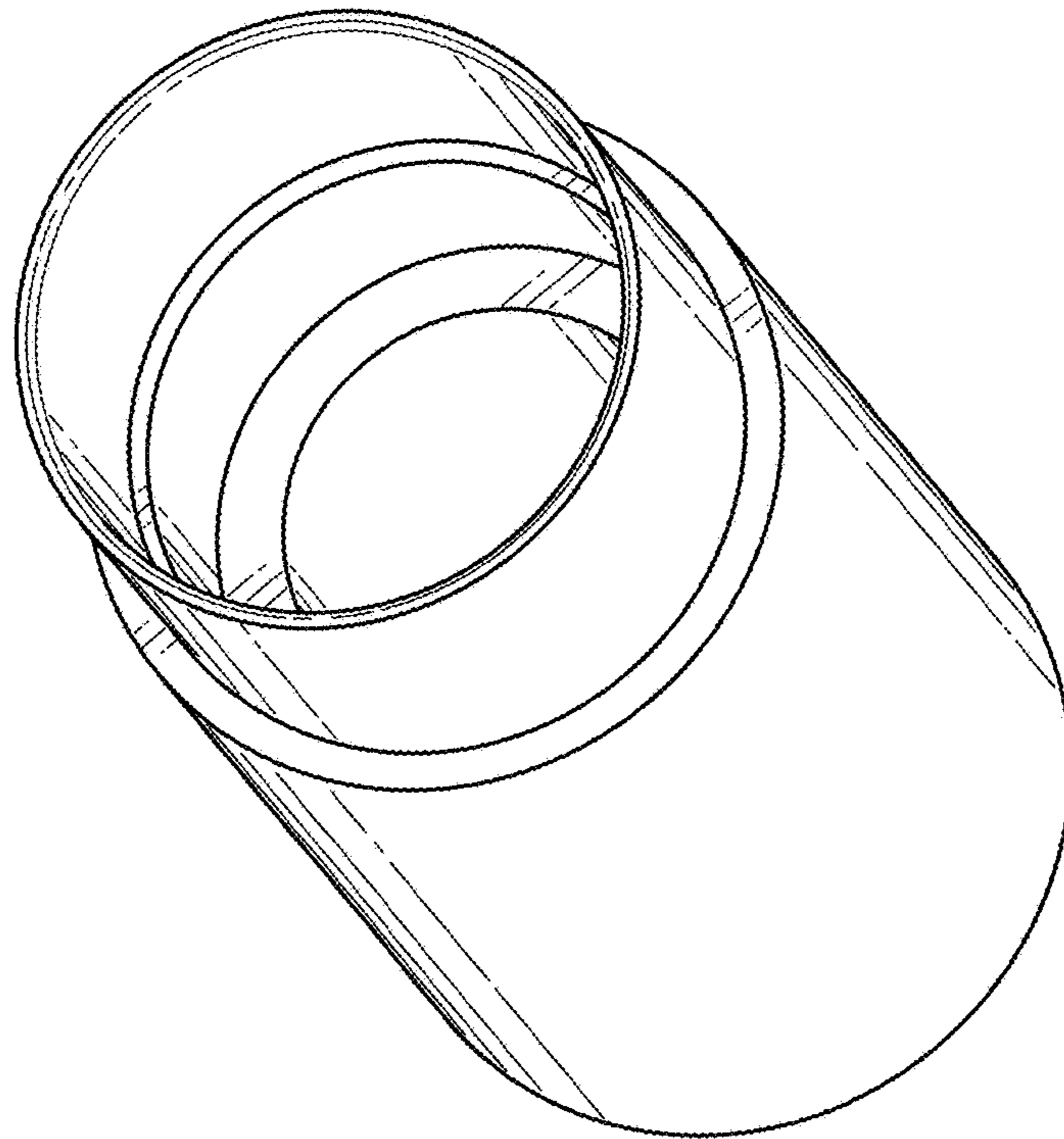


FIG. 7

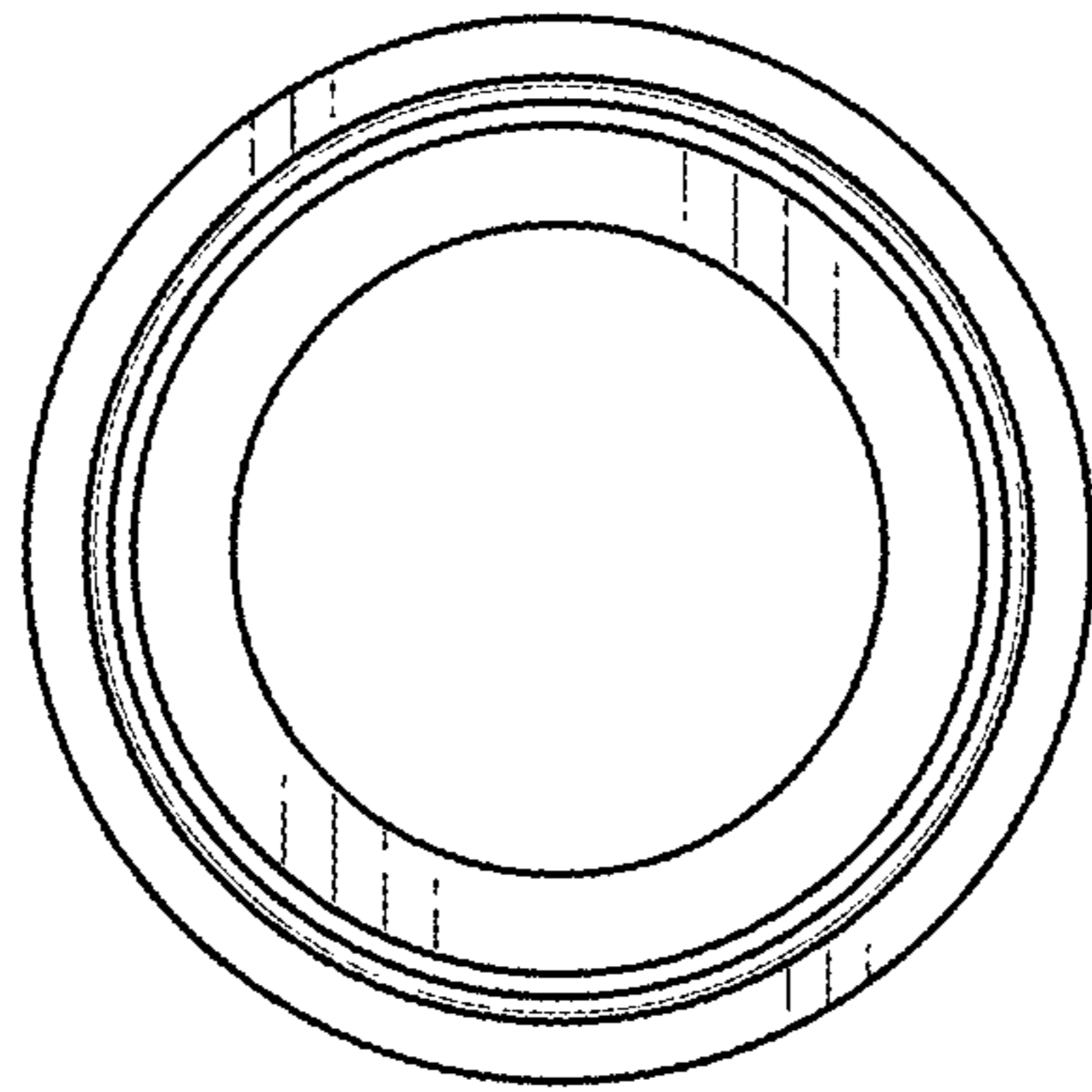


FIG. 8

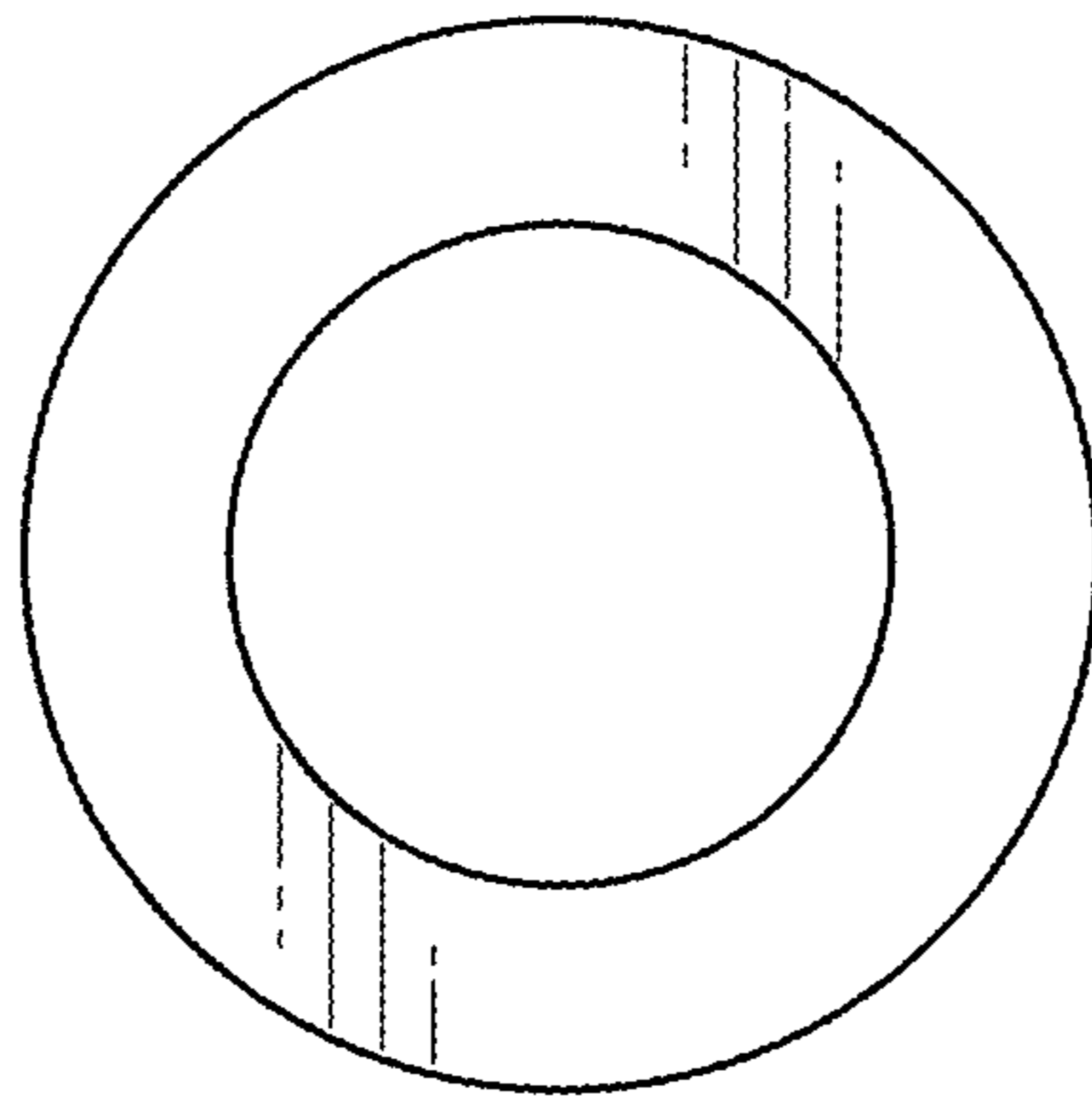


FIG. 9

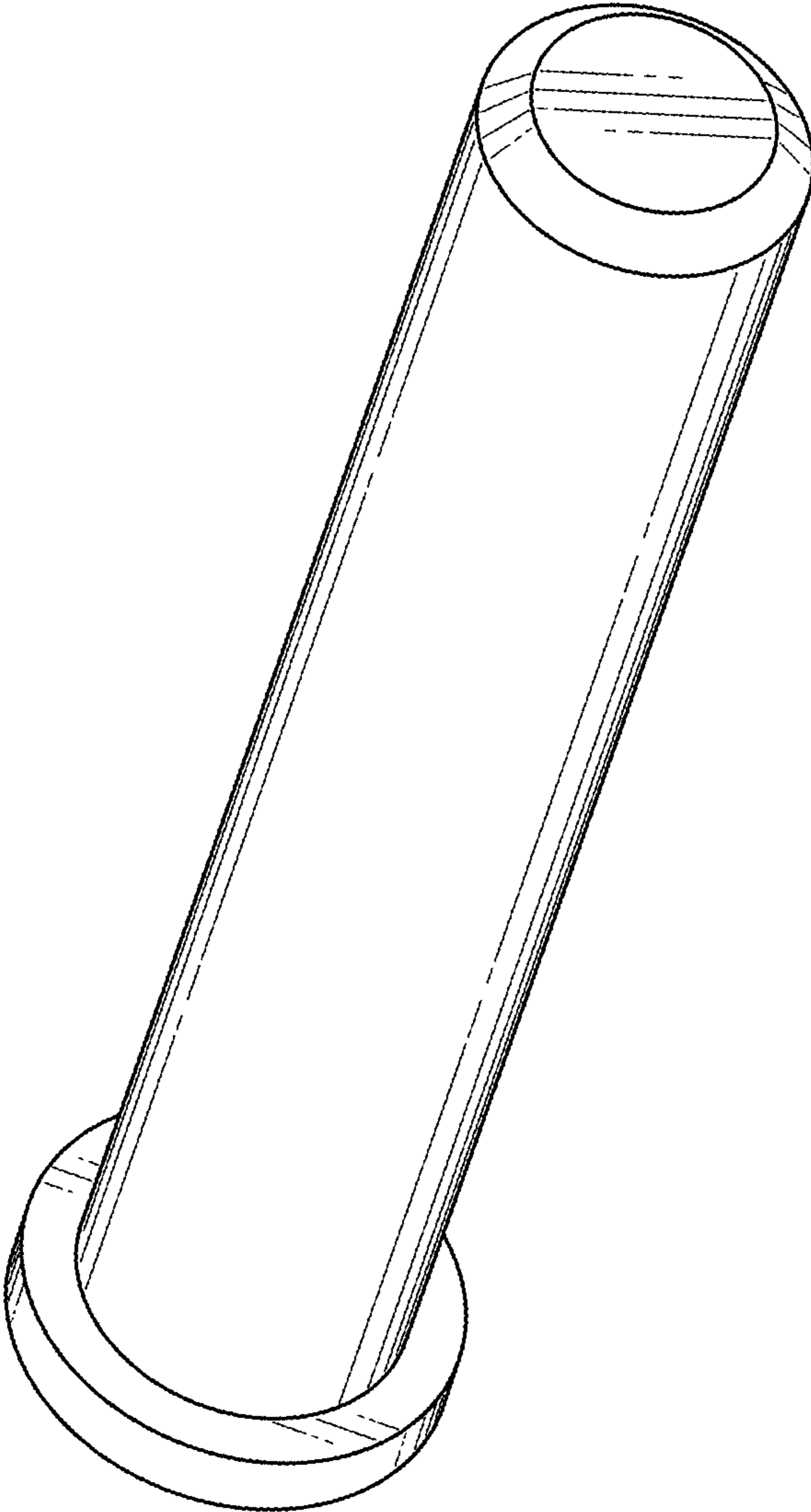


FIG. 10

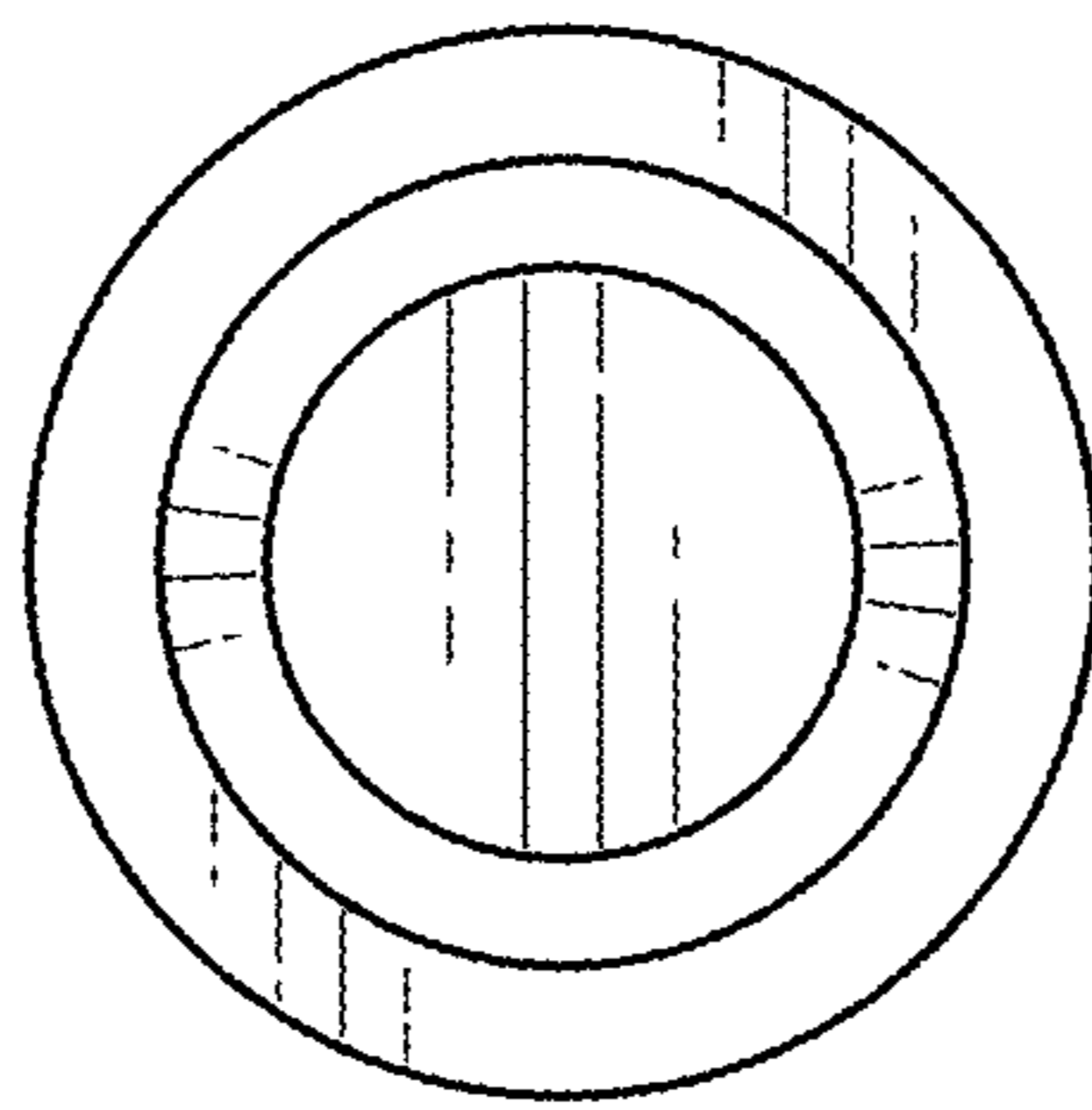


FIG. 11

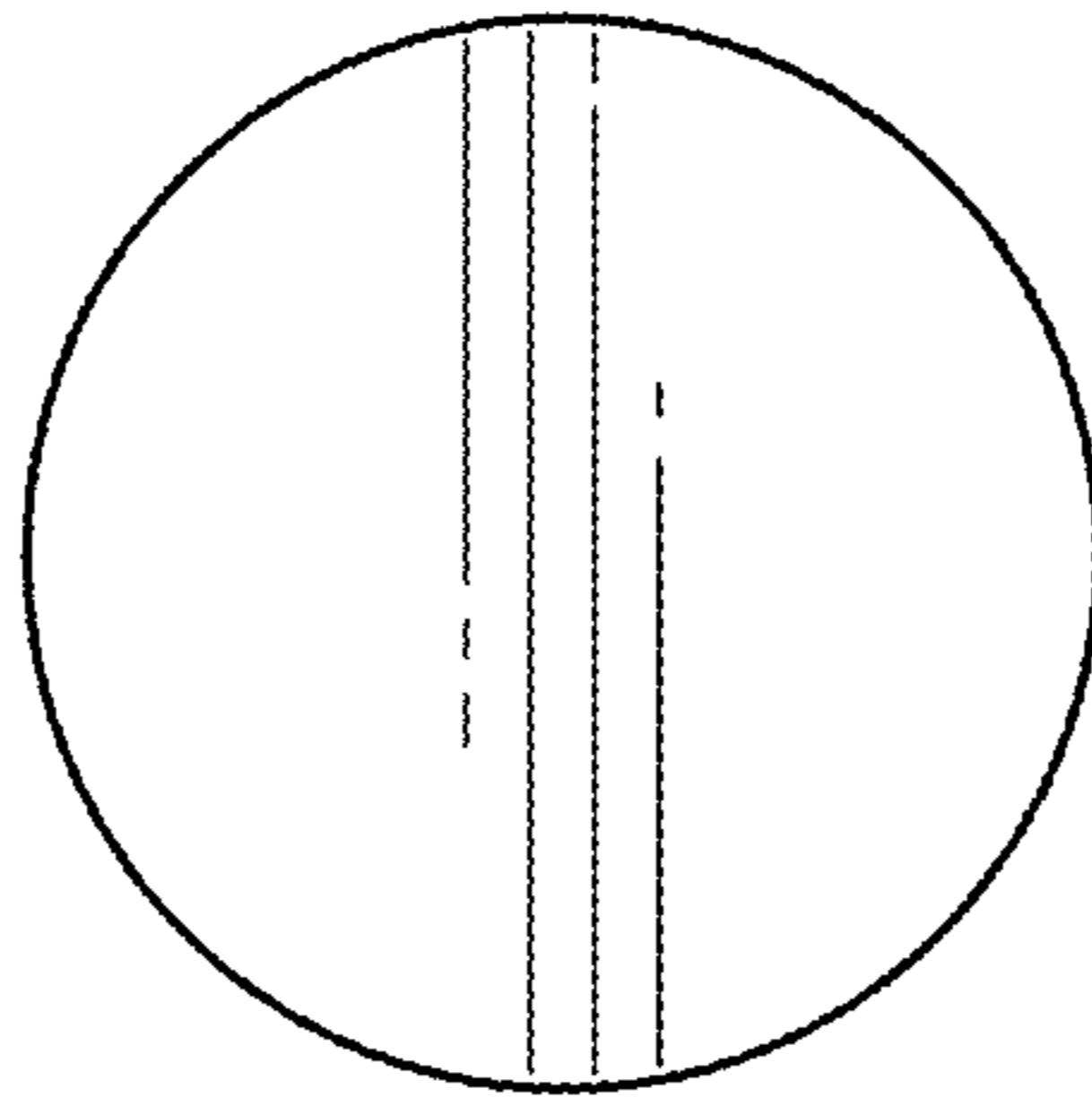


FIG. 12

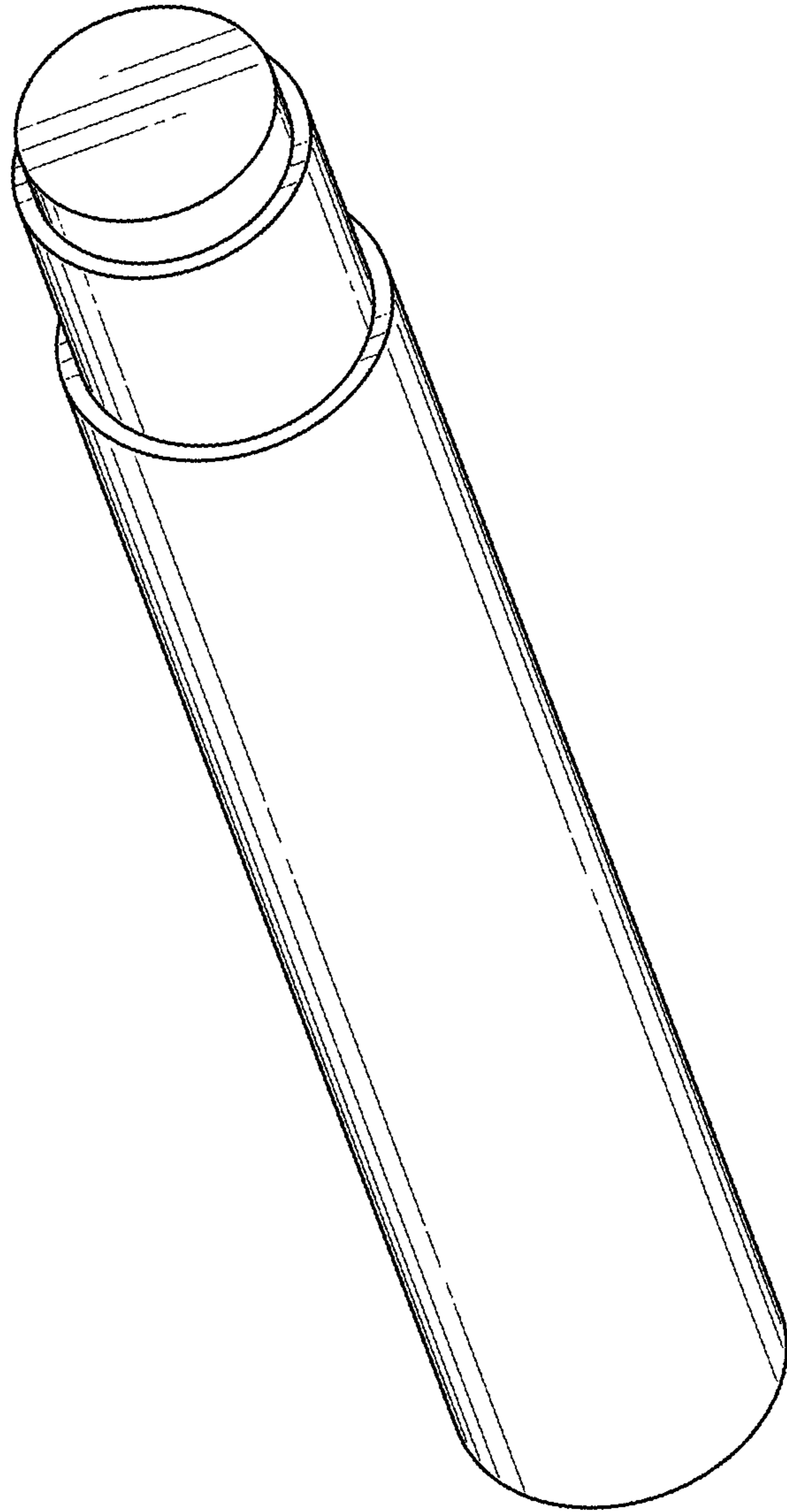


FIG. 13

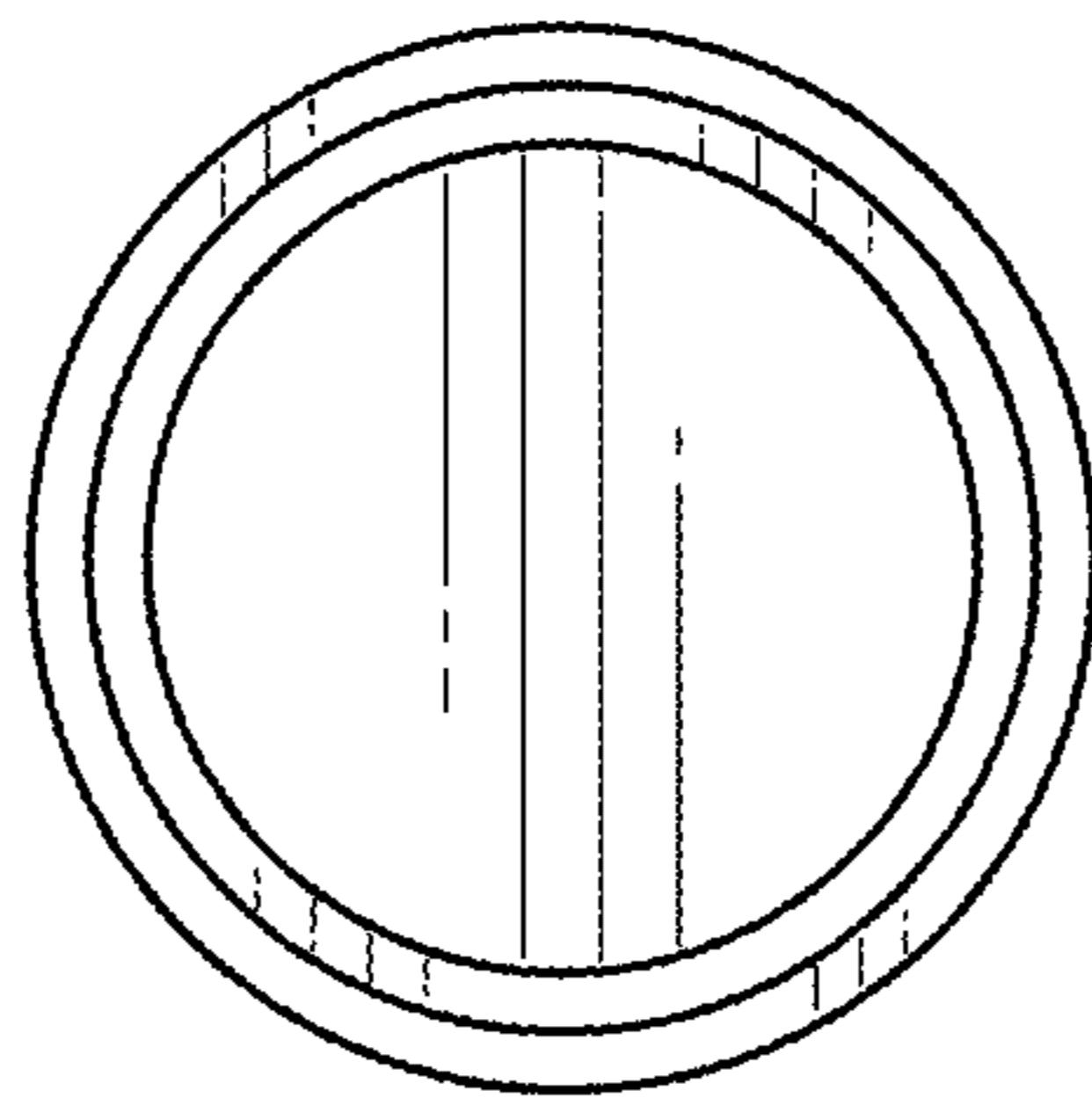


FIG. 14

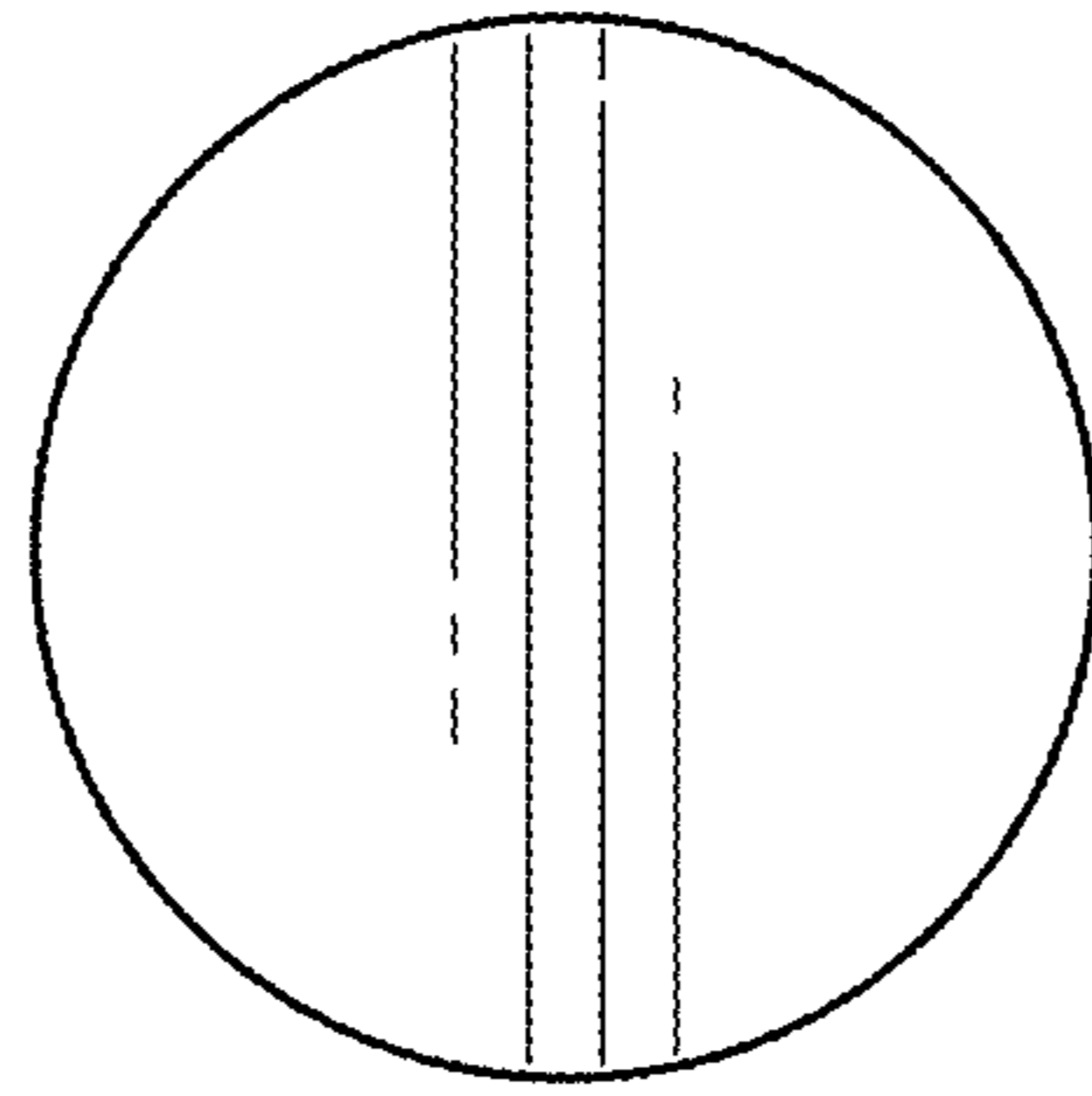


FIG. 15