



US00D784099S

(12) **United States Design Patent**
Mitchell

(10) **Patent No.:** **US D784,099 S**
(45) **Date of Patent:** **** Apr. 18, 2017**

- (54) **OIL FILTER REMOVAL TOOL**
- (71) Applicant: **Private Brand Tools Australia Pty Ltd, Archerfield (AU)**
- (72) Inventor: **David Mitchell, Carina Heights (AU)**
- (73) Assignee: **Private Brand Tools Australia Pty Ltd, Archerfield (AU)**
- (**) Term: **15 Years**
- (21) Appl. No.: **29/557,574**
- (22) Filed: **Mar. 10, 2016**
- (51) **LOC (10) Cl.** **08-05**
- (52) **U.S. Cl.**
USPC **D8/21**
- (58) **Field of Classification Search**
USPC D8/21-29; 81/60, 177.1, 177.85, 121.1, 81/124.3, 165-170, 110.1, 176.2, 124.6, 81/176.1, 176.15, 177.2; 16/110.1; D15/144.1; 219/75, 227, 229, 121.16, 219/121.18
CPC B25B 27/00
See application file for complete search history.

5,207,131 A 5/1993 Pool et al.
5,259,426 A * 11/1993 Burleigh B25B 27/0042
141/331
7,107,878 B1 * 9/2006 Jerantowski B25B 27/0042
81/120

(Continued)

OTHER PUBLICATIONS

ECS Tuning, "14 Flute Aluminum Oil Filter Socket", https://www.ecstuning.com/Search/SiteSearch/Oil_Filter_Socket/ES2766026/, accessed on Feb. 26, 2016.

(Continued)

Primary Examiner — Randal Gholson

(74) *Attorney, Agent, or Firm* — Armstrong Teasdale LLP

(57) **CLAIM**

I claim the ornamental design for an oil filter removal tool, as shown and described.

DESCRIPTION

FIG. 1 is a perspective view of an oil filter removal tool showing my new design.

FIG. 2 is a front elevation view of the oil filter removal tool shown in FIG. 1.

FIG. 3 is a rear elevation view of the oil filter removal tool shown in FIG. 1.

FIG. 4 is a right side elevation view of the oil filter removal tool shown in FIG. 1.

FIG. 5 is a left side elevation view of the oil filter removal tool shown in FIG. 1.

FIG. 6 is a top plan view of the oil filter removal tool shown in FIG. 1; and,

FIG. 7 is a bottom plan view of the oil filter removal tool shown in FIG. 1.

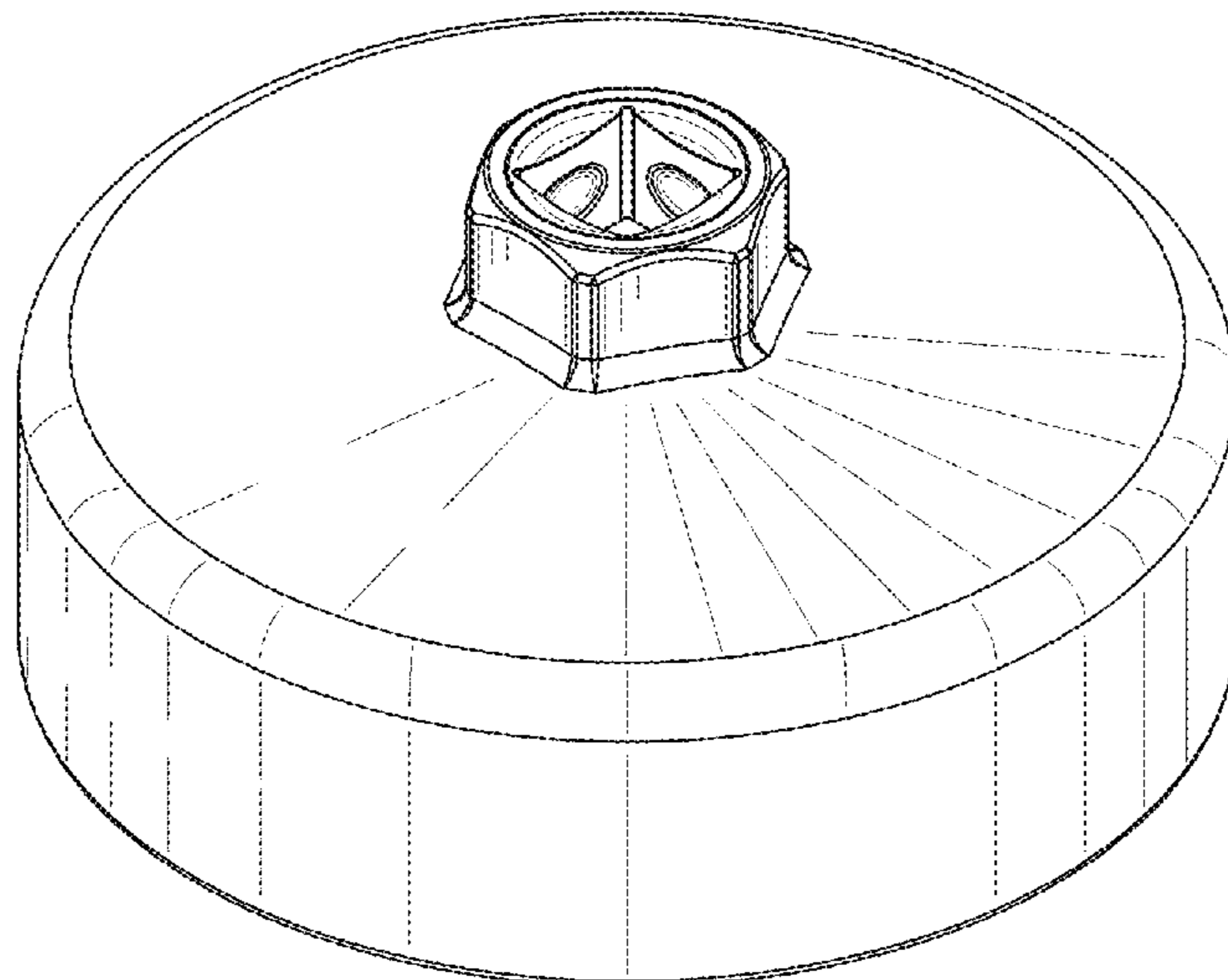
The ornamental design which is claimed is shown in solid lines in the drawings. Broken lines, if present in the drawings, are for illustrative purposes only and form no part of the claimed design.

(56) **References Cited**

U.S. PATENT DOCUMENTS

- D228,869 S 10/1973 Barnes et al.
- 3,853,026 A 12/1974 Rhodes
- 4,266,452 A 5/1981 Crist
- 4,451,368 A * 5/1984 Pandelena B01D 35/31
210/238
- 4,643,053 A 2/1987 Rhodes
- 4,714,138 A * 12/1987 Zaccone B25B 27/0042
137/320
- D302,928 S * 8/1989 Kurtovic D8/33
- 5,154,102 A 10/1992 Becker

1 Claim, 7 Drawing Sheets



(56)

References Cited

U.S. PATENT DOCUMENTS

7,241,385 B1 * 7/2007 Cline B01D 35/30
210/232
7,637,120 B1 * 12/2009 Doss F25D 3/02
62/378
D668,519 S * 10/2012 Berlencourt D8/21

OTHER PUBLICATIONS

ECS Tuning, "32mm 6-Point Oil Filter Socket— $\frac{3}{8}$ " Drive", https://www.ecstuning.com/Search/SiteSearch/Oil_Filter_Socket/ES2730723/, accessed on Feb. 26, 2016.
ECS Tuning, "Oil Filter Wrench", https://www.ecstuning.com/Search/SiteSearch/Oil_Filter_Socket/ES199953/, accessed on Feb. 26, 2016.
ECS Tuning, "Oil Filter Wrench", https://www.ecstuning.com/Search/SiteSearch/Oil_Filter_Socket/ES1355436/, accessed on Feb. 26, 2016.
ECS Tuning, "Steel Oil Filter Removal Socket— $\frac{3}{8}$ " Drive", https://www.ecstuning.com/ES8202/?gclid=Cj0KEQiArJe1BRDe_uz1uu-QjvYBEiQACUj6osdNEwixNQ829ZavqG-u3U-0AcLn_uV0ITj-3l2t_q8aAul08P8HAQ, accessed on Feb. 26, 2016.

* cited by examiner

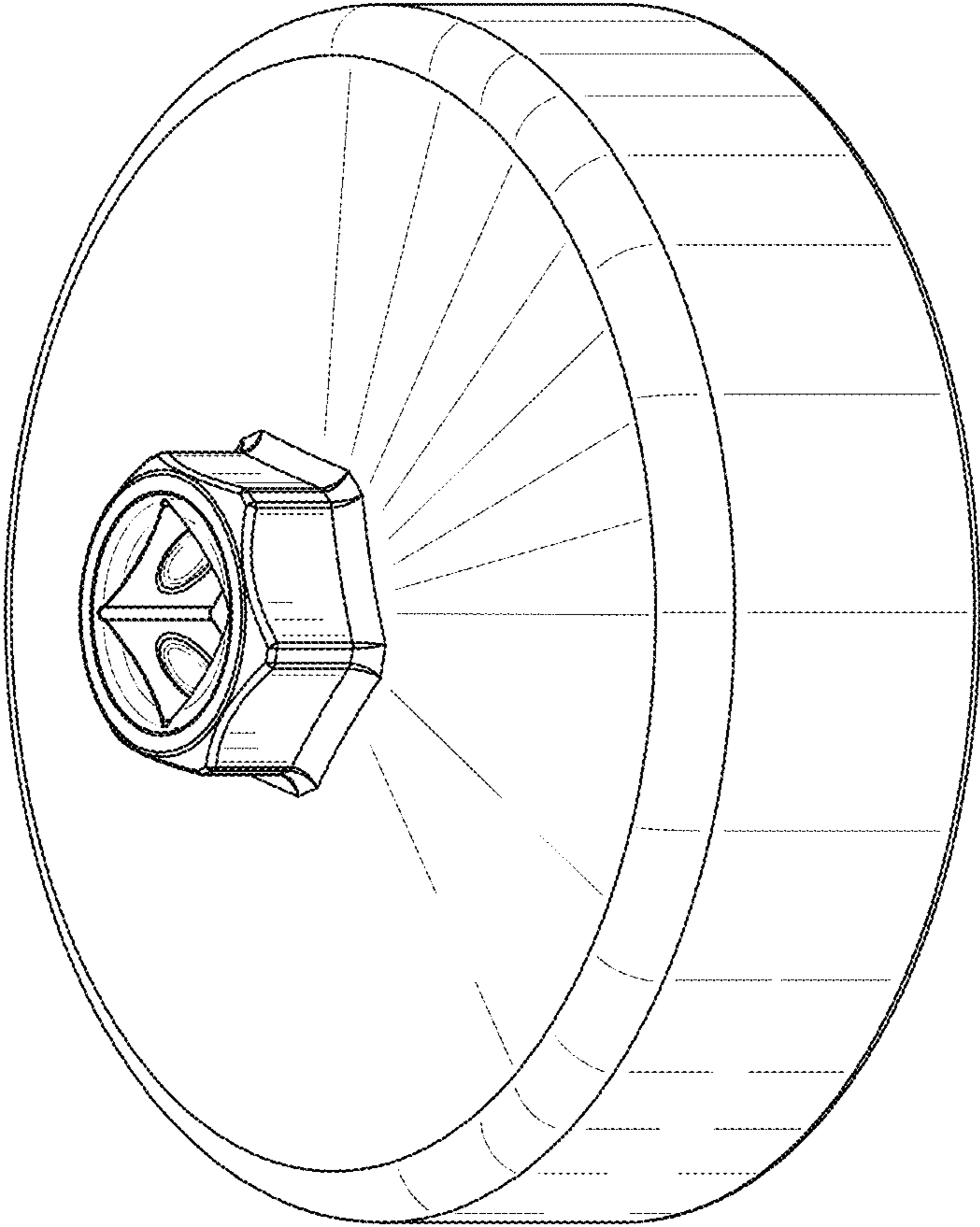


FIG. 1

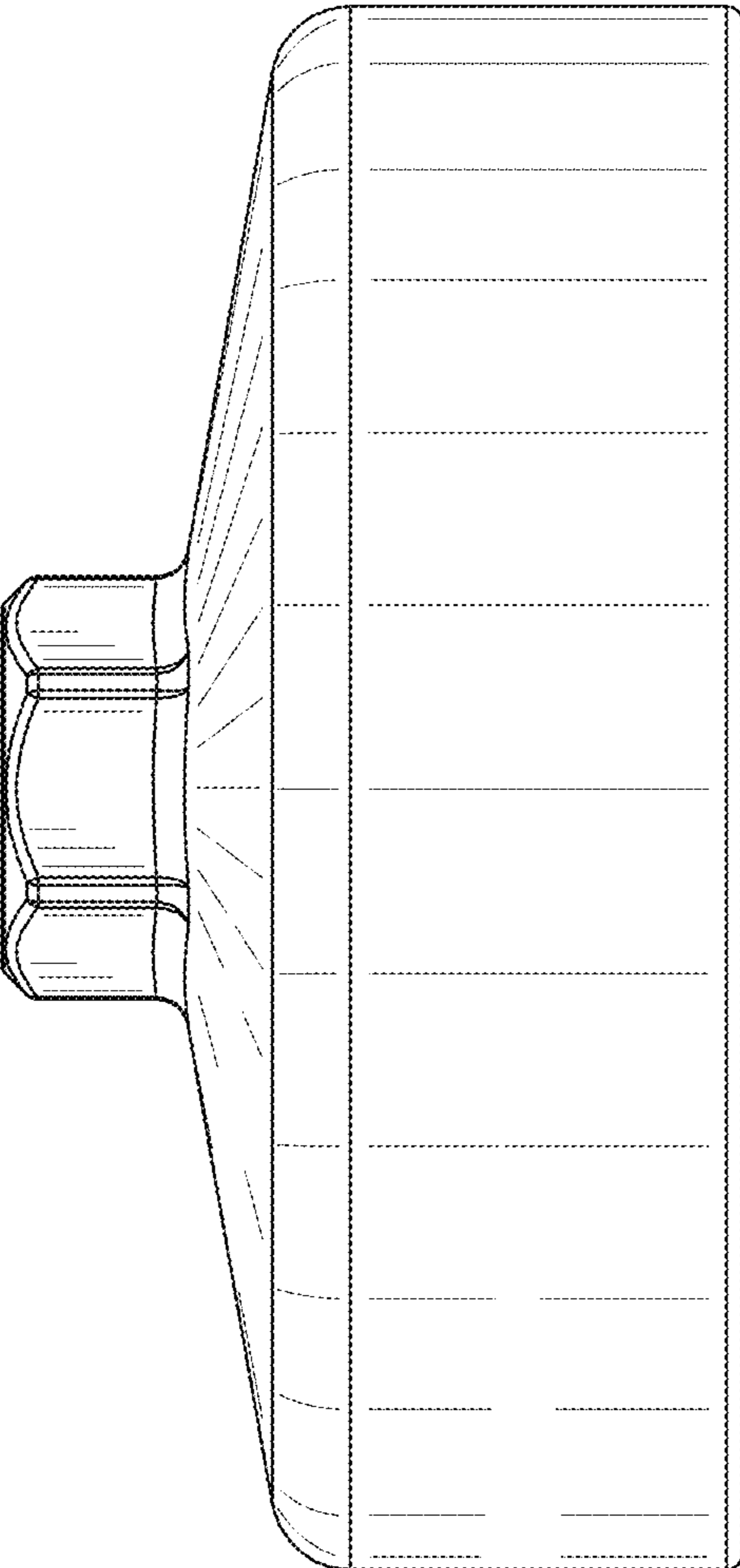


FIG. 2

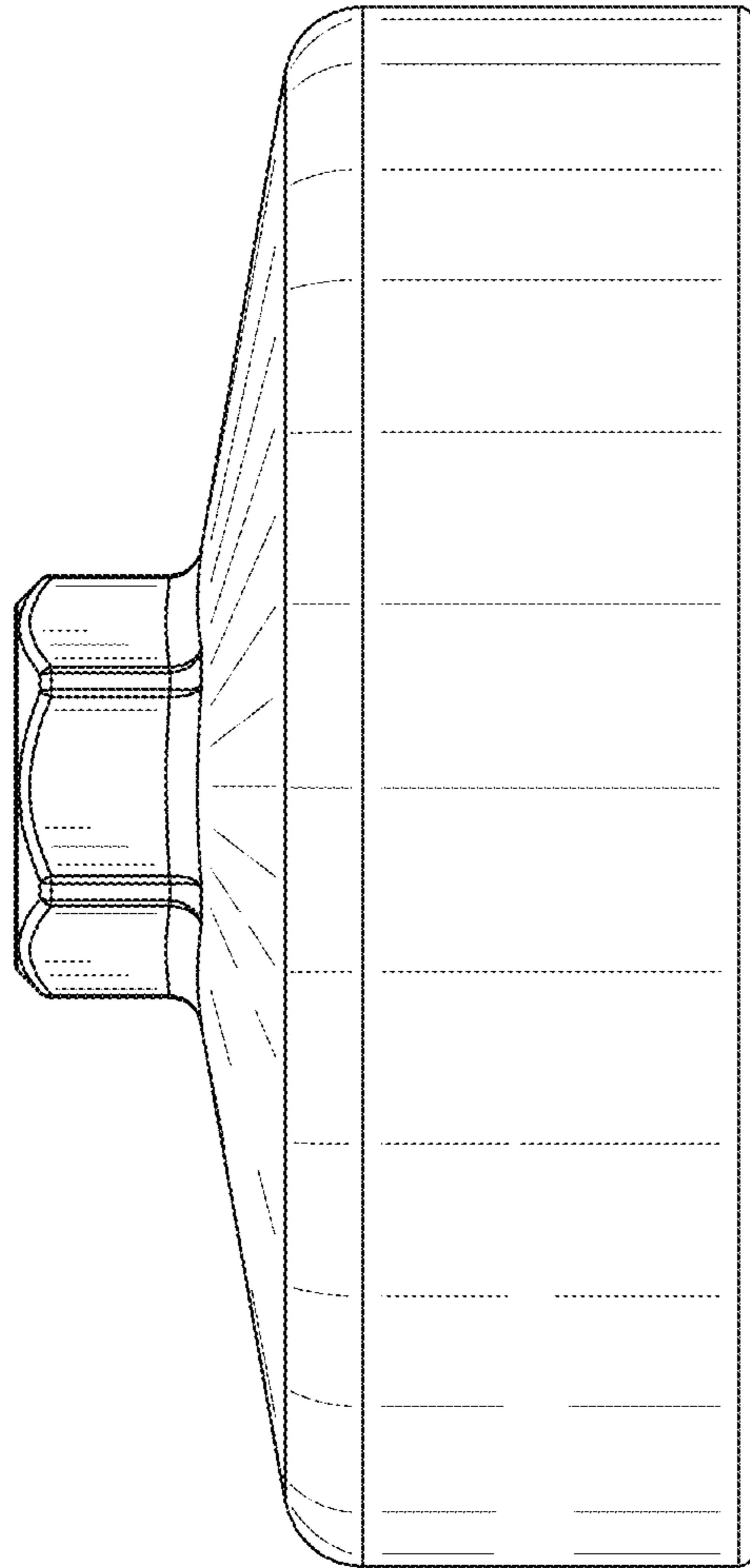


FIG. 3

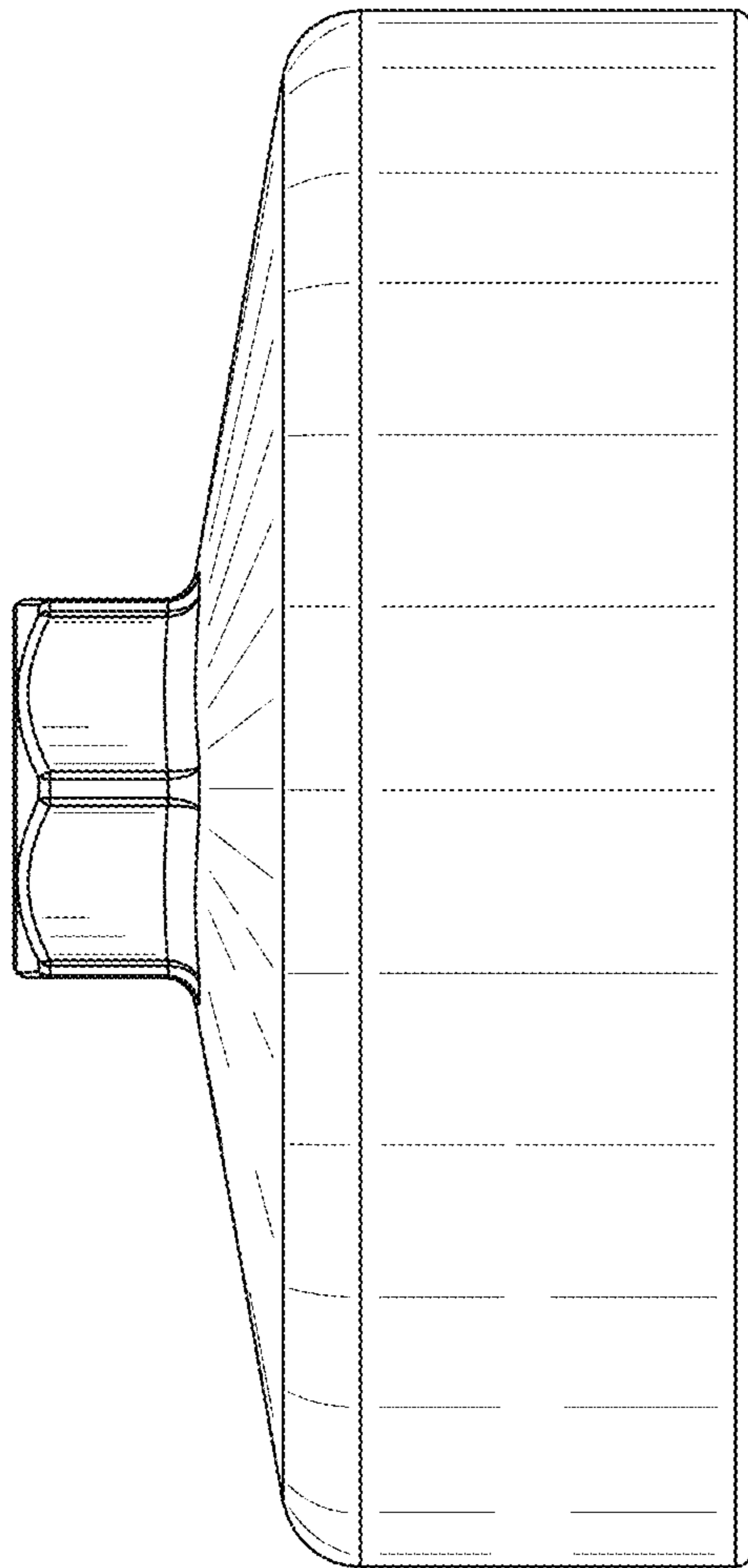


FIG. 4

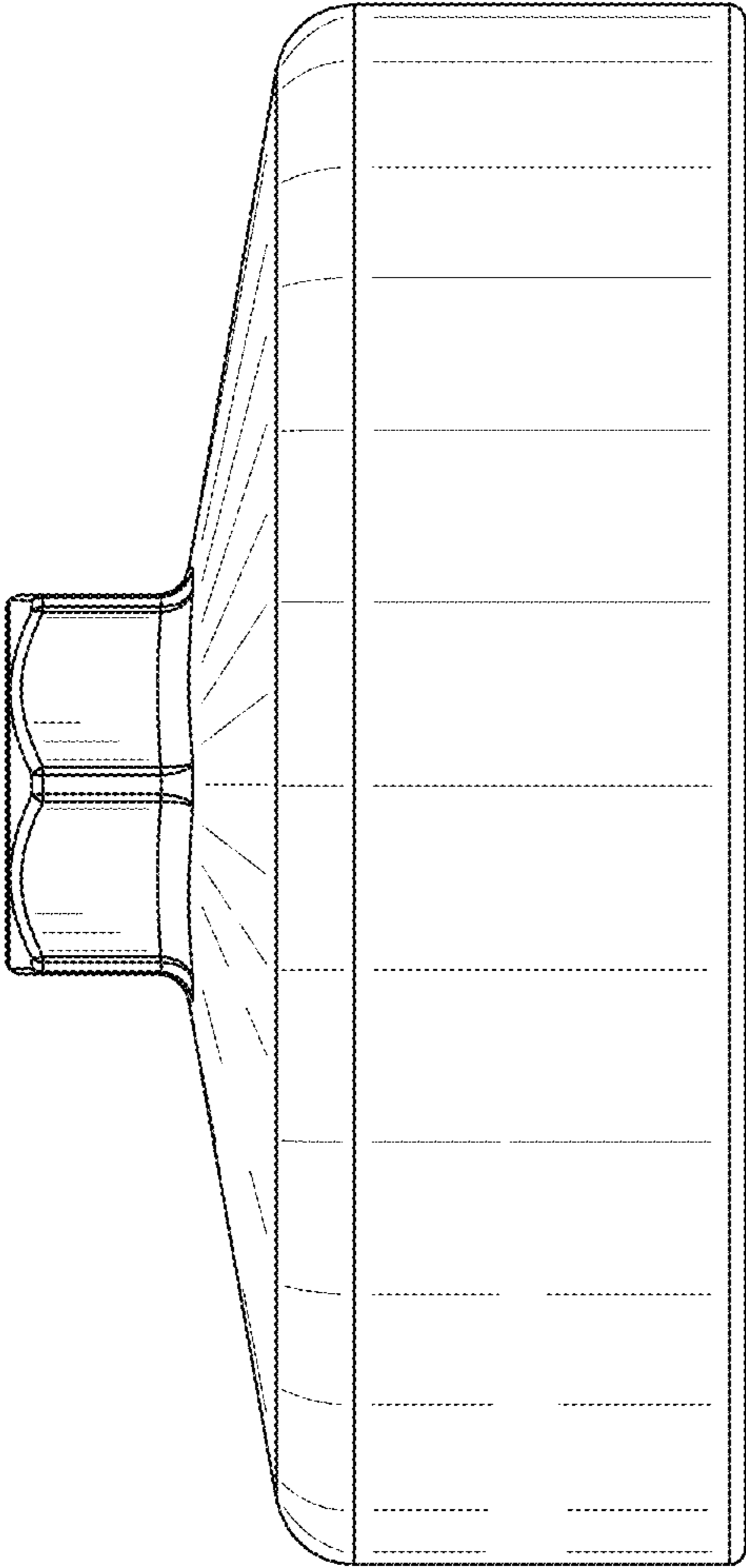


FIG. 5

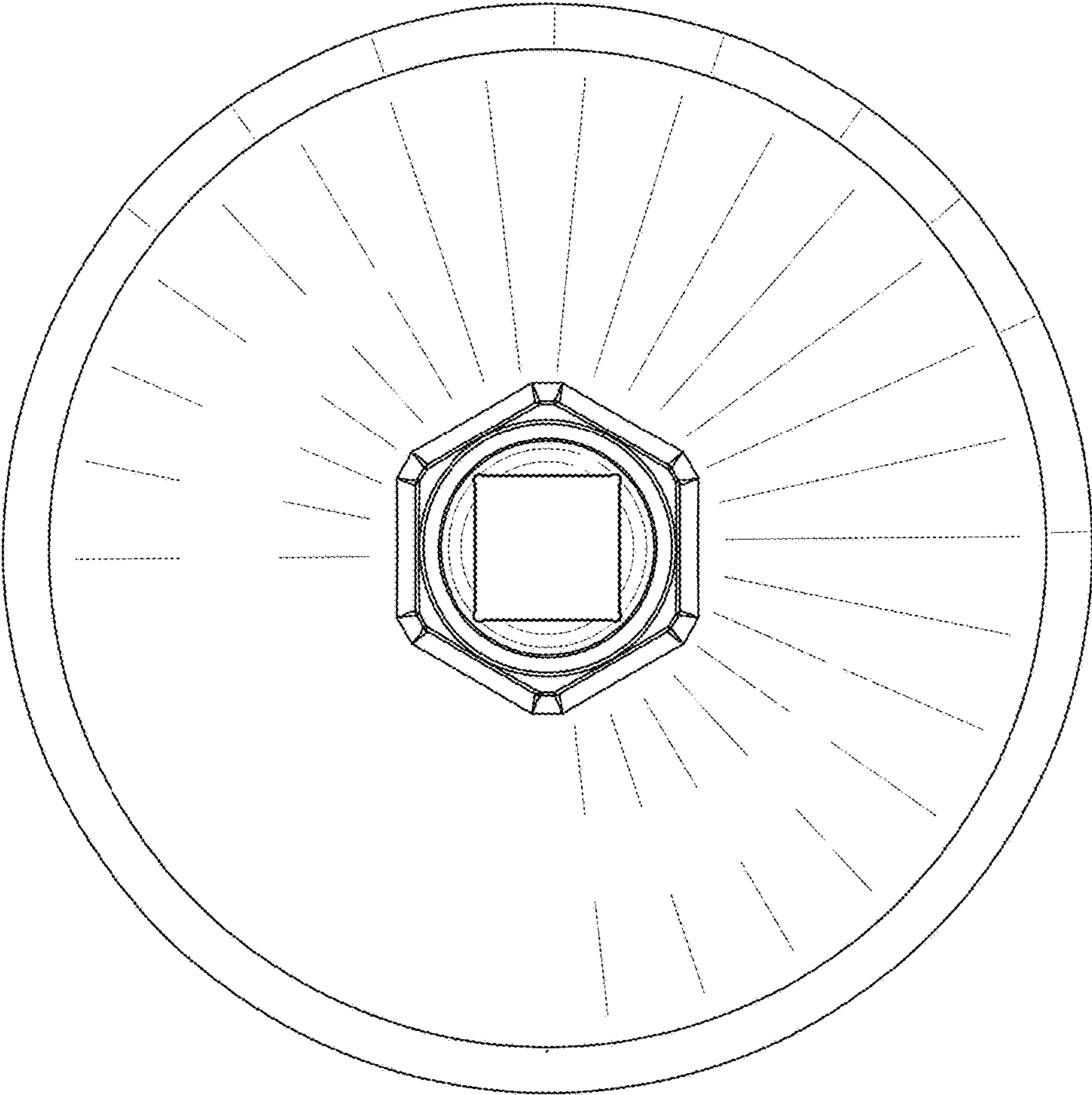


FIG. 6

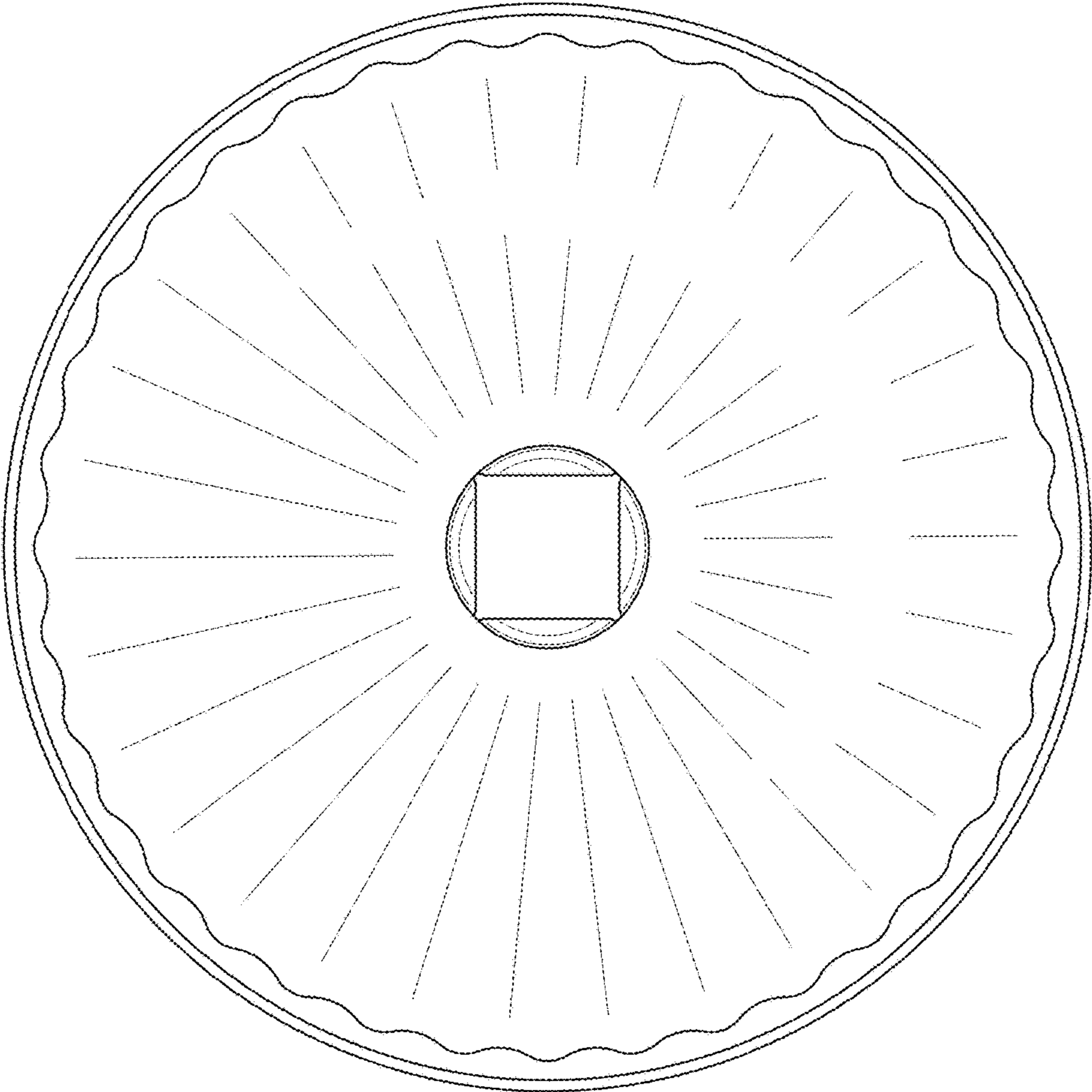


FIG. 7