



US00D784098S

(12) **United States Design Patent**  
**Larouche**

(10) **Patent No.:** **US D784,098 S**  
(45) **Date of Patent:** **\*\* Apr. 18, 2017**

- (54) **POOL HOOK**
- (71) Applicant: **CPA POOL PRODUCTS, INC.,**  
Blainville (CA)
- (72) Inventor: **Annie Larouche,** Mascouche (CA)
- (73) Assignee: **CPA POOL PRODUCTS, INC.,**  
Blainville (CA)
- (\*\*) Term: **15 Years**
- (21) Appl. No.: **29/554,213**
- (22) Filed: **Feb. 9, 2016**
- (51) **LOC (10) Cl.** ..... **08-05**
- (52) **U.S. Cl.**  
USPC ..... **D8/14**
- (58) **Field of Classification Search**  
USPC ..... D8/14, 51, 88, 89, 367  
CPC .. B63B 21/00; B63B 21/54; B25J 1/00; B25J  
1/04  
See application file for complete search history.

- 3,888,535 A \* 6/1975 Rosso ..... A62C 33/00  
294/175
- 4,037,554 A \* 7/1977 Foscolo ..... B63B 21/54  
114/221 R
- D273,078 S \* 3/1984 Boreback ..... D8/31
- D328,701 S \* 8/1992 Warnecke ..... D8/14
- D338,602 S \* 8/1993 Schaumburg ..... D8/14
- 6,412,432 B1 \* 7/2002 White ..... B63B 21/04  
114/221 R

\* cited by examiner

*Primary Examiner* — Phillip S Hyder

(74) *Attorney, Agent, or Firm* — Hodgson Russ LLP

(57) **CLAIM**

The ornamental design for a pool hook, as shown and described.

**DESCRIPTION**

FIG. 1 is a perspective view of a pool hook showing my new design;  
 FIG. 2 is a front elevational view thereof;  
 FIG. 3 is a rear elevational view thereof;  
 FIG. 4 is a right side elevational view thereof;  
 FIG. 5 is a left side elevational view thereof;  
 FIG. 6 is a top view thereof; and,  
 FIG. 7 is a bottom view thereof.

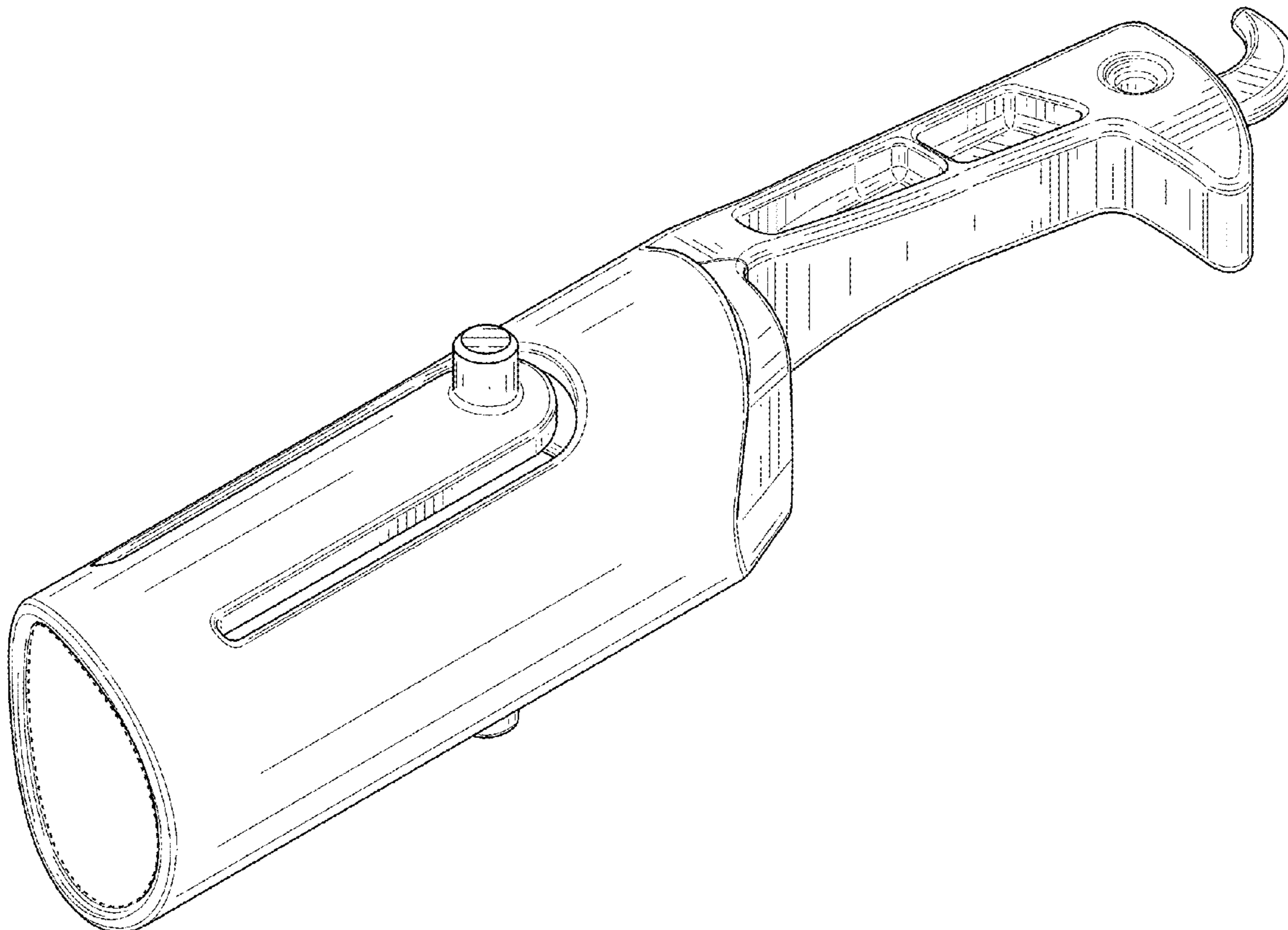
The dashed line indicates an unclaimed boundary between claimed and unclaimed surfaces.

(56) **References Cited**

**U.S. PATENT DOCUMENTS**

- 2,550,770 A \* 5/1951 Calemmo ..... B63B 21/54  
114/221 R
- 3,048,139 A \* 8/1962 Duckett ..... B63B 17/00  
114/221 R

**1 Claim, 6 Drawing Sheets**



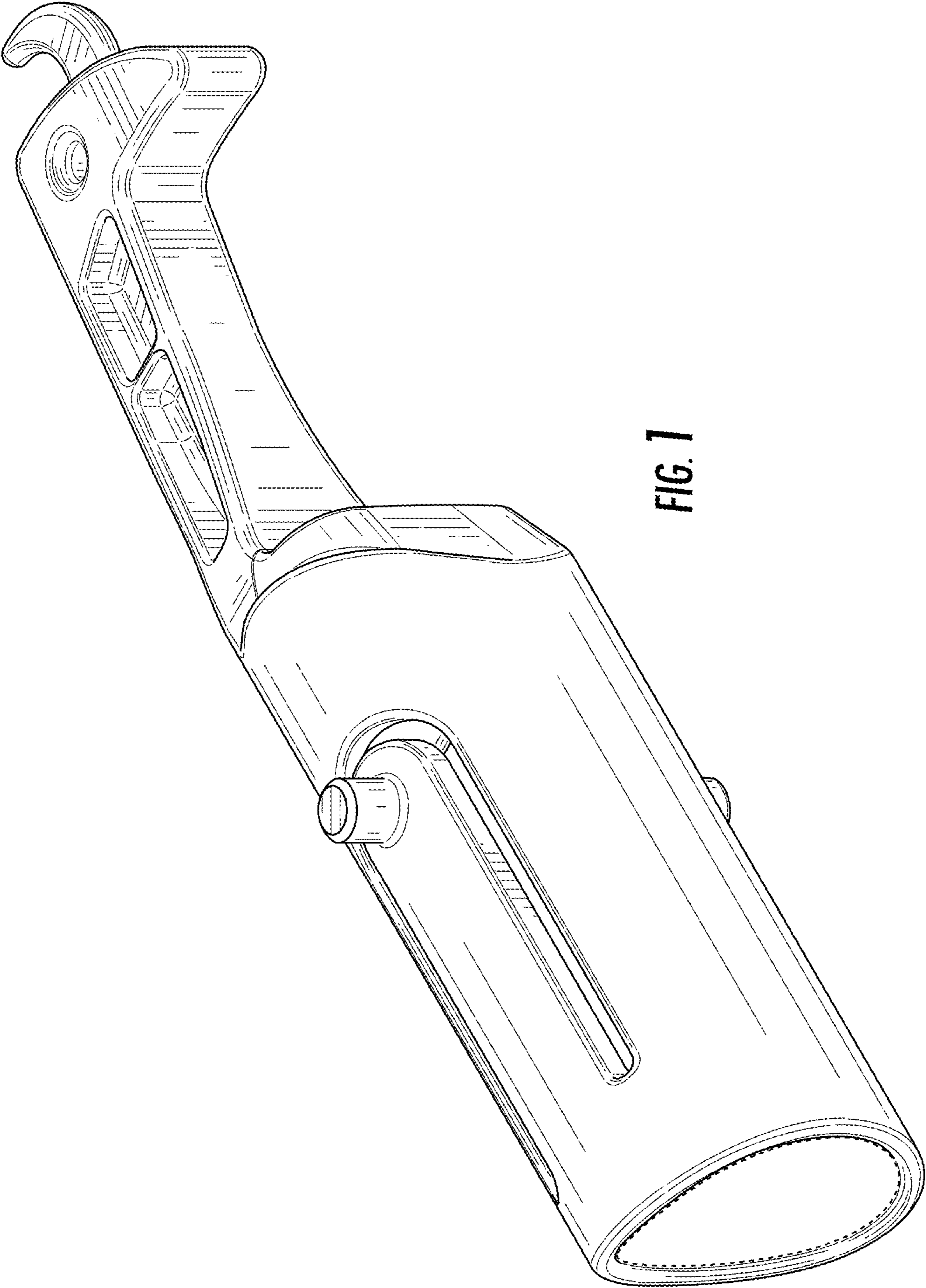


FIG. 1

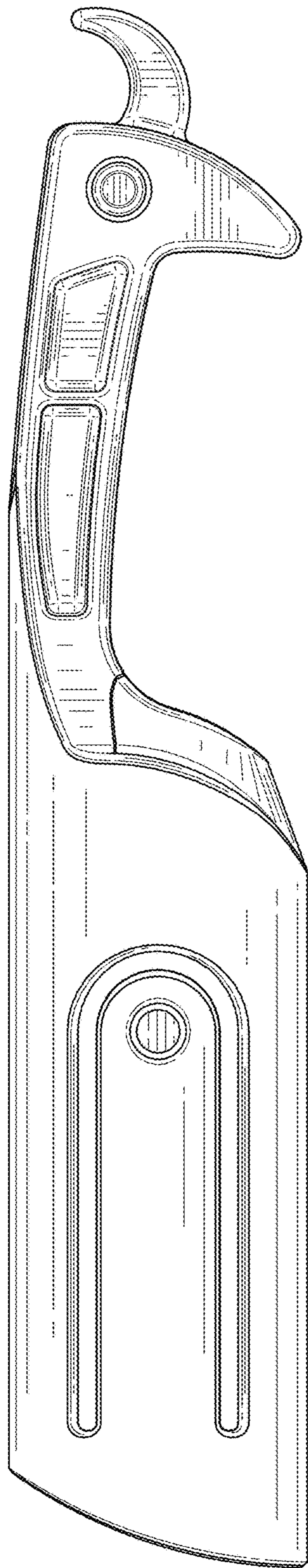


FIG. 2



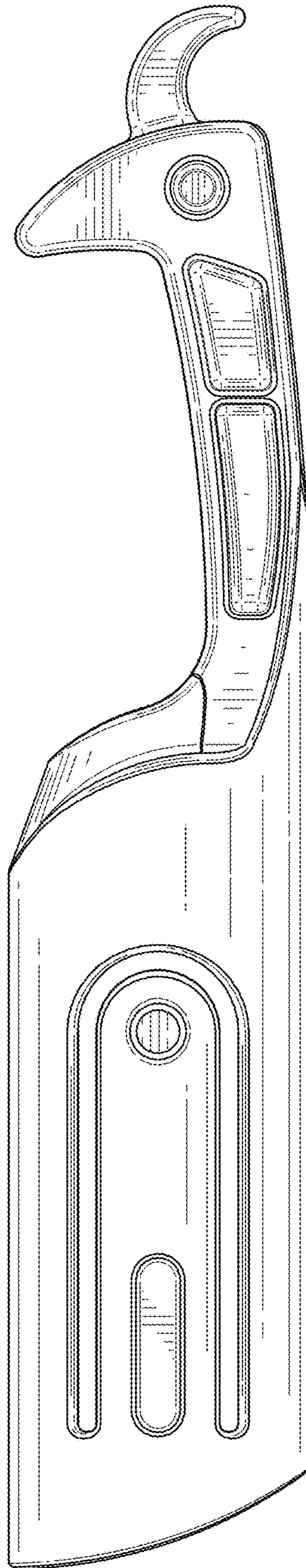


FIG. 3

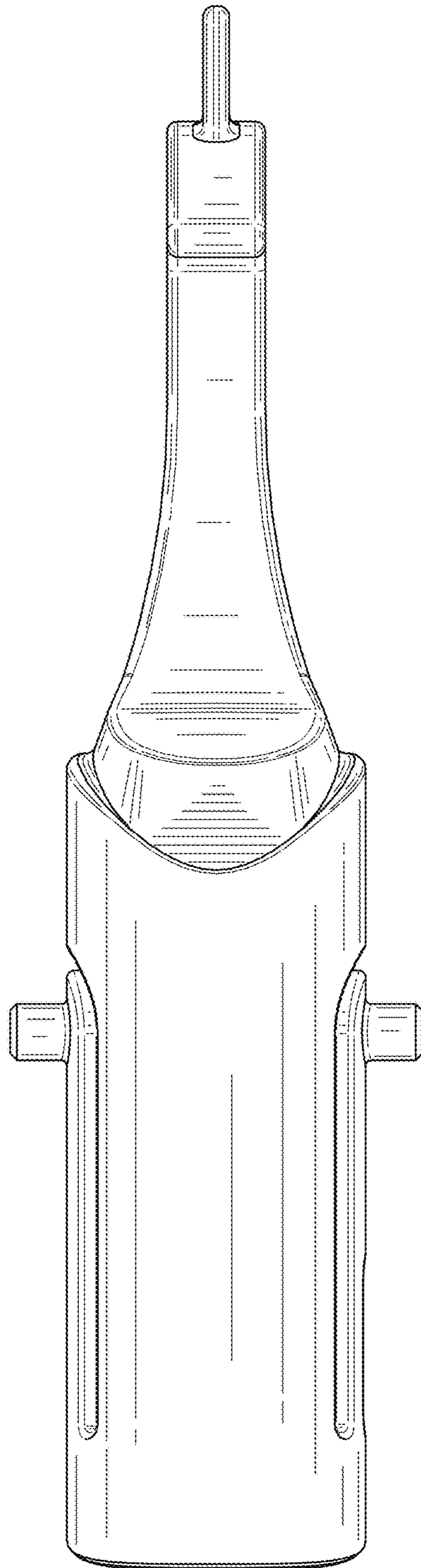


FIG. 4

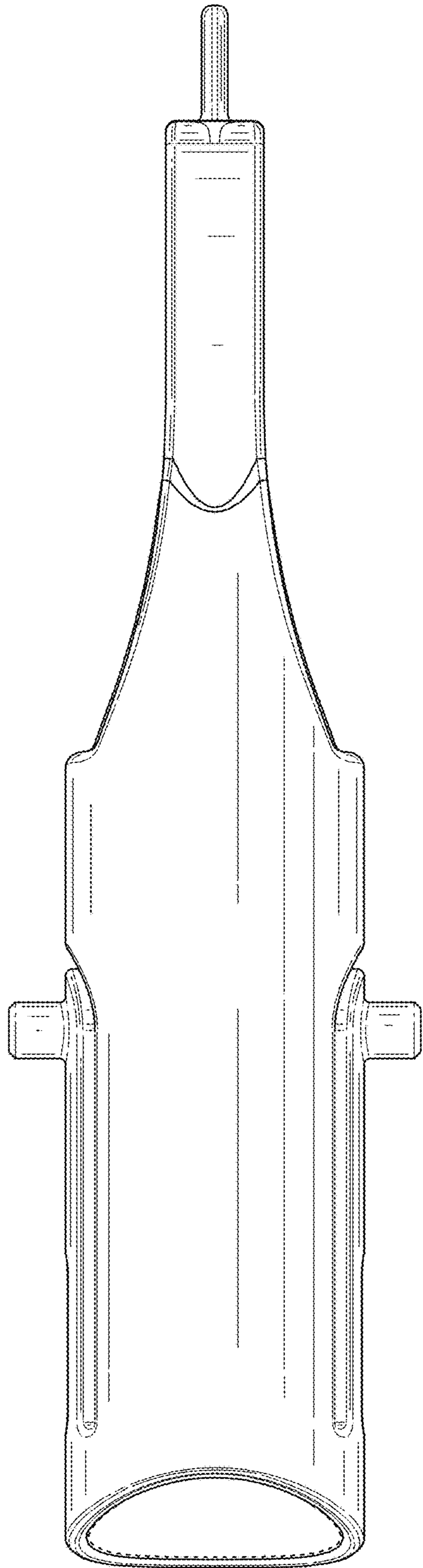
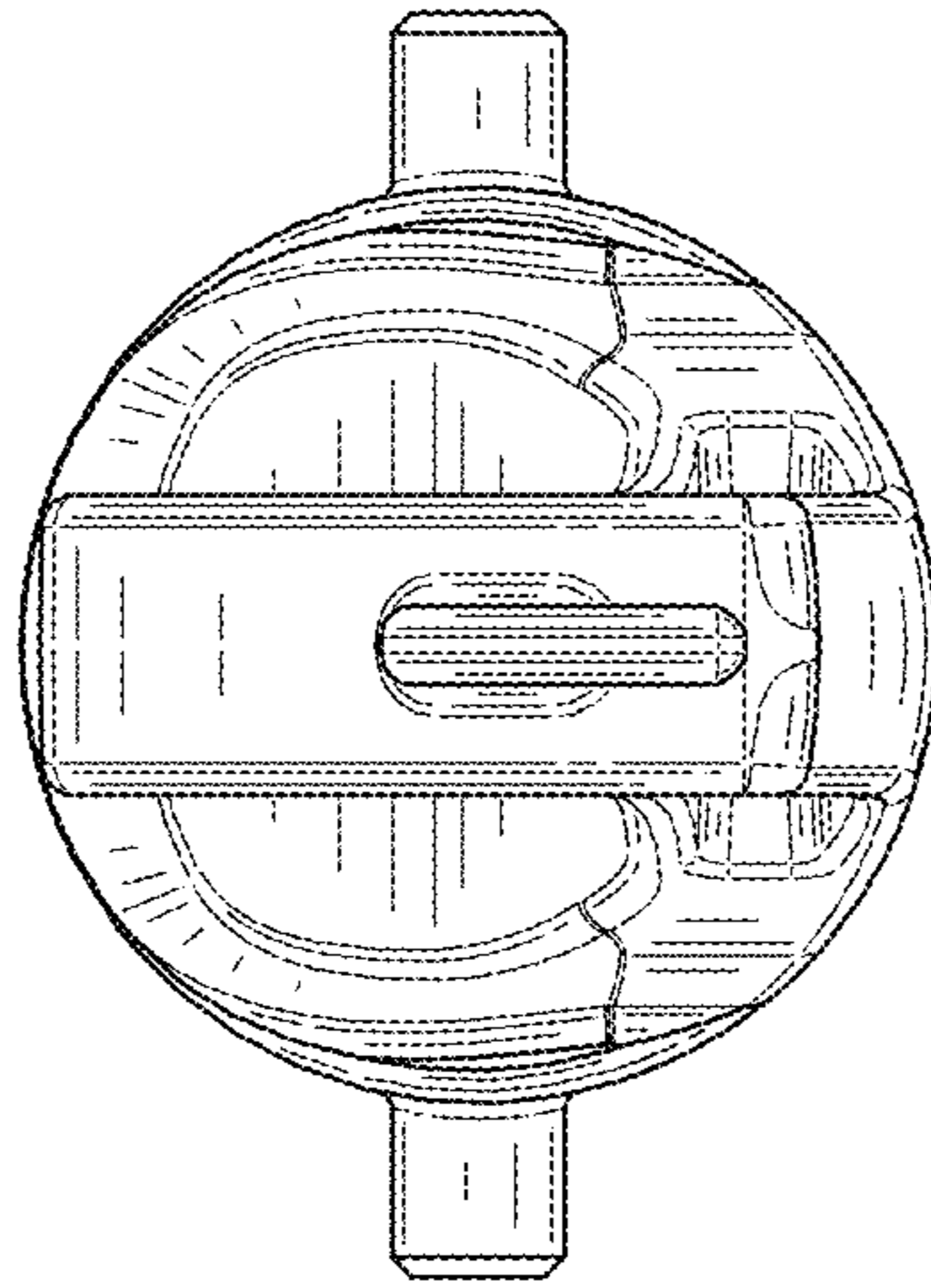
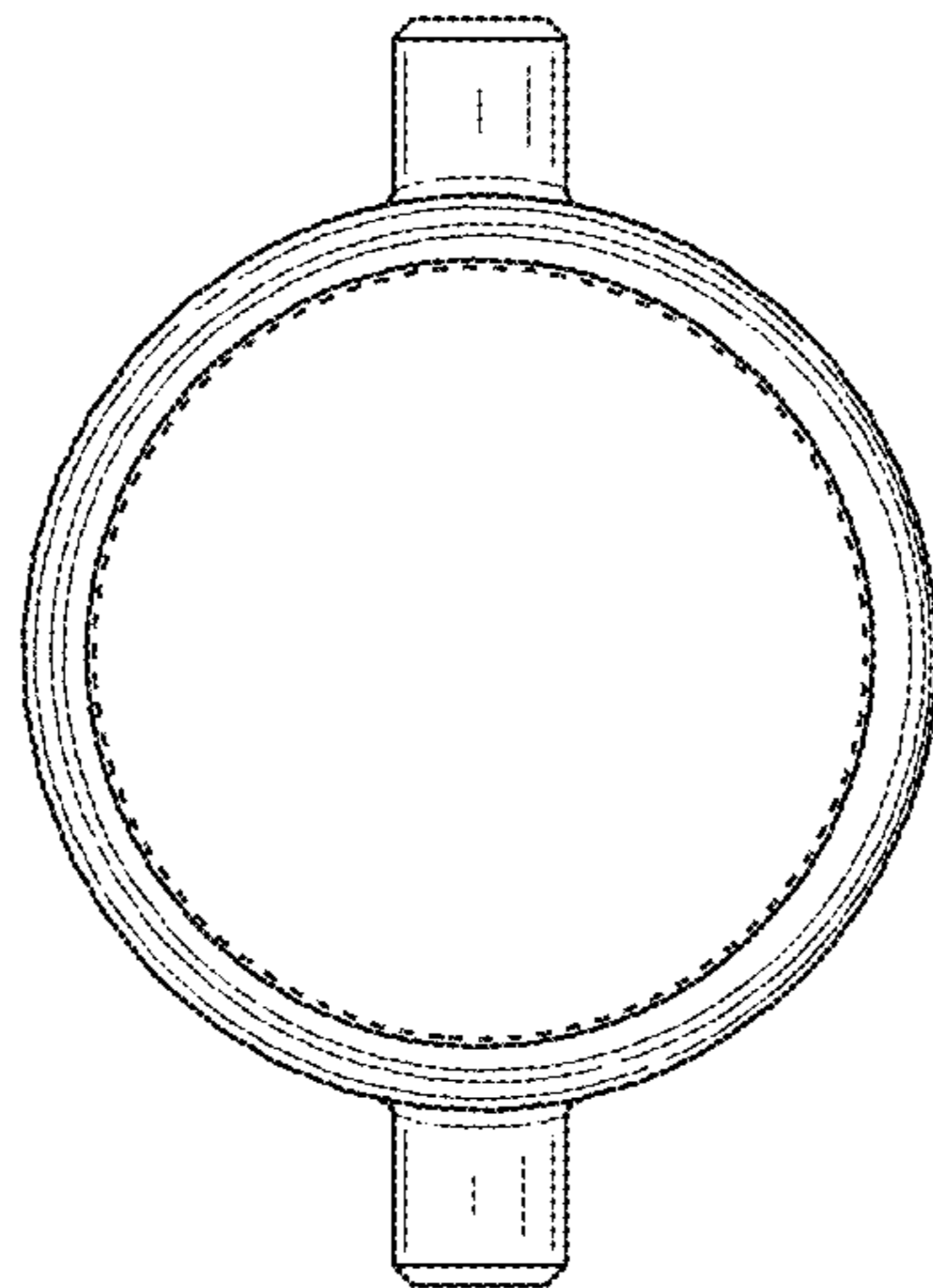


FIG. 5



**FIG. 6**



**FIG. 7**