



US00D784097S

(12) **United States Design Patent**  
**Bowden**

(10) **Patent No.:** **US D784,097 S**

(45) **Date of Patent:** **\*\* Apr. 18, 2017**

(54) **HAND RAKE**

(71) Applicant: **Warren C. Bowden**, Paradise, CA (US)

(72) Inventor: **Warren C. Bowden**, Paradise, CA (US)

(\*\*) Term: **15 Years**

(21) Appl. No.: **29/554,199**

(22) Filed: **Feb. 9, 2016**

**Related U.S. Application Data**

(63) Continuation-in-part of application No. 13/343,757, filed on Jan. 5, 2012, now abandoned, and a continuation of application No. 13/843,903, filed on Mar. 15, 2013, now abandoned.

(51) **LOC (10) Cl.** ..... **08-01**

(52) **U.S. Cl.**  
USPC ..... **D8/13**

(58) **Field of Classification Search**  
USPC ..... D8/1, 6, 13  
CPC ... A01D 9/00; A01D 9/02; A01D 7/10; A01D 11/06; Y10T 403/4974; E04D 15/003  
See application file for complete search history.

(56) **References Cited**

**U.S. PATENT DOCUMENTS**

245,279 A \* 8/1881 Collins ..... A01D 7/10  
24/178  
D23,660 S \* 9/1894 Gibbs ..... D8/13

D133,489 S \* 8/1942 Wurster ..... D8/6  
D311,309 S \* 10/1990 McCoy ..... D8/13  
D375,664 S \* 11/1996 Zimmer ..... D8/13  
D407,956 S \* 4/1999 Withem ..... D8/13  
D677,135 S \* 3/2013 Green ..... D8/13  
9,347,192 B1 \* 5/2016 Smith ..... E01H 1/1206  
2013/0001966 A1 \* 1/2013 Bowden ..... A01D 7/06  
294/52  
2014/0260172 A1 \* 9/2014 Bowden ..... A01D 11/06  
56/400.21

\* cited by examiner

*Primary Examiner* — Sheryl Lane

(74) *Attorney, Agent, or Firm* — Tran & Associates

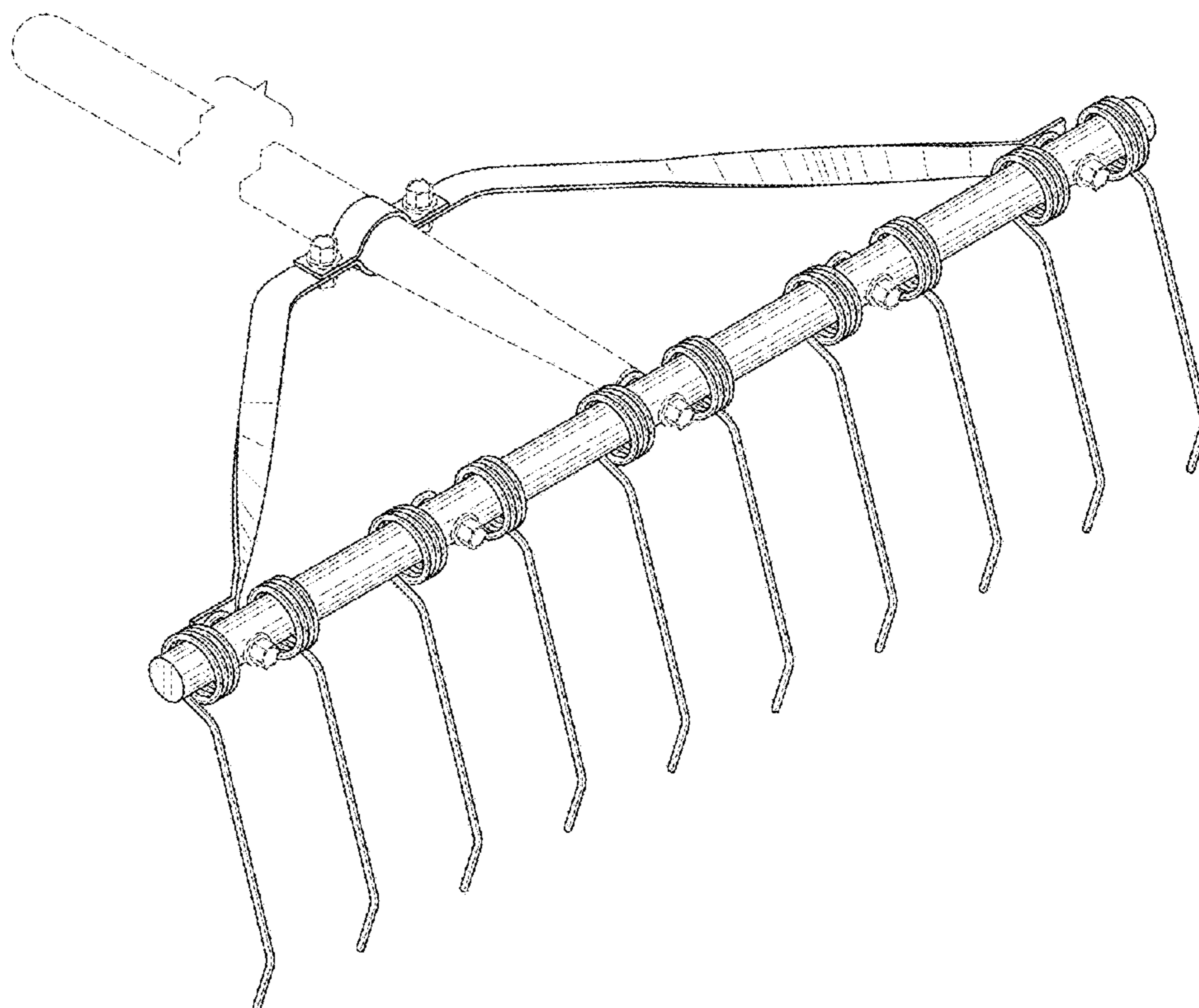
(57) **CLAIM**

The ornamental design for a hand rake, as shown and described.

**DESCRIPTION**

FIG. 1 is a perspective view of a rake showing my design; FIG. 2 is a front view thereof; FIG. 3 is a back view of FIG. 2; FIG. 4 is a right side view thereof; FIG. 5 is a left side view thereof; FIG. 6 is a top view thereof; and, FIG. 7 is a bottom view thereof. The broken lines represent portions of the article and form no part of the claimed design.

**1 Claim, 6 Drawing Sheets**



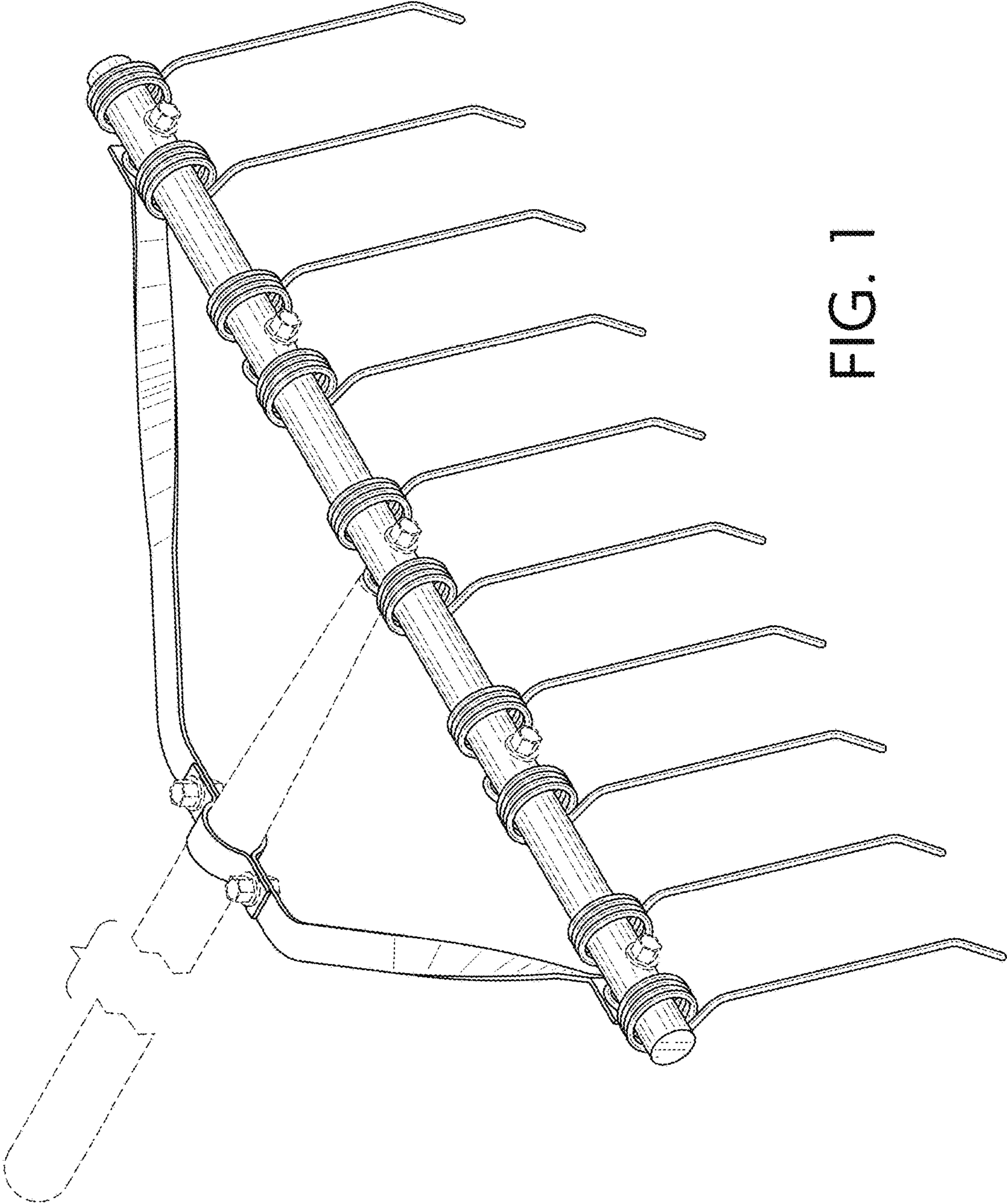


FIG. 1

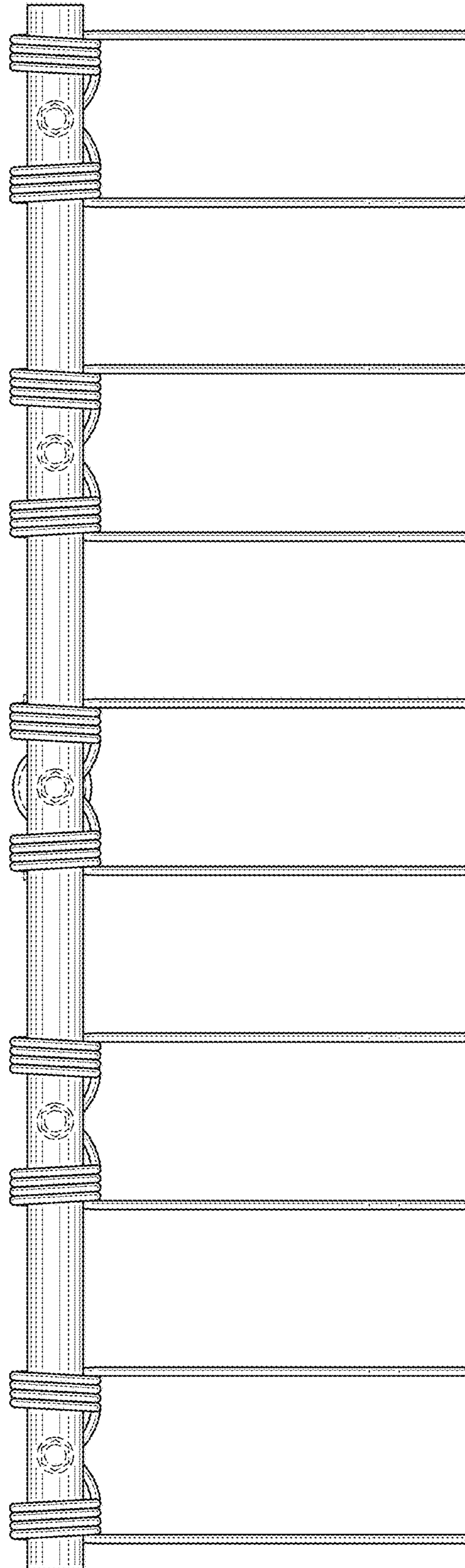


FIG. 2

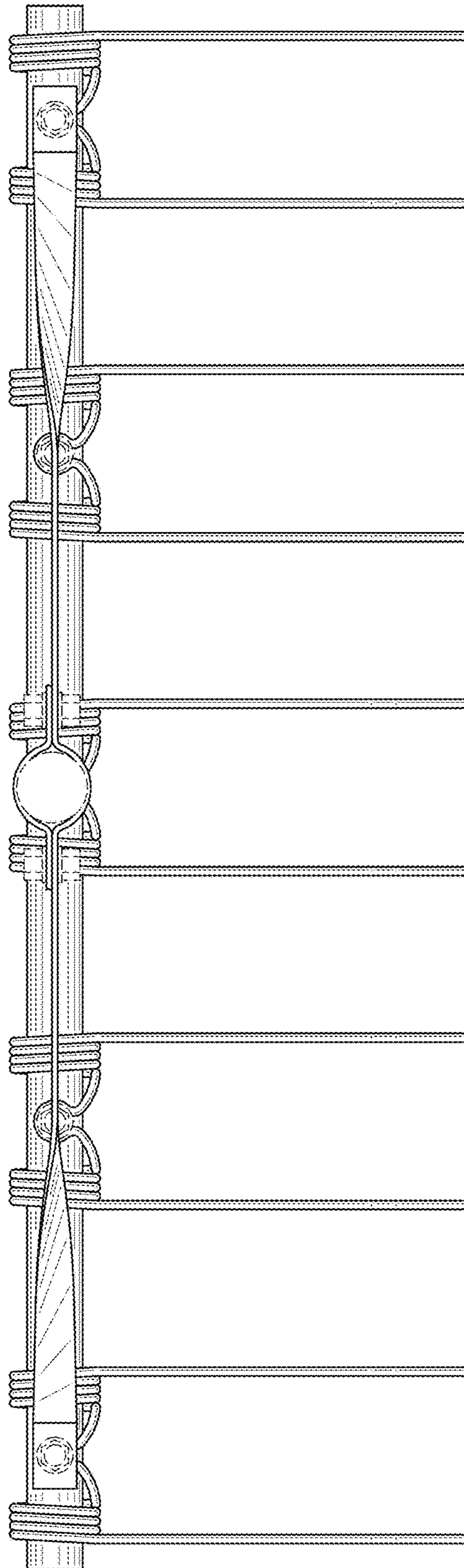


FIG. 3

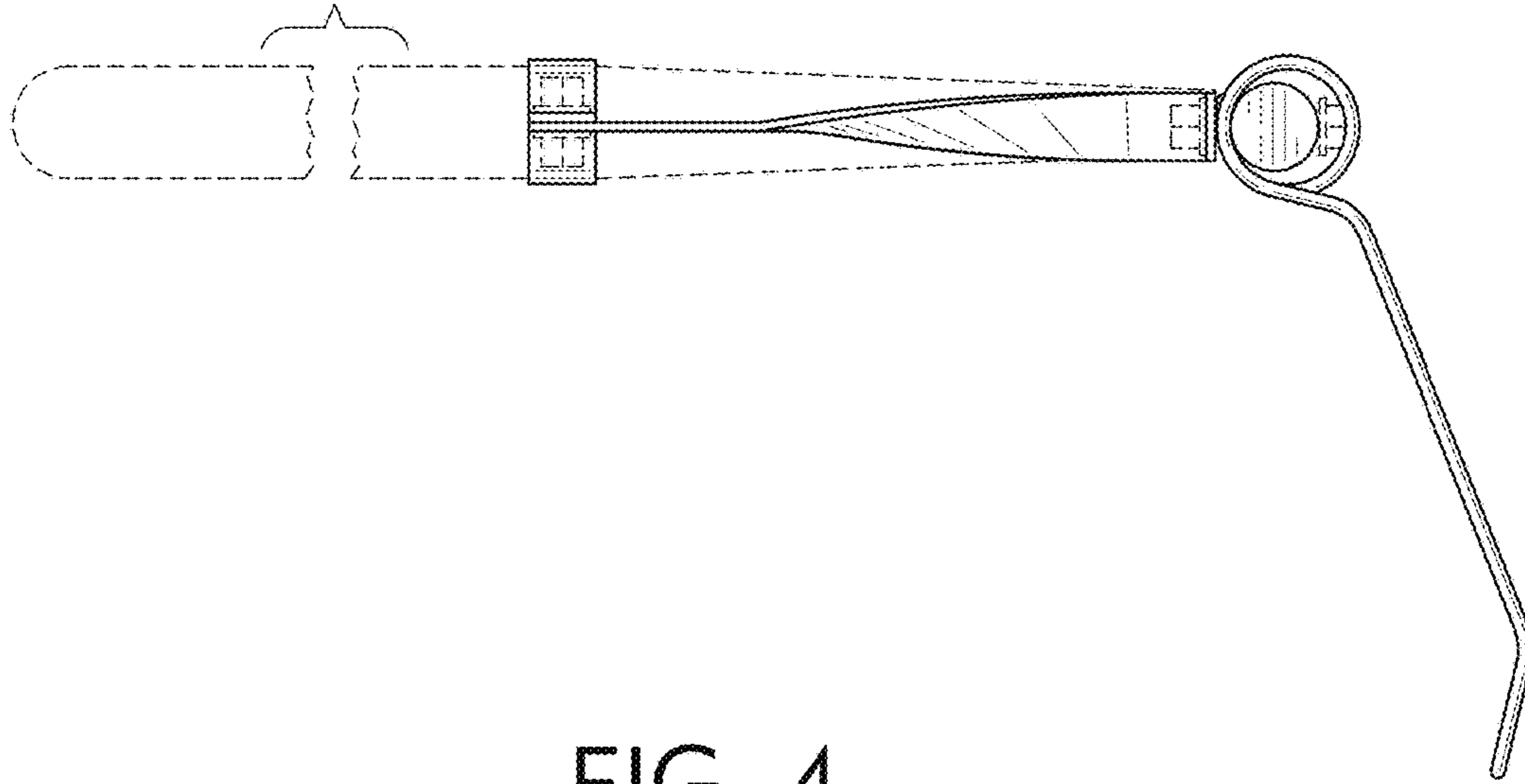


FIG. 4

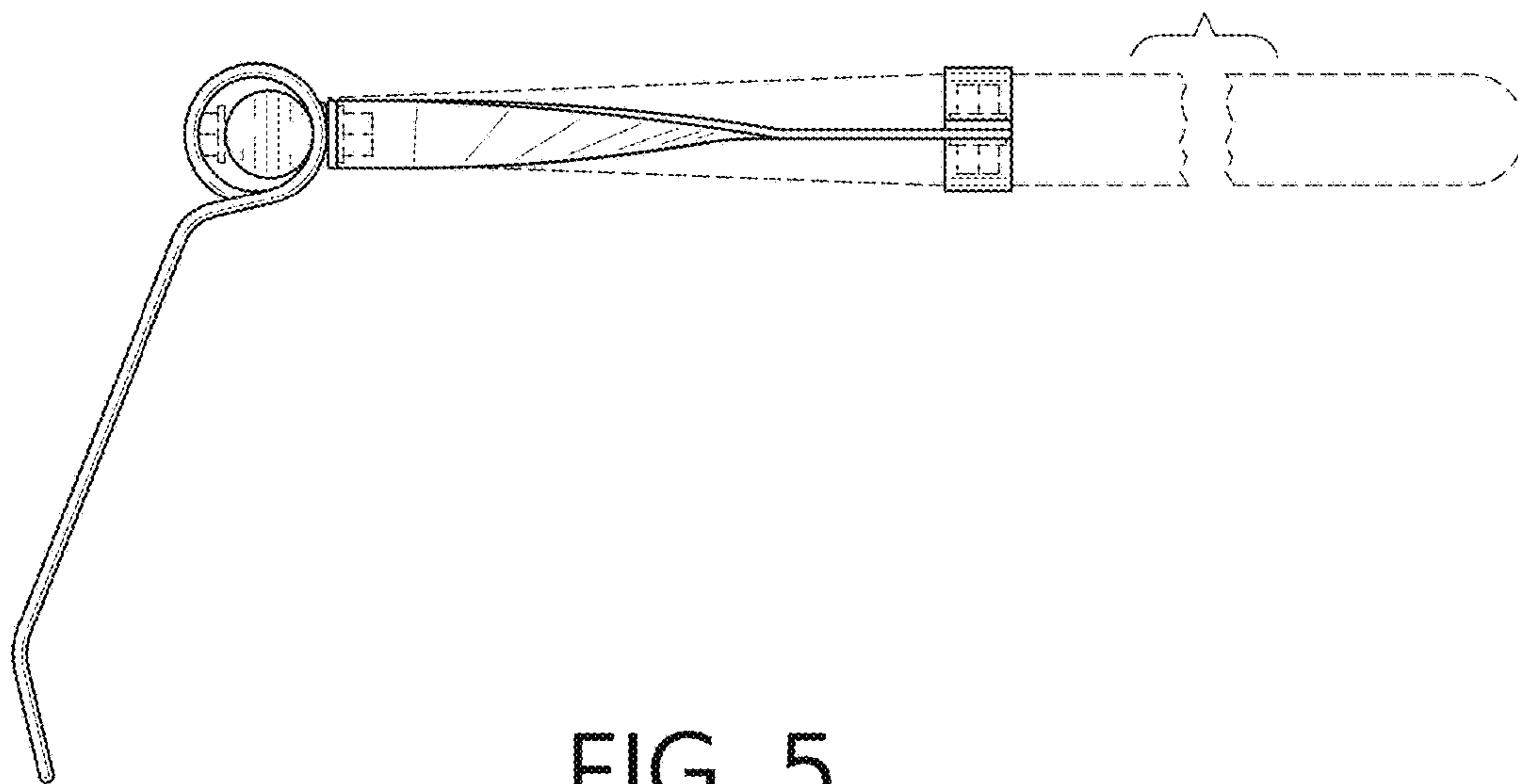


FIG. 5

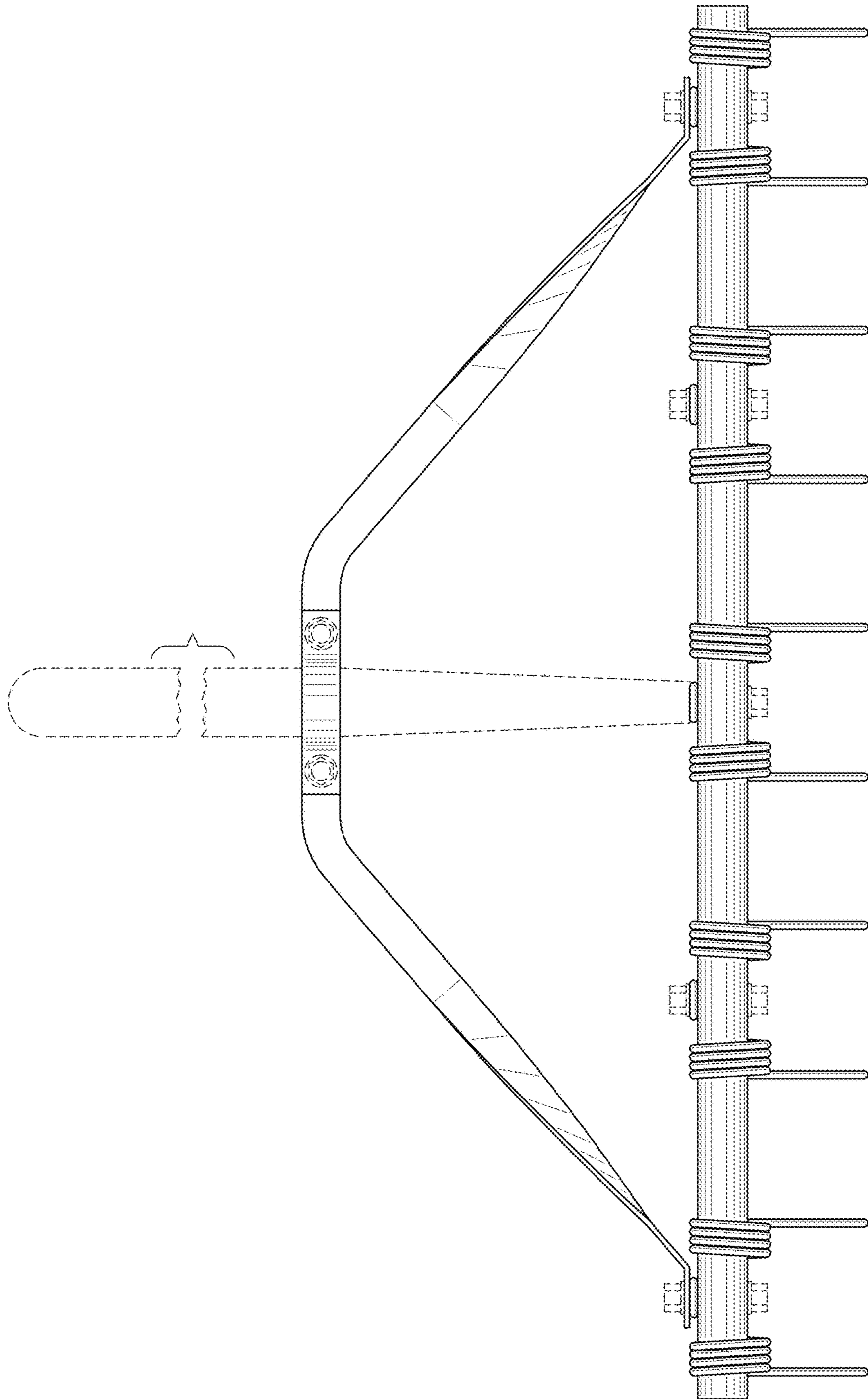


FIG. 6

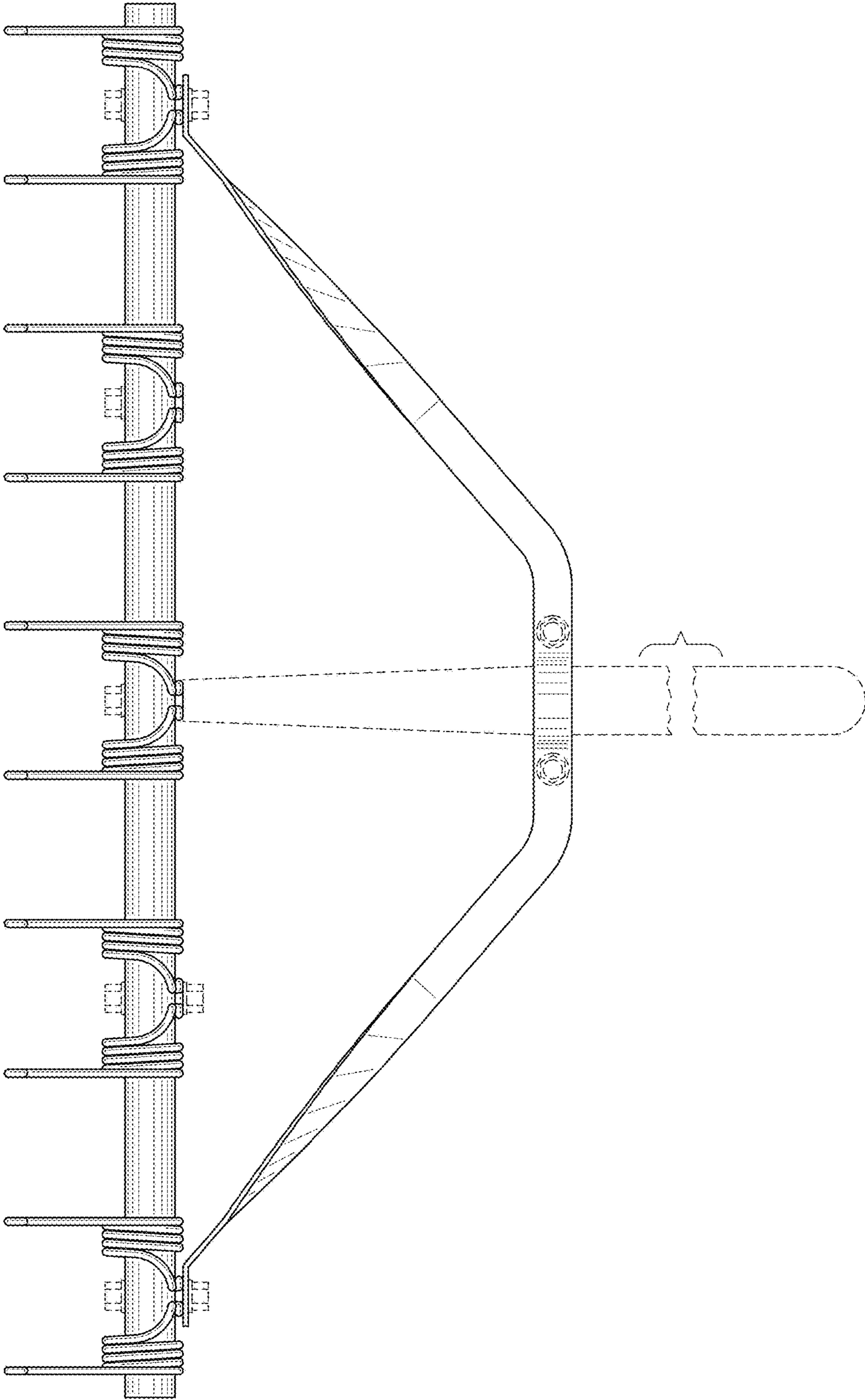


FIG. 7