



US00D784096S

(12) **United States Design Patent** (10) **Patent No.:** **US D784,096 S**
Jones (45) **Date of Patent:** **** Apr. 18, 2017**

(54) **COOKIE-DIPPING TONGS**

(71) Applicant: **R J Jones**, Roy, WA (US)

(72) Inventor: **R J Jones**, Roy, WA (US)

(**) Term: **15 Years**

(21) Appl. No.: **29/543,627**

(22) Filed: **Oct. 27, 2015**

(51) **LOC (10) Cl.** **07-06**

(52) **U.S. Cl.**
USPC **D7/684; D7/687**

(58) **Field of Classification Search**
USPC D7/680-696, 393, 395
CPC A21C 15/00; A47J 43/283; A47J 43/28;
A47J 43/288; A47G 21/02; A47G 21/06;
A47G 21/00; A47G 21/10; A47G 21/103;
A47G 21/106

See application file for complete search history.

(56) **References Cited**

U.S. PATENT DOCUMENTS

2,916,320 A 12/1959 Adams
D392,849 S * 3/1998 Zeller D7/686

D461,379 S * 8/2002 Wang D7/686
7,836,821 B2 11/2010 Smith
8,333,145 B2 12/2012 Kowlessar
2004/0084912 A1 5/2004 Palmieri
2004/0244596 A1 12/2004 Ogline
2005/0109222 A1 5/2005 Swenson
2006/0157996 A1 * 7/2006 McRorie, III A47G 21/10
294/16
2012/0048128 A1 3/2012 Haleluk
2012/0321775 A1 12/2012 Parker

FOREIGN PATENT DOCUMENTS

WO WO2009032784 5/2009

* cited by examiner

Primary Examiner — Terry Wallace

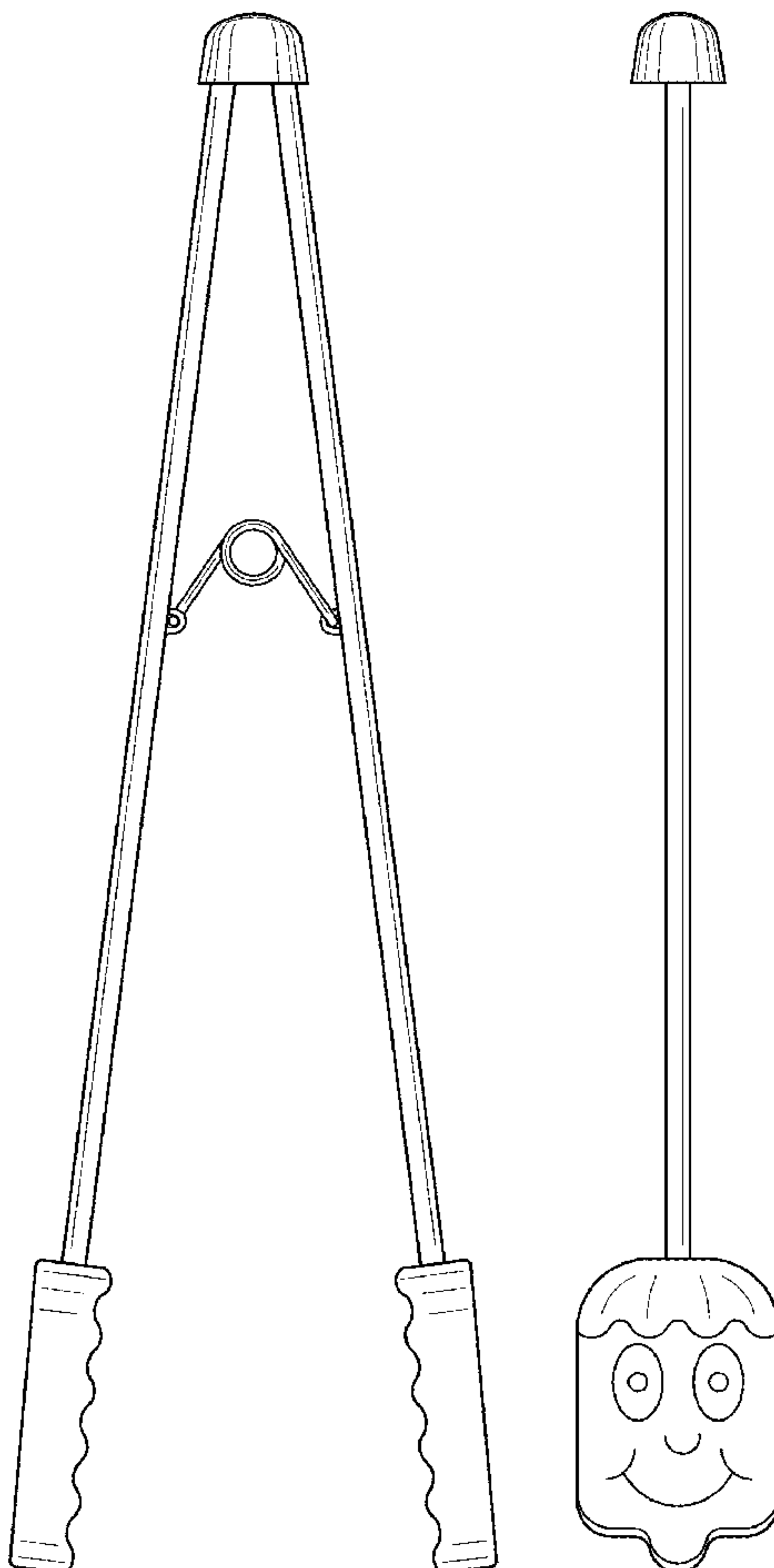
(57) **CLAIM**

I claim the ornamental design for a cookie-dipping tongs, as shown and described.

DESCRIPTION

FIG. 1 is a front view of the cookie-dipping tongs.
FIG. 2 is a side view of the claimed design.
FIG. 3 is a top view of the claimed design; and,
FIG. 4 is a bottom view of the claimed design.

1 Claim, 3 Drawing Sheets



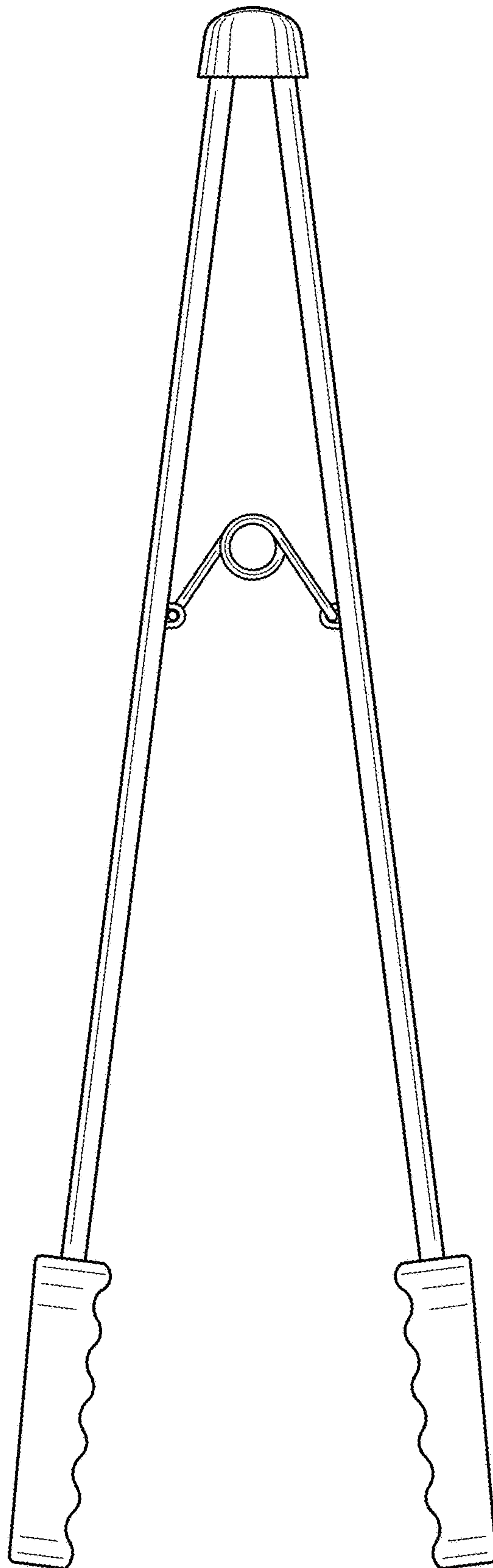


FIG. 1

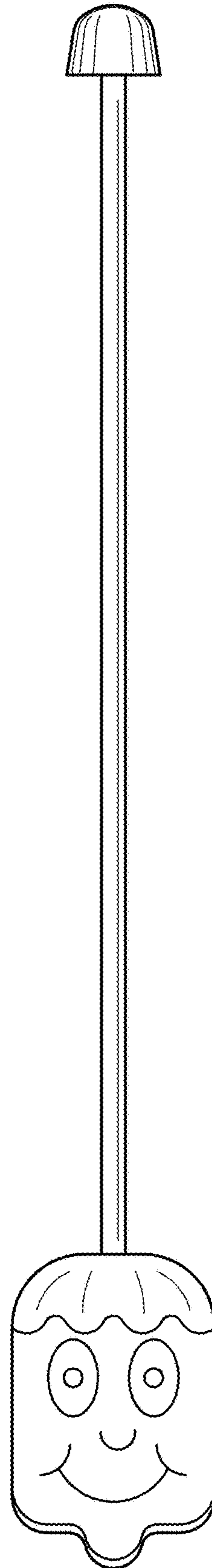


FIG. 2

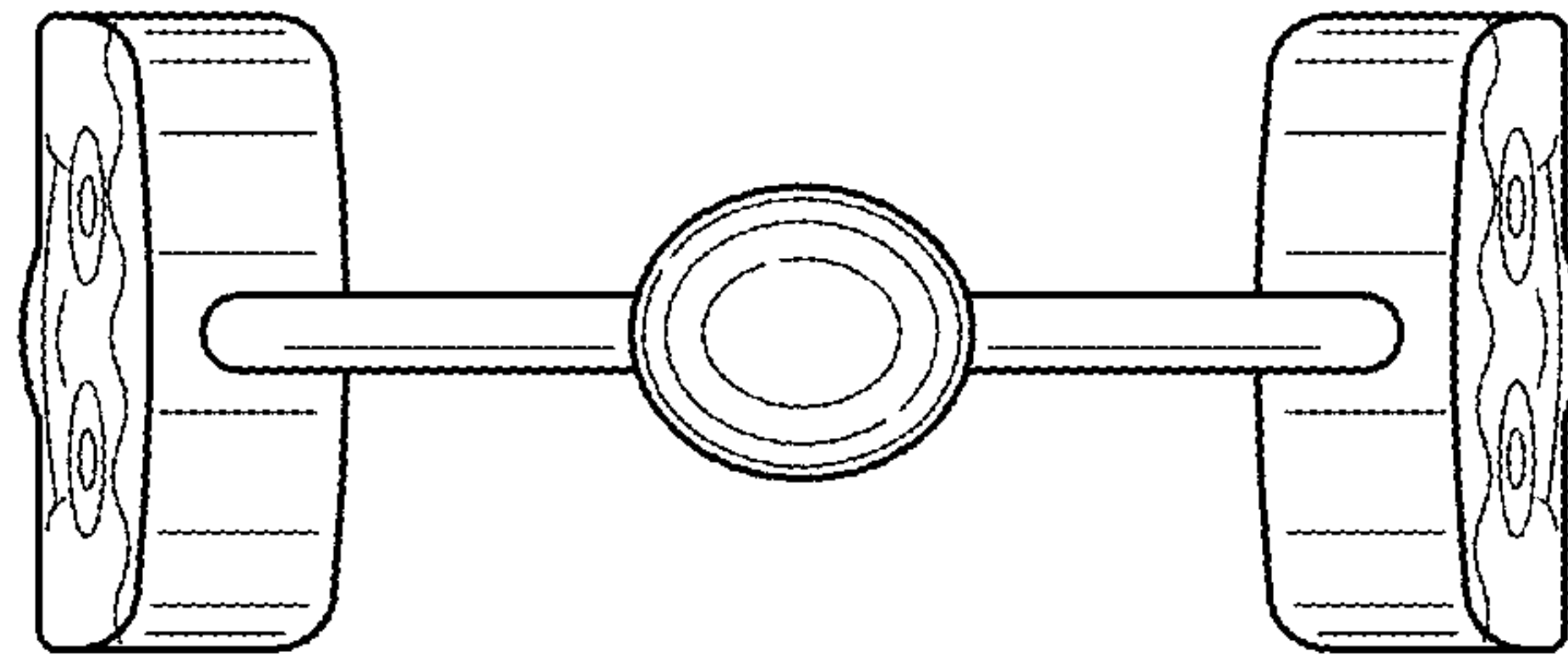


FIG. 3

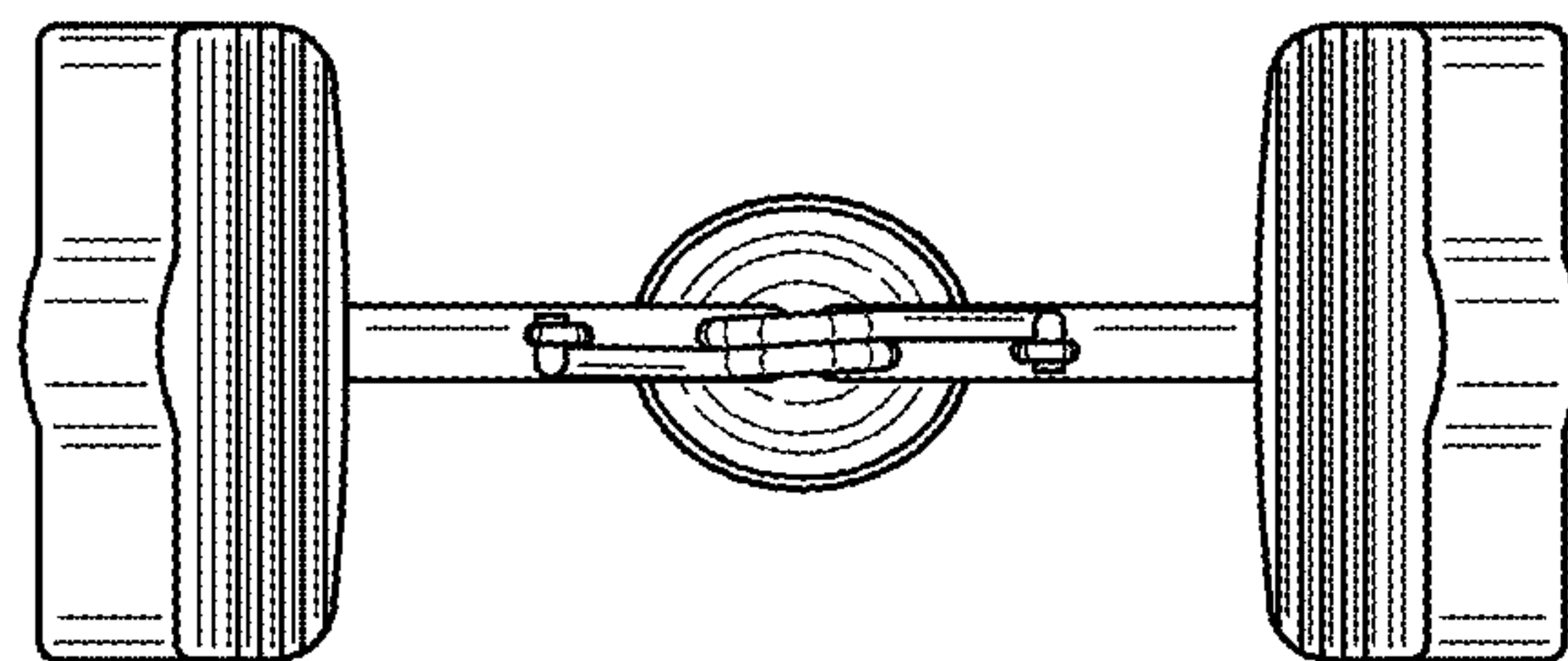


FIG. 4