



US00D784093S

(12) **United States Design Patent**
Boroski et al.

(10) **Patent No.:** **US D784,093 S**

(45) **Date of Patent:** **** Apr. 18, 2017**

(54) **DUAL CHAMBER FOOD JAR**

(71) Applicant: **THERMOS L.L.C.**, Schaumburg, IL
(US)

(72) Inventors: **Dwayne Boroski**, Lake in the Hills, IL
(US); **Marvin Lane**, Wheeling, IL
(US); **Freddy Aranda**, Chicago, IL
(US)

(73) Assignee: **THERMOS L.L.C.**, Schaumburg, IL
(US)

(**) Term: **15 Years**

(21) Appl. No.: **29/540,081**

(22) Filed: **Sep. 21, 2015**

Related U.S. Application Data

(63) Continuation-in-part of application No. 29/523,307,
filed on Apr. 8, 2015.

(51) **LOC (10) Cl.** **07-01**

(52) **U.S. Cl.**
USPC **D7/629; D7/608**

(58) **Field of Classification Search**
USPC D7/629, 602, 630, 538-542, 601, 605,
D7/606, 607, 608; D9/415-419,
(Continued)

(56) **References Cited**

U.S. PATENT DOCUMENTS

1,390,784 A 9/1921 Herrington
1,959,262 A * 5/1934 Colabrese A47J 47/19
138/89

(Continued)

FOREIGN PATENT DOCUMENTS

CN 203195503 U 9/2013
DE 43 02 269 A1 8/1994

(Continued)

OTHER PUBLICATIONS

Canadian patent application No. 2,886,045 Examination Report
mailed Mar. 17, 2016 (5 pages).

(Continued)

Primary Examiner — Ian Simmons

Assistant Examiner — Shannon Morgan

(74) *Attorney, Agent, or Firm* — Polsinelli PC

(57) **CLAIM**

The ornamental design for a dual chamber food jar, as shown
and described.

DESCRIPTION

FIG. 1 is a perspective view of a first embodiment of the dual
chamber food jar;

FIG. 2 is a front view of the first embodiment of the dual
chamber food jar;

FIG. 3 is a rear view of the first embodiment of the dual
chamber food jar;

FIG. 4 is a left side view of the first embodiment of the dual
chamber food jar;

FIG. 5 is a right side view of the first embodiment of the dual
chamber food jar;

FIG. 6 is a top view of the first embodiment of the dual
chamber food jar;

FIG. 7 is a bottom view of the first embodiment of the dual
chamber food jar;

FIG. 8 is a perspective view of the first embodiment of the
dual chamber food jar in an opened position;

FIG. 9 is a left side view of the first embodiment of the dual
chamber food jar in the opened position; and,

FIG. 10 is a right side view of the first embodiment of the
dual chamber food jar in the opened position;

FIG. 11 is a perspective view of a second embodiment of the
dual chamber food jar;

FIG. 12 is a front view of the second embodiment of the dual
chamber food jar;

FIG. 13 is a rear view of the second embodiment of the dual
chamber food jar;

FIG. 14 is a left side view of the second embodiment of the
dual chamber food jar;

(Continued)

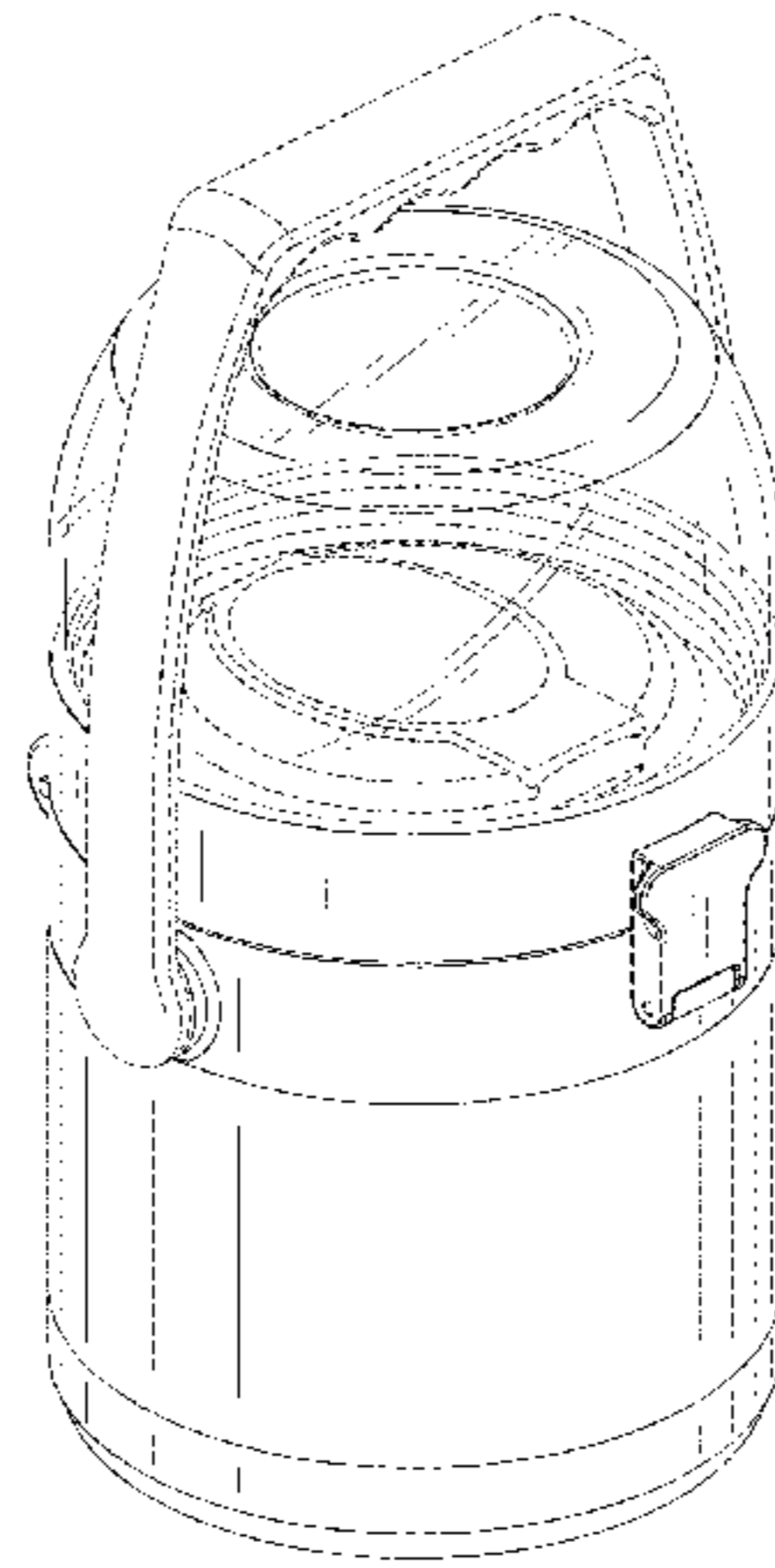
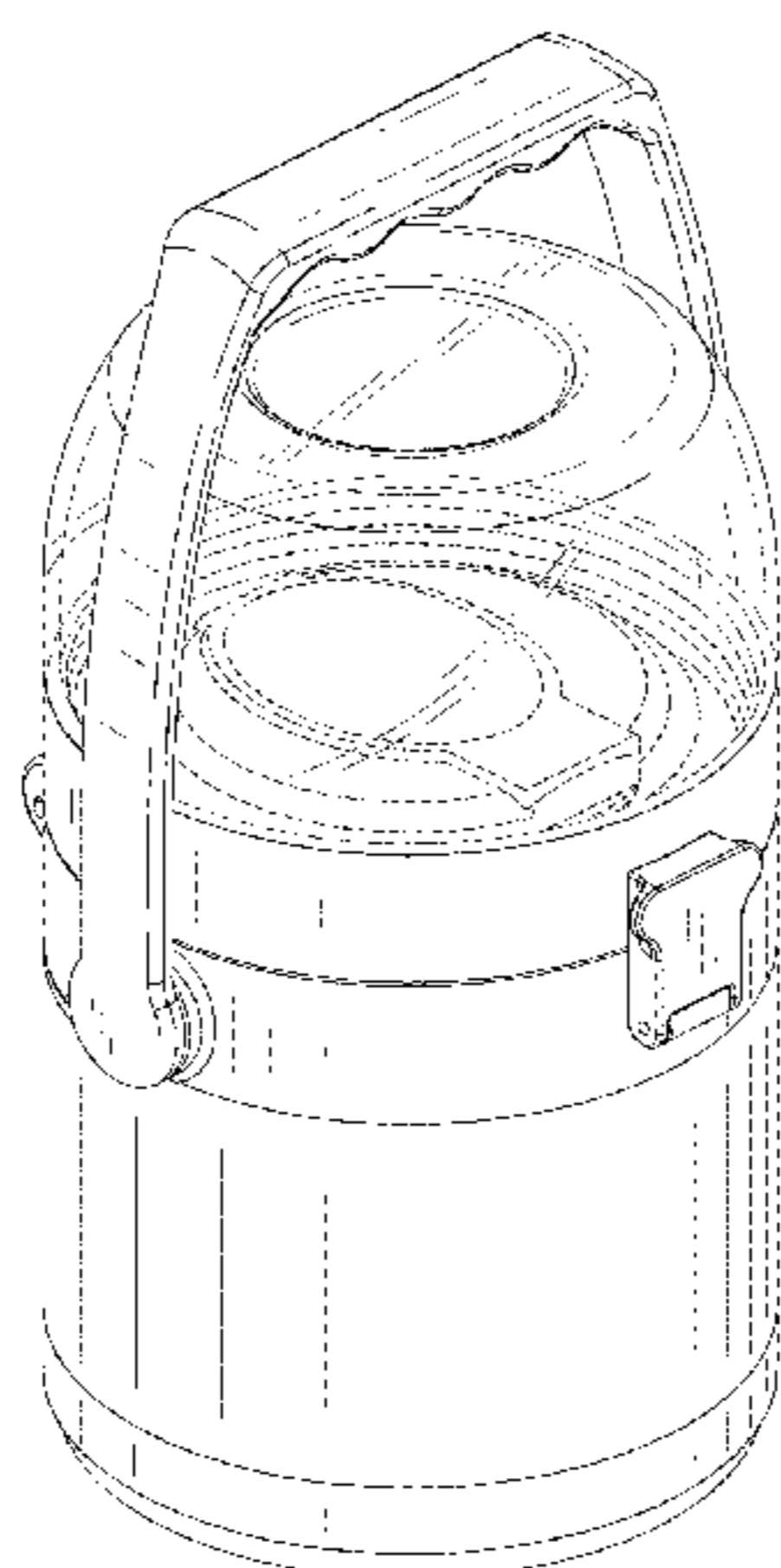


FIG. 15 is a right side view of the second embodiment of the dual chamber food jar;
 FIG. 16 is atop view of the second embodiment of the dual chamber food jar;
 FIG. 17 is a bottom view of the second embodiment of the dual chamber food jar;
 FIG. 18 is a perspective view of the second embodiment of the dual chamber food jar in an opened position;
 FIG. 19 is a left side view of the second embodiment of the dual chamber food jar in the opened position; and,
 FIG. 20 is a right side view of the second embodiment of the dual chamber food jar in the opened position.
 The broken lines shown in the figures represent portions of the dual chamber food jar that form no part of the claimed design.

1 Claim, 14 Drawing Sheets

(58) **Field of Classification Search**

USPC D9/424-432, 516, 519, 520, 521, 522,
 D9/529, 530, 537, 538, 539, 540, 541,
 D9/542, 543, 549, 559, 575
 CPC .. B65D 1/26; B65D 43/0206; B65D 43/0214;
 B65D 43/00; B65D 1/00; B65D 1/22;
 B65D 1/32; B65D 1/14; B65D 1/24;
 B65D 1/34; B65D 3/00; B65D 3/02;
 B65D 3/28; B65D 5/00; B65D 5/0085;
 B65D 5/009; B65D 5/18; B65D 7/00;
 B65D 7/02; B65D 11/00; B65D 11/02;
 B65D 11/10; B65D 39/00; B65D 25/38;
 B65D 11/20; B65D 77/065; B65D
 2209/00; B65D 2/08; B65D 75/527;
 B65D 75/5883; B65D 75/566; B65D
 43/163; B65D 2543/00231; B65D 51/24;
 B65D 33/16; B65D 33/1666; A47J 47/02;
 A47J 47/08; A47J 47/10; A47G 19/00;
 A47G 19/32; A47G 23/00

See application file for complete search history.

(56) **References Cited**

U.S. PATENT DOCUMENTS

D122,762 S 10/1940 Arnold
 2,328,543 A 9/1943 Bauman
 D157,637 S 3/1950 Shawver
 D184,005 S 12/1958 Clark
 D189,320 S 11/1960 Fellnagel
 D193,640 S 9/1962 Deaver
 3,070,253 A * 12/1962 Brown A47J 41/0055
 215/12.2
 D200,979 S 4/1965 Piker
 3,245,565 A * 4/1966 Zeppenfeld A47J 41/02
 215/12.1
 D207,466 S 4/1967 Phillips
 D208,378 S 8/1967 Waddington
 D216,091 S * 11/1969 Lawton D7/603
 D231,764 S 6/1974 Roche
 D233,641 S 11/1974 Roche

D246,686 S * 12/1977 Boldt D7/354
 D248,440 S 7/1978 Bryan et al.
 D252,438 S * 7/1979 Cannon D7/313
 D259,012 S * 4/1981 Harris D7/320
 D261,088 S 10/1981 Akimov et al.
 D262,856 S 2/1982 MacTavish et al.
 4,336,883 A 6/1982 Krug et al.
 D272,223 S 1/1984 Daenen
 4,537,044 A 8/1985 Putnam
 D293,409 S 12/1987 Seike et al.
 D369,723 S * 5/1996 McArthur D7/608
 5,671,846 A 9/1997 Frank
 D391,450 S 3/1998 Rausch
 5,752,464 A 5/1998 King et al.
 5,823,136 A 10/1998 Zarski
 D405,654 S * 2/1999 Moran D7/608
 D433,631 S * 11/2000 Walsh D9/500
 D446,122 S * 8/2001 Weinstein D9/428
 6,443,096 B1 9/2002 Prydie
 7,066,347 B2 6/2006 Slovak et al.
 7,066,949 B2 6/2006 Gammons et al.
 D530,141 S 10/2006 Wilgus et al.
 7,263,949 B1 9/2007 Seaford
 D557,076 S * 12/2007 Wahl D7/615
 D557,994 S 12/2007 Wahl
 D560,100 S * 1/2008 Wang D7/603
 D560,101 S * 1/2008 Wang D7/603
 D574,668 S 8/2008 Kelly
 D596,460 S * 7/2009 Nezu D7/510
 D619,418 S * 7/2010 Nezu D7/510
 D622,089 S 8/2010 Daniel et al.
 D641,594 S 7/2011 Huang
 D651,050 S * 12/2011 Goshi D7/608
 D653,086 S * 1/2012 Morales D7/608
 D660,657 S 5/2012 Picozza et al.
 D679,959 S 4/2013 Lane
 D702,505 S 4/2014 Nakatani
 D710,653 S 8/2014 Goto et al.
 D729,019 S * 5/2015 Kilduff D7/615
 D734,634 S 7/2015 Moran, Sr.
 D741,115 S 10/2015 Lane et al.
 D744,290 S * 12/2015 Endo D7/608
 9,211,040 B2 12/2015 Lane
 9,211,090 B2 12/2015 Baker, Jr.
 D748,949 S * 2/2016 Long, Sr. D7/510
 D755,019 S * 5/2016 Kent D7/630
 D759,432 S * 6/2016 Harris D7/510
 2012/0312832 A1 12/2012 Lane
 2014/0091097 A1 4/2014 Lane
 2015/0284138 A1 10/2015 Lane et al.

FOREIGN PATENT DOCUMENTS

DE 20 2013 010997 U1 1/2014
 EP 2 926 680 A2 7/2015
 WO 2011 162621 A1 11/2011

OTHER PUBLICATIONS

European patent application No. 15161107.6 Extended Search Report (9 pages).
 U.S. Appl. No. 29/523,307 Office Action mailed Apr. 8, 2016 (12 pages).
 U.S. Appl. No. 14/673,317 Office Action mailed Aug. 17, 2016 (11 pages).

* cited by examiner

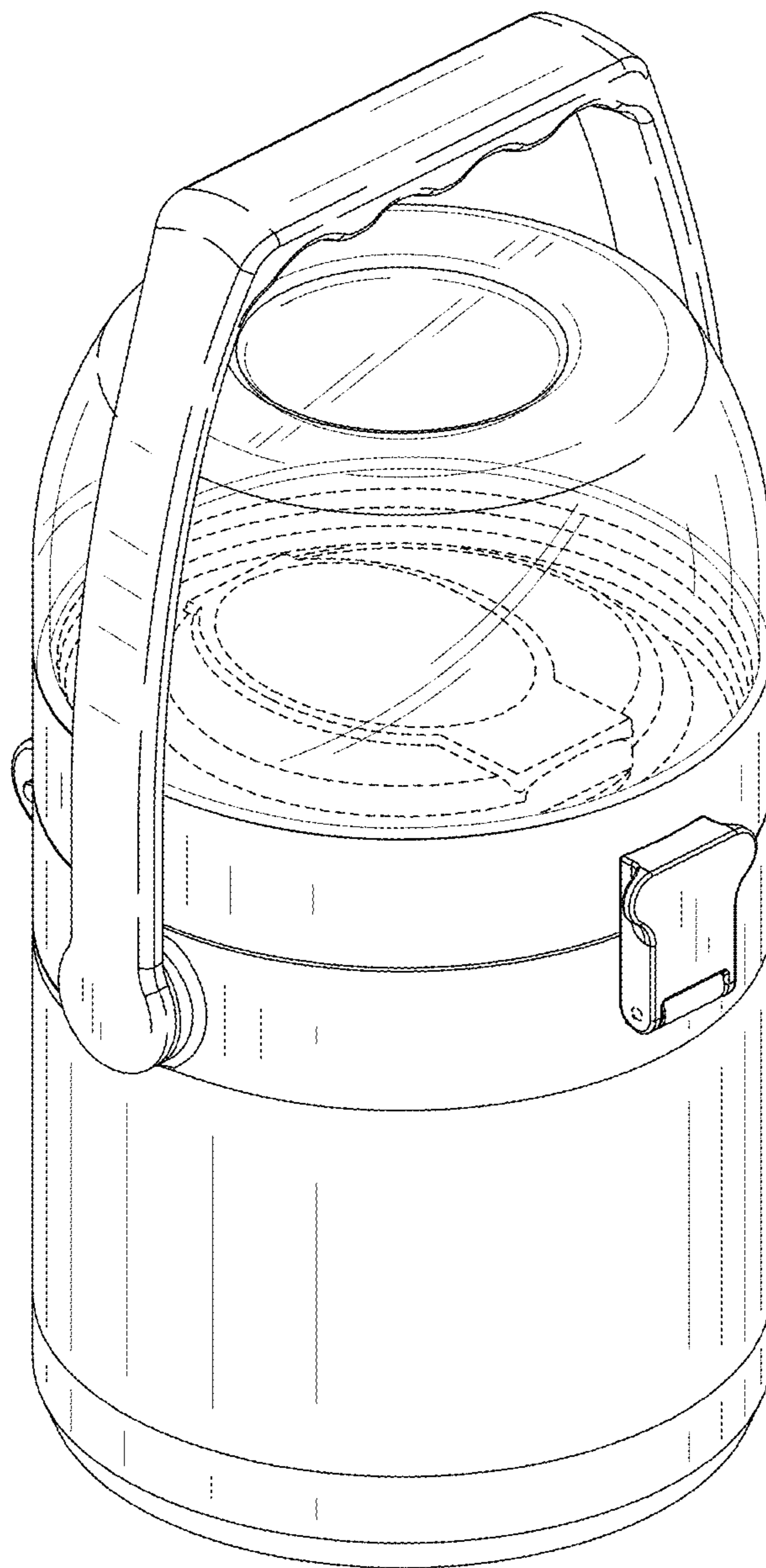


FIG. 1

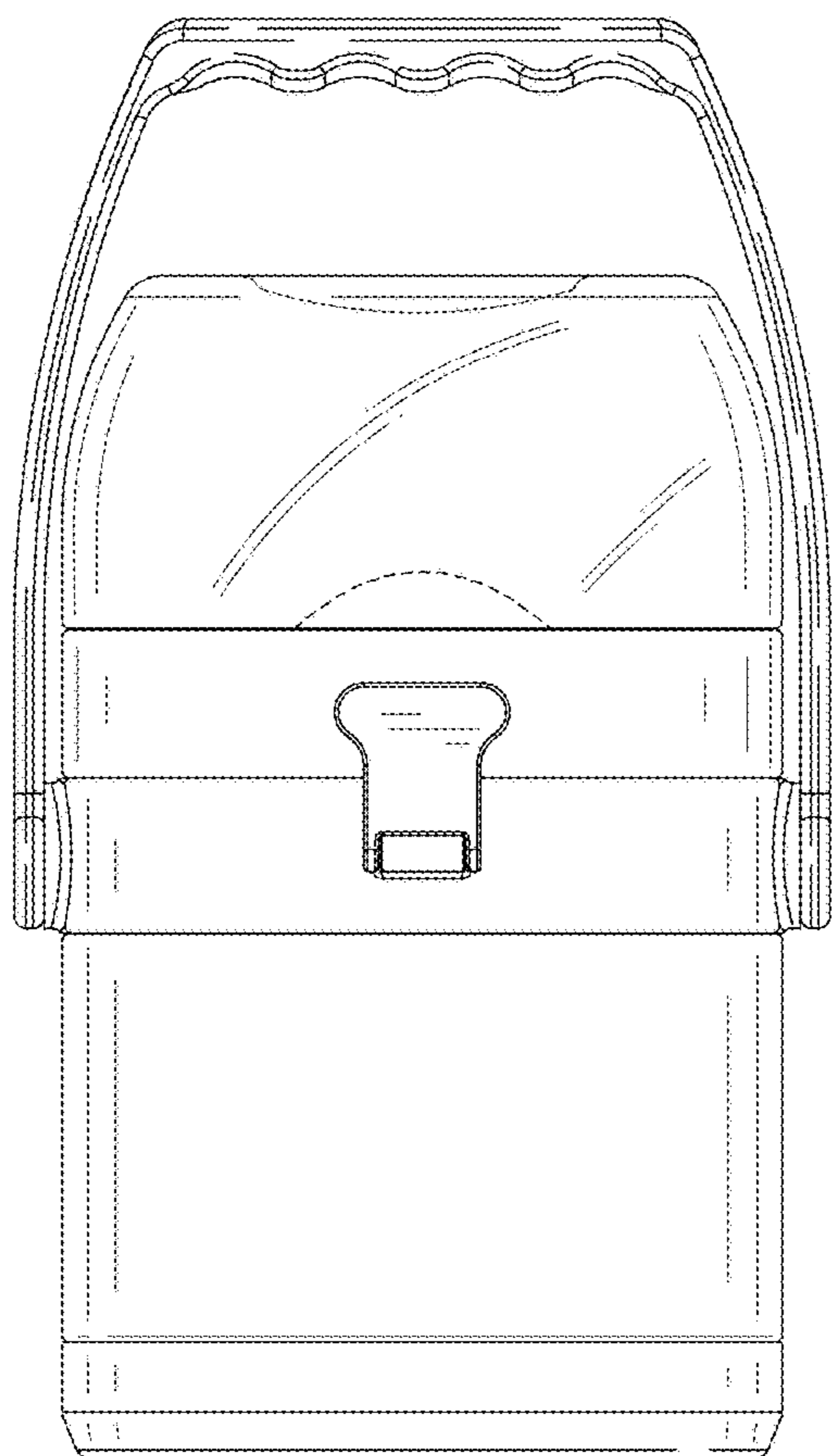


FIG. 2

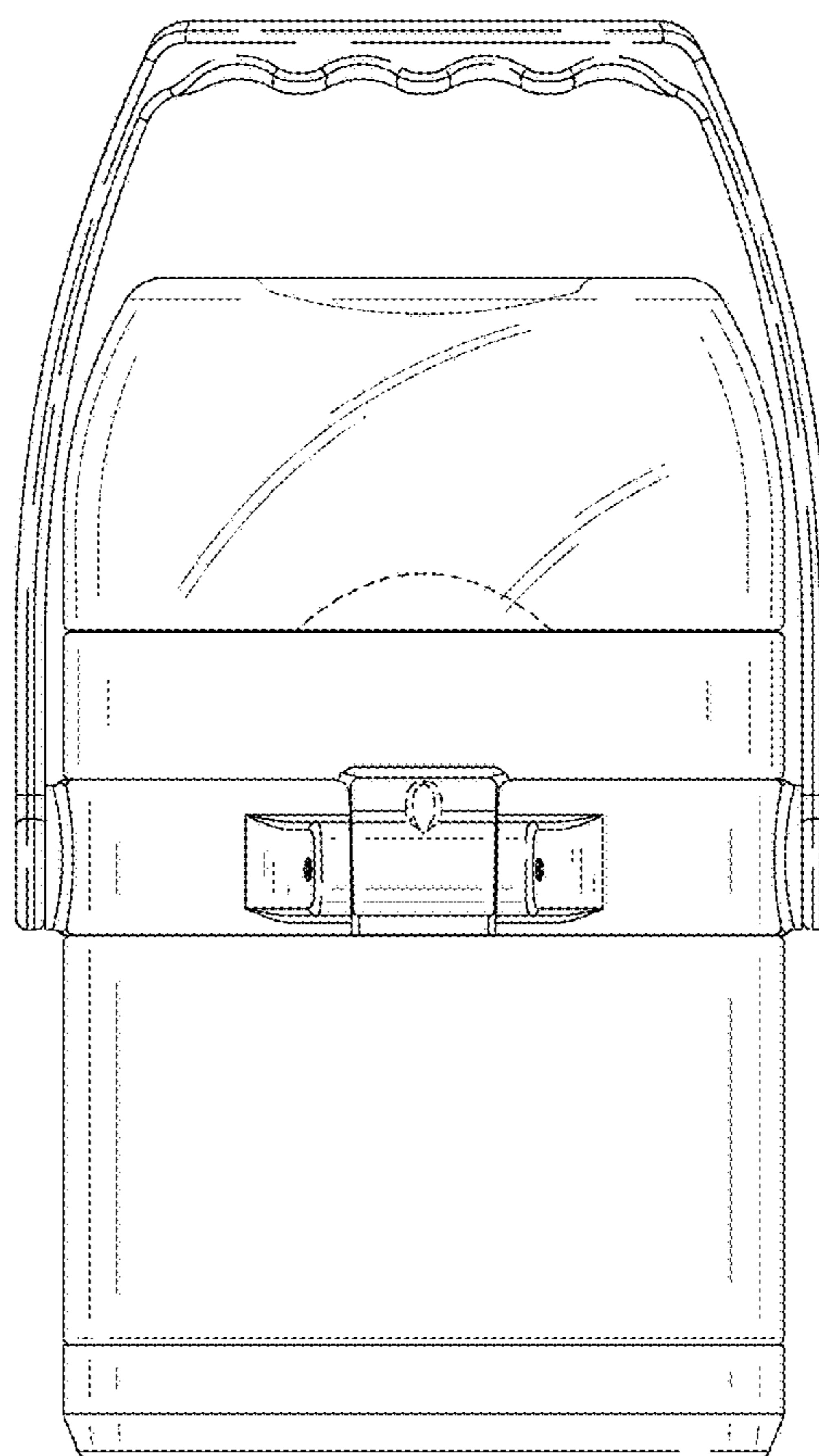


FIG. 3

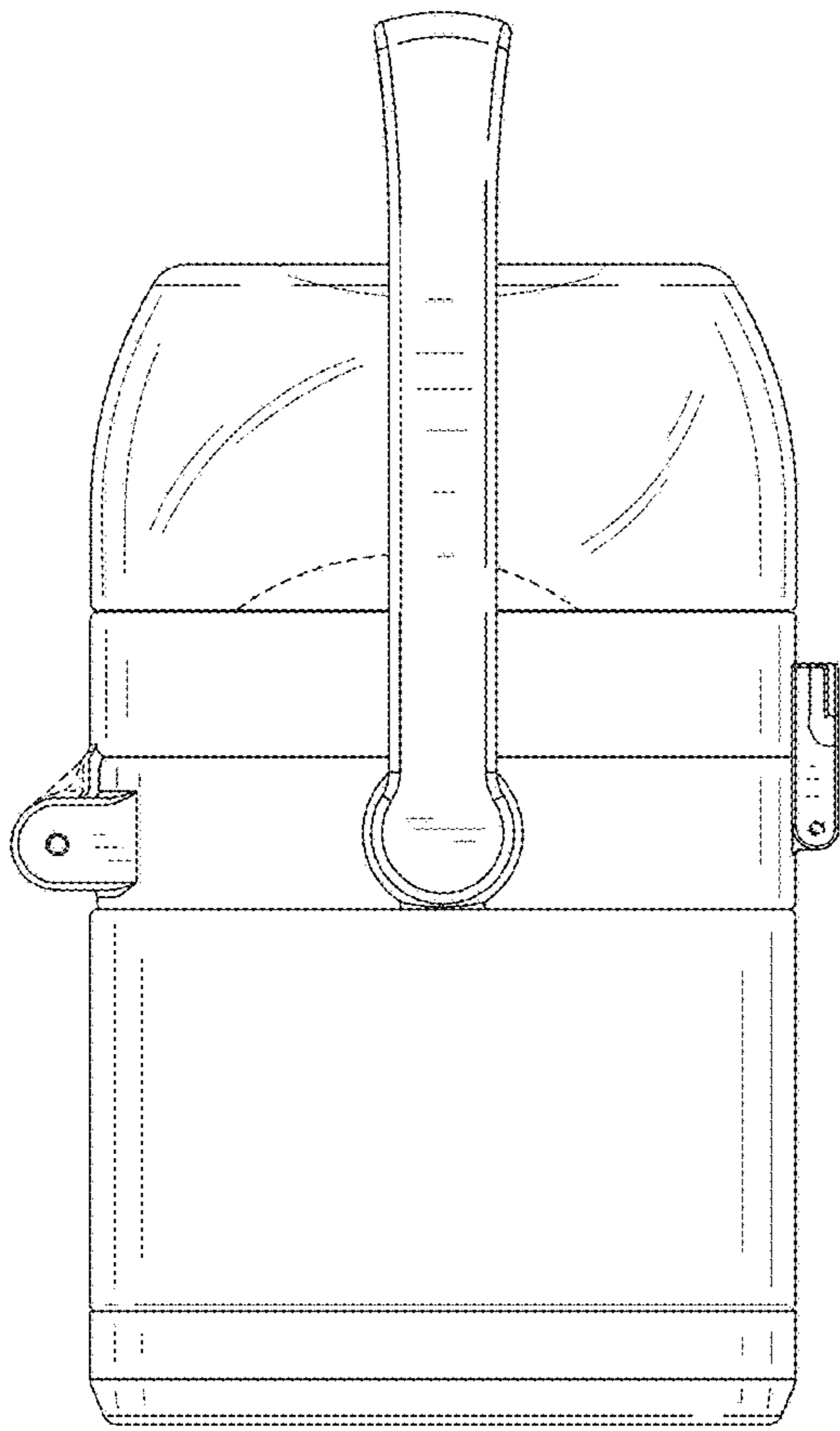


FIG. 4

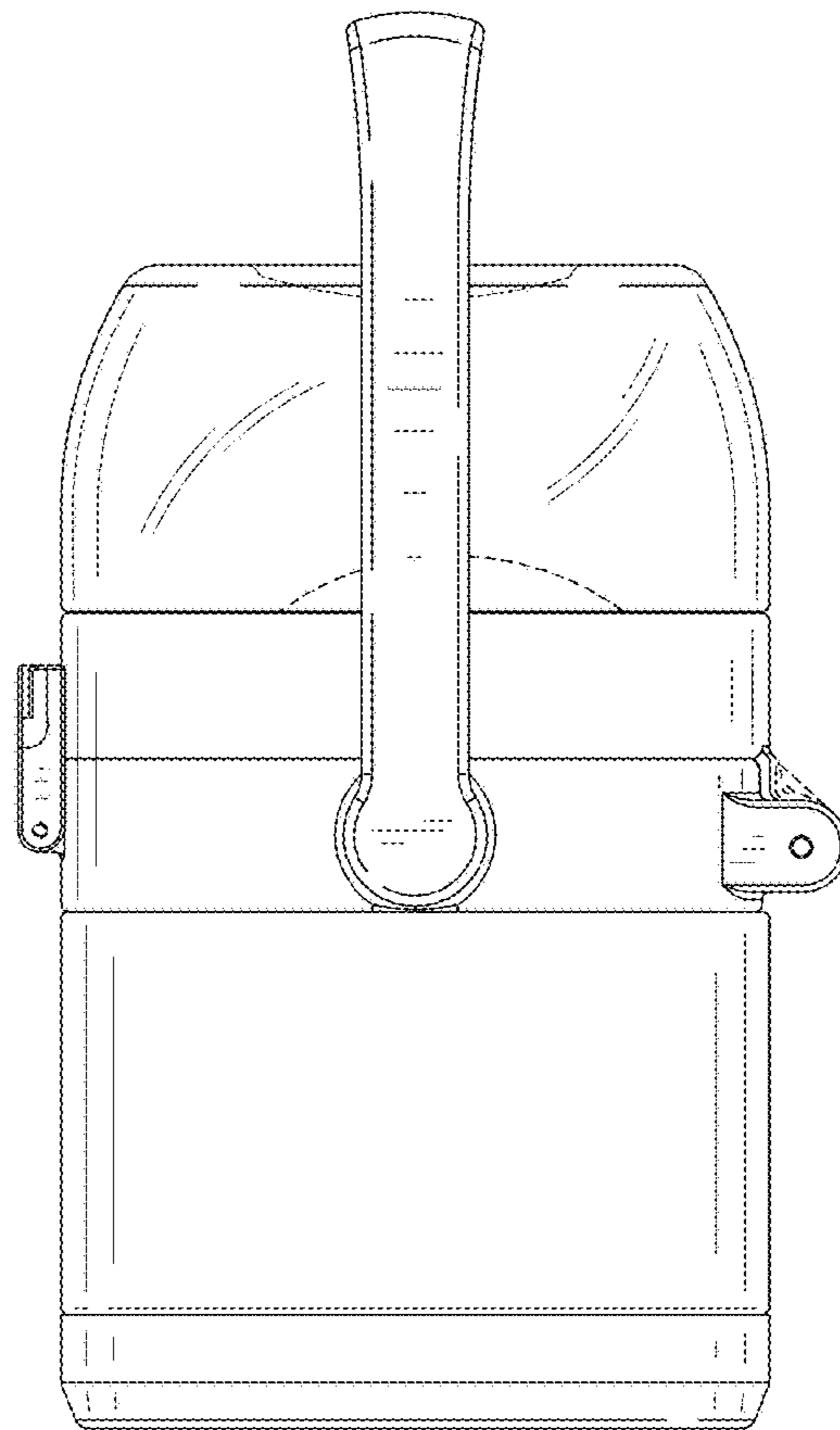


FIG. 5

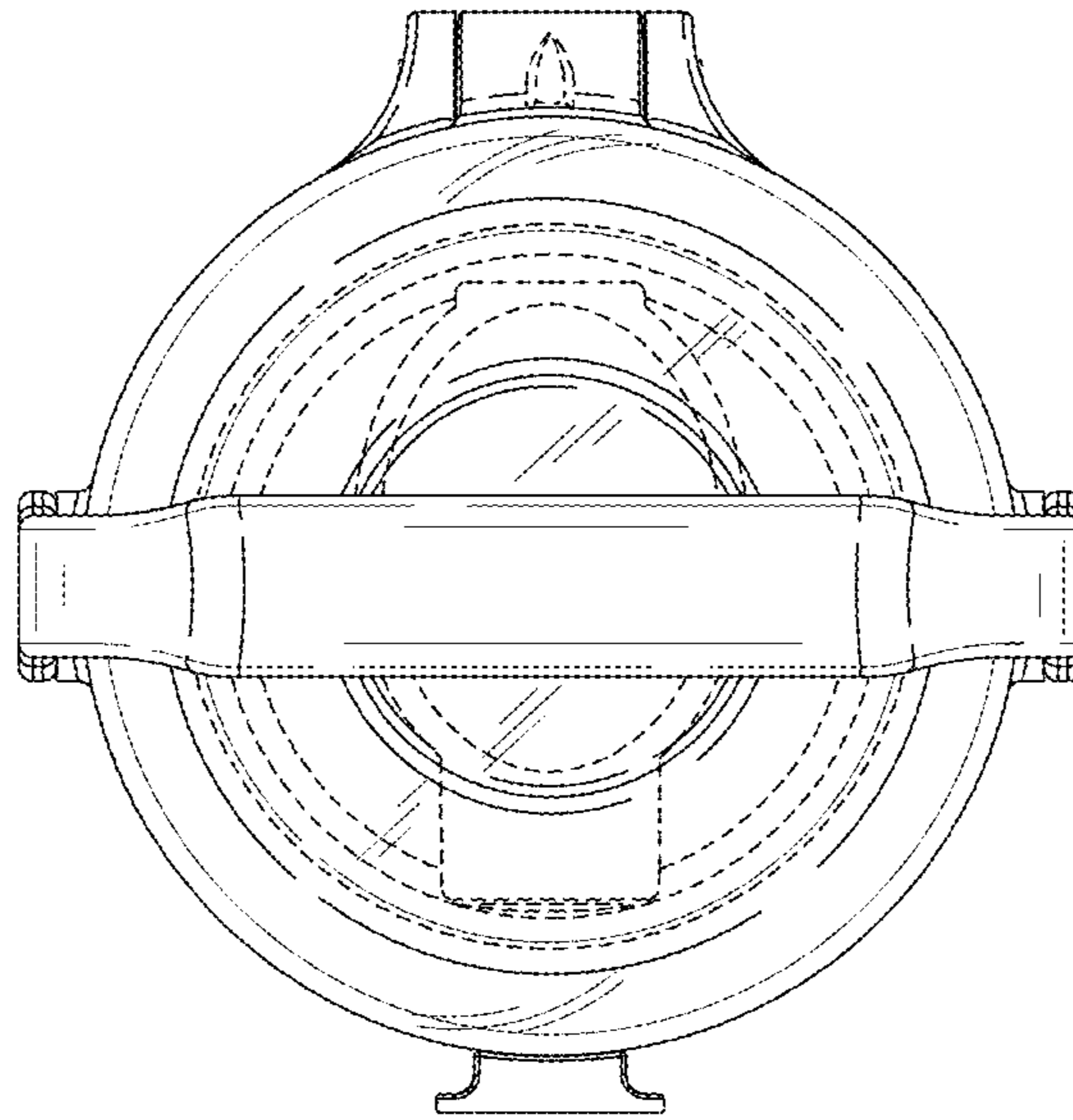


FIG. 6

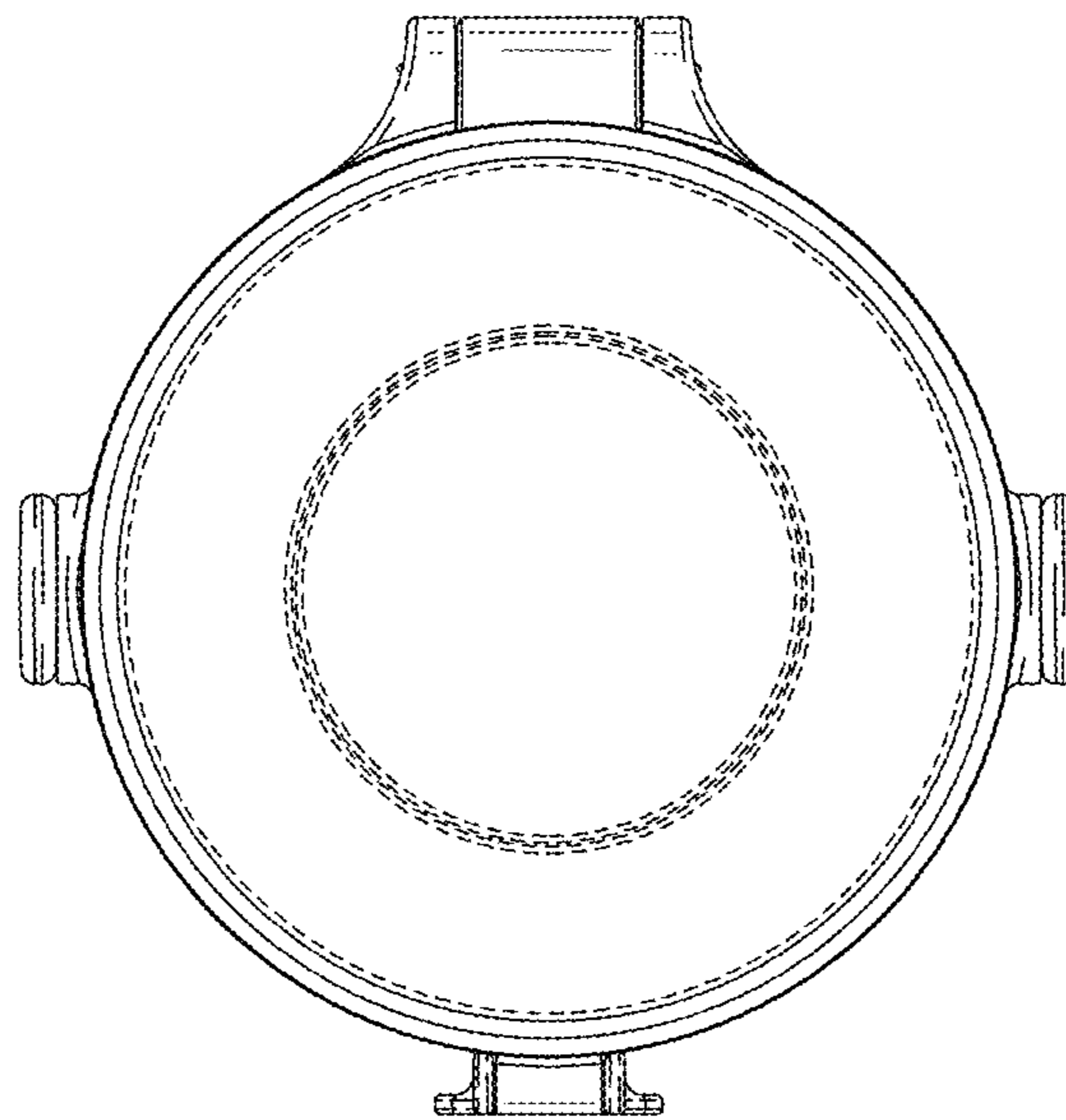


FIG. 7

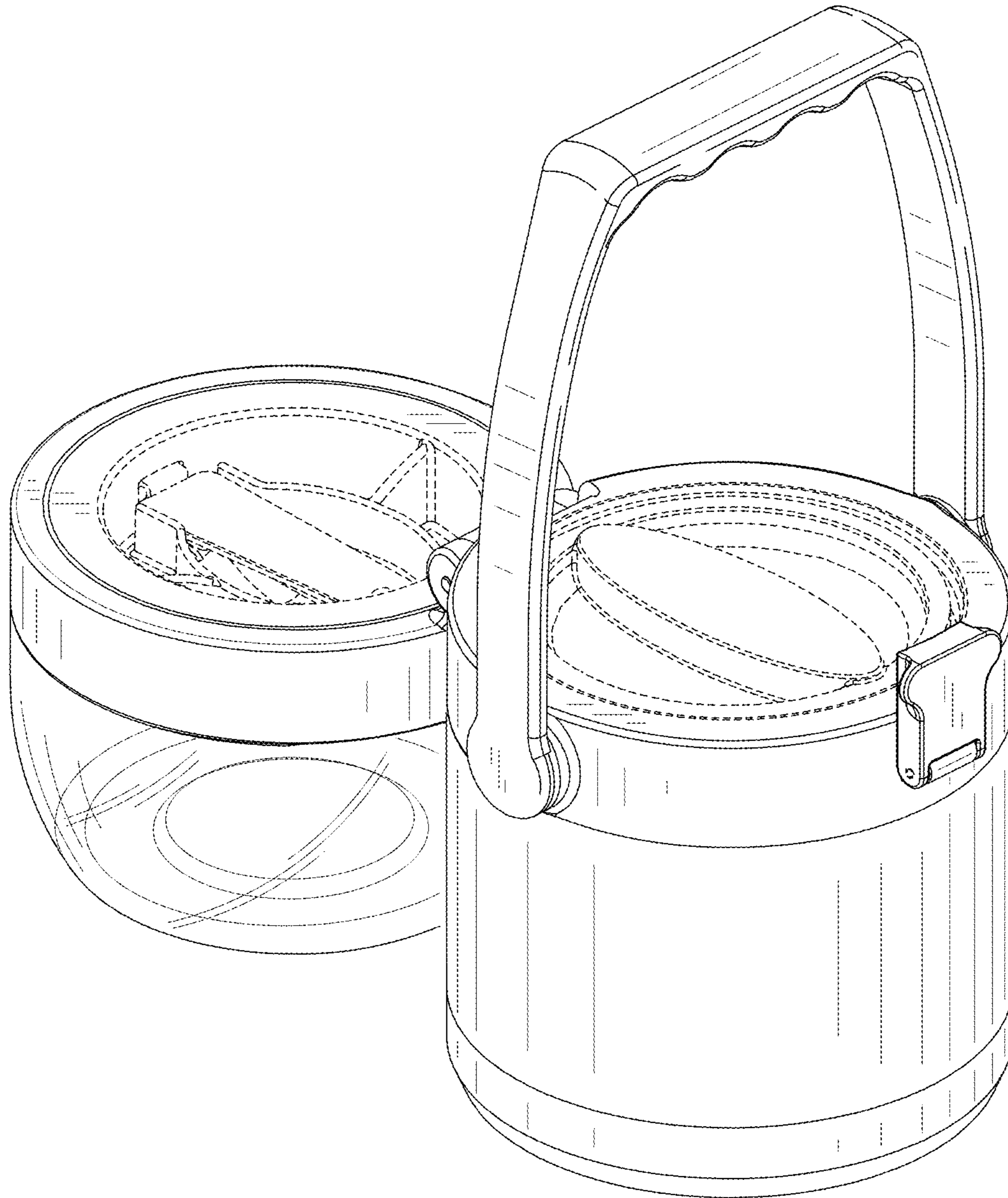


FIG. 8

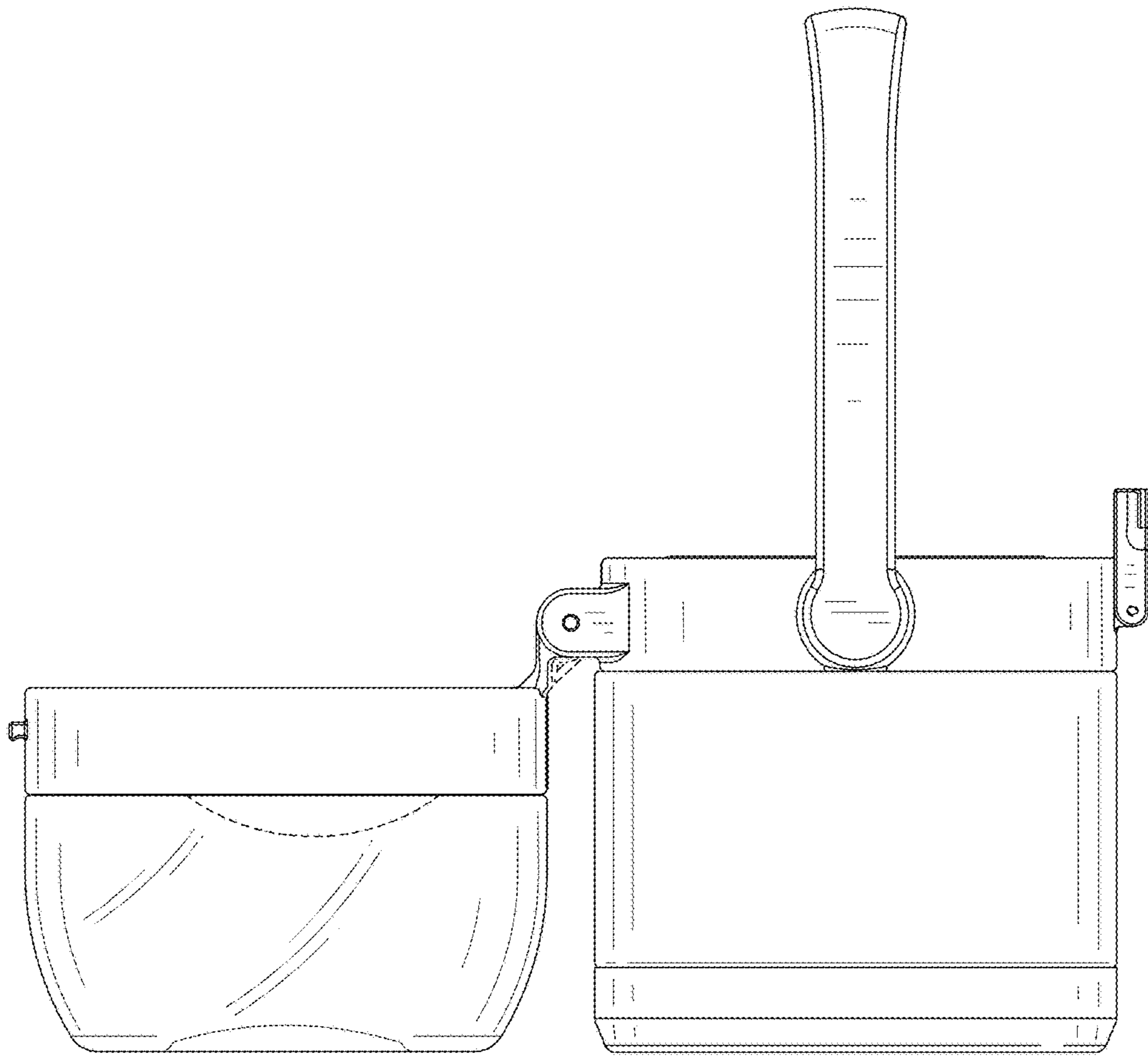


FIG. 9

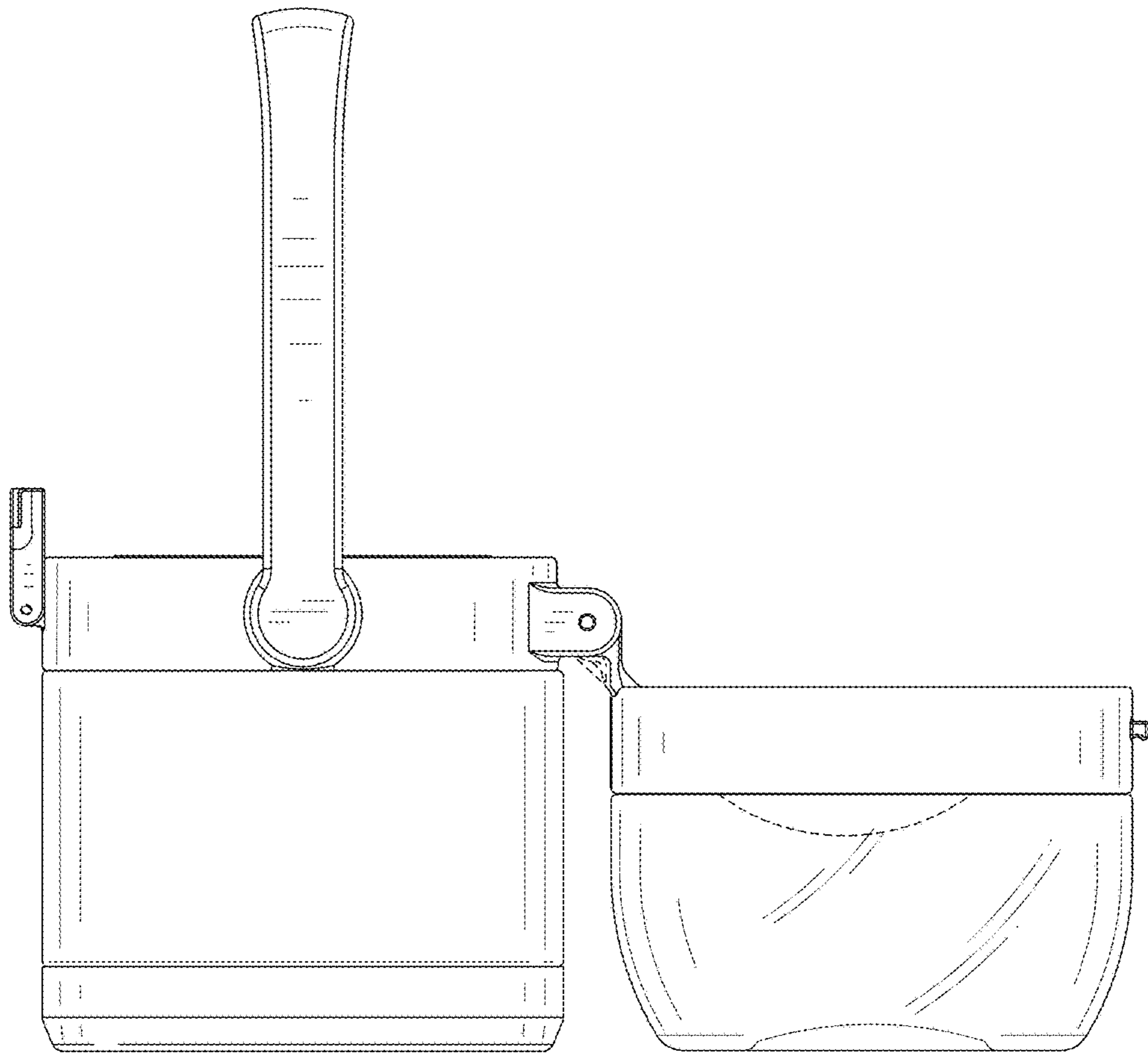


FIG. 10

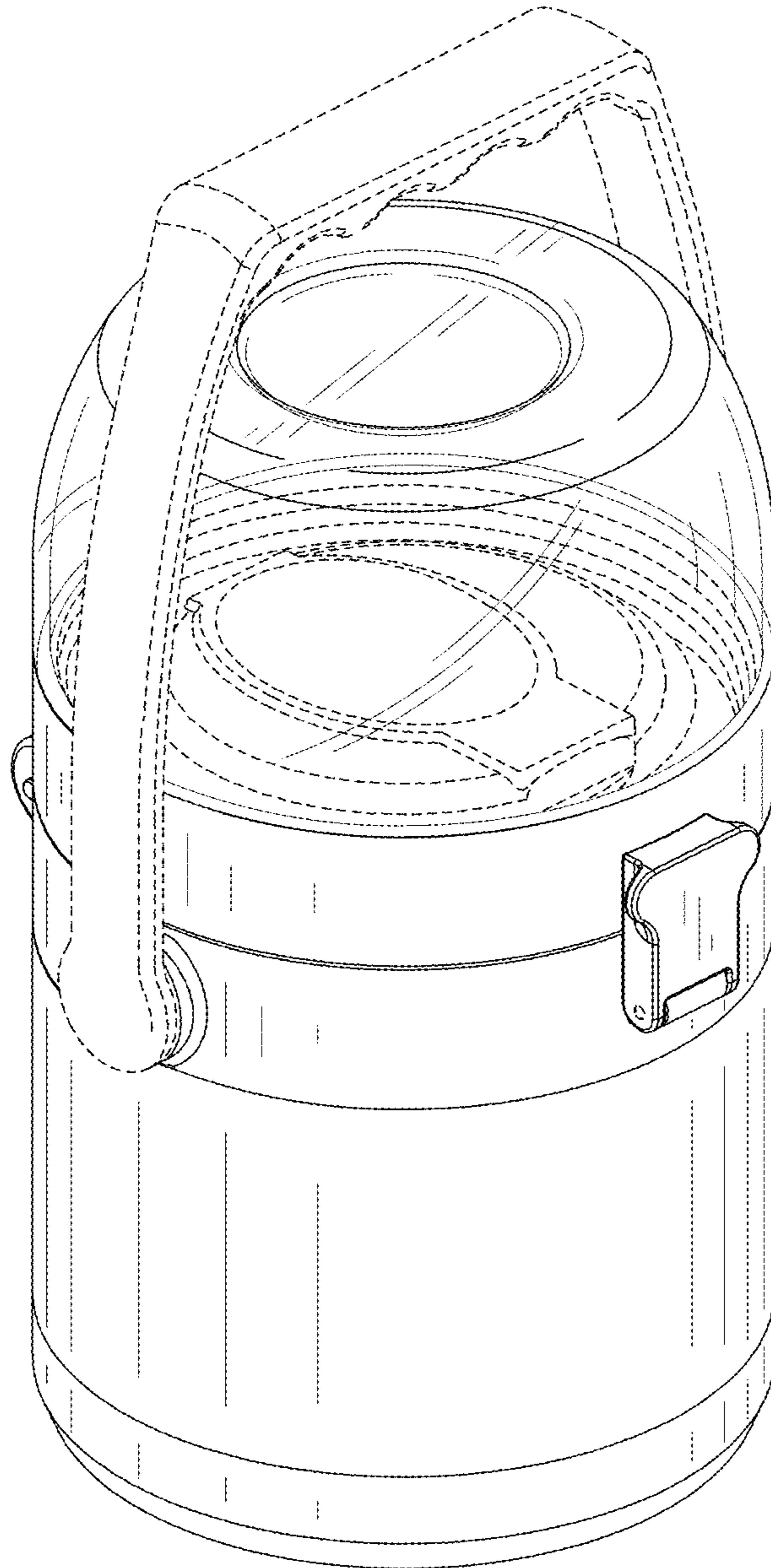


FIG. 11

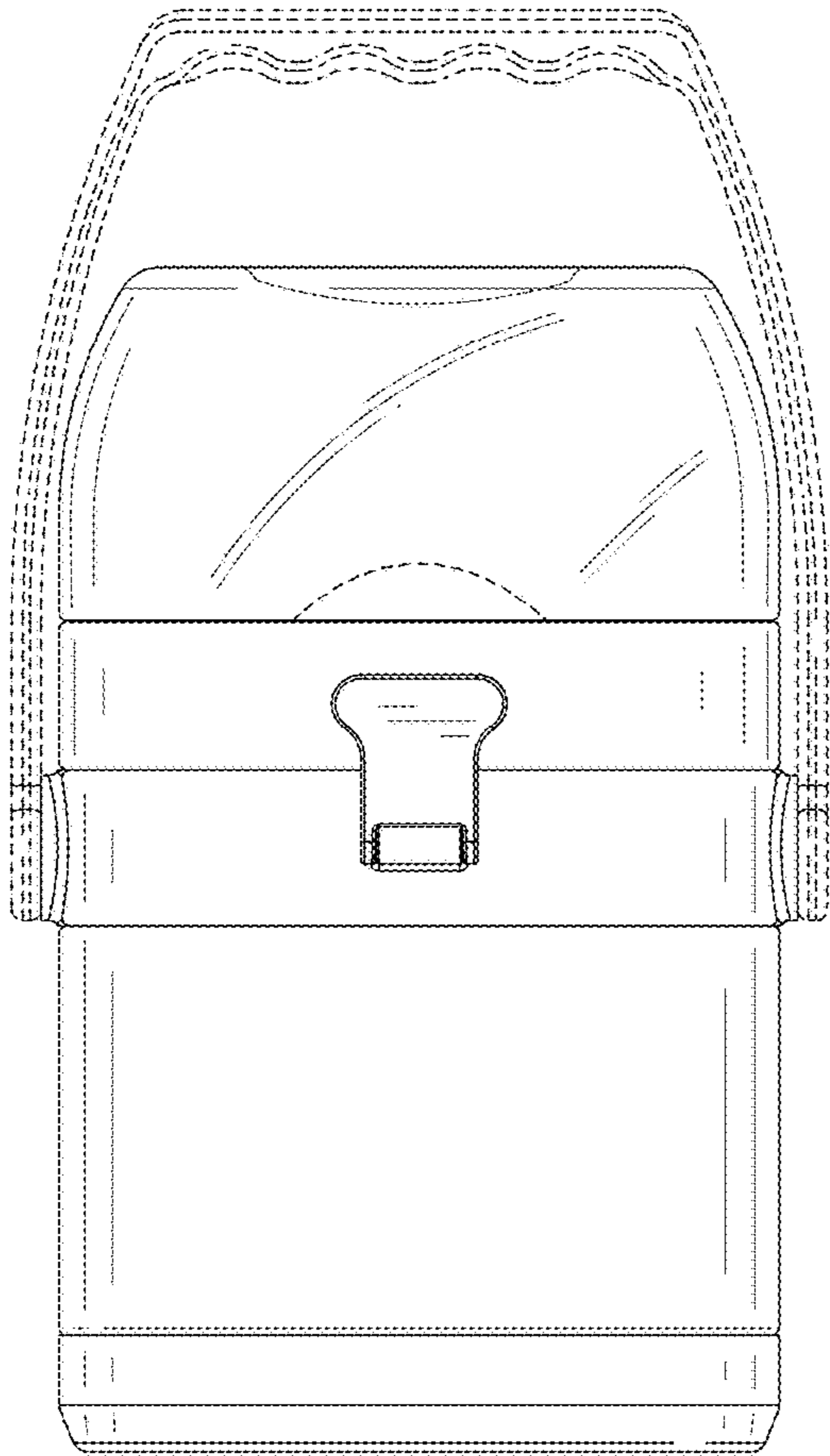


FIG. 12

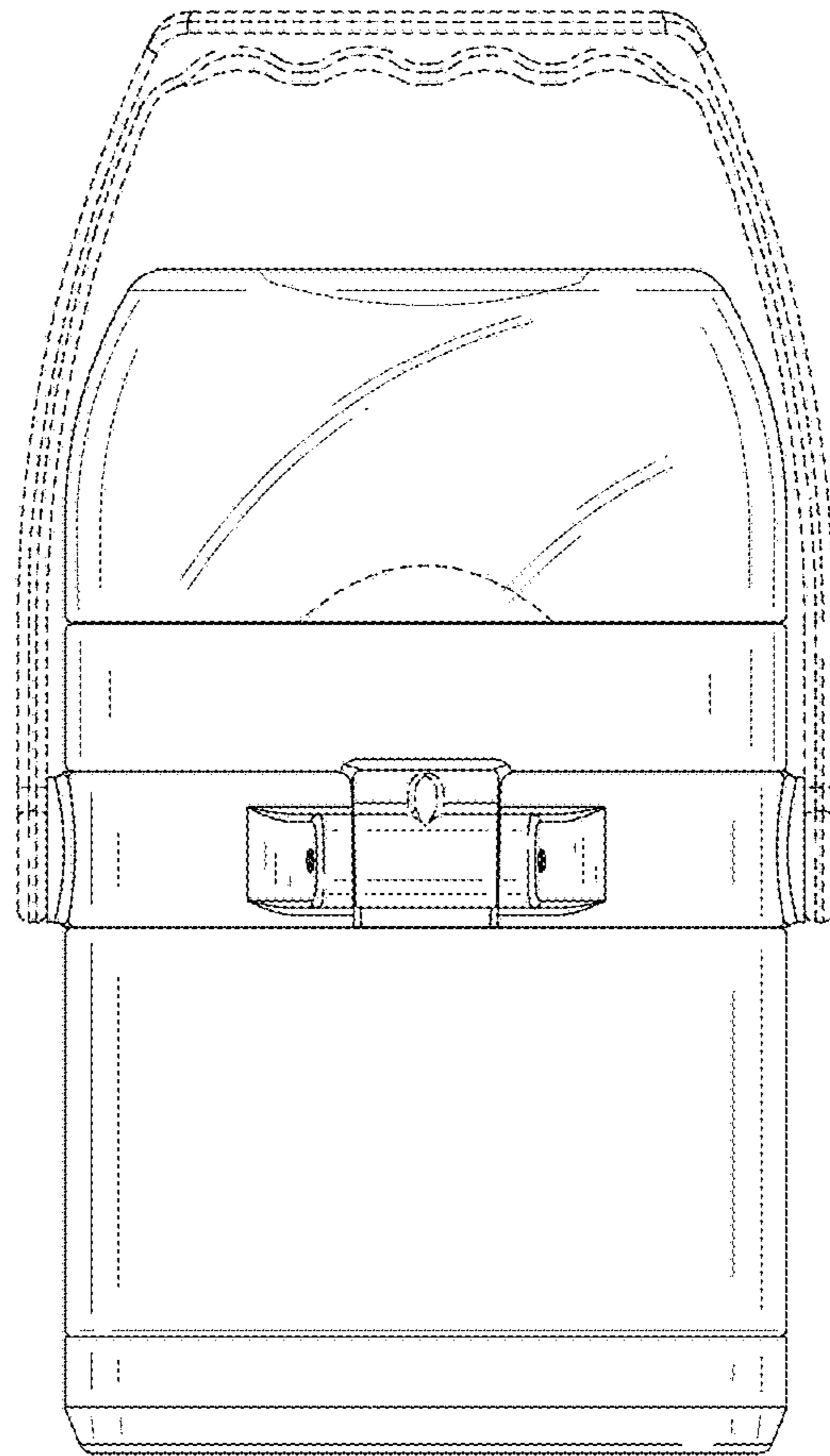


FIG. 13

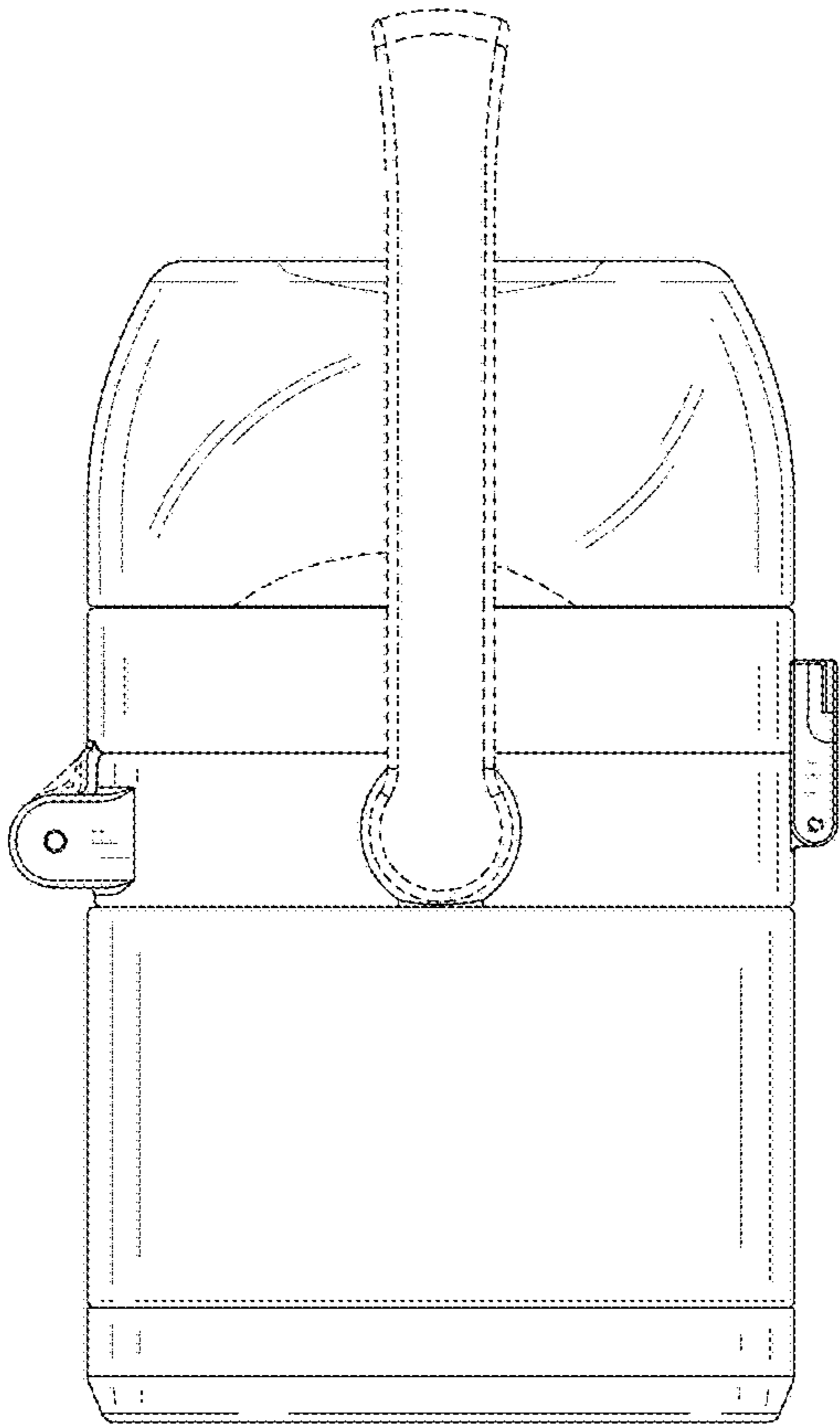


FIG. 14

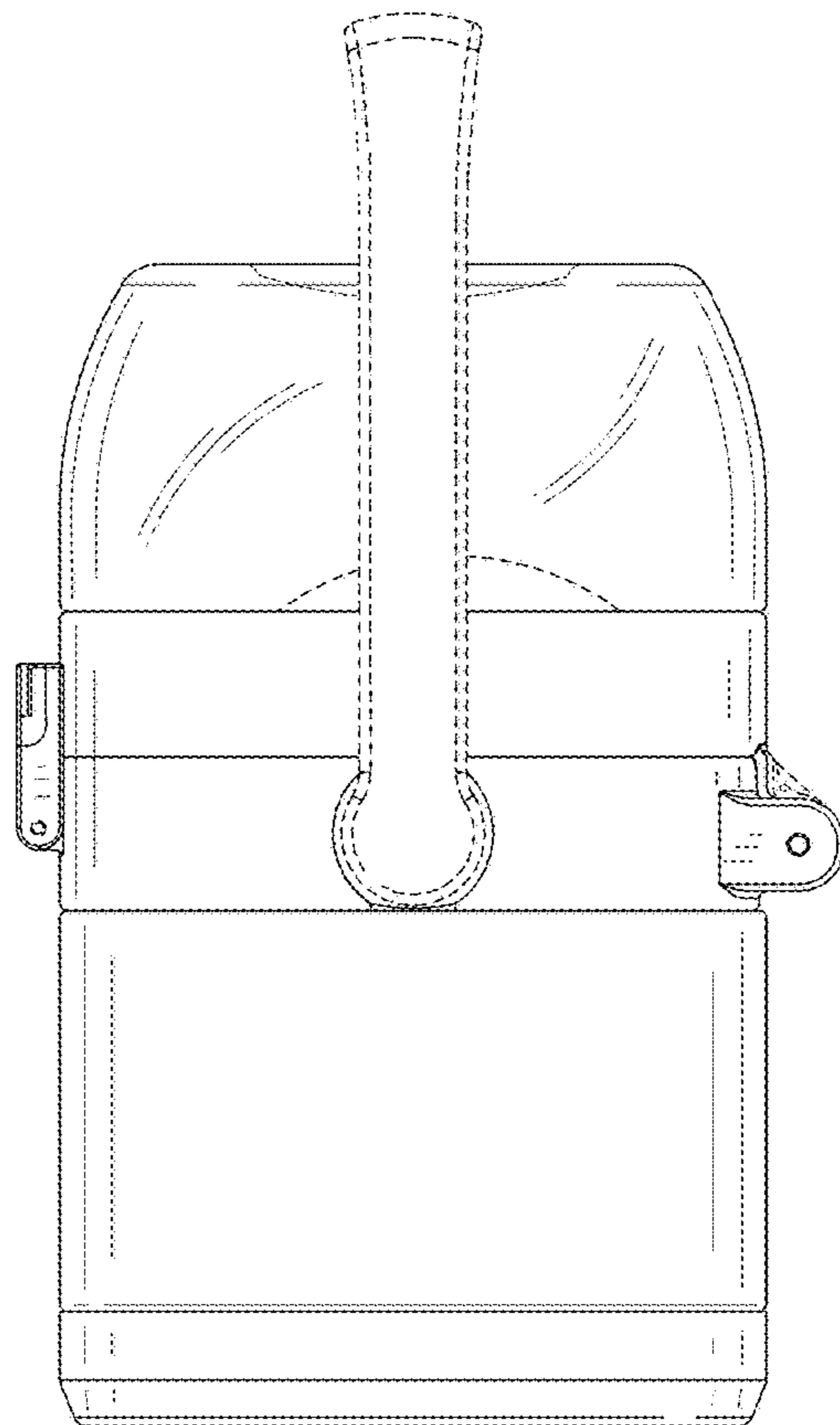


FIG. 15

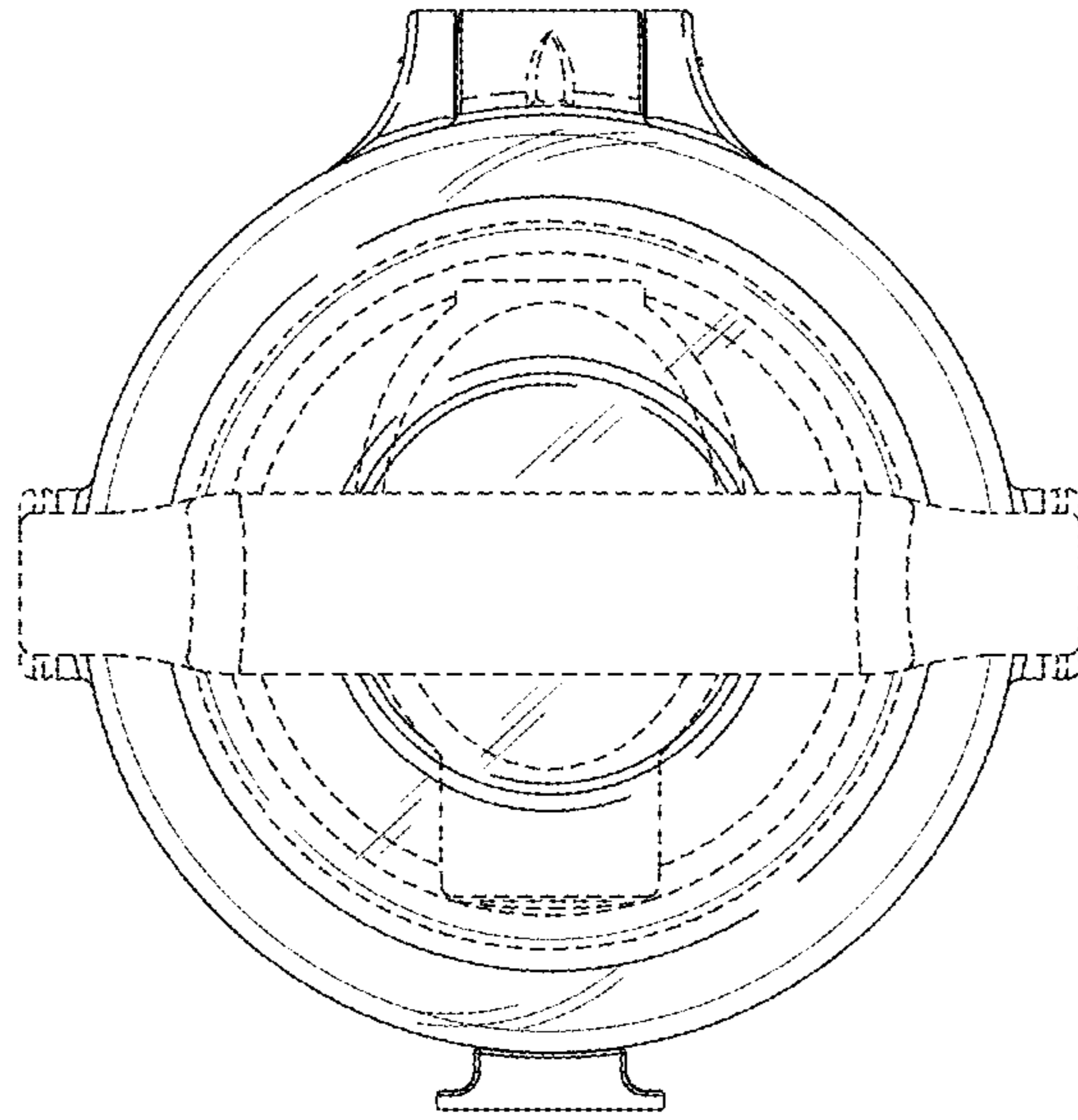


FIG. 16

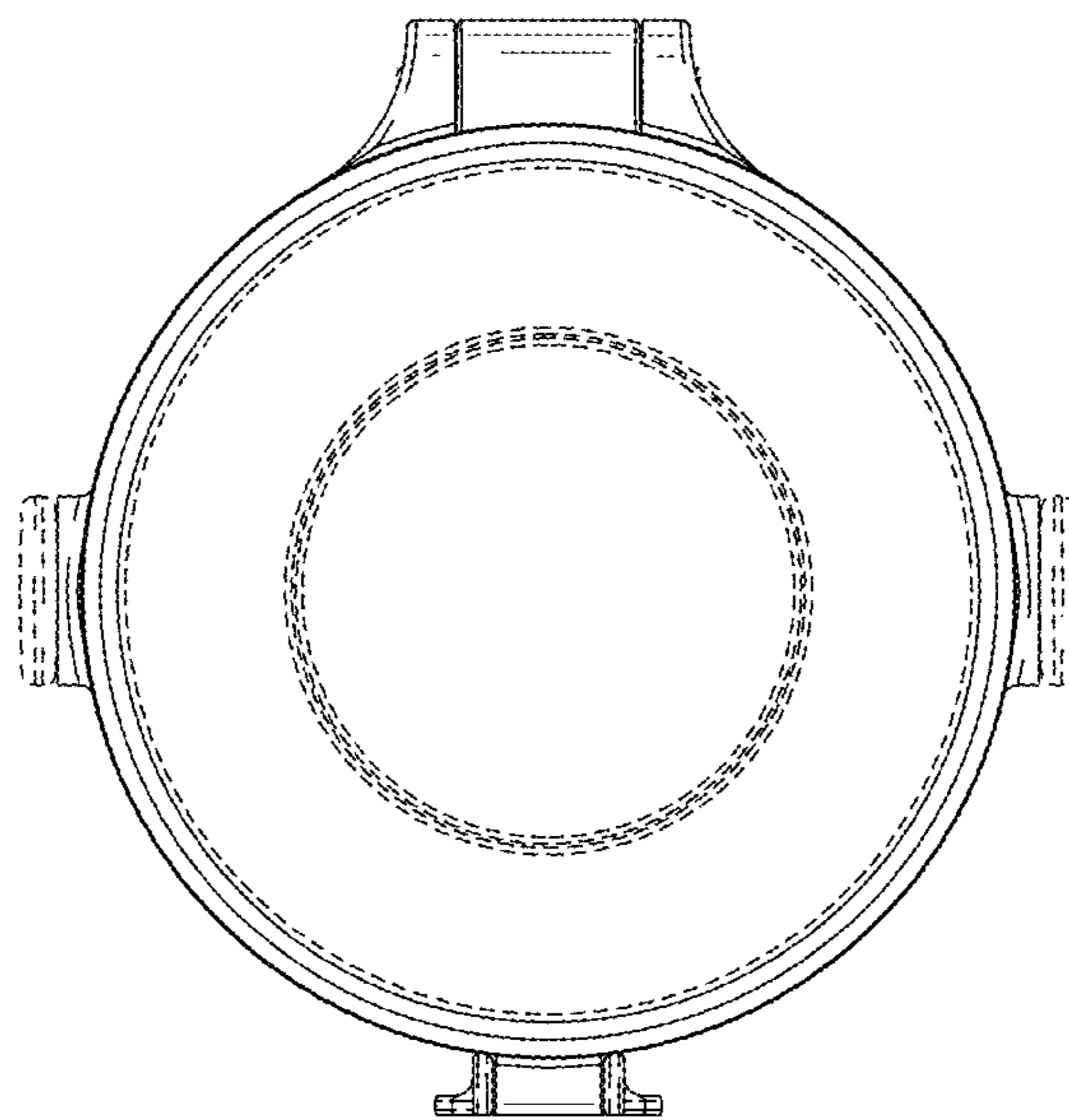


FIG. 17

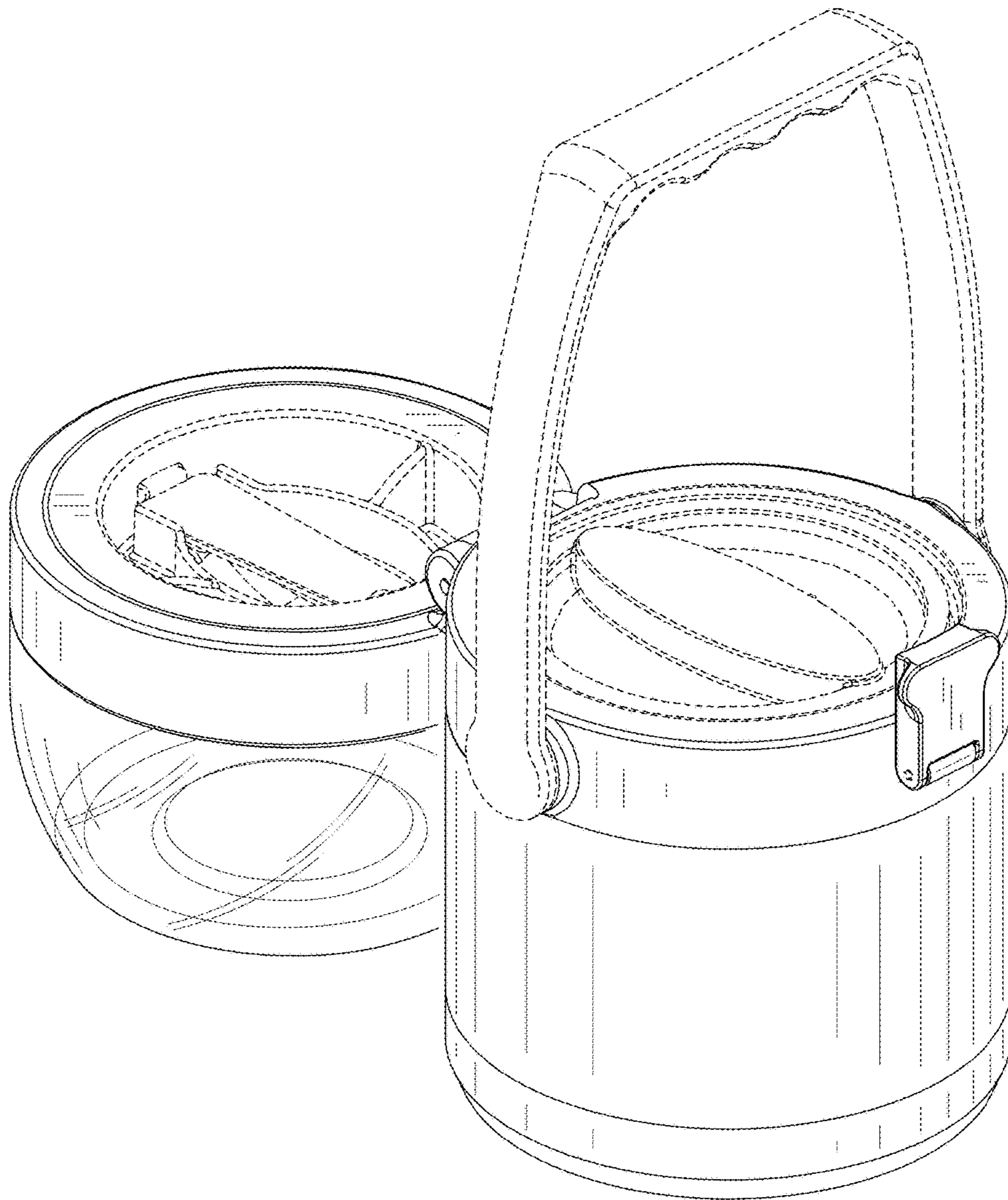


FIG. 18

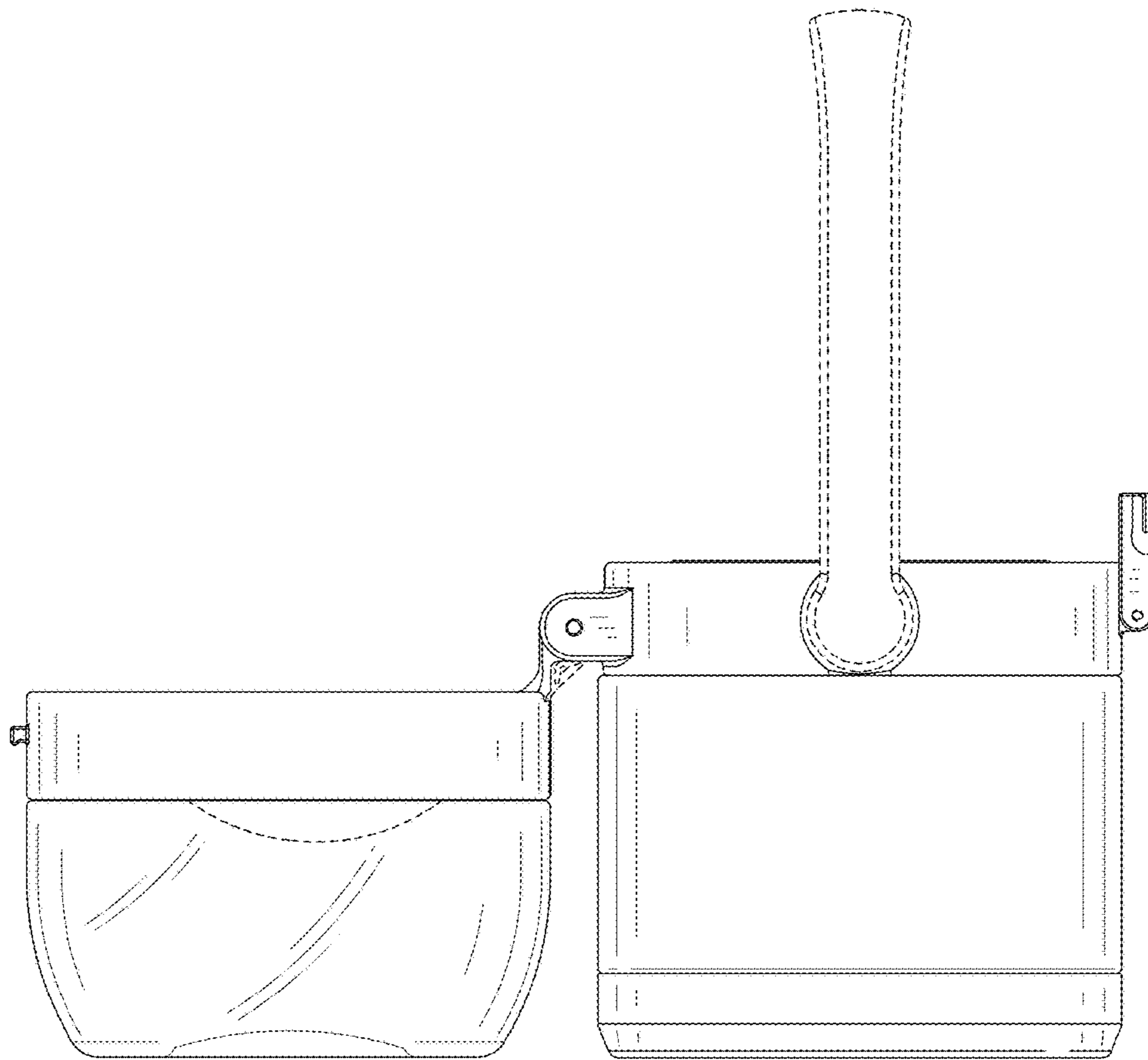


FIG. 19

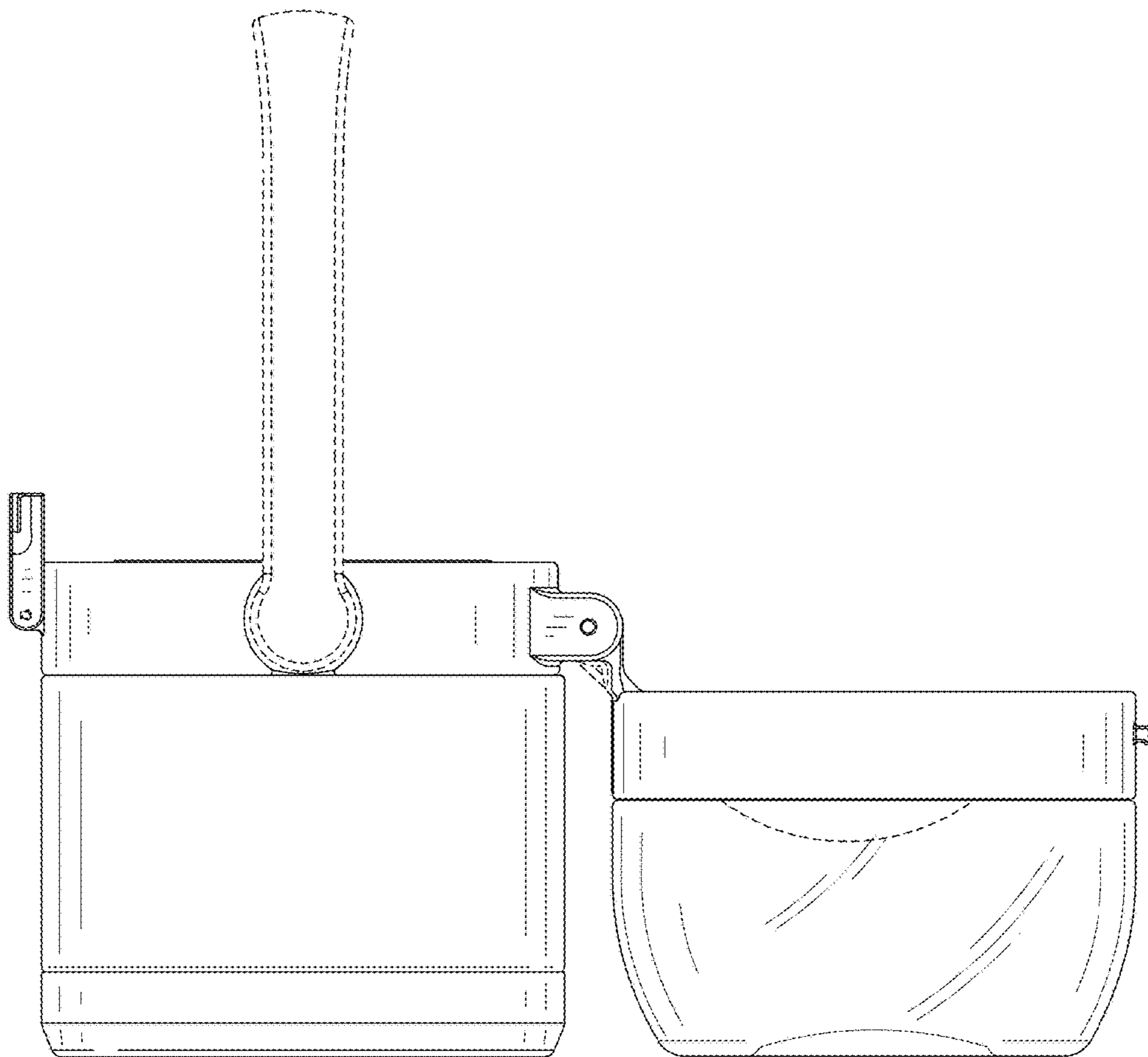


FIG. 20