



US00D784092S

(12) **United States Design Patent** (10) **Patent No.:** **US D784,092 S**
Feldgreber (45) **Date of Patent:** **** Apr. 18, 2017**

(54) **FOOD CONTAINER**

B65D 43/00; B65D 43/02; B65D 43/14;
B65D 88/00; B65D 88/74

(71) Applicant: **Maria N. Feldgreber**, Buffalo Grove, IL (US)

See application file for complete search history.

(72) Inventor: **Maria N. Feldgreber**, Buffalo Grove, IL (US)

(56) **References Cited**

(**) Term: **14 Years**

U.S. PATENT DOCUMENTS

(21) Appl. No.: **29/445,383**

D4,837 S *	4/1871	Bockee, Jr.	D9/532
D58,501 S *	7/1921	Pease	D7/608
D61,009 S *	5/1922	Amato	D7/608
D91,380 S *	1/1934	Willman	D7/361
D107,095 S *	11/1937	Rideout	D32/53
D107,795 S *	1/1938	Robinson	D7/603
D170,295 S *	8/1953	Ziskin et al.	D7/615
2,738,900 A *	3/1956	Wenger	141/380
D181,725 S *	12/1957	Gits	D7/604
D183,684 S *	10/1958	Ernest	D7/361
D195,867 S *	8/1963	Miller et al.	D7/603

(22) Filed: **Feb. 11, 2013**

(51) **LOC (10) Cl.** **07-01**

(52) **U.S. Cl.**

USPC **D7/628**

(58) **Field of Classification Search**

USPC D7/601, 602, 628, 603, 604, 605, 606,
D7/608, 610, 612, 613, 614, 615, 701,
D7/702, 703, 705, 706, 708, 619.1, 619.2,
D7/622, 623, 323, 325, 324, 354, 361,
D7/362, 363, 543; 99/323.4, 323.5, 324,
99/325, 326, 403, 425; D3/206, 270,
D3/271.1, 271.3; D21/576; D32/53;
206/457; D9/601, 614, 625, 623, 738,
D9/761, 753, 767, 772, 776, 780, 516,
D9/527, 528, 530, 531, 532, 537, 539,
D9/540, 542, 543, 549, 574, 575, 907

CPC A47G 19/12; A47G 23/04; A47G 29/14;
A47J 27/00; A47J 27/08; A47J 27/21;
A47J 27/58; A47J 36/025; A47J 36/06;
A47J 36/12; A47J 37/00; A47J 37/1204;
A47J 45/061; A47J 45/071; A47J 45/08;
H05B 6/12; B65D 1/00; B65D 1/10;
B65D 3/00; B65D 3/02; B65D 3/04;
B65D 11/00; B65D 11/02; B65D 11/06;
B65D 11/20; B65D 15/00; B65D 15/02;
B65D 15/04; B65D 15/10; B65D 15/16;
B65D 17/02; B65D 21/00; B65D 39/00;

(Continued)

Primary Examiner — Ian Simmons

Assistant Examiner — Shannon Morgan

(74) *Attorney, Agent, or Firm* — Seed IP Law Group LLP

(57) **CLAIM**

The ornamental design for a food container, substantially as shown and described.

DESCRIPTION

FIG. 1 is a perspective view of a food container, showing my new design.

FIG. 2 is a front elevational view thereof.

FIG. 3 is a rear elevational view thereof.

FIG. 4 is a top plan view thereof.

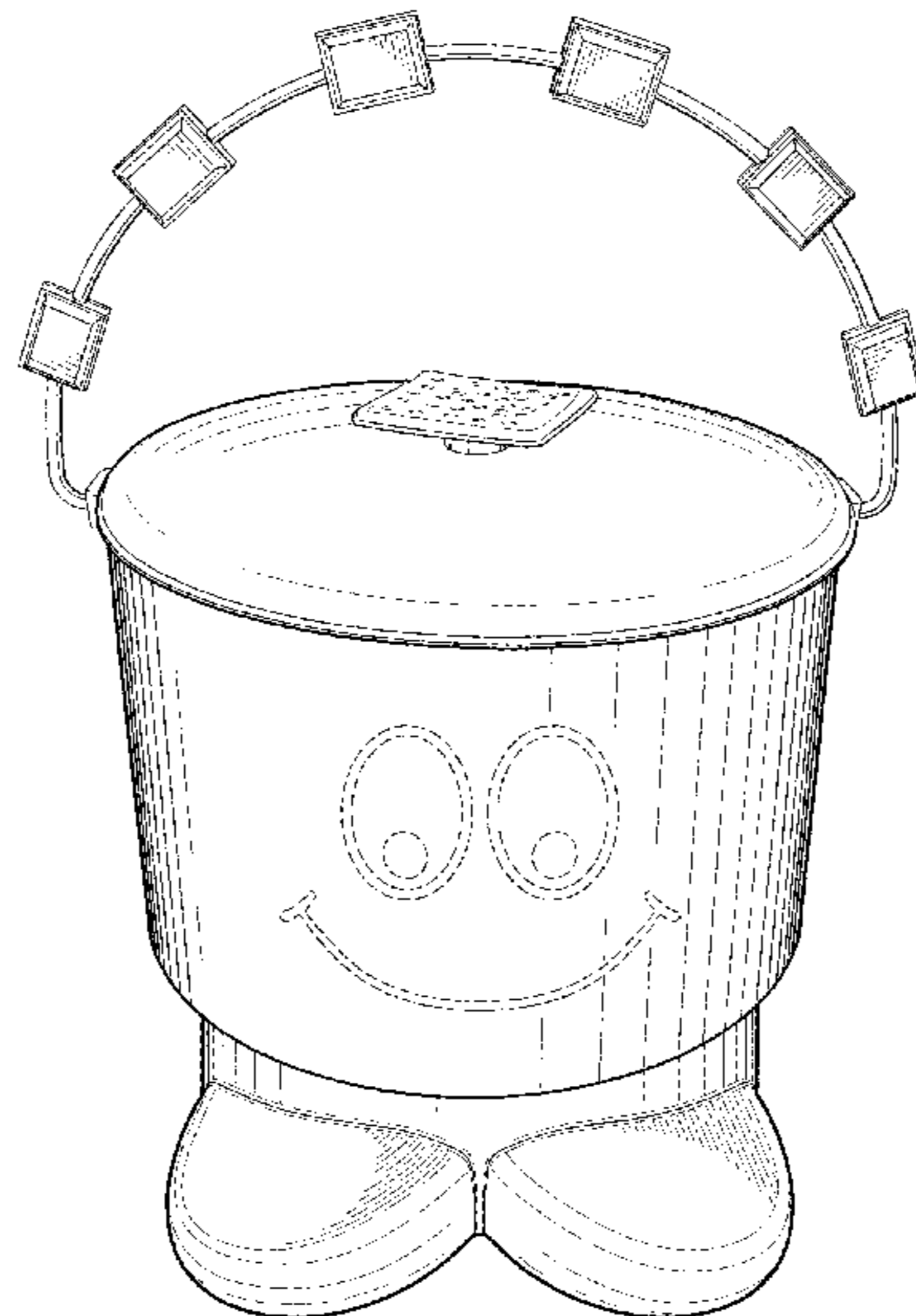
FIG. 5 is a bottom plan view thereof.

FIG. 6 is a left side elevational view thereof; and,

FIG. 7 is a right side elevational view thereof.

The broken lines shown in FIGS. 1, 2, 3, 4, 6, and 7 represent portions of the food container that form no part of the claimed design.

1 Claim, 7 Drawing Sheets



(56)

References Cited

U.S. PATENT DOCUMENTS

D215,866 S * 11/1969 Jacobsen D7/603
D216,037 S * 11/1969 Douglas D7/608
D230,459 S * 2/1974 Gulotta D7/360
D279,699 S * 7/1985 Coyne D21/525
D286,251 S * 10/1986 Steyn D7/605
D294,110 S * 2/1988 Kenyon D7/360
D315,246 S * 3/1991 Drake D3/271.3
D346,110 S * 4/1994 Hale D3/271.3
5,544,568 A * 8/1996 Potgieter 99/340
D429,449 S * 8/2000 Aronson D7/628
D431,150 S * 9/2000 Kalina et al. D7/354
D437,522 S * 2/2001 Measom D7/354
D458,507 S * 6/2002 Meelen D7/354
D501,898 S * 2/2005 Rutherford et al. D21/623
D520,409 S * 5/2006 Thorsteinsson D11/160
D549,041 S * 8/2007 Kellermann et al. D7/354
D616,309 S * 5/2010 Toh et al. D9/563
D643,734 S * 8/2011 Perez et al. D9/548
D673,806 S * 1/2013 Upston D7/354
D683,179 S * 5/2013 Coursey et al. D7/360
D702,991 S * 4/2014 Roussard D7/360
D711,679 S * 8/2014 Day et al. D7/354
D721,925 S * 2/2015 Feldman et al. D7/623
D735,519 S * 8/2015 Benoit D7/354
2014/0353309 A1 * 12/2014 Albers 220/4.07

* cited by examiner

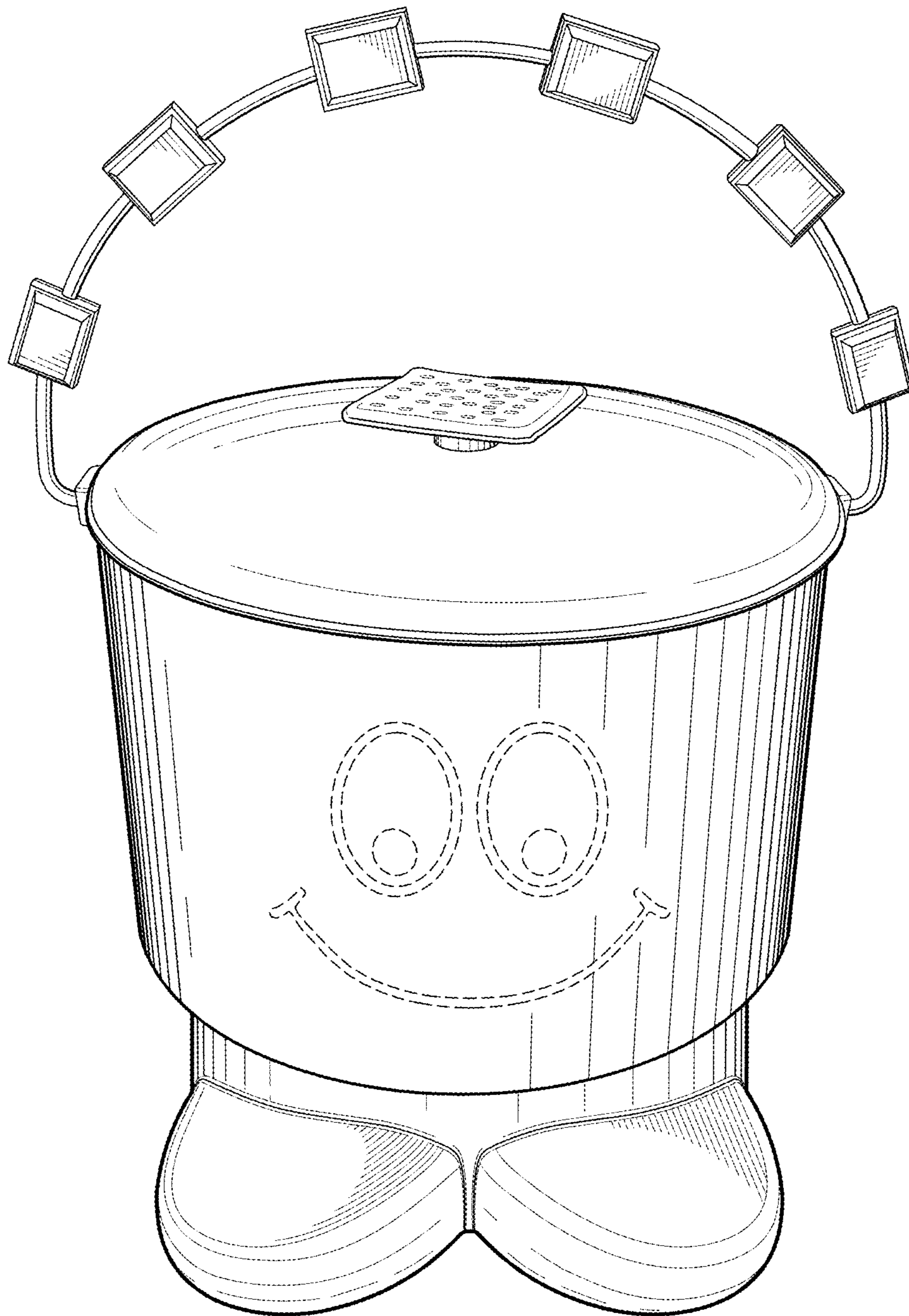


FIG. 1

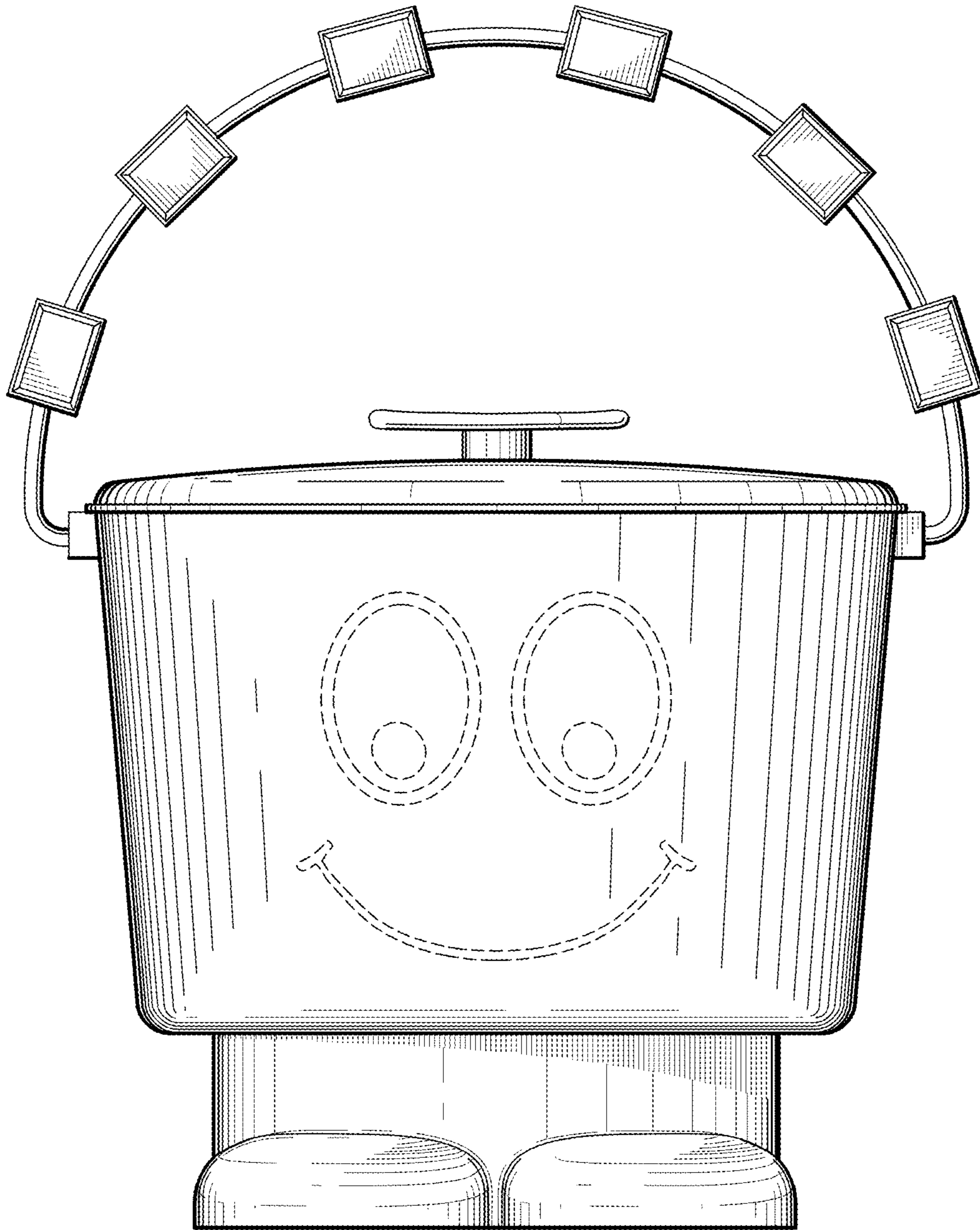


FIG. 2

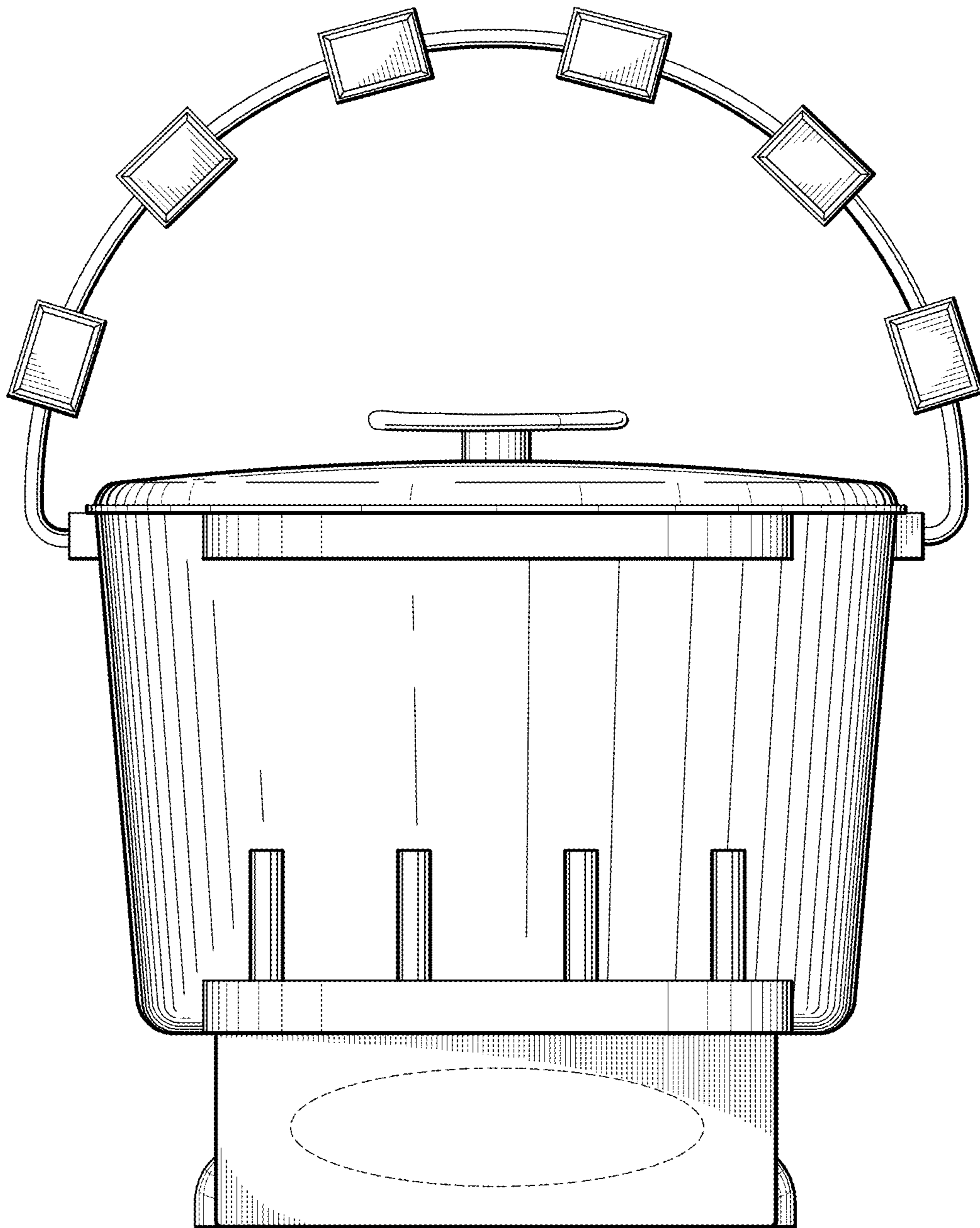


FIG. 3

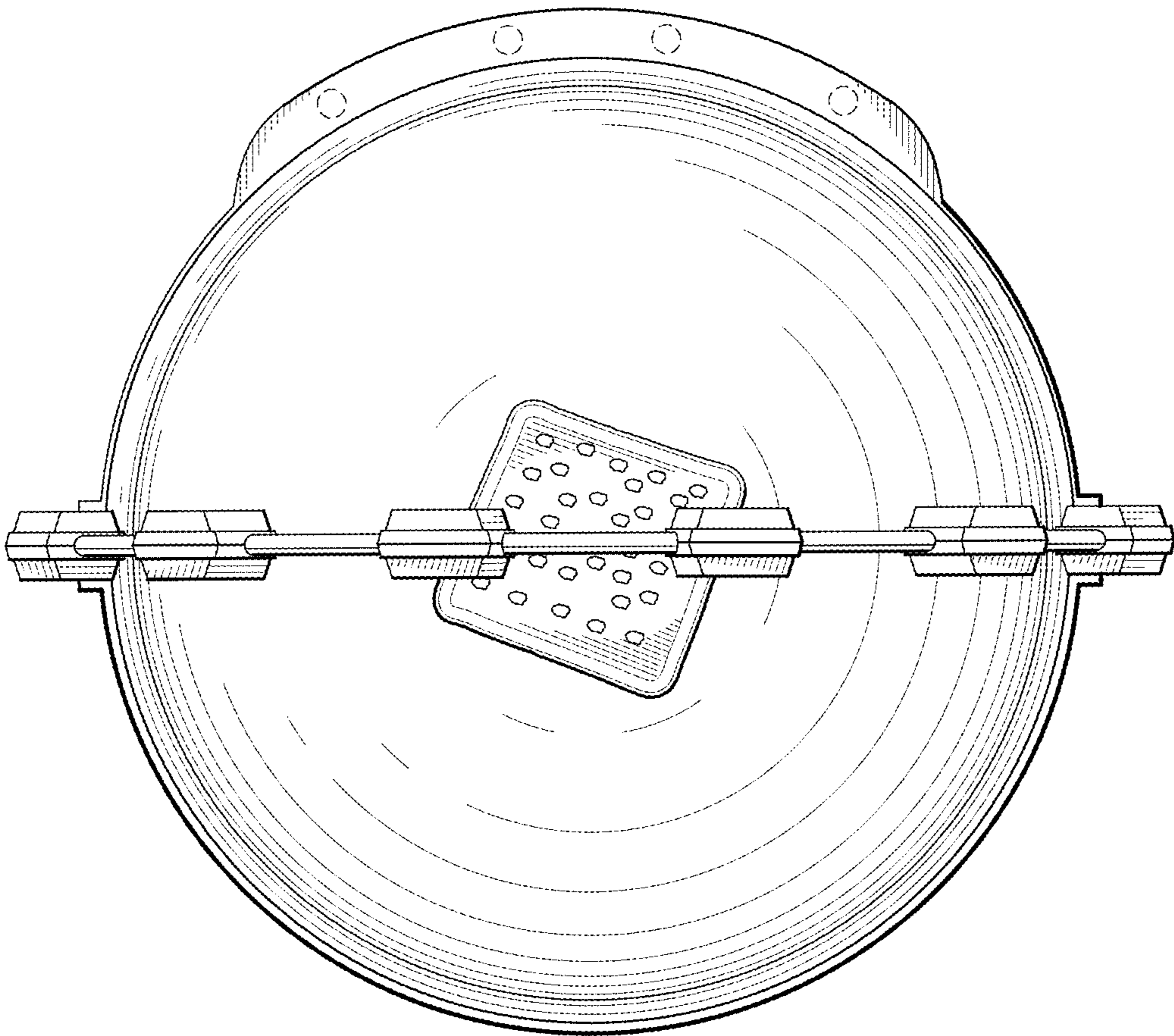


FIG.4

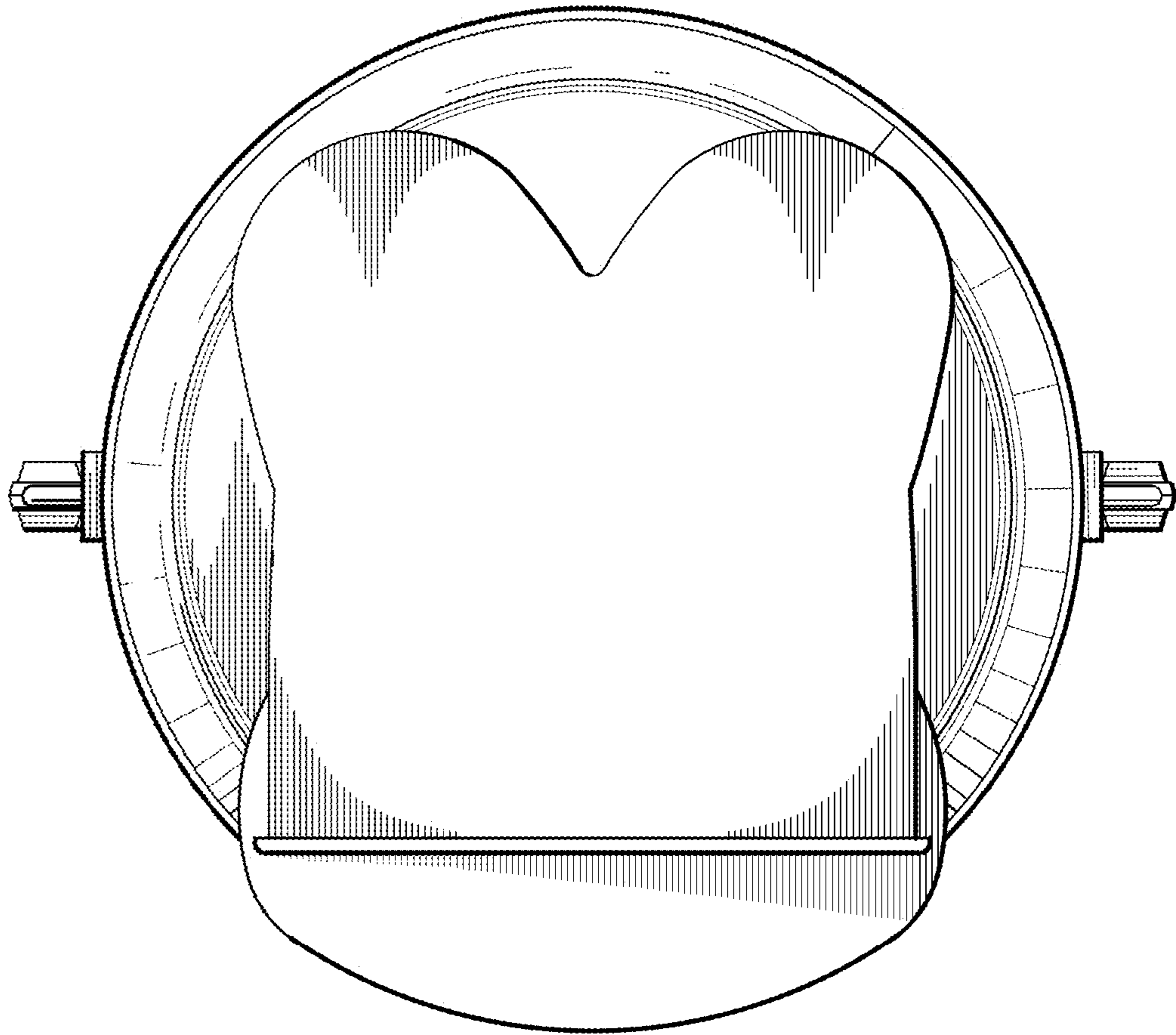


FIG. 5

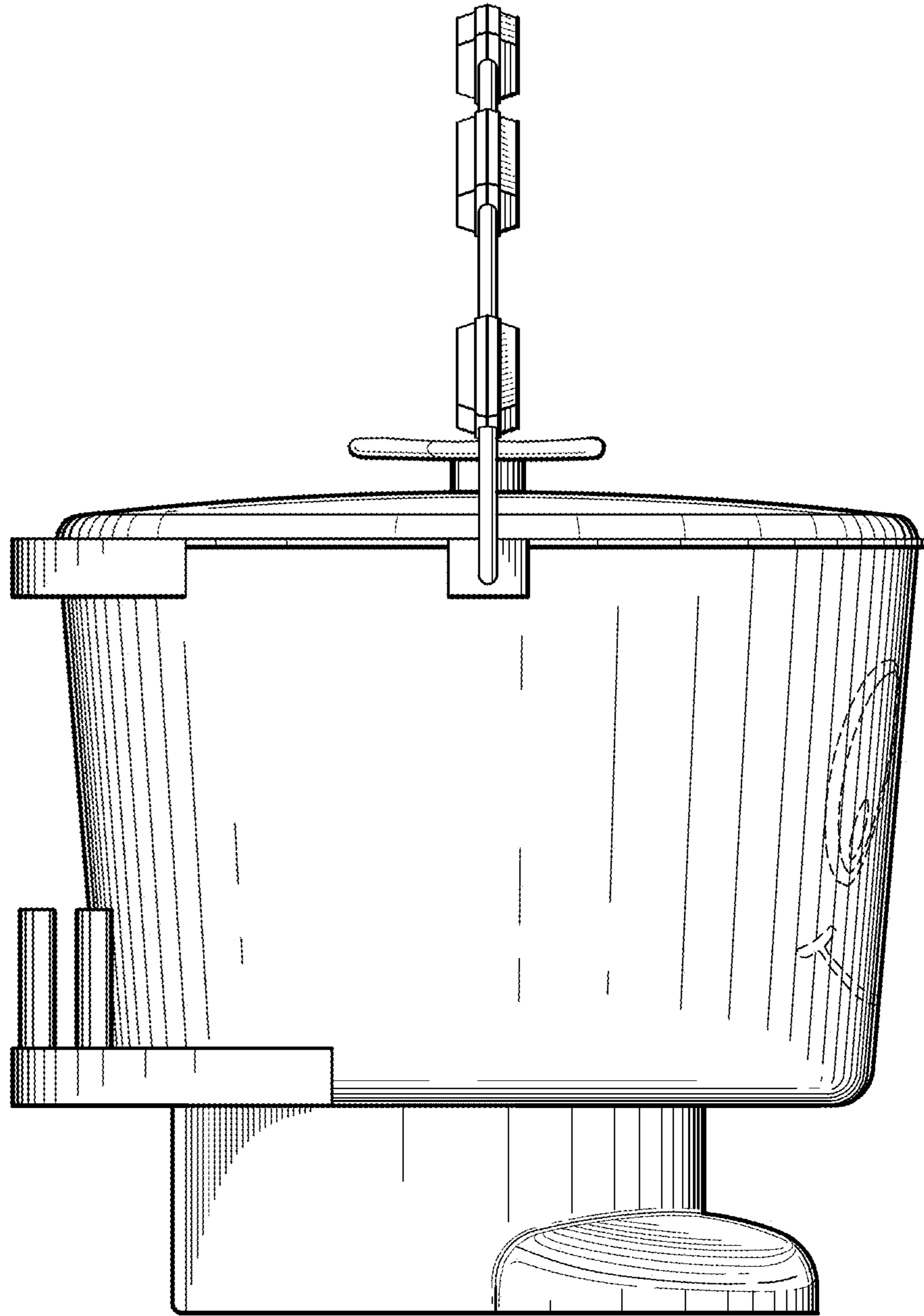


FIG. 6

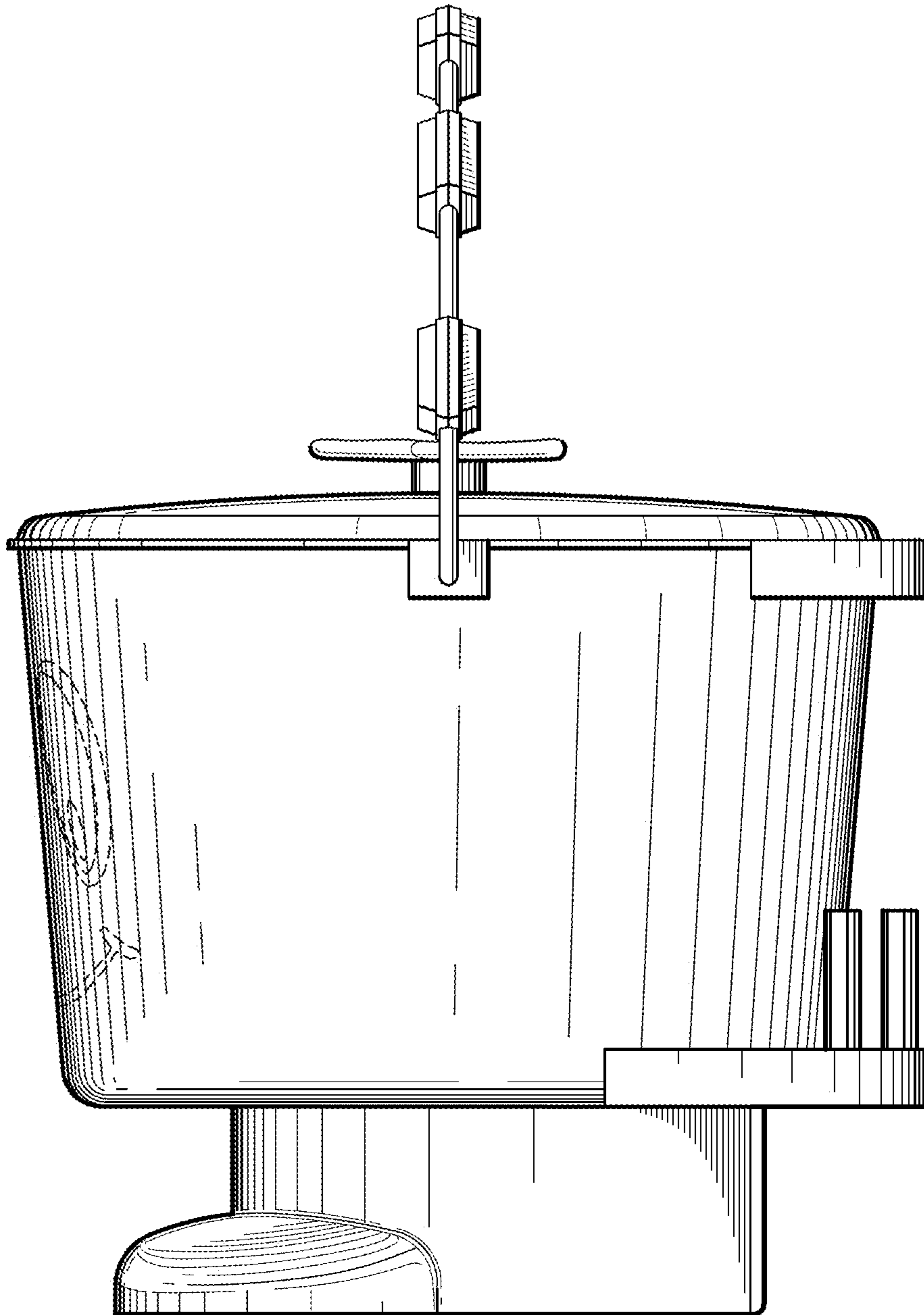


FIG. 7