



US00D784091S

(12) **United States Design Patent**
Pisarevsky

(10) **Patent No.:** **US D784,091 S**

(45) **Date of Patent:** **** Apr. 18, 2017**

(54) **MULTI-PURPOSE CONTAINER FOR A BEVERAGE CONTAINER**

D606,874 S * 12/2009 Faridovich D9/634
D674,437 S * 1/2013 Siegel D19/26
D736,517 S * 8/2015 Lee D3/202

(71) Applicant: **Eric Pisarevsky**, Montreal (CA)

* cited by examiner

(72) Inventor: **Eric Pisarevsky**, Montreal (CA)

Primary Examiner — Terry Wallace

(**) Term: **15 Years**

(21) Appl. No.: **29/550,339**

(22) Filed: **Jan. 1, 2016**

(51) **LOC (10) Cl.** **07-01**

(52) **U.S. Cl.**

USPC **D7/625**

(58) **Field of Classification Search**

USPC D7/605–607, 619.1–625; D3/202;
D19/26

CPC . A24F 15/02; A47G 23/0216; A47G 23/0258;
F25D 3/08; F25D 2331/804

See application file for complete search history.

(56) **References Cited**

U.S. PATENT DOCUMENTS

1,646,632 A * 10/1927 Spinner A24F 15/02
132/315

D429,761 S * 8/2000 Ward D19/26

(57) **CLAIM**

The ornamental design for a multi-purpose container for a beverage container, as shown described.

DESCRIPTION

FIG. 1 is a perspective view of a multi-purpose container for a beverage container showing my new design.

FIG. 2 is a left side view thereof.

FIG. 3 is a front view thereof.

FIG. 4 is a top plan view thereof.

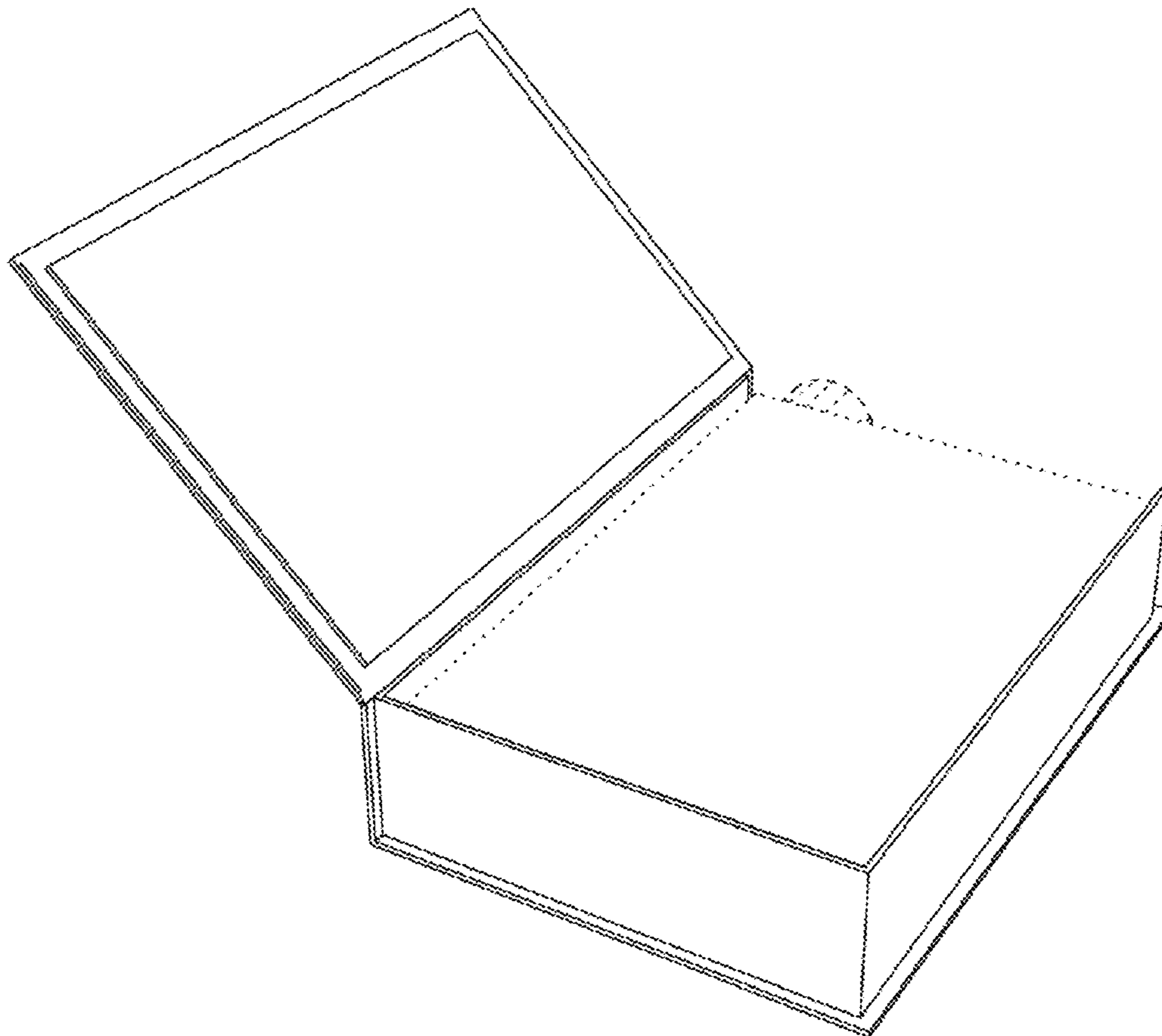
FIG. 5 is a bottom plan view thereof.

FIG. 6 is a perspective view thereof in an alternate position; and,

FIG. 7 is an exploded perspective view thereof in an alternate position.

The broken lines are for illustrative purposes only and form no part of the claimed design.

1 Claim, 5 Drawing Sheets



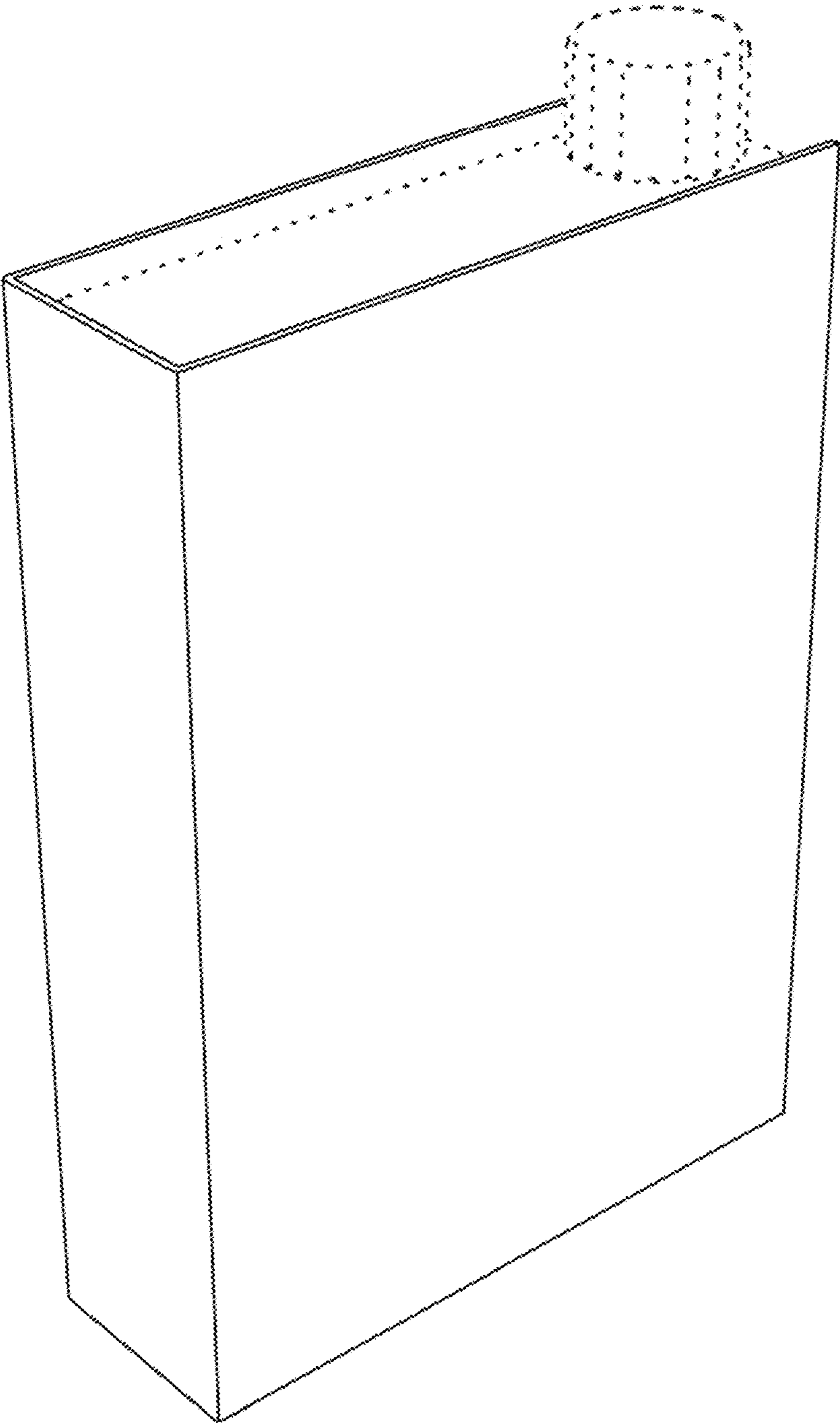


fig. 1

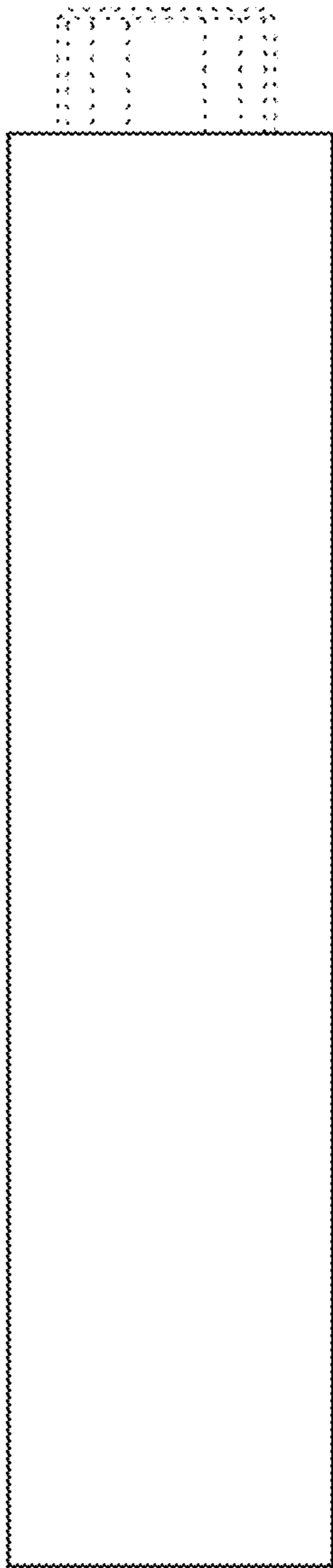


fig.2

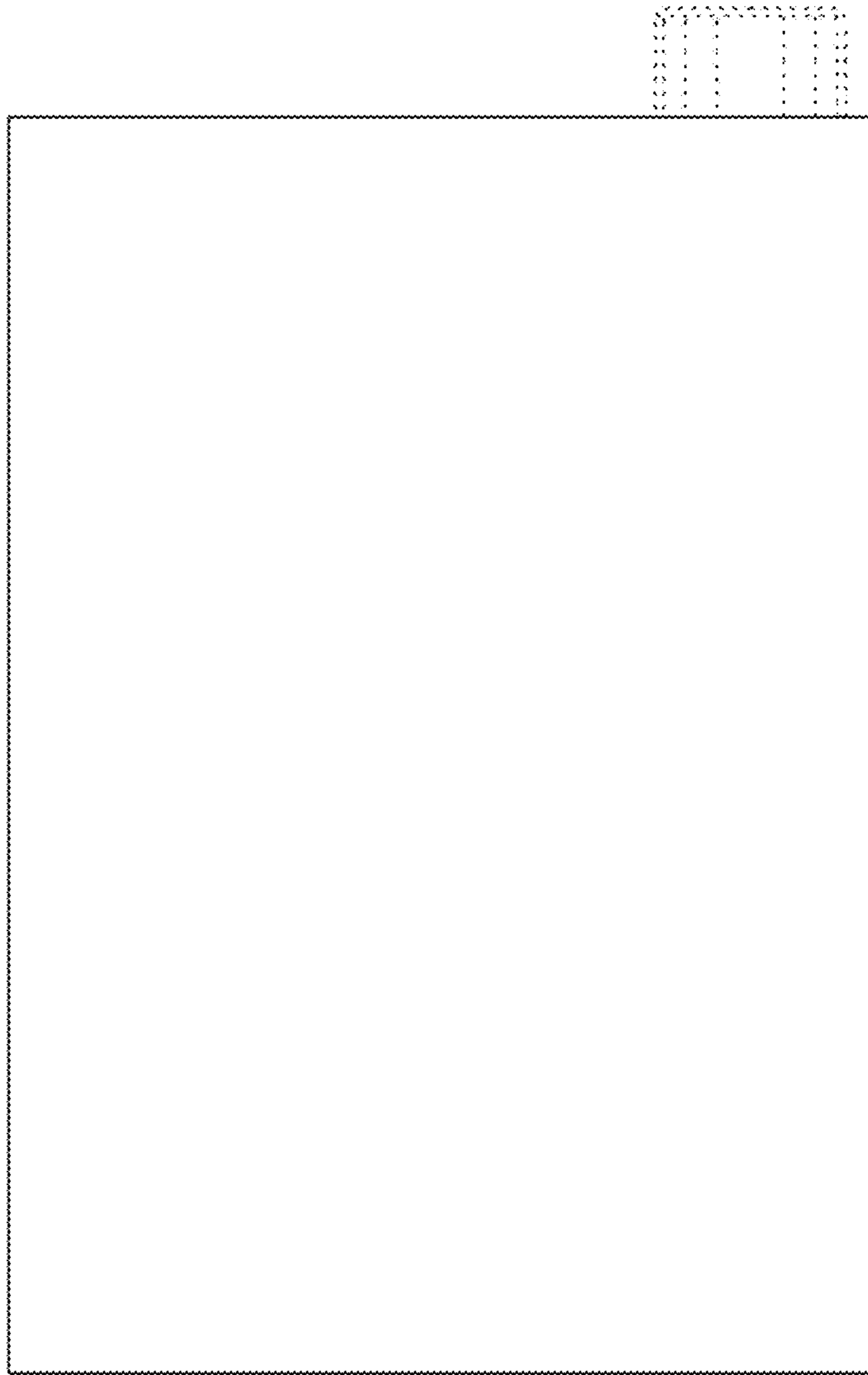


fig.3

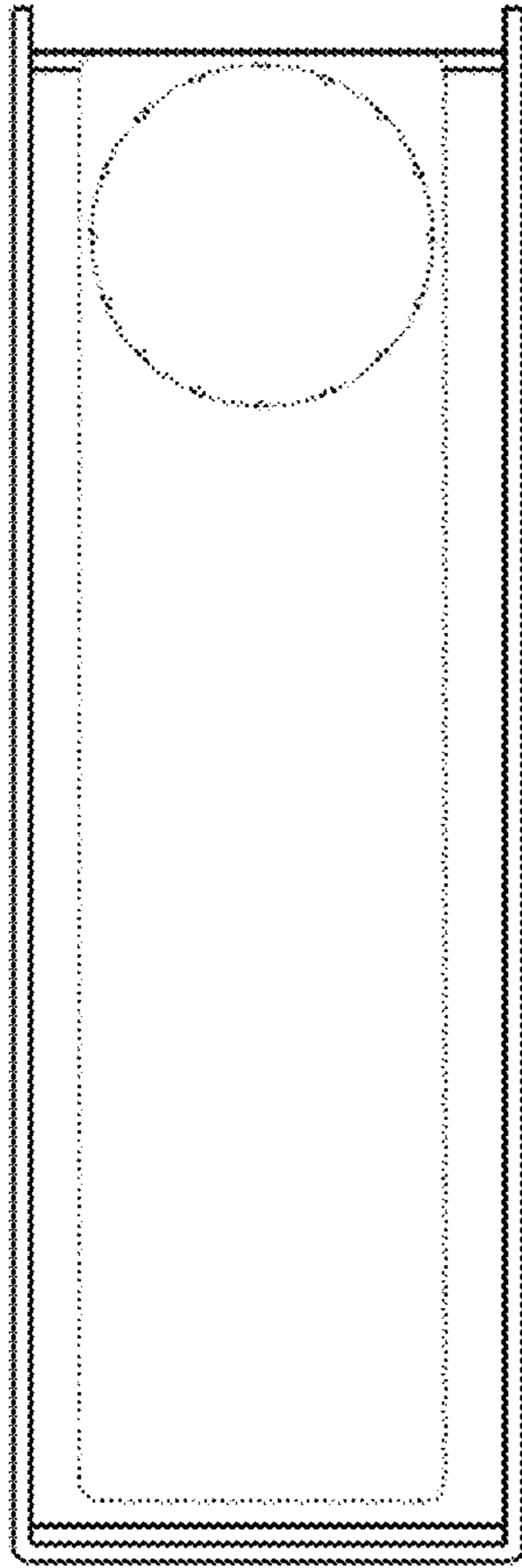


fig.4

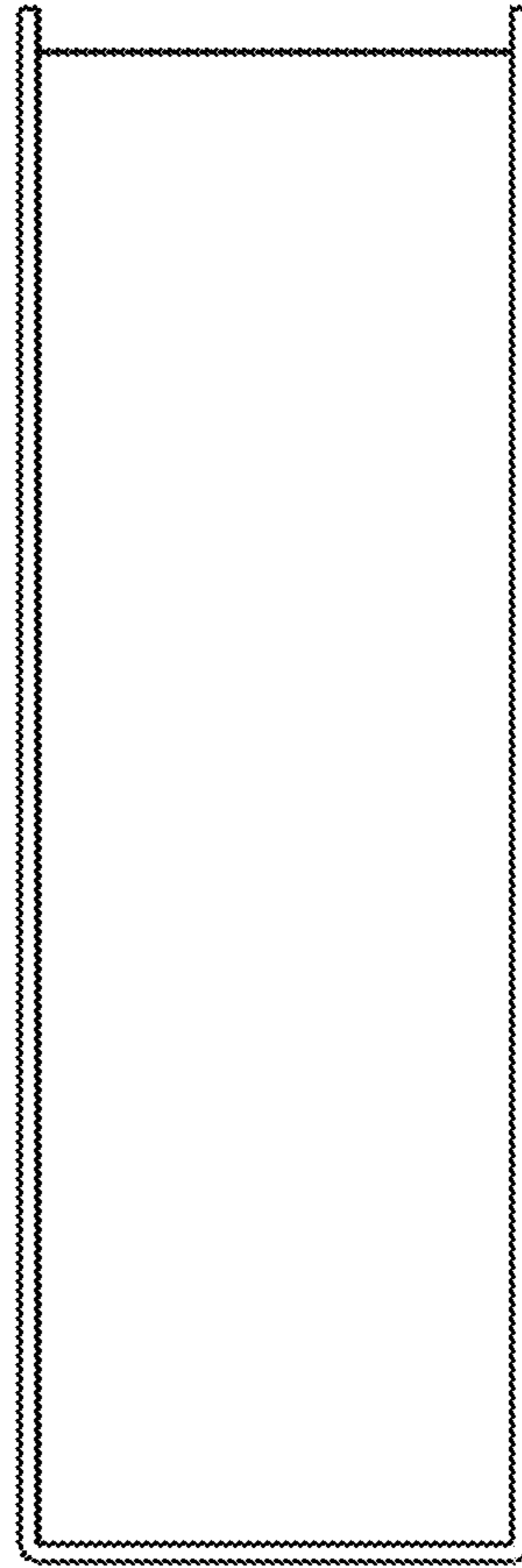


fig.5

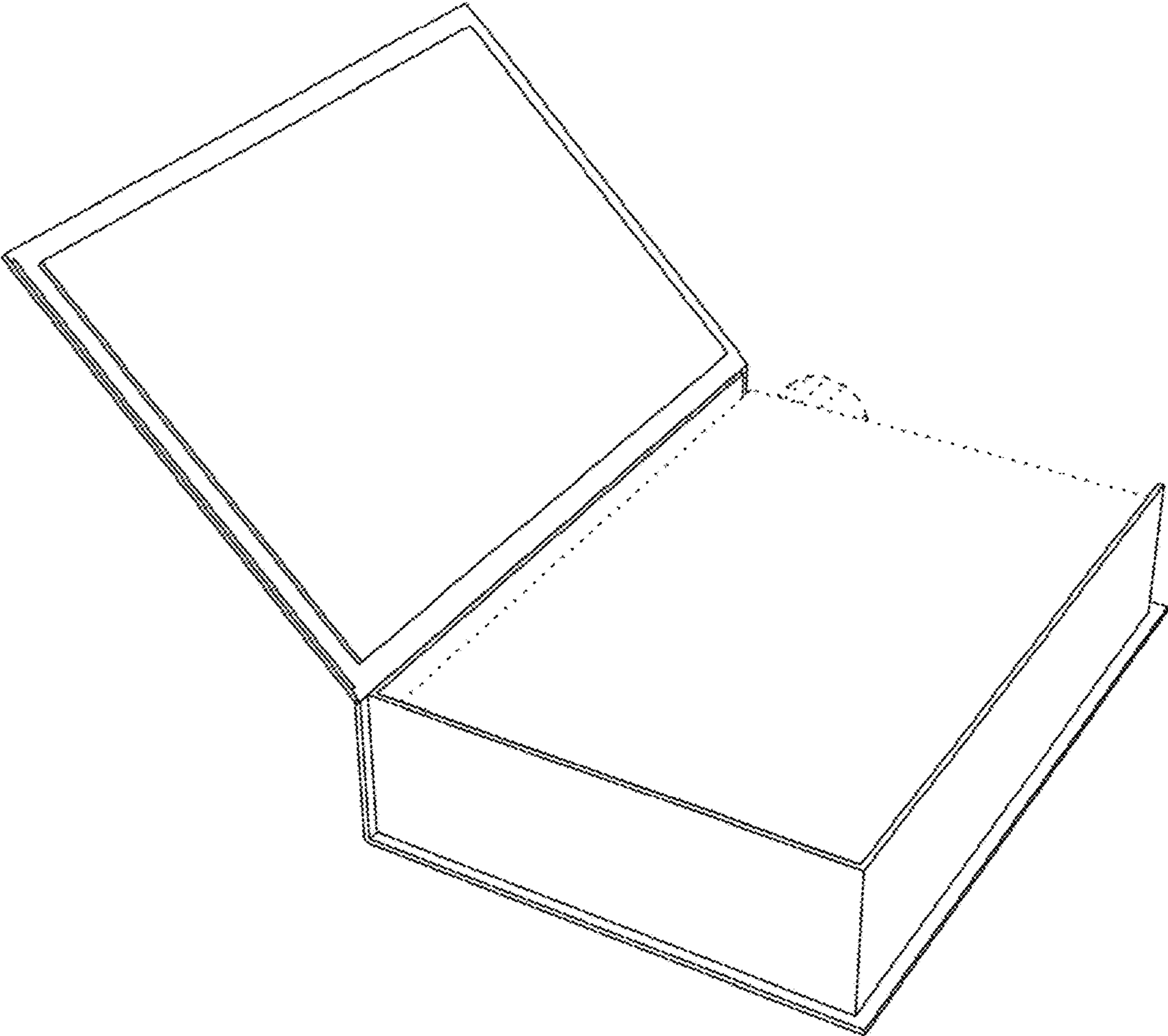


fig.6

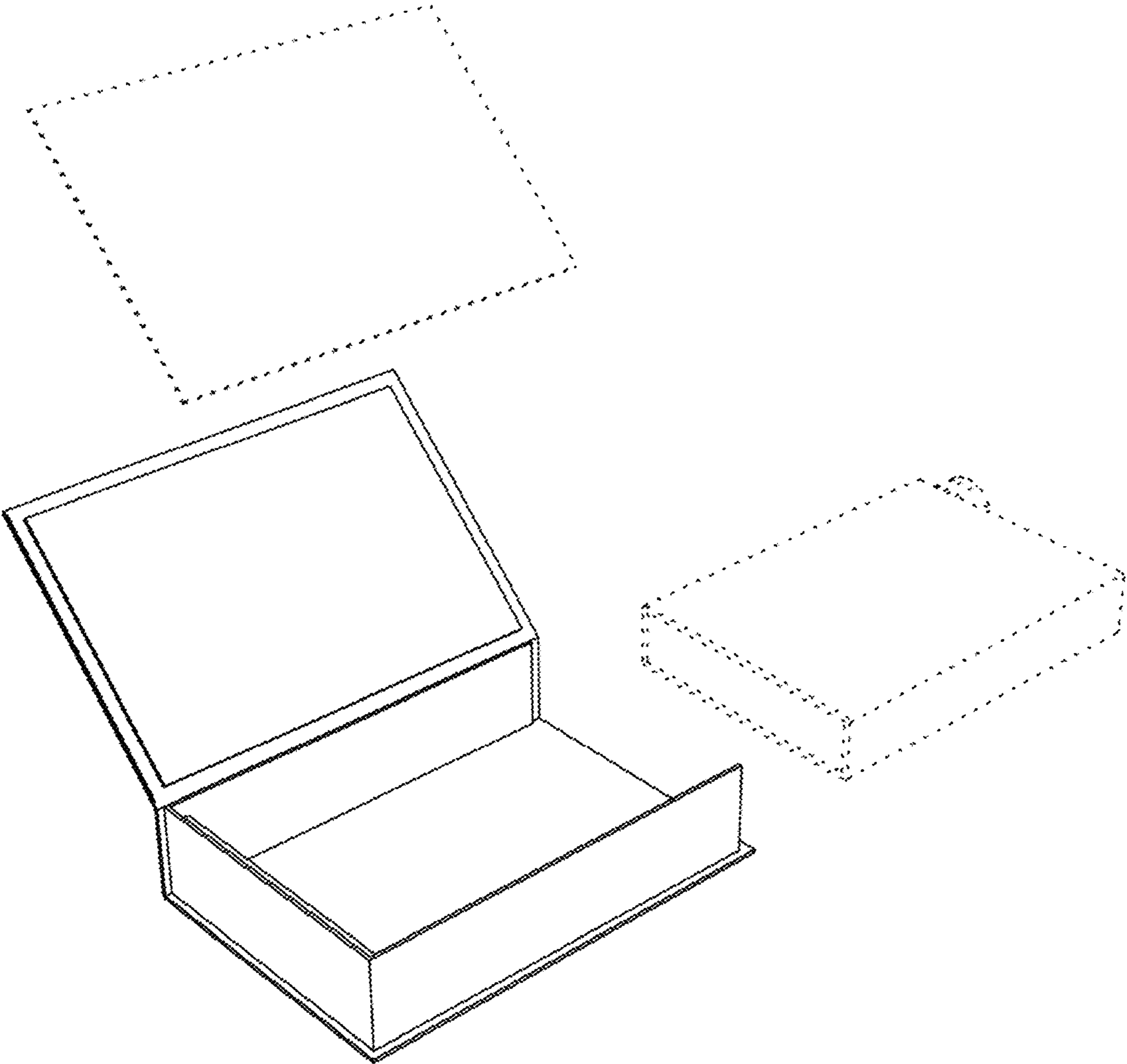


fig.7