



US00D784090S

(12) **United States Design Patent** (10) **Patent No.:** **US D784,090 S**
Mellentine (45) **Date of Patent:** **** Apr. 18, 2017**

(54) **BEVERAGE HOLDER**

D455,052 S * 4/2002 Gullickson D7/619.1
D703,492 S * 4/2014 Schmidt D7/608
2013/0200089 A1* 8/2013 Vidal B23P 11/00
220/739

(71) Applicant: **Jay Douglas Mellentine**, Elgin, IL
(US)

(72) Inventor: **Jay Douglas Mellentine**, Elgin, IL
(US)

* cited by examiner

Primary Examiner — Terry Wallace

(**) Term: **15 Years**

(21) Appl. No.: **29/539,074**

(22) Filed: **Sep. 10, 2015**

(51) **LOC (10) Cl.** **07-06**

(52) **U.S. Cl.**
USPC **D7/624.2; D7/607**

(58) **Field of Classification Search**
USPC D7/619.1–625, 605–608
CPC A47J 41/02; A47J 41/0077; B65D 1/0215;
B65D 81/3886; F25D 3/08; F25D
2331/804; A47G 23/0216; A47G 23/0258;
F17C 13/001
See application file for complete search history.

(57) **CLAIM**

The ornamental design for a beverage holder, as shown and described.

DESCRIPTION

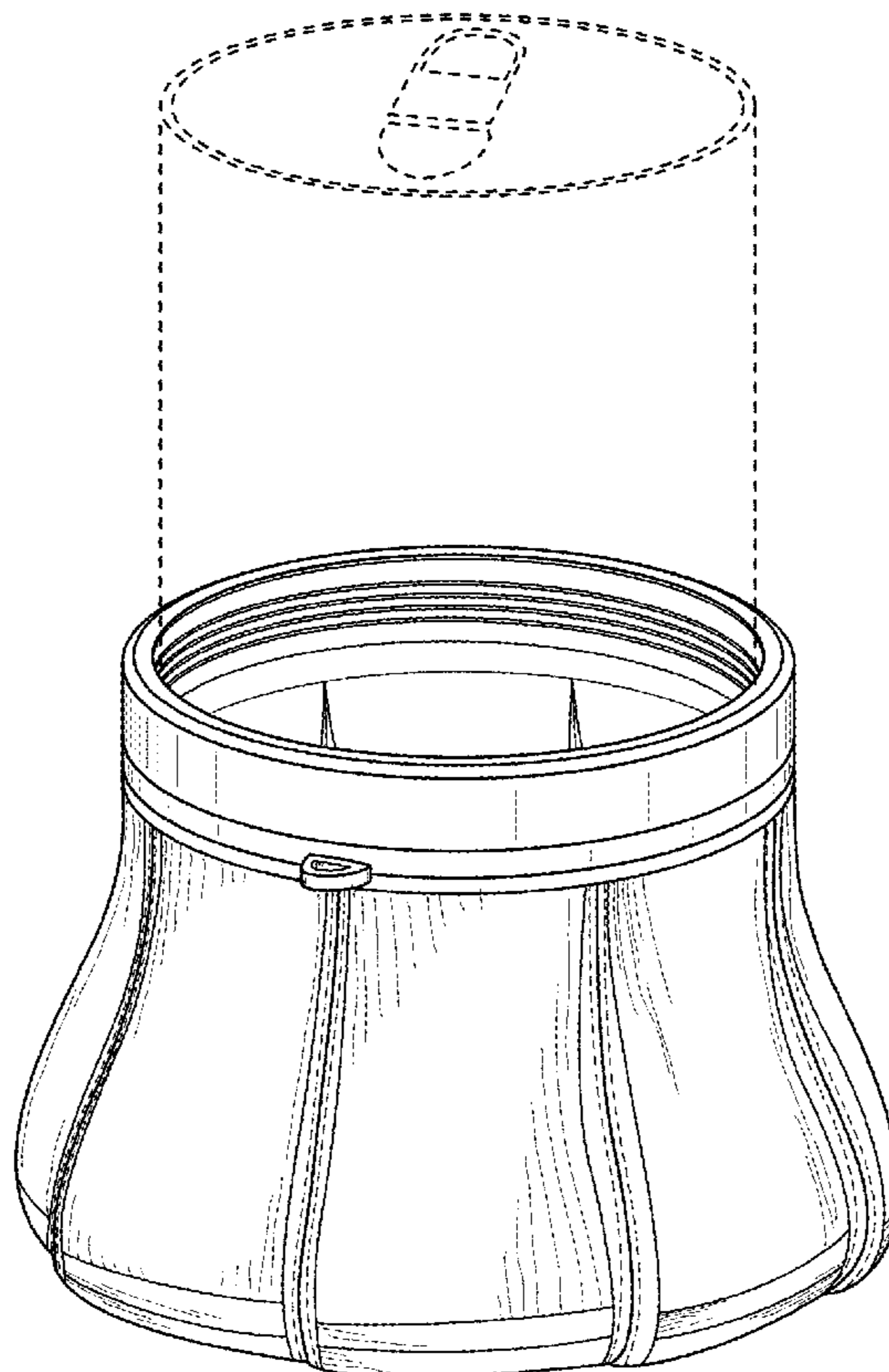
FIG. 1 is a perspective view of the beverage holder embodying the new design;
FIG. 2 is a front view of the embodiment in FIG. 1;
FIG. 3 is a rear view of the embodiment in FIG. 1;
FIG. 4 is a top view of the embodiment in FIG. 1; and,
FIG. 5 is a bottom view of the embodiment in FIG. 1.
The broken lines showing the can are for illustrative purposes only and form no part of the claimed design. The dashed lines are representative of stitching.

(56) **References Cited**

U.S. PATENT DOCUMENTS

4,344,303 A * 8/1982 Kelly, Jr. A61F 7/10
215/12.1
4,540,611 A * 9/1985 Henderson B65D 23/08
150/901

1 Claim, 3 Drawing Sheets



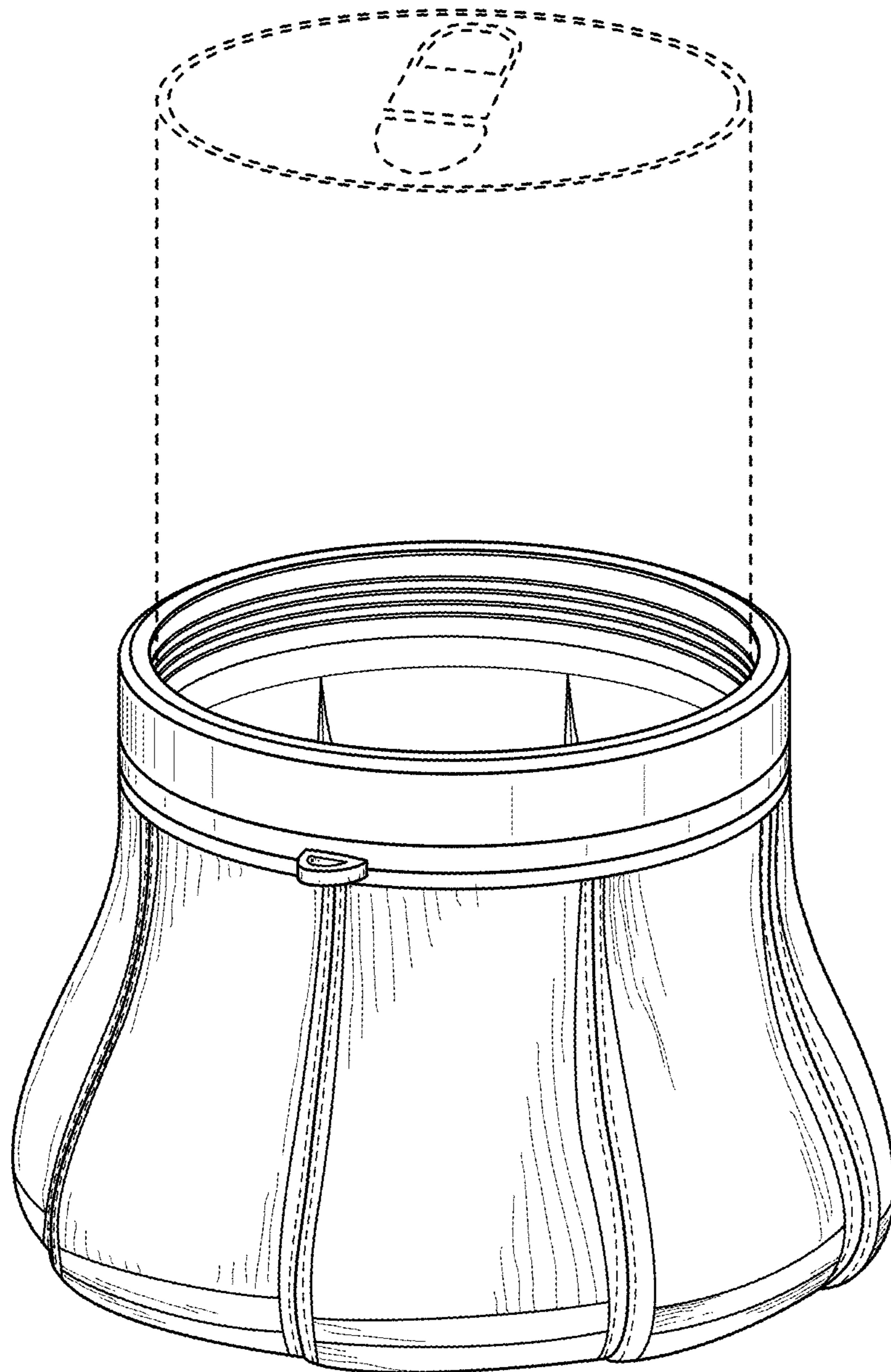


FIG. 1

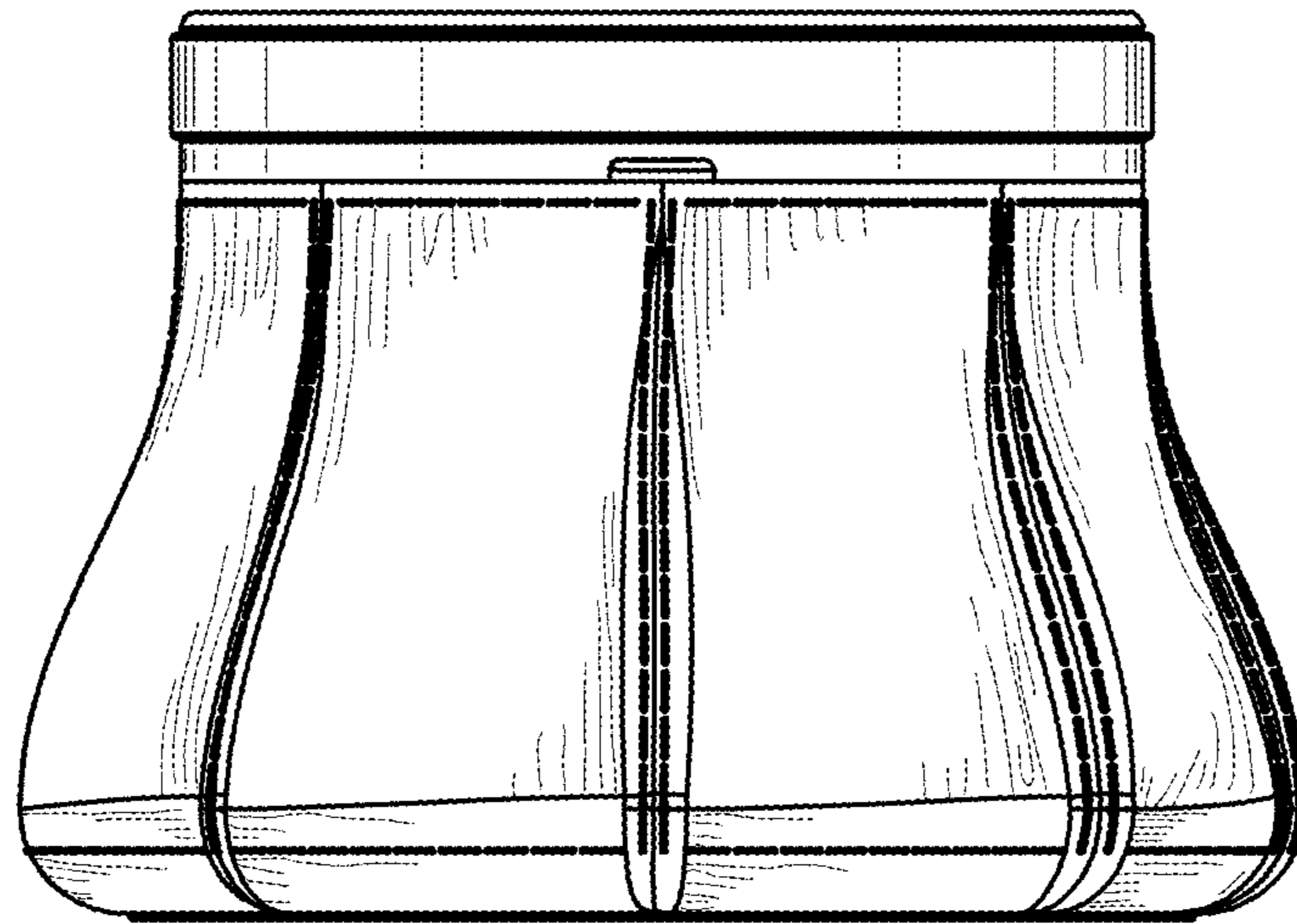


FIG. 2

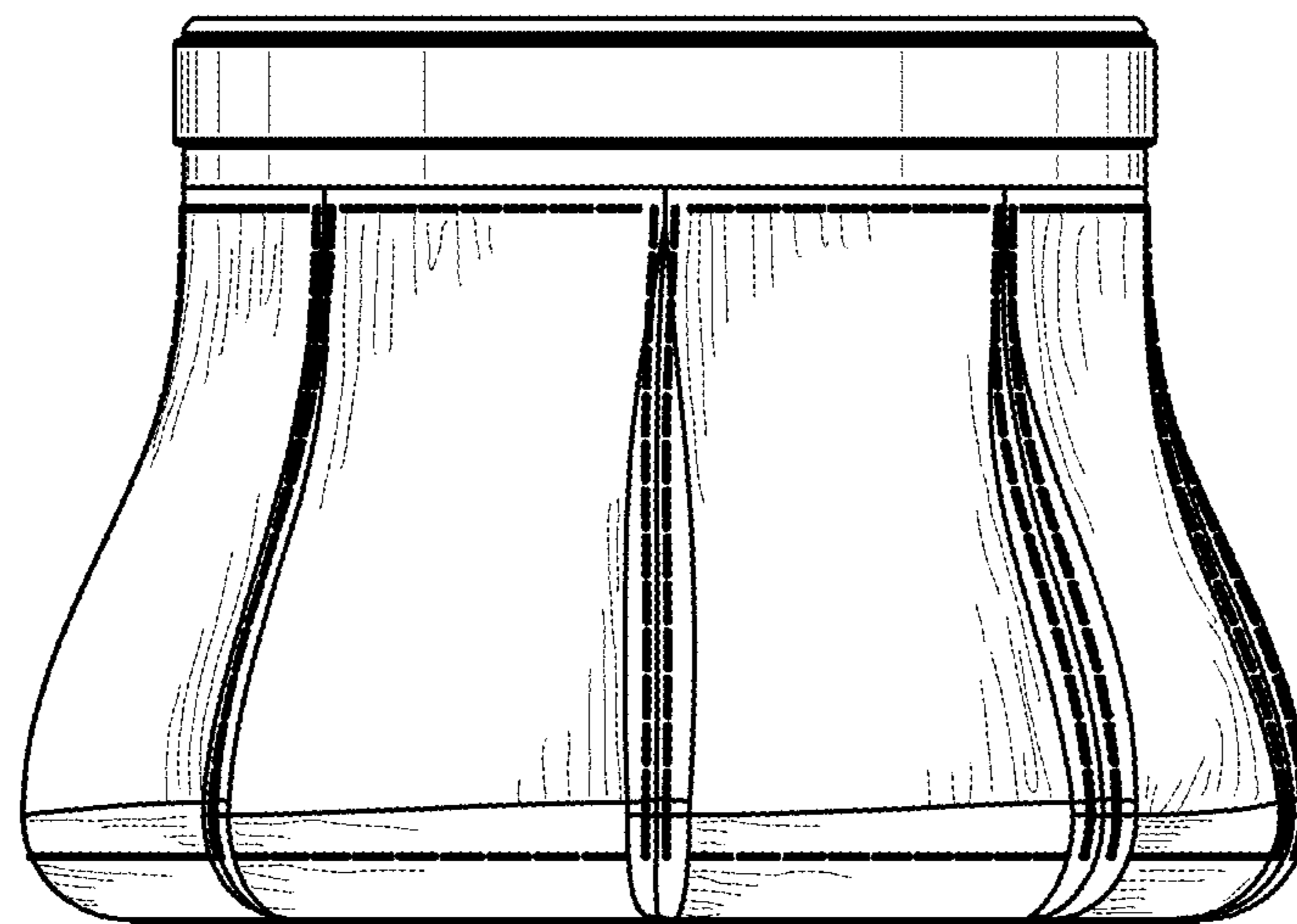


FIG. 3

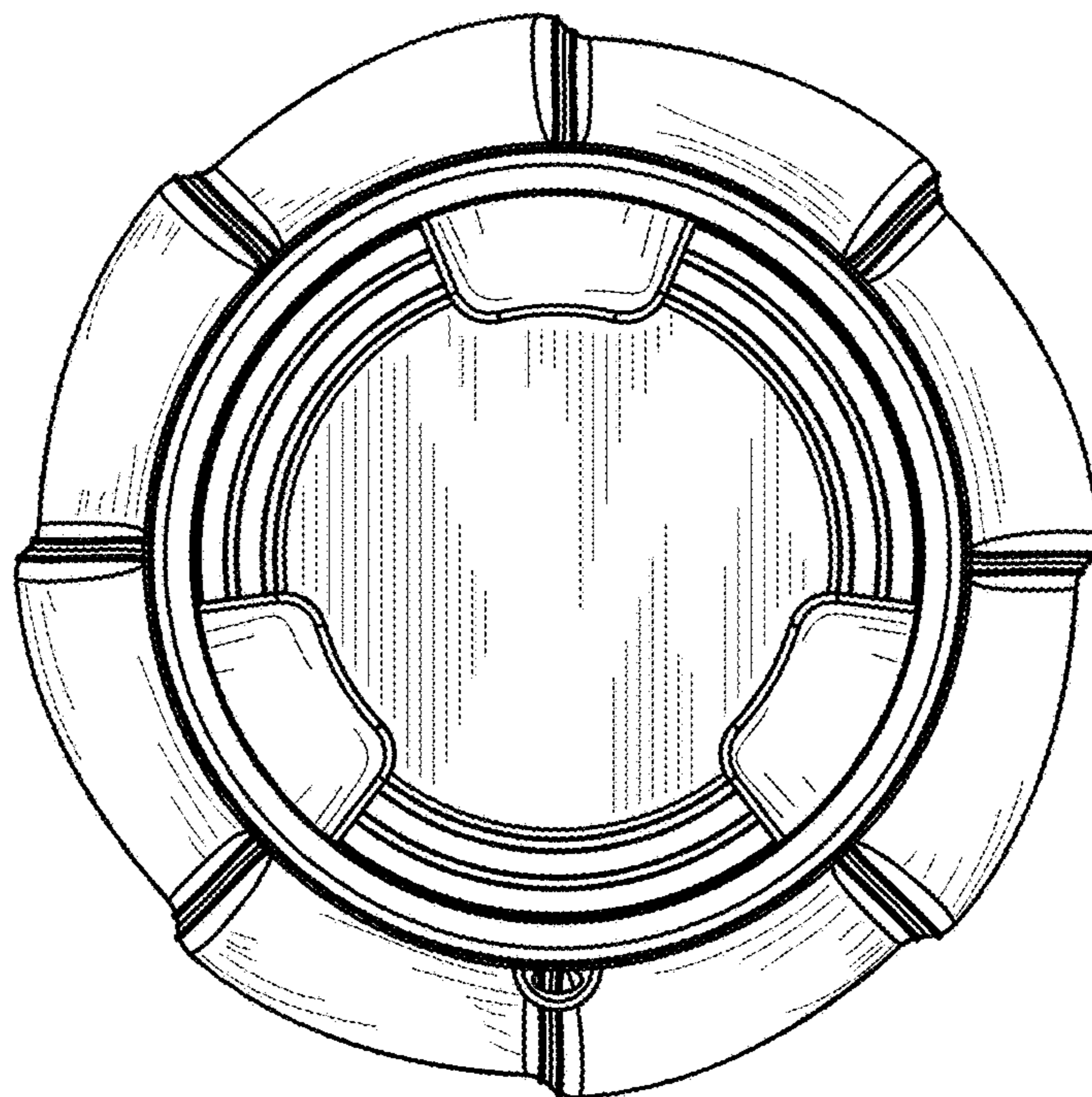


FIG. 4

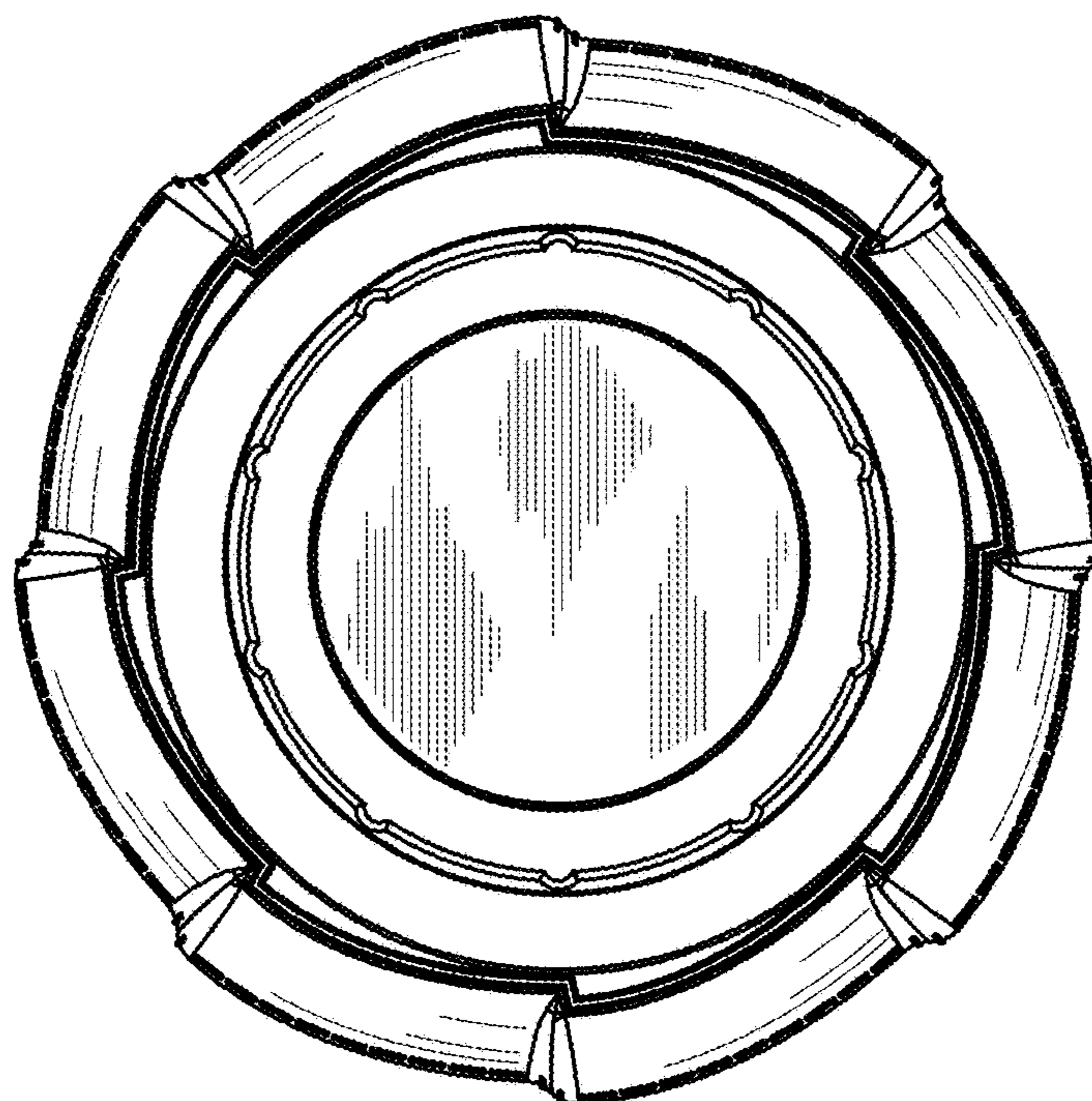


FIG. 5