



US00D784089S

(12) **United States Design Patent**  
**Furneau et al.**

(10) **Patent No.:** **US D784,089 S**

(45) **Date of Patent:** **\*\* Apr. 18, 2017**

(54) **COOLER**

(71) Applicant: **Sovaro Coolers, LLC**, Rosewell, GA (US)

(72) Inventors: **Todd McLean Furneau**, Roswell, GA (US); **Jennifer Marin Earnest**, Mabelton, GA (US)

(73) Assignee: **Sovaro Coolers, LLC**, Roswell, GA (US)

(\*\*) Term: **15 Years**

(21) Appl. No.: **29/531,937**

(22) Filed: **Jun. 30, 2015**

(51) **LOC (10) Cl.** ..... **07-01**

(52) **U.S. Cl.**  
USPC ..... **D7/605**

(58) **Field of Classification Search**  
USPC ... D7/602-608, 619.1, 619.2, 629, 630, 709, D7/710; D3/272, 273, 302  
CPC .. A45C 11/20; A45C 5/14; A45C 5/03; A47B 77/08; B65D 8/18; B65D 5/48; B65D 21/00; B65D 21/08; B65D 6/16; B65D 21/083; B65D 81/38; B65D 81/3816; B65B 63/08; F25D 3/08; F25D 27/00; F25D 3/06; F25D 2331/804; F25D 11/003; H05B 3/06; B62B 2202/52; B62B 1/12; B67D 3/0067

See application file for complete search history.

(56) **References Cited**

U.S. PATENT DOCUMENTS

D442,438 S *	5/2001	Schankowski .....	D14/168
D513,870 S *	1/2006	Rosine .....	D3/273
D573,844 S *	7/2008	Hanson .....	D7/605
D701,044 S *	3/2014	Kishimoto .....	D3/272
2012/0132657 A1 *	5/2012	Seiders .....	B65D 81/3816 220/592.2

\* cited by examiner

*Primary Examiner* — Freda S Nunn

(74) *Attorney, Agent, or Firm* — McHale & Slavin, P.A.

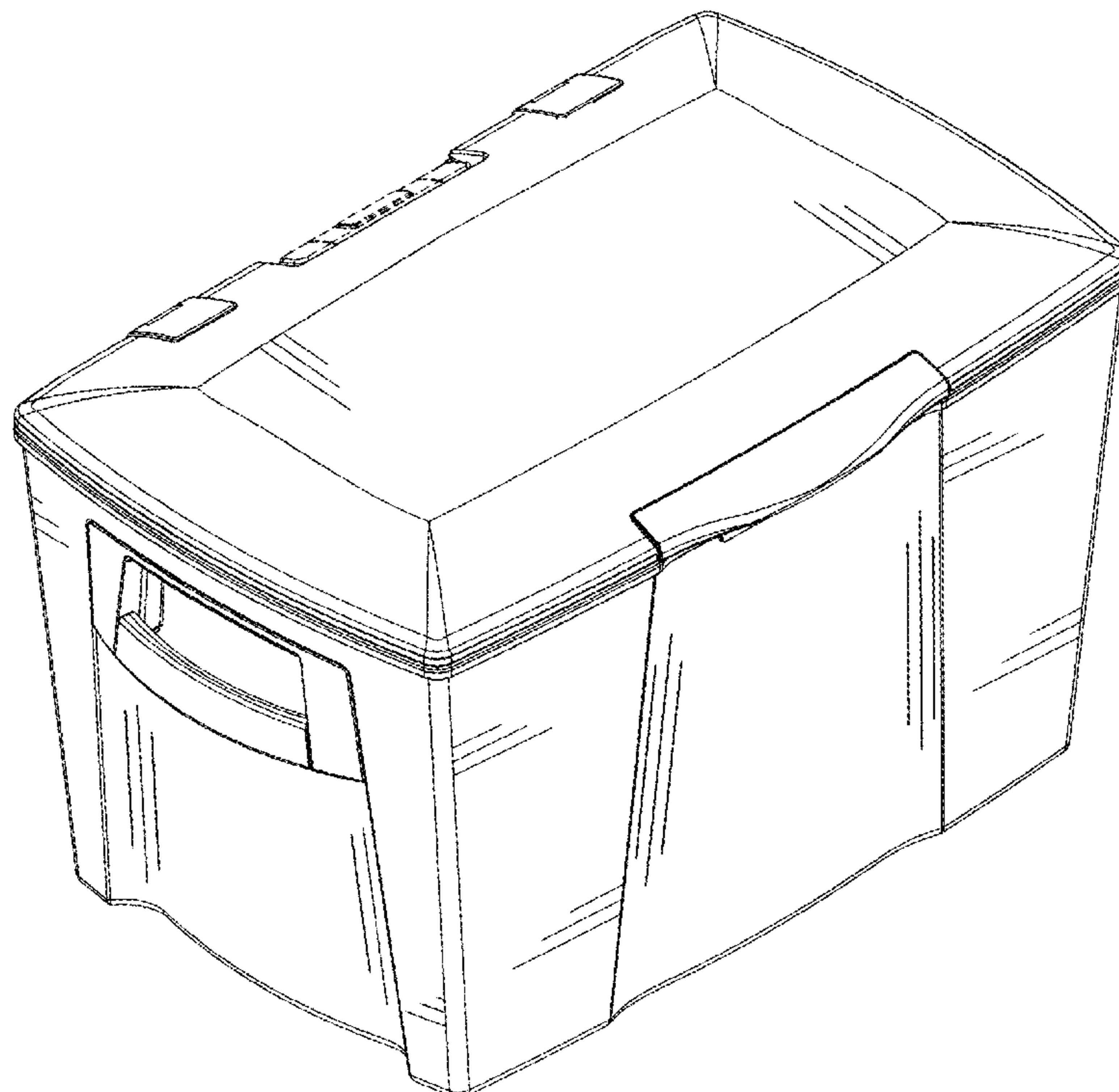
(57) **CLAIM**

The ornamental design for a cooler, as shown and described.

**DESCRIPTION**

FIG. 1 is a top left isometric view of the cooler of the present invention;  
FIG. 2 is a top view thereof;  
FIG. 3 is a front view thereof;  
FIG. 4 is a right side view thereof;  
FIG. 5 is a left side view thereof;  
FIG. 6 is a rear side view thereof;  
FIG. 7 is a bottom view thereof;  
FIG. 8 is a bottom left isometric view thereof;  
FIG. 9 is a bottom right isometric view thereof; and,  
FIG. 10 is a top right perspective view thereof.  
The portions of the cooler illustrated in broken lines form no part of the claimed subject matter.

**1 Claim, 10 Drawing Sheets**



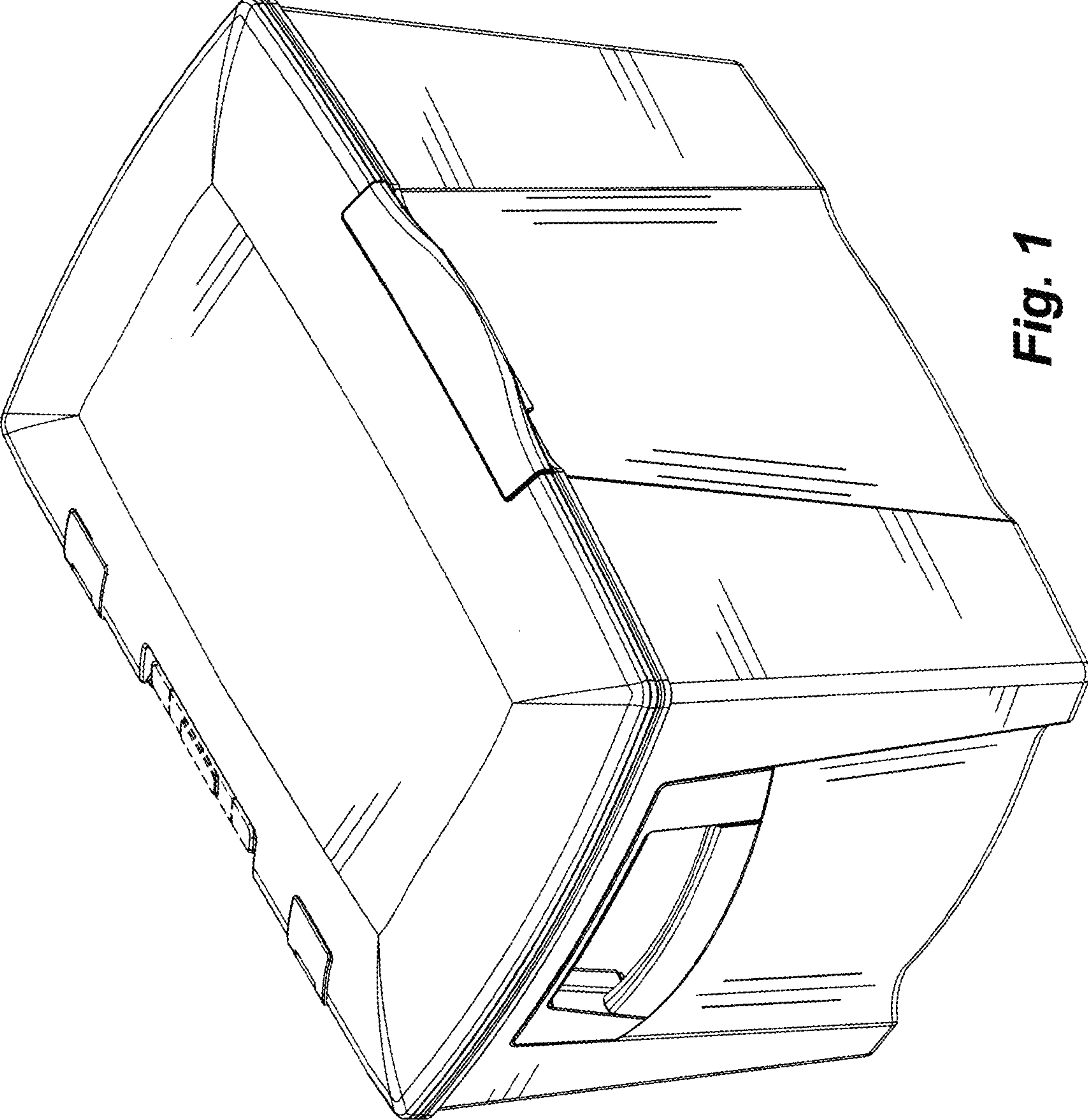
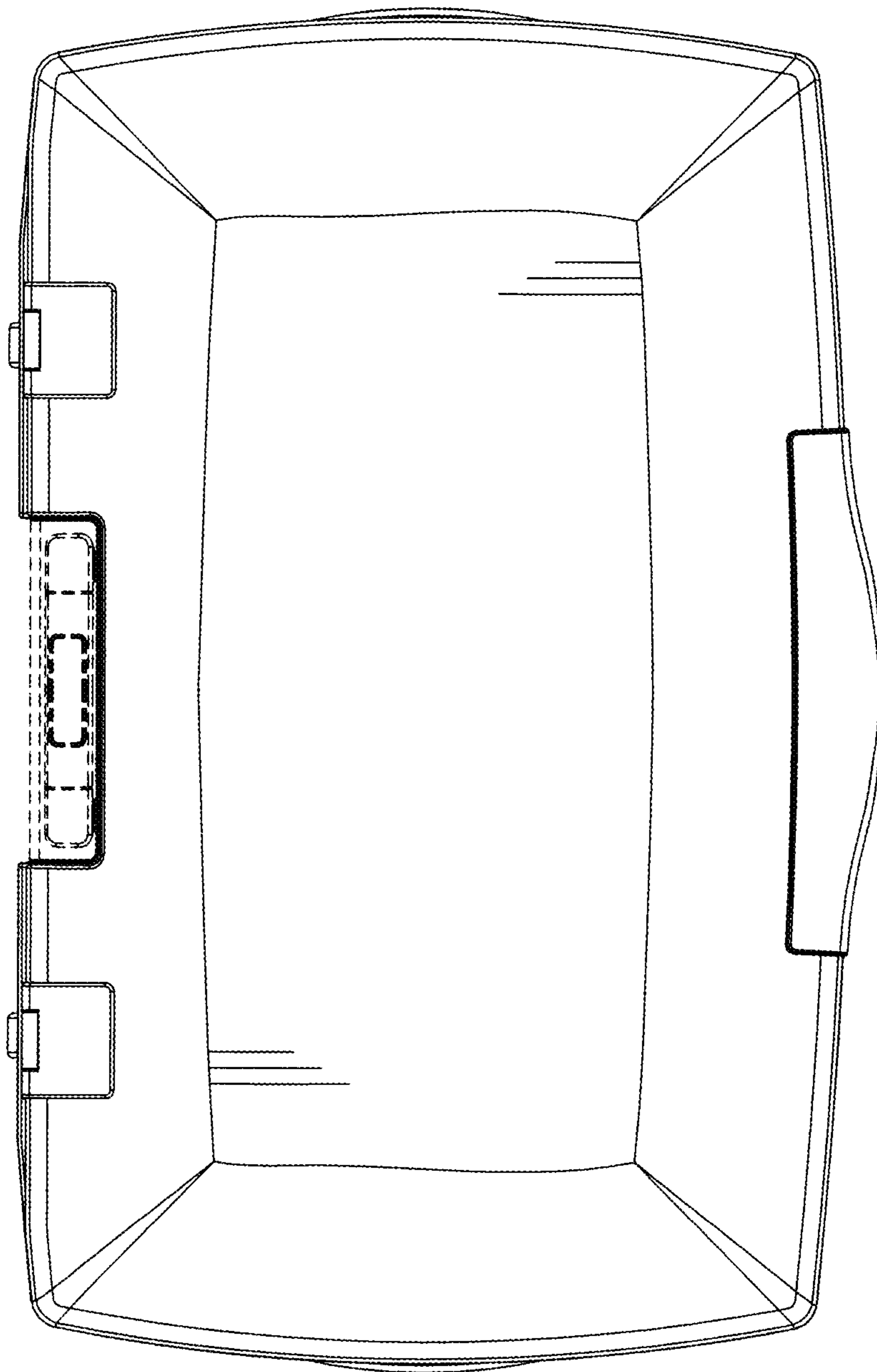
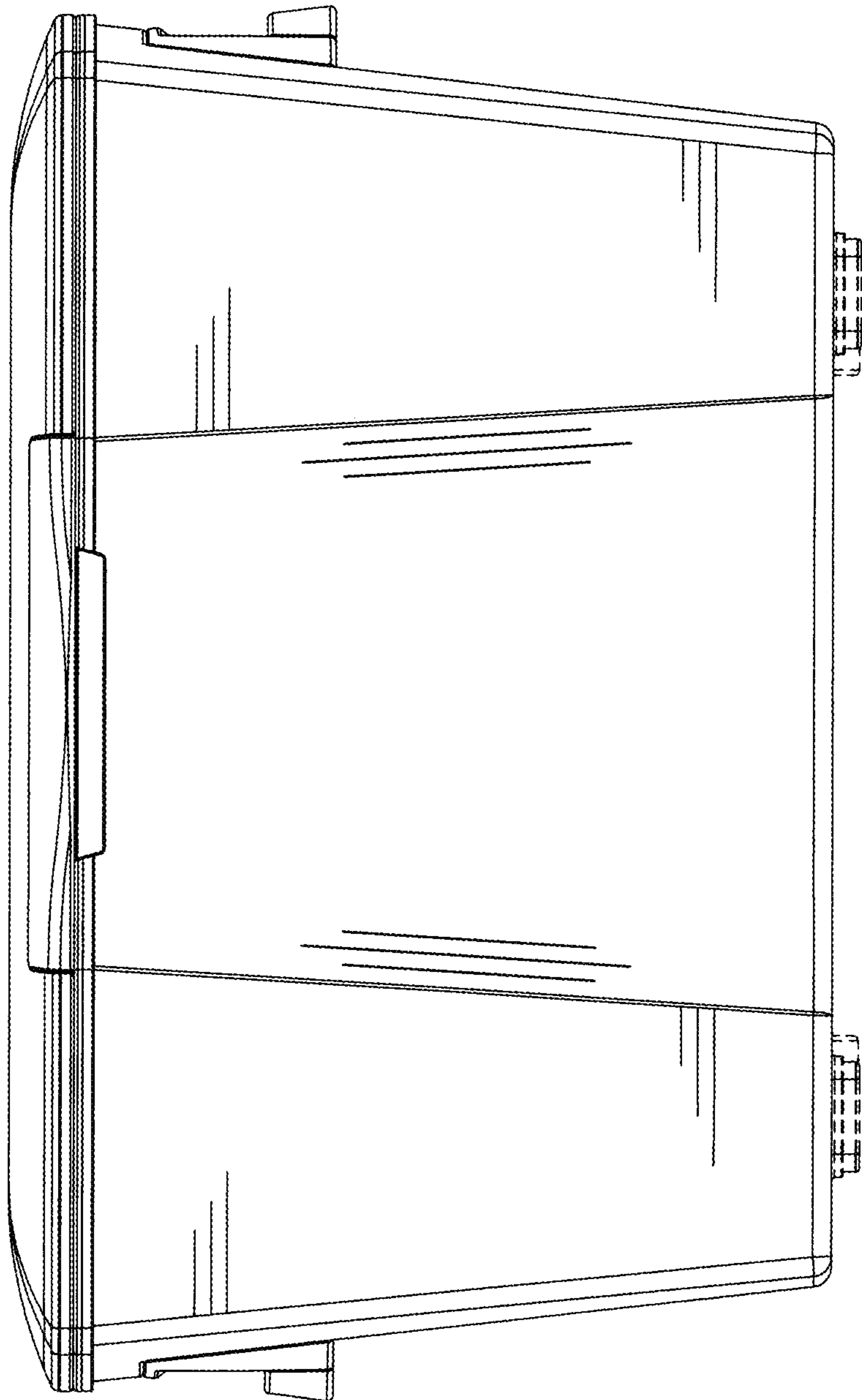


Fig. 1

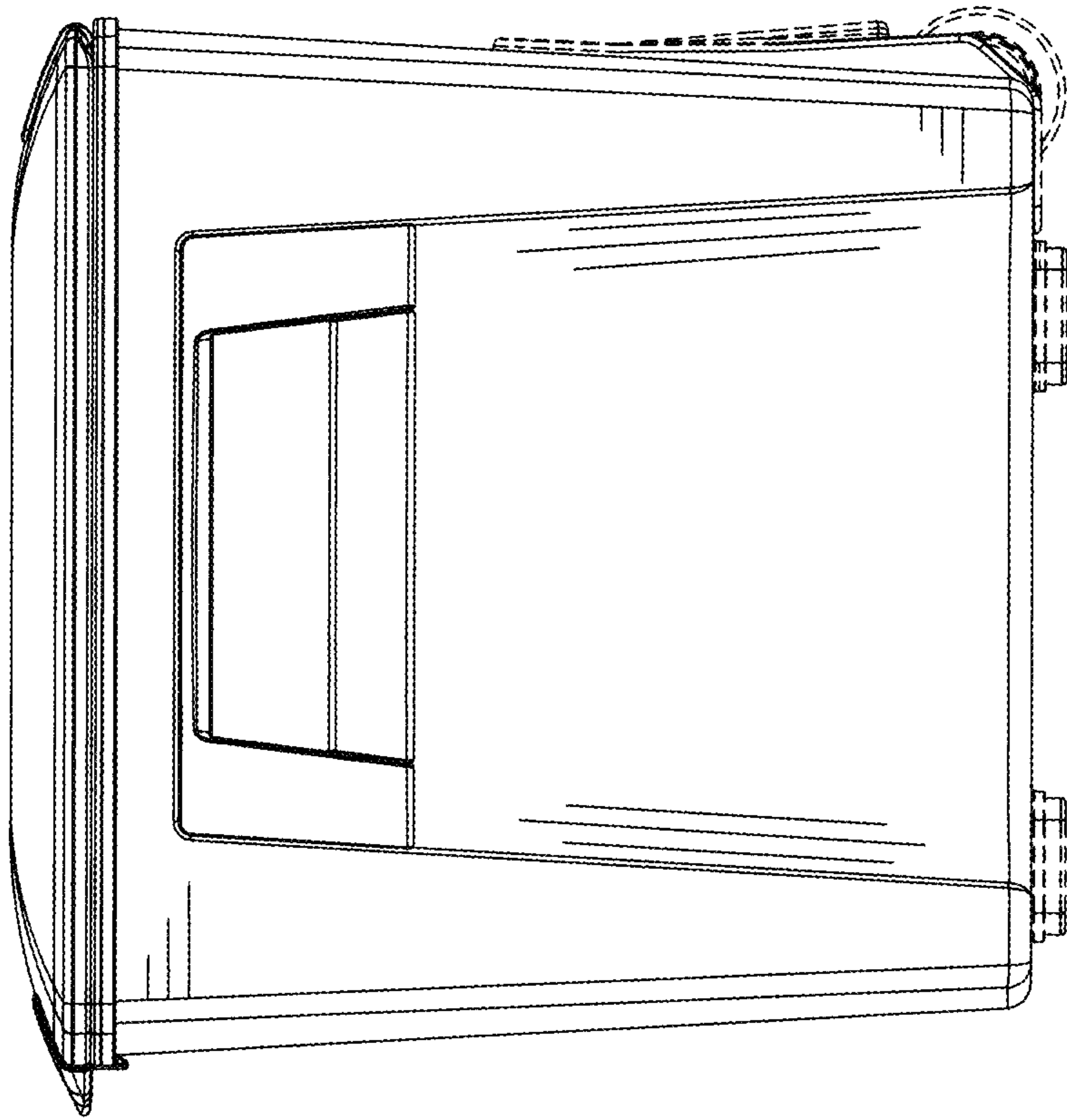


**Fig. 2**



**Fig. 3**





**Fig. 4**

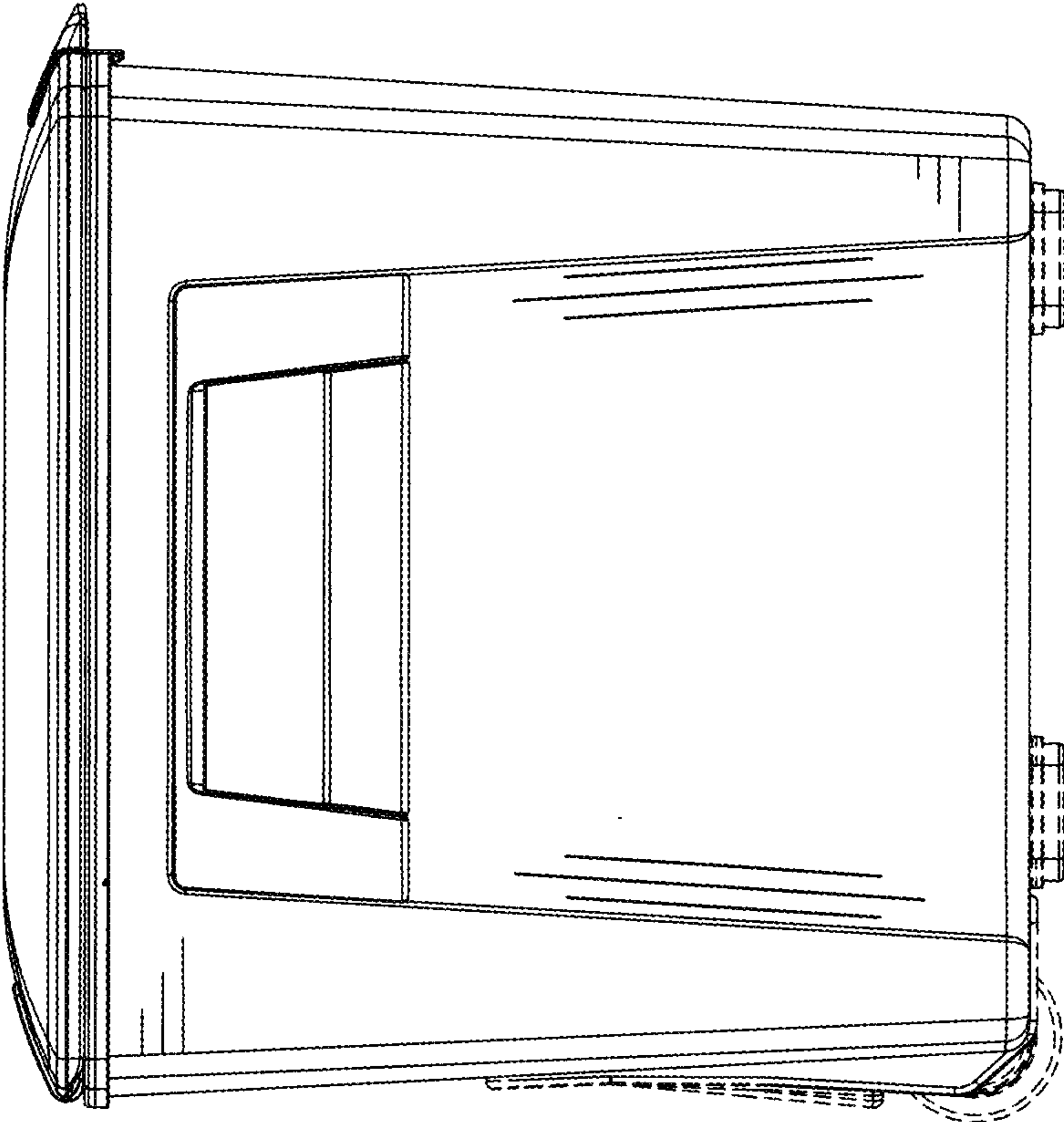


Fig. 5

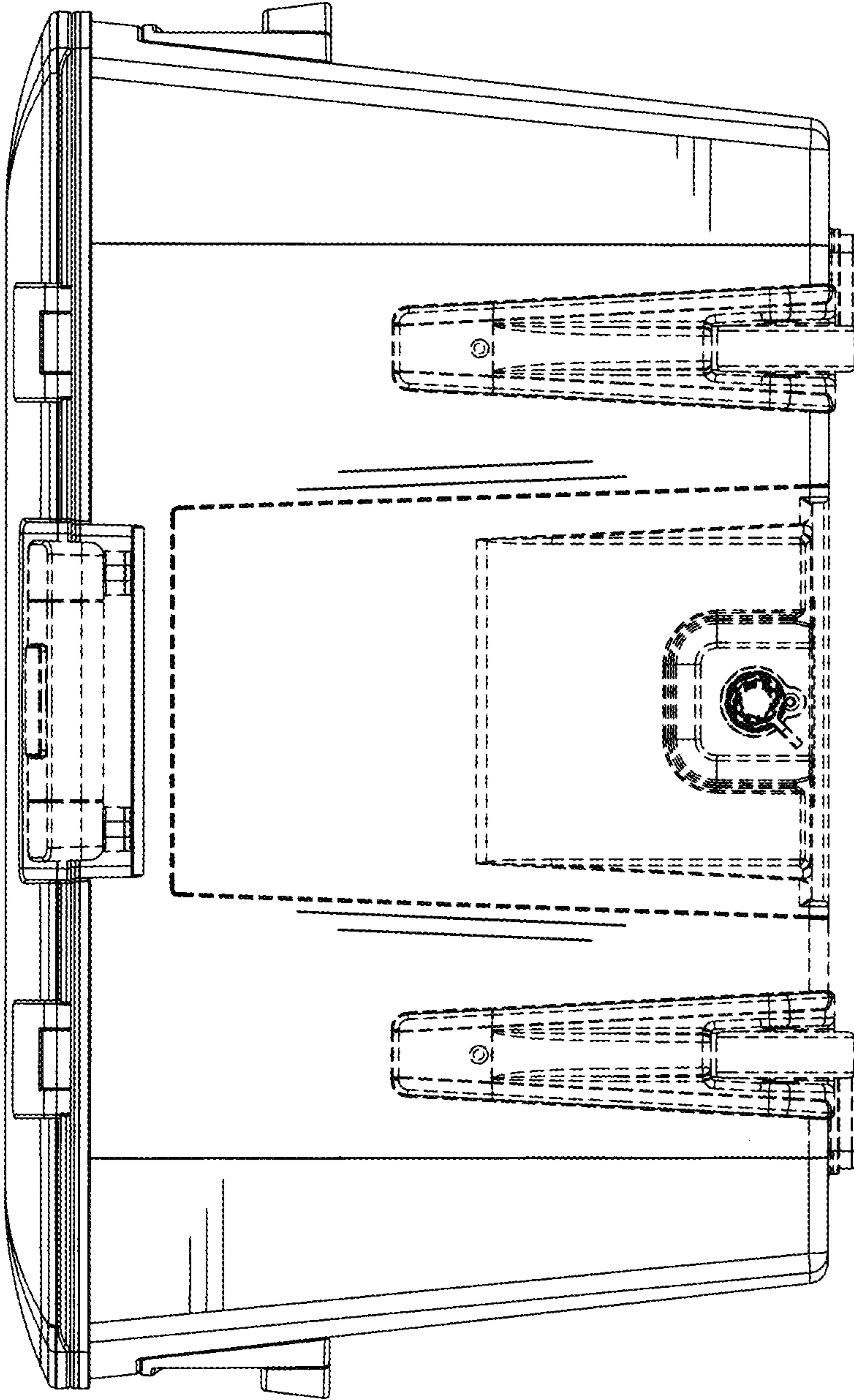


Fig. 6

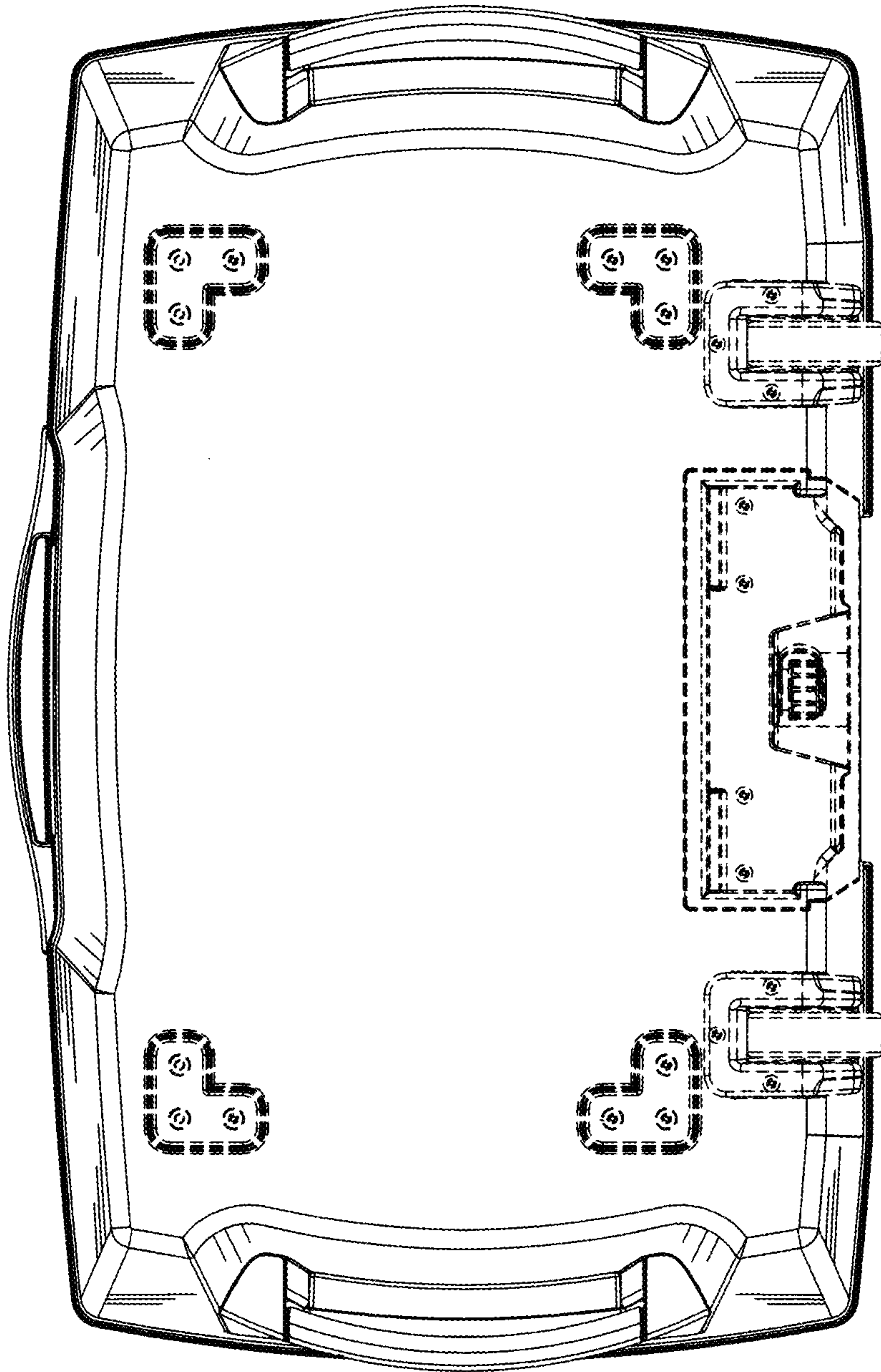


Fig. 7



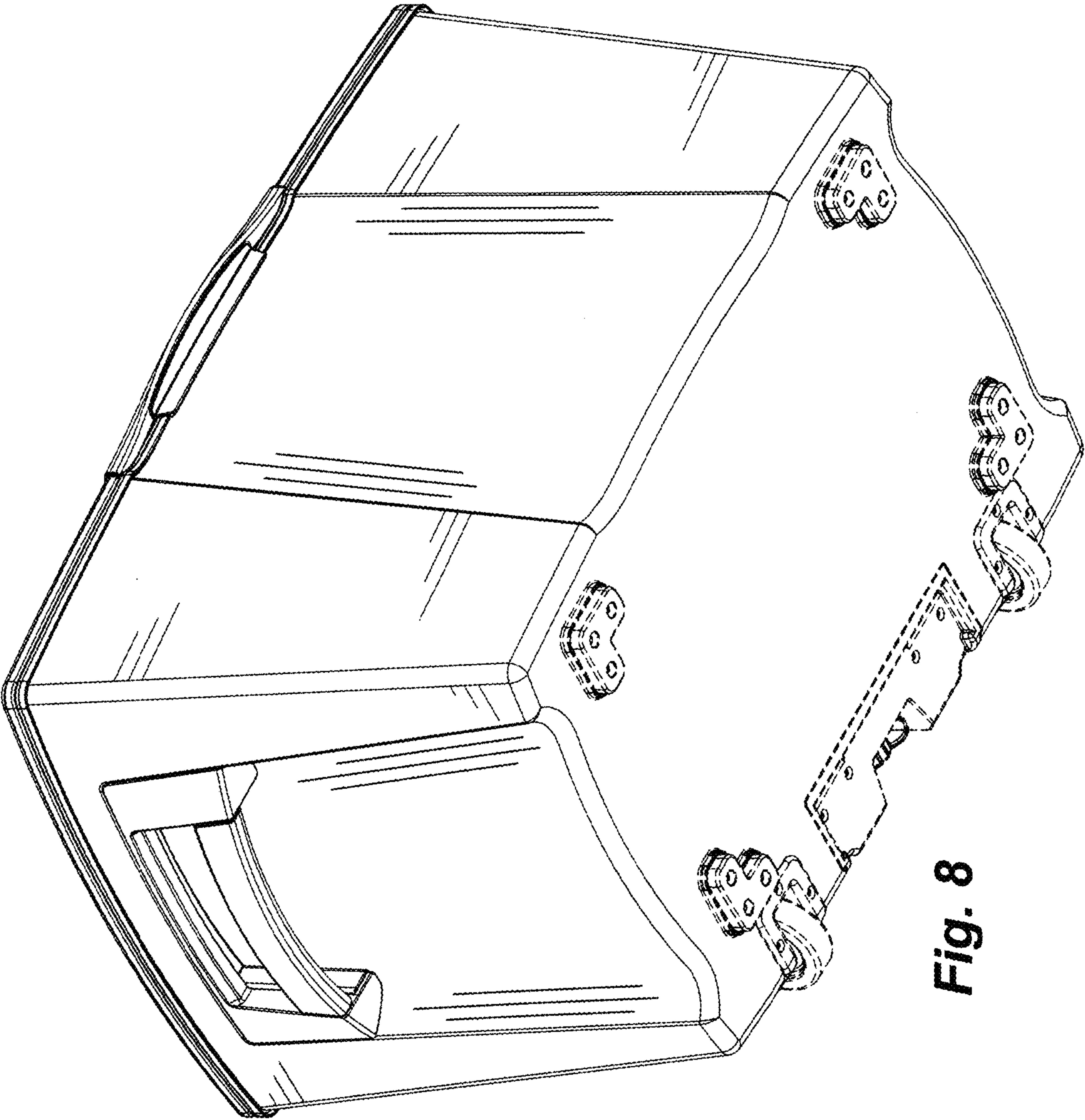


Fig. 8

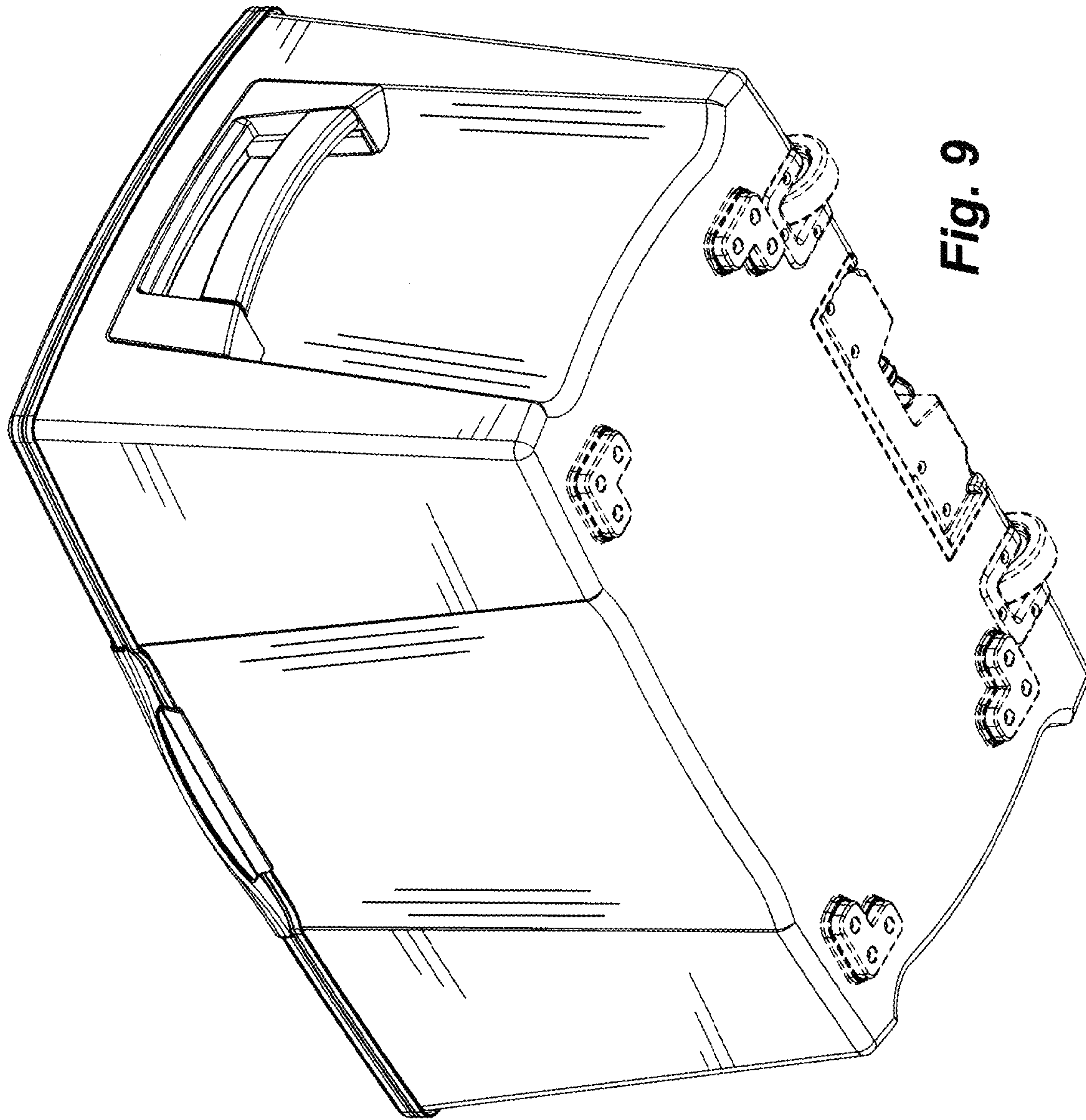
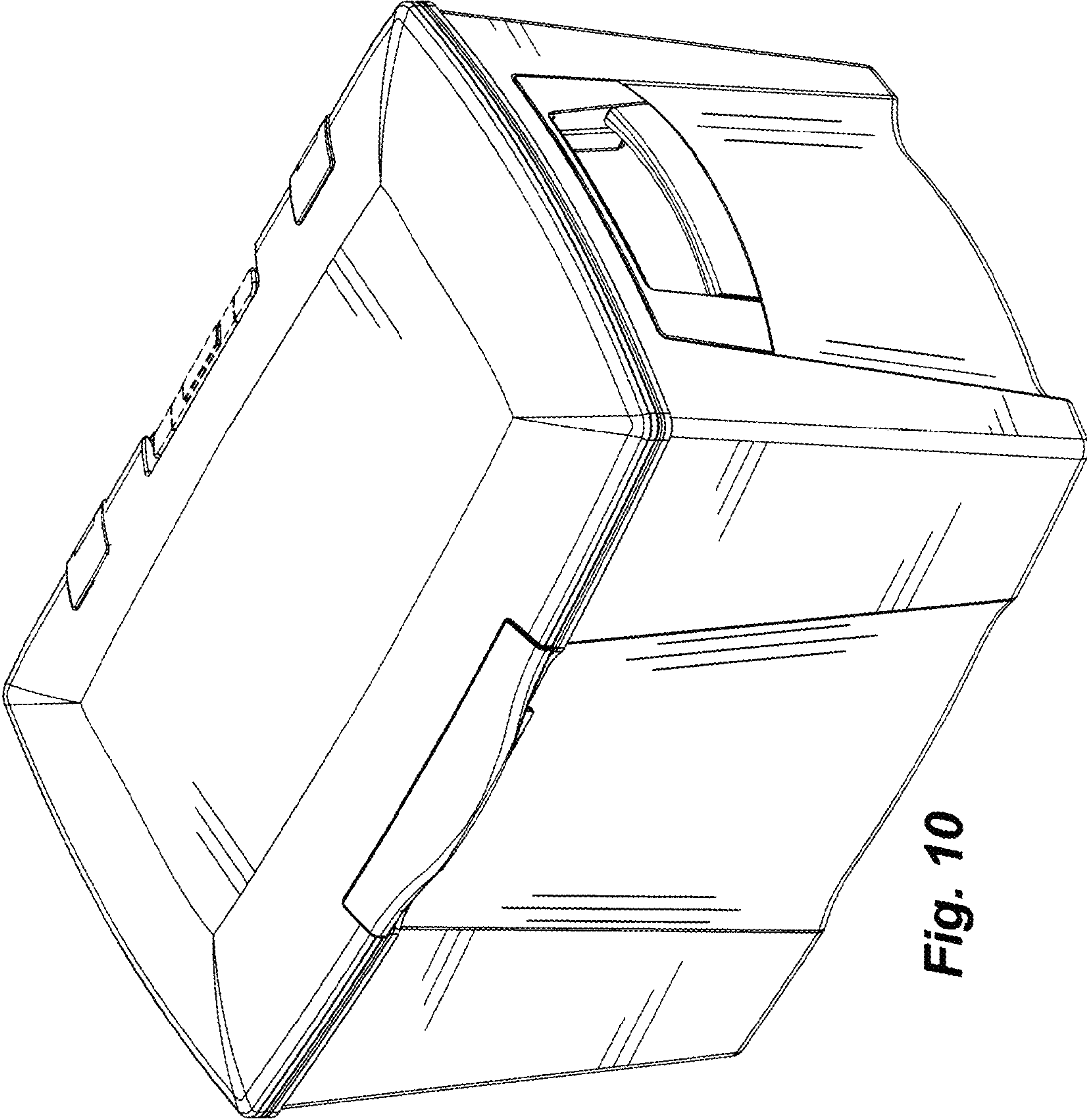


Fig. 9



**Fig. 10**