



US00D784088S

(12) **United States Design Patent** (10) **Patent No.:** **US D784,088 S**
Goodman et al. (45) **Date of Patent:** **** Apr. 18, 2017**

(54) **FRUIT BOWL**

(71) Applicant: **Spectrum Diversified Designs, Inc.**,
 Streetsboro, OH (US)

(72) Inventors: **Sheldon H. Goodman**, Solon, OH
 (US); **Phaysouk Xayoiphonh**, Akron,
 OH (US)

(73) Assignee: **Spectrum Diversified Designs, LLC**,
 Streetsboro, OH (US)

(**) Term: **15 Years**

(21) Appl. No.: **29/543,786**

(22) Filed: **Oct. 28, 2015**

(51) **LOC (10) Cl.** **07-06**

(52) **U.S. Cl.**
 USPC **D7/601**

(58) **Field of Classification Search**
 USPC .. D7/601, 704, 600.1–600.4, 584, 586, 587;
 D6/676.5, 677.5, 678, 678.4, 680.3;
 D3/304, 306
 CPC A47F 7/0071; A47F 7/02; A47F 7/022;
 A47F 7/00; A47F 5/00; A47F 5/08; A47F
 5/01; A47L 19/04; F16M 11/10; F16M
 13/00

See application file for complete search history.

(56) **References Cited**

U.S. PATENT DOCUMENTS

D569,691 S *	5/2008	Goodman	D7/601
D620,711 S *	8/2010	Hertaus	D3/306
D670,971 S *	11/2012	Goodman	D7/601
D697,374 S *	1/2014	Goodman	D7/601
D698,204 S *	1/2014	Goodman	D7/601

* cited by examiner

Primary Examiner — Terry Wallace

(74) *Attorney, Agent, or Firm* — Benesch, Friedlander,
 Coplan & Aronoff LLP

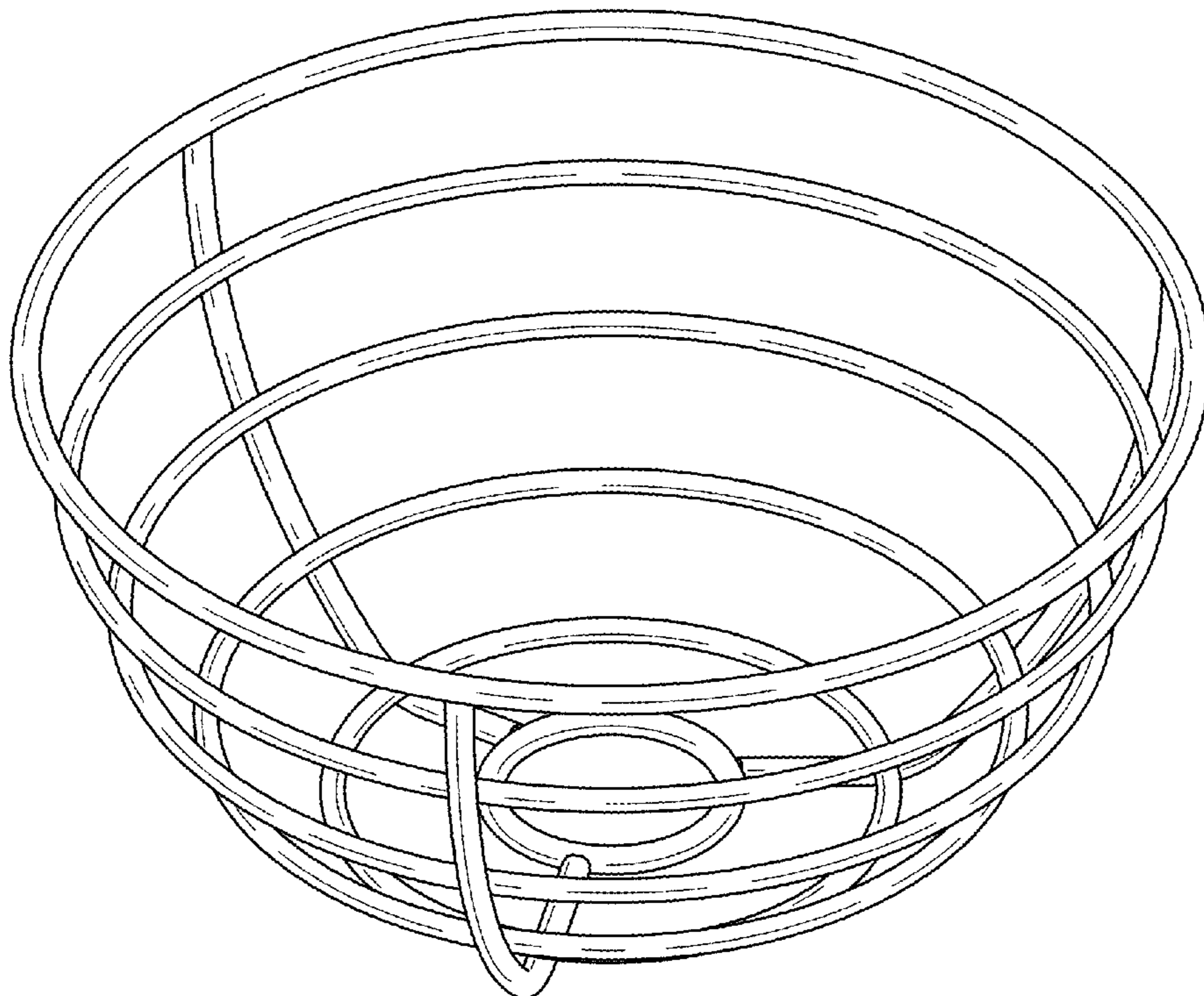
(57) **CLAIM**

The ornamental design for a fruit bowl, as shown.

DESCRIPTION

FIG. 1 is a perspective view of a fruit bowl showing a new design;
 FIG. 2 is a side view of the fruit bowl of FIG. 1;
 FIG. 3 is a front view of the fruit bowl of FIG. 1;
 FIG. 4 is a rear view of the fruit bowl of FIG. 1;
 FIG. 5 is a top view of the fruit bowl of FIG. 1; and,
 FIG. 6 is a bottom view of the fruit bowl of FIG. 1.

1 Claim, 6 Drawing Sheets



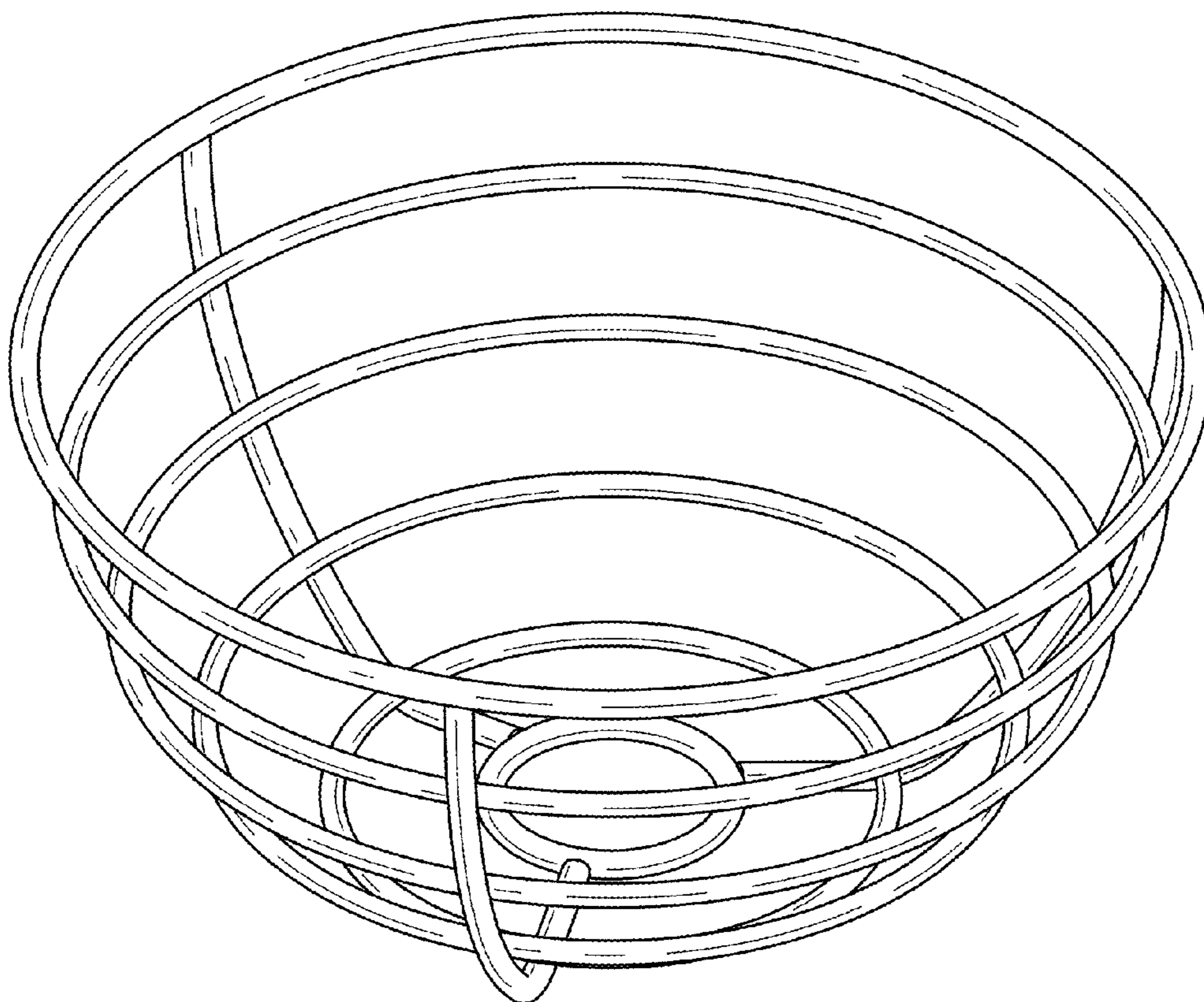


FIG. 1

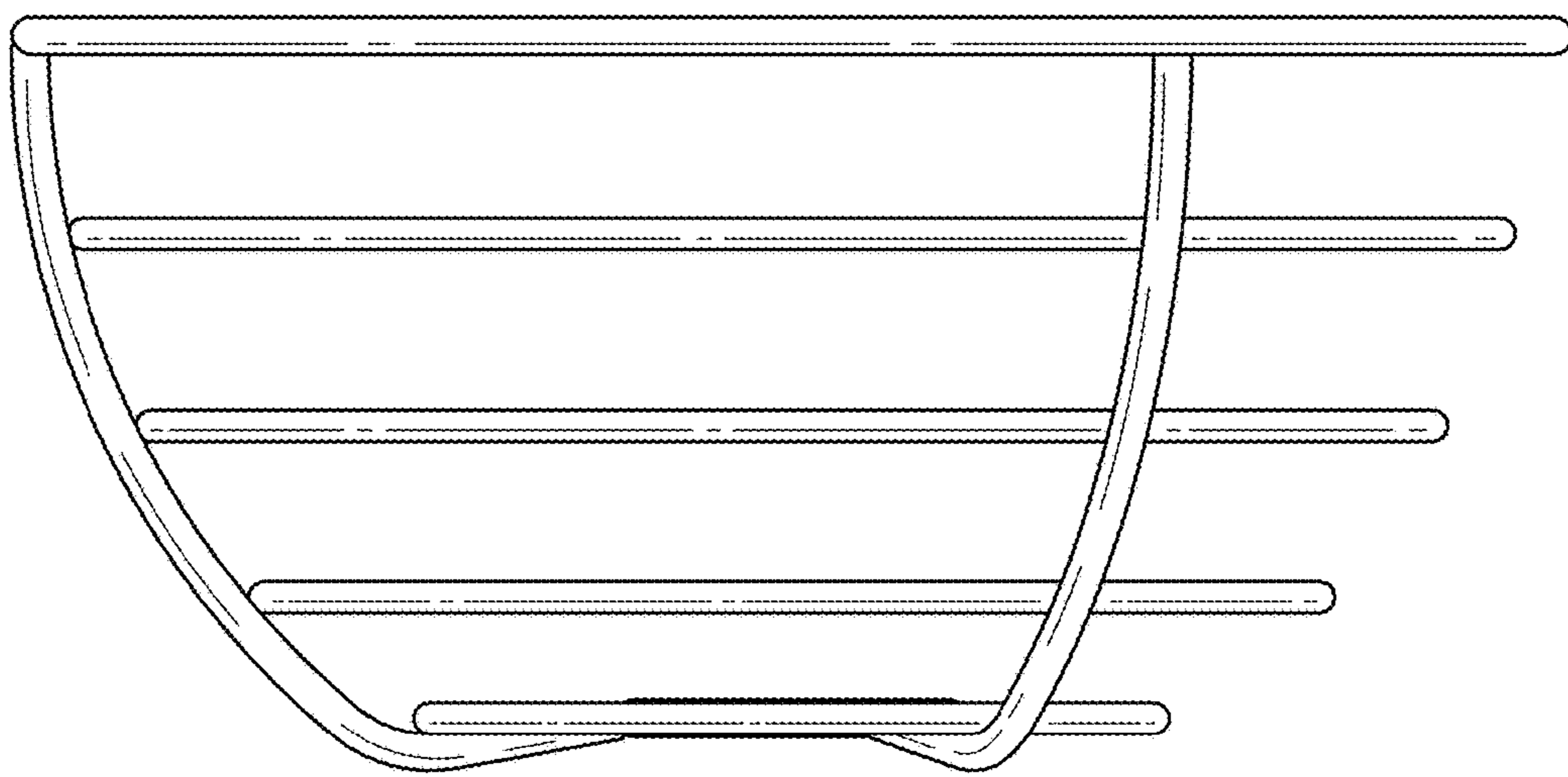


FIG. 2

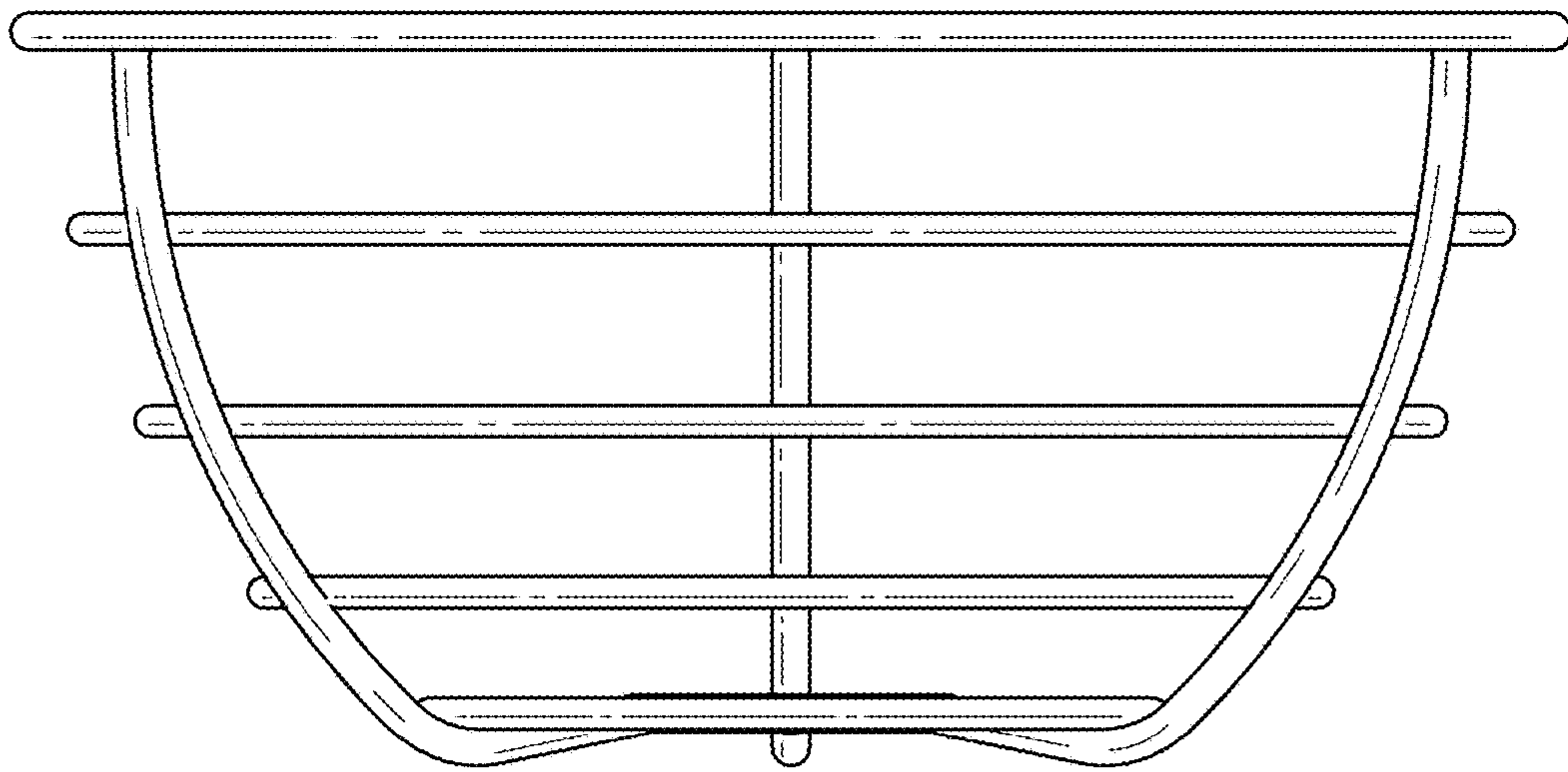


FIG. 3

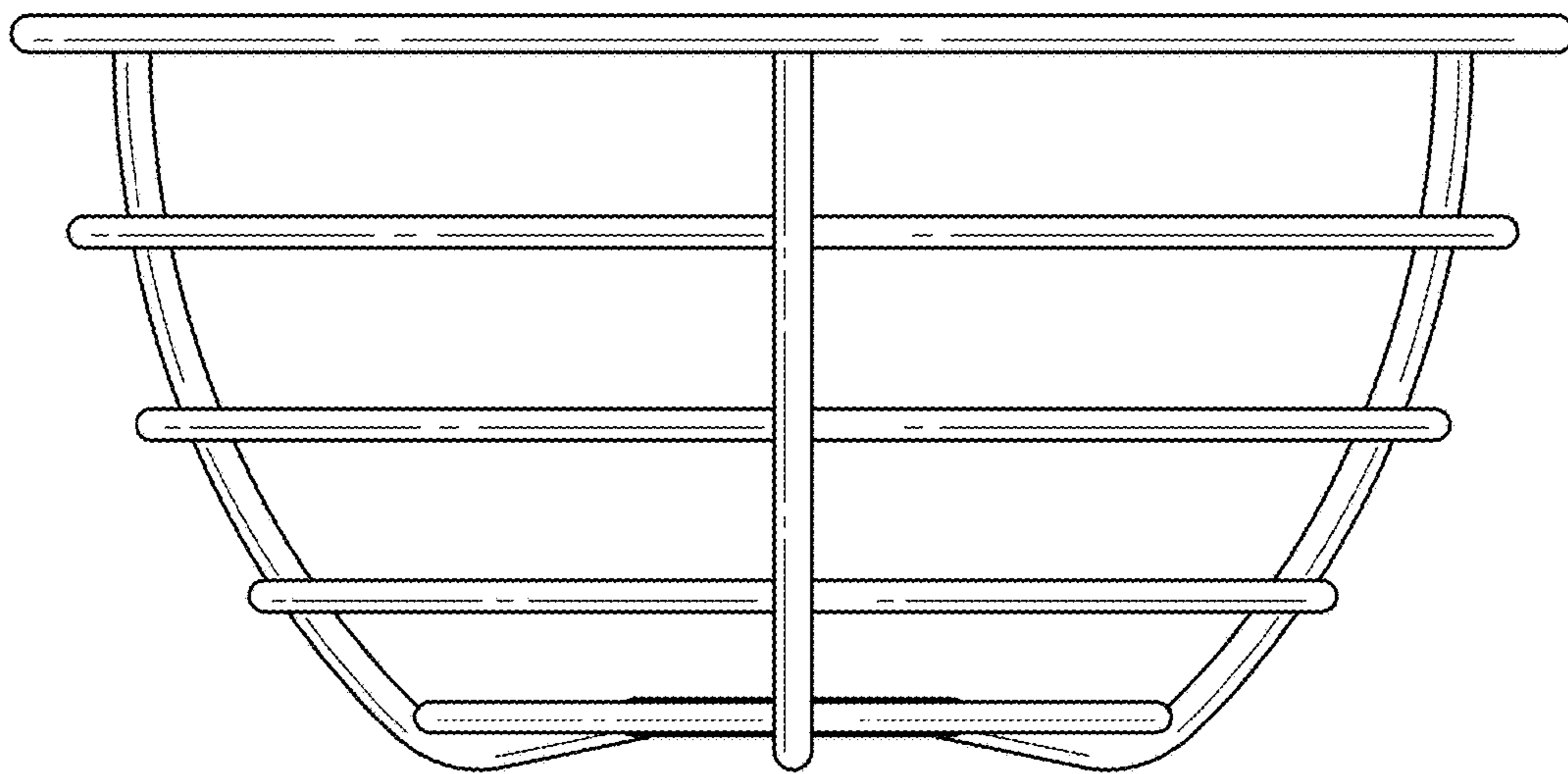


FIG. 4

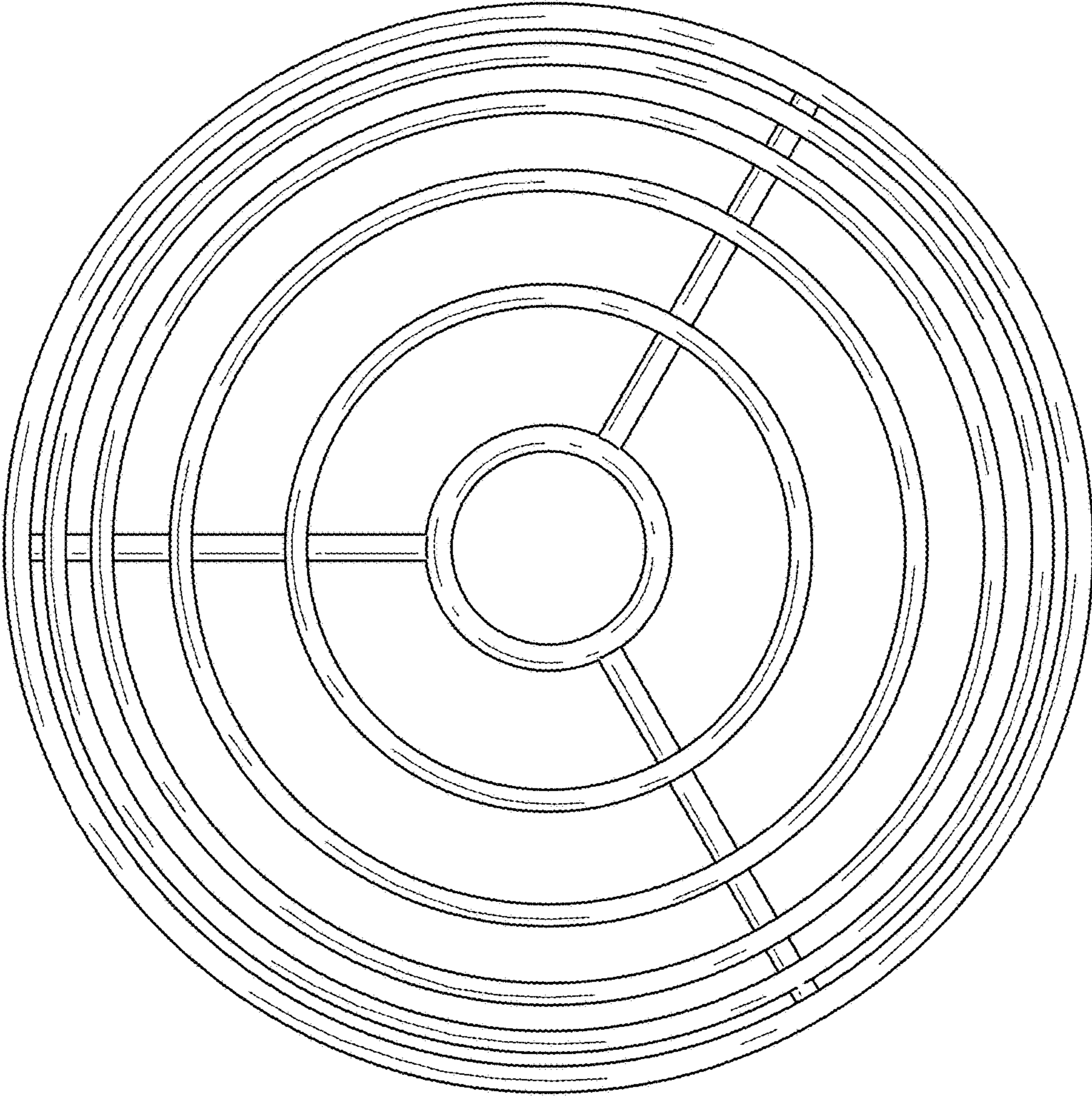


FIG. 5

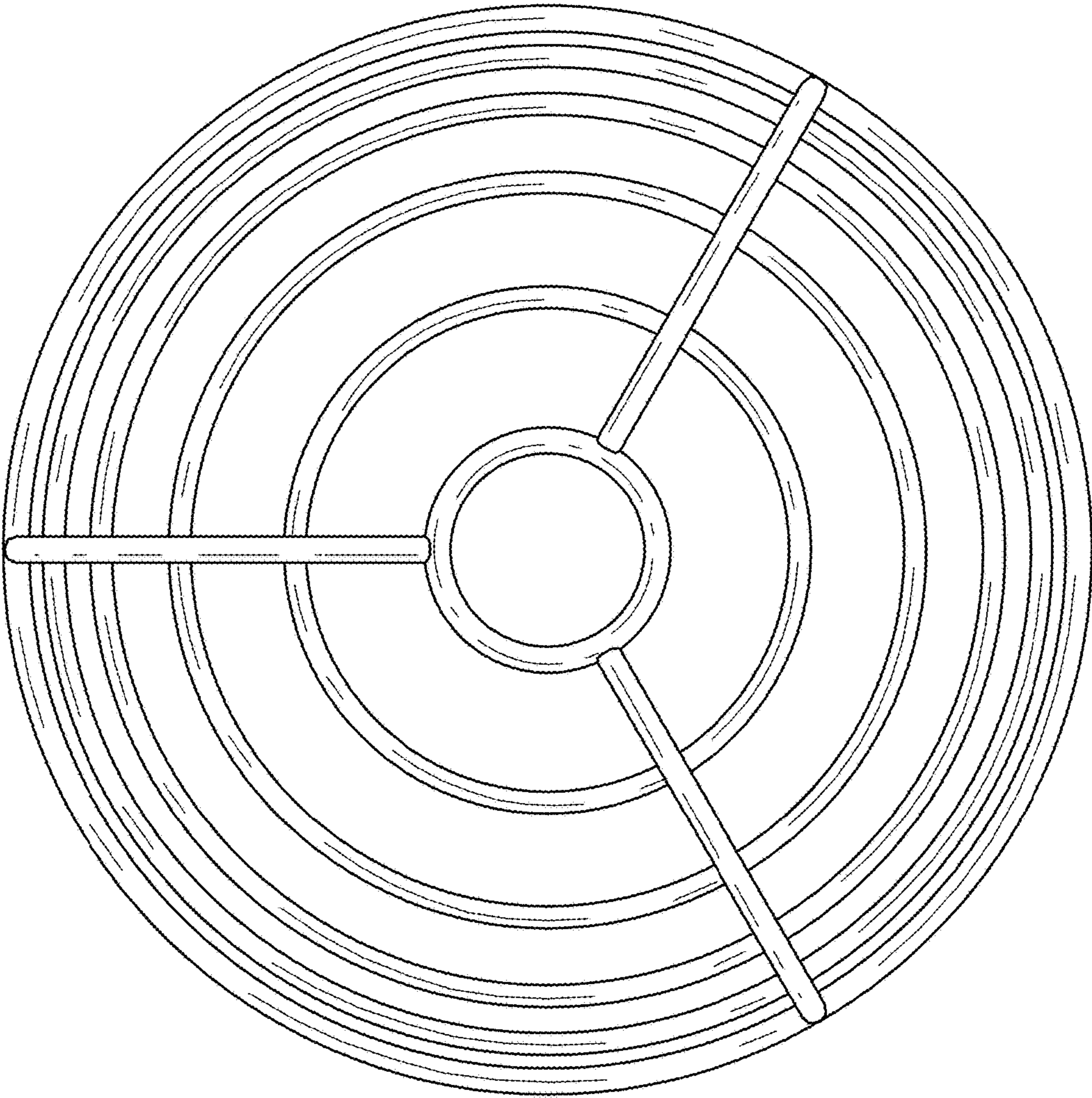


FIG. 6