



US00D784084S

(12) **United States Design Patent** (10) **Patent No.:** **US D784,084 S**
Bartlett et al. (45) **Date of Patent:** **** Apr. 18, 2017**

(54) **WATER BOTTLE CAP DESIGN**
(71) Applicant: **Overton Enterprises, LLC**, Austin, TX (US)
(72) Inventors: **Peter C. Bartlett**, Austin, TX (US);
Redza M. Shah, Austin, TX (US);
Kimberley J. Overton, Austin, TX (US)
(73) Assignee: **Overton Enterprises, LLC**, Austin, TX (US)

6,045,833 A * 4/2000 Landau B65D 51/00
426/106
D488,560 S * 4/2004 Renz D24/196
D489,480 S * 5/2004 Angeletta D28/7
D508,202 S * 8/2005 Dobson D9/447
D582,767 S * 12/2008 Batton D9/447
D584,151 S * 1/2009 Murphy D9/447
D596,487 S * 7/2009 Batton D9/447
D637,490 S * 5/2011 McKinney D9/447
D639,969 S * 6/2011 Pukall D24/196
D656,820 S * 4/2012 Willows D9/447

(Continued)

(**) Term: **15 Years**
(21) Appl. No.: **29/535,047**
(22) Filed: **Aug. 3, 2015**
(51) **LOC (10) Cl.** **07-01**
(52) **U.S. Cl.**
USPC **D7/511**
(58) **Field of Classification Search**
USPC D7/509, 510, 511, 523, 538, 543;
220/200, 705-710, 592.16, 592.17;
215/396-400; D23/209; 210/203, 205,
210/206; D9/447; D24/194, 197
CPC A47G 19/22; A47G 19/2205; A47G 19/2211;
A47G 19/2216; A47G 19/2272; A47G
19/2288; A45F 3/16; A47J 43/27; B65D
41/04; B65D 41/56; B65D 43/02; B65D
47/08
See application file for complete search history.

(56) **References Cited**
U.S. PATENT DOCUMENTS

D315,245 S * 3/1991 Envall D3/202
D350,672 S * 9/1994 Egger D7/510
D358,964 S * 6/1995 Foster D12/411
5,680,965 A * 10/1997 Beck B65D 47/243
222/153.06
D391,448 S * 3/1998 Winer D7/510

OTHER PUBLICATIONS

http://szsportbottle.en.alibaba.com/product/60184735621-800498847/Soft_Flask_TPU_Foodgrade_Material_OEM_Water_Bottle_with_Silicone_Nozzle_for_Running.html.
<https://spibelt.com/shop/spi-h2o/spi-h2o-companion/>.

Primary Examiner — Daniel Bui
Assistant Examiner — Andrew Kerr
(74) Attorney, Agent, or Firm — Conley Rose PC

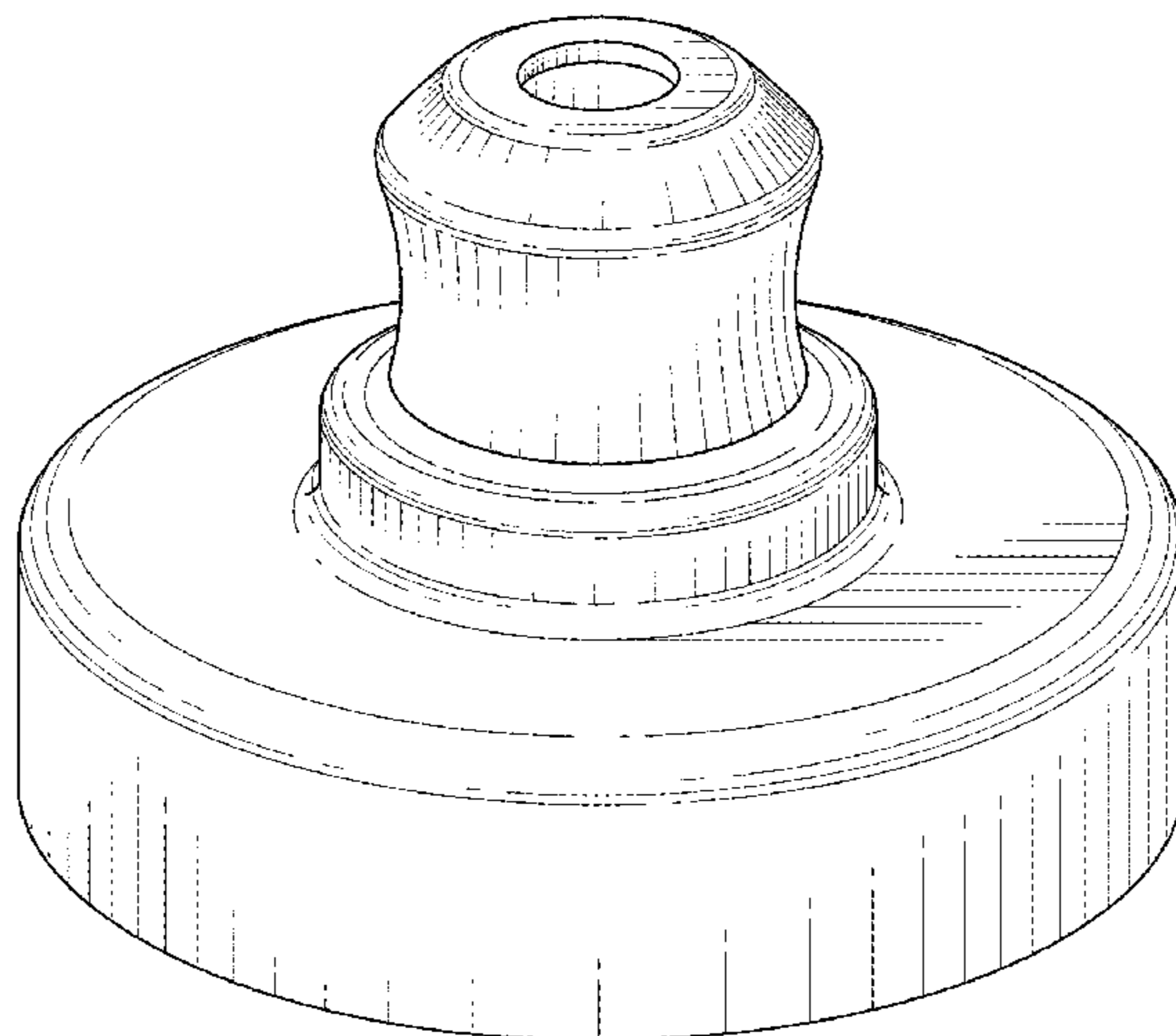
(57) **CLAIM**

The ornamental design for a water bottle cap, as shown and described.

DESCRIPTION

FIG. 1 is a perspective view of a water bottle cap showing our new design;
FIG. 2 is a side elevation view thereof;
FIG. 3 is a top plan view thereof;
FIG. 4 is a bottom plan view thereof; and,
FIG. 5 is a perspective view thereof, in use condition.
The broken line in the figure drawings is included for the purpose of illustrating unclaimed environment and forms no part of the claimed design.
A side-elevation view opposite the side-elevation view shown is omitted as such would be identical to the side-elevation view.

1 Claim, 5 Drawing Sheets



(56)

References Cited

U.S. PATENT DOCUMENTS

D719,827	S *	12/2014	Duran	D9/447
D749,416	S *	2/2016	Herbst	D9/447
D751,395	S *	3/2016	Willows	D9/447
D752,234	S *	3/2016	Moore	D24/194
D752,434	S *	3/2016	Willows	D9/447
D752,435	S *	3/2016	Willows	D9/447
D761,648	S *	7/2016	Karl, IV	D9/447
D762,473	S *	8/2016	Willows	D9/447
D763,685	S *	8/2016	Arriaga	D9/436
2003/0093121	A1 *	5/2003	Randolph	A61J 11/0035 606/236
2005/0092785	A1 *	5/2005	Hearld	B65D 47/243 222/525
2005/0258201	A1 *	11/2005	Willows	B65D 25/22 224/148.4
2009/0302261	A1 *	12/2009	Skillern	A45F 3/16 251/337
2012/0168441	A1 *	7/2012	Lane	B65D 47/242 220/212
2014/0124469	A1 *	5/2014	Richard	A61J 11/02 215/11.5
2015/0232318	A1 *	8/2015	Meldeau	B67D 3/0019 222/189.06
2016/0185489	A1 *	6/2016	Garcia	B65D 47/0842 215/227
2016/0200486	A1 *	7/2016	Meyers	A47G 19/2266 215/229

* cited by examiner

FIG. 1

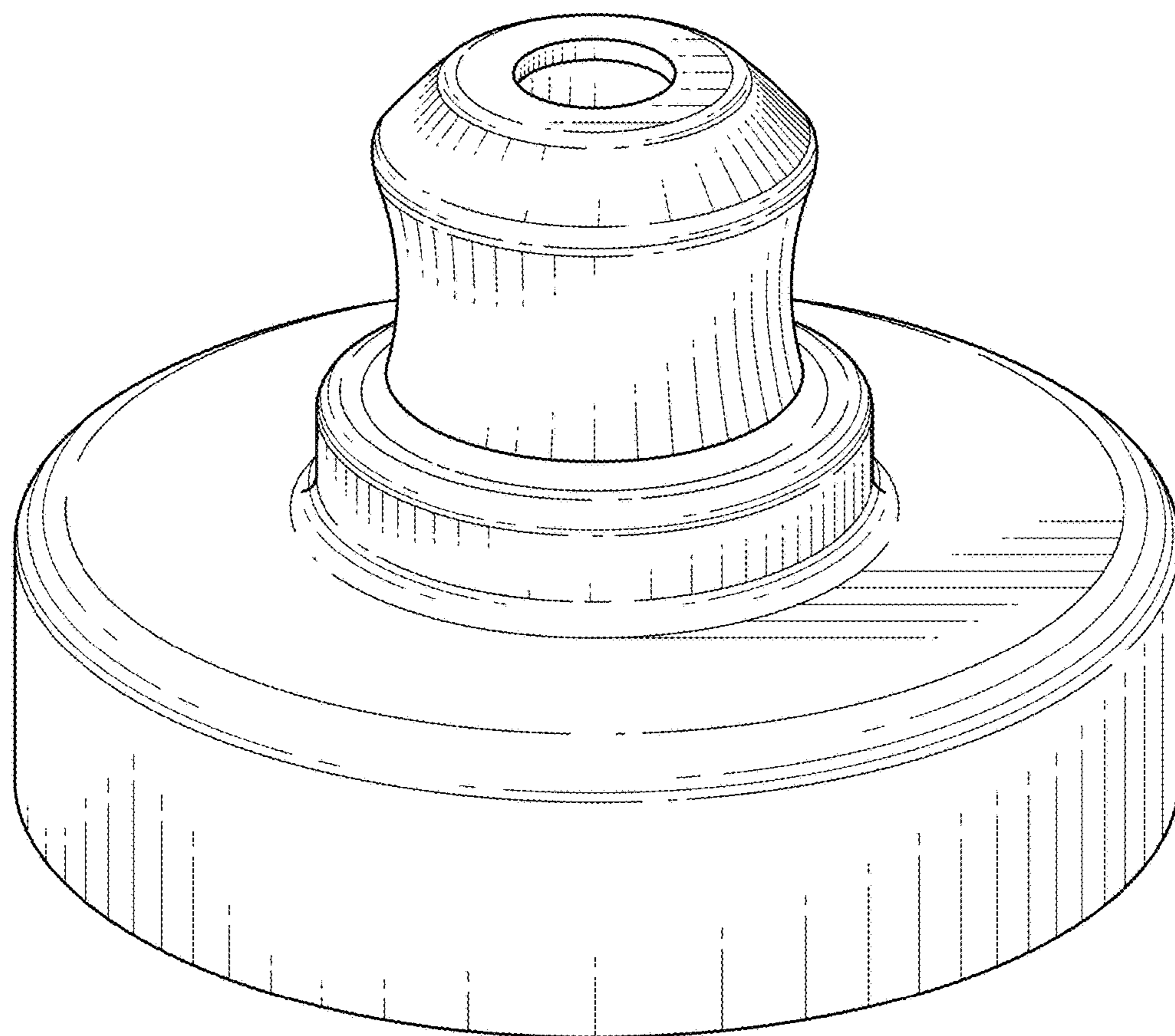


FIG. 2

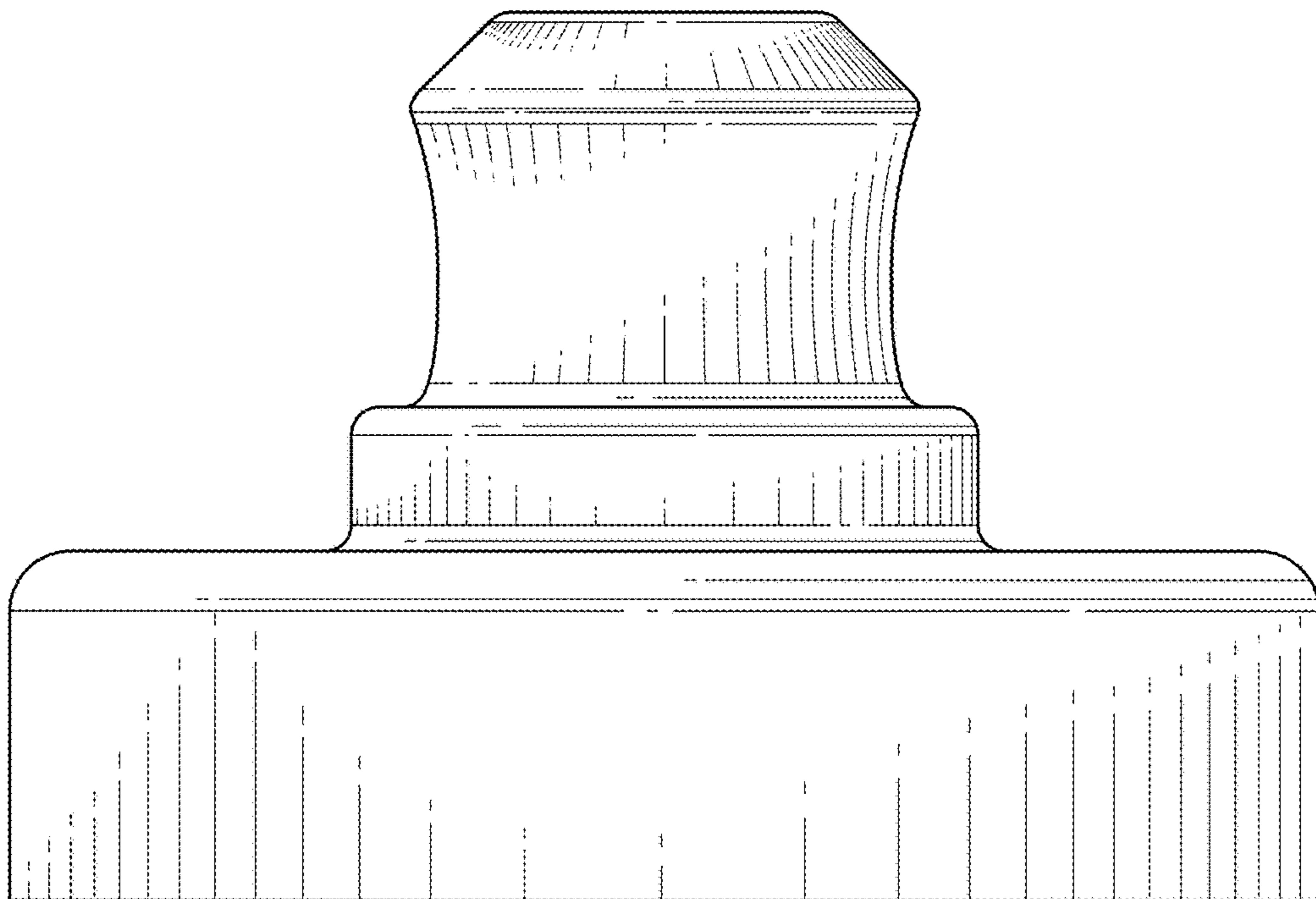


FIG. 3



FIG. 4

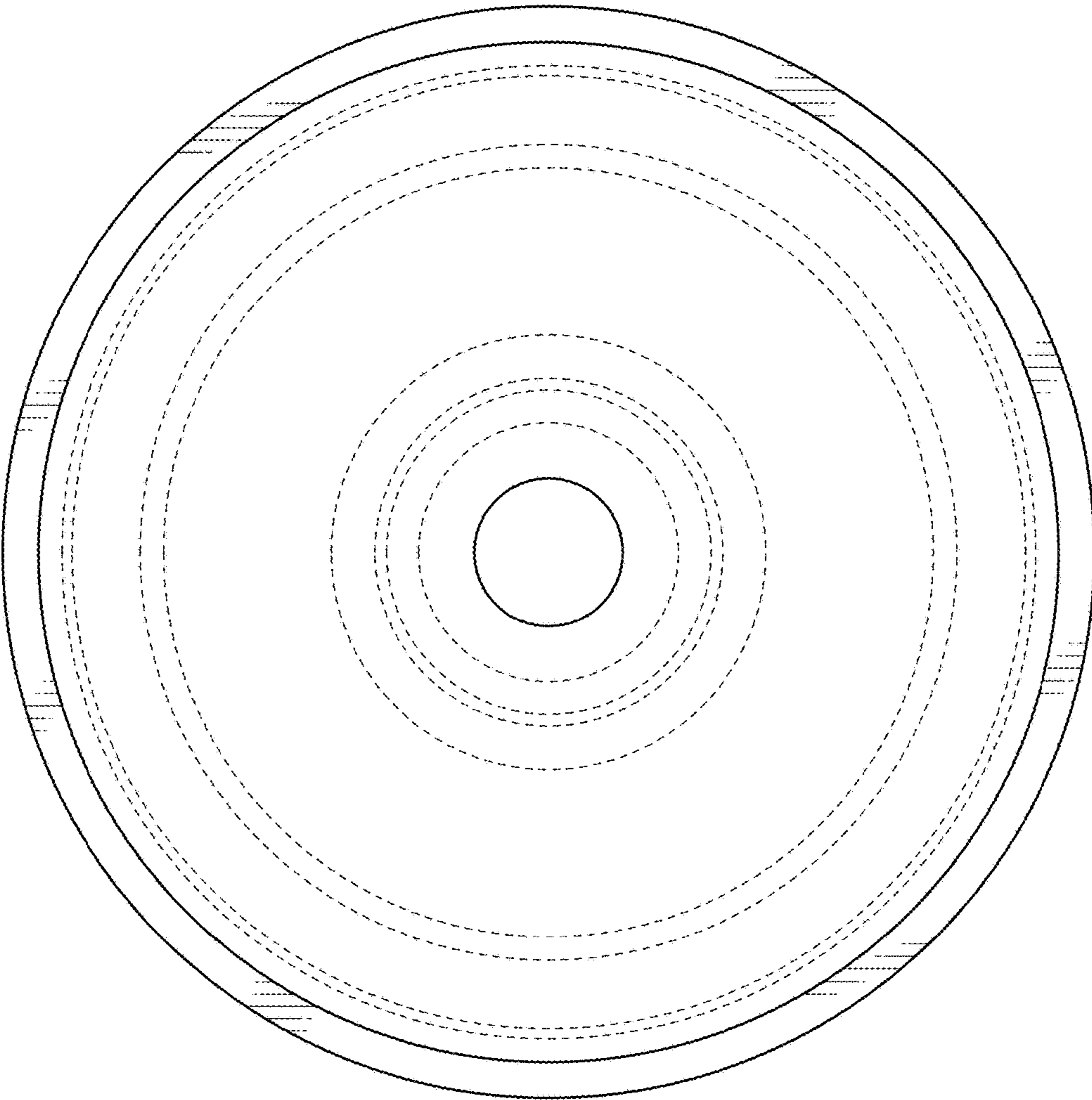


FIG. 5

