



US00D784083S

(12) **United States Design Patent**
Sawyer et al.

(10) **Patent No.:** **US D784,083 S**
(45) **Date of Patent:** **** Apr. 18, 2017**

(54) **BOTTLE**

(71) Applicants: **Duane Sawyer**, York, PA (US); **Bob Holmes**, York, PA (US)

(72) Inventors: **Duane Sawyer**, York, PA (US); **Bob Holmes**, York, PA (US)

(**) Term: **15 Years**

(21) Appl. No.: **29/540,727**

(22) Filed: **Sep. 28, 2015**

(51) **LOC (10) Cl.** **07-01**

(52) **U.S. Cl.**
USPC **D7/510; D7/511; D7/532; D9/530;**
D9/502; D9/503

(58) **Field of Classification Search**

USPC D7/500, 501, 505, 507, 509, 510, 511,
D7/512, 523, 532, 534, 608, 607, 550.1,
D7/553.1, 553.2, 554.3, 555, 669, 667,
D7/529, 530; D9/414, 430, 431, 740,
D9/759, 756, 440, 551, 556, 559, 562,
D9/569, 504, 503, 447, 523, 516, 541,
D9/530, 563, 570, 565, 557, 552;
D3/203.3, 203.2, 205, 283, 202, 288, 903,
D3/901; D28/77, 83, 4; D19/77, 92, 81,
D19/90, 95, 65, 102, 103, 105, 106, 107,
D19/109; D6/301; 215/388, 387, 382;
220/703, 669, 667, 62.12, 592.16, 592.17,
220/666; D24/197
CPC .. A47G 19/30; A47G 19/022; A47G 23/0608;
A47G 23/0633; A47G 23/06; A47G
2019/2277; A45F 2003/205; B65D
21/086; B65D 1/0292; Y10S 215/90

See application file for complete search history.

(56) **References Cited**

U.S. PATENT DOCUMENTS

4,138 A	8/1845	Pratt	
1,865,555 A	7/1932	Brown	
2,534,614 A	12/1950	Michael	
2,816,548 A	12/1957	Tupper	
D188,074 S *	5/1960	Wunderly	D9/500
D192,827 S *	5/1962	Denhoff	D9/502
D195,103 S *	4/1963	Houghton	D9/502
D202,002 S *	8/1965	Douglas	D9/541
D209,019 S *	10/1967	Neese	D9/502
4,096,966 A	6/1978	Korshak	
4,243,156 A *	1/1981	Lobbestael	B65D 47/10 220/265
4,303,170 A	12/1981	Panicci	
4,756,440 A	7/1988	Gartner	
D297,308 S *	8/1988	Lyons	D9/502

(Continued)

Primary Examiner — Marianne Pandozzi

Assistant Examiner — Jae Liang

(74) *Attorney, Agent, or Firm* — Muskin & Farmer LLC

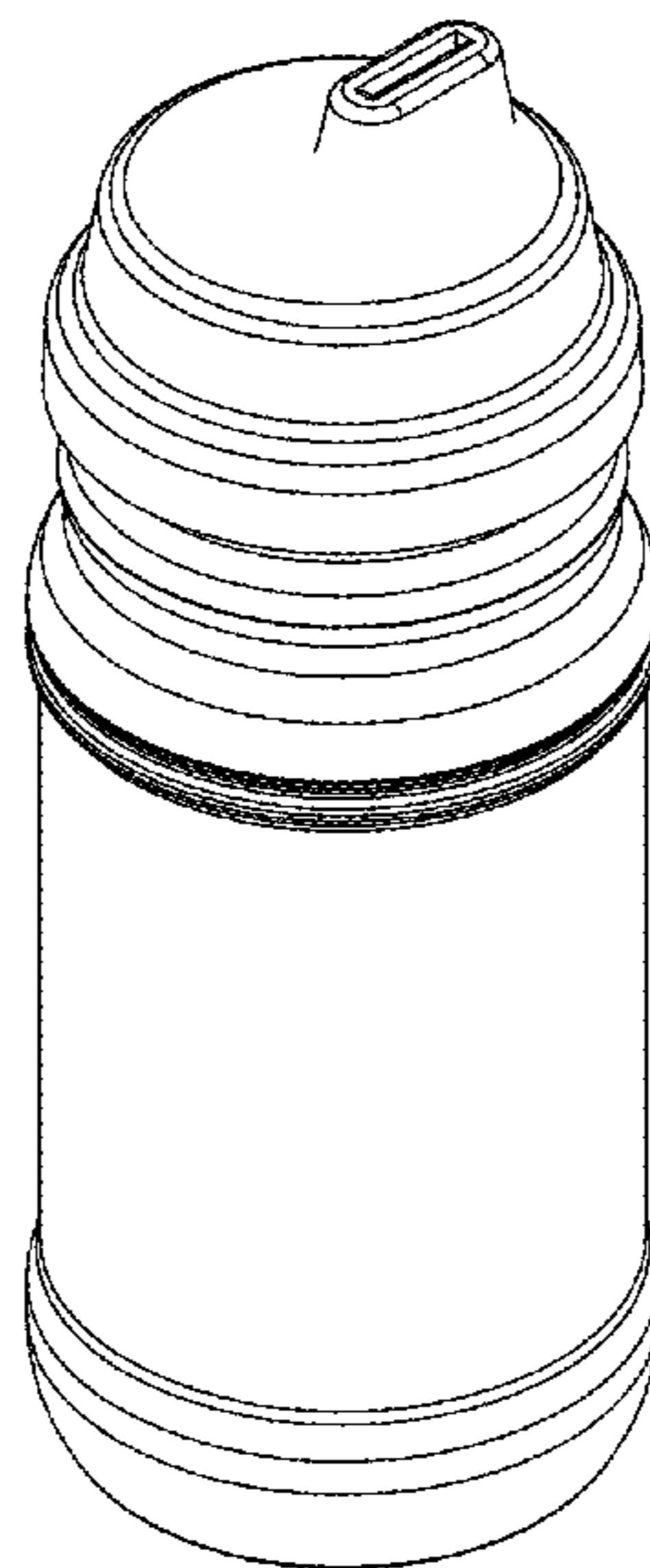
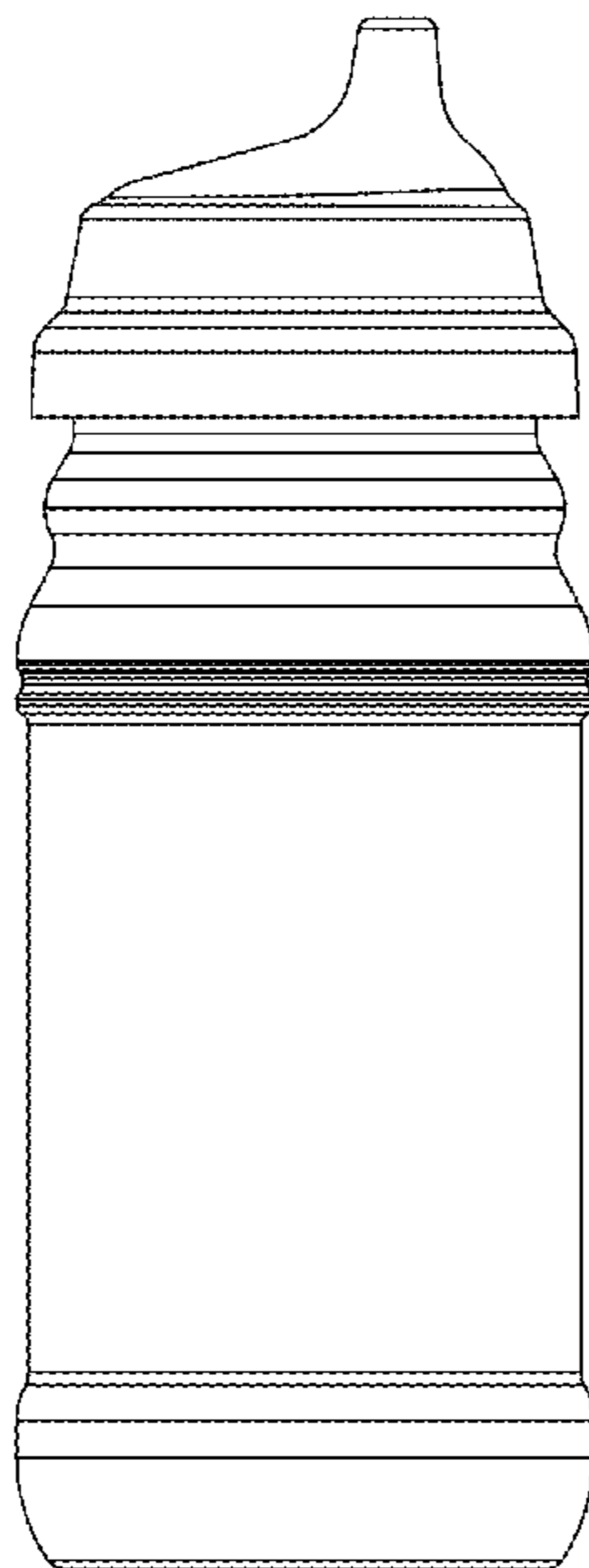
(57) **CLAIM**

The ornamental design for a bottle, as shown and described.

DESCRIPTION

FIG. 1 is a right side view of a bottle showing our new design;
FIG. 2 is a rear view of the bottle;
FIG. 3 is a left side view of the bottle;
FIG. 4 is a front view of the bottle;
FIG. 5 is a bottom view of the bottle;
FIG. 6 is a top view of the bottle;
FIG. 7 is a first top perspective view of the bottle;
FIG. 8 is a second top perspective view of the bottle;
FIG. 9 is a first bottom perspective view of the bottle; and,
FIG. 10 is a second bottom perspective view of the bottle.

1 Claim, 5 Drawing Sheets



(56)

References Cited

U.S. PATENT DOCUMENTS

5,079,013	A	1/1992	Belanger	
D381,271	S *	7/1997	Paoloski	D9/500
D387,247	S *	12/1997	Randolph	D7/510
D468,211	S *	1/2003	Harris	D9/530
D488,722	S *	4/2004	Evans	D9/538
D561,522	S *	2/2008	Gordon	D7/392
D579,721	S *	11/2008	Qian	D7/507
8,016,146	B2 *	9/2011	Rekstad	B65D 47/06 215/260
8,540,112	B2	9/2013	Connors	
D696,118	S *	12/2013	Lindstrom	D7/509
D713,671	S *	9/2014	De Leo	D7/392.1
D717,107	S *	11/2014	Dunn	D7/396.2
D721,965	S *	2/2015	Lindstrom	D9/500
D723,394	S *	3/2015	Beard	D9/776
D744,834	S *	12/2015	Cullen	D9/500
D747,145	S *	1/2016	Struckmeier	D7/510
2007/0235477	A1 *	10/2007	Penny	B65D 1/023 222/566

* cited by examiner

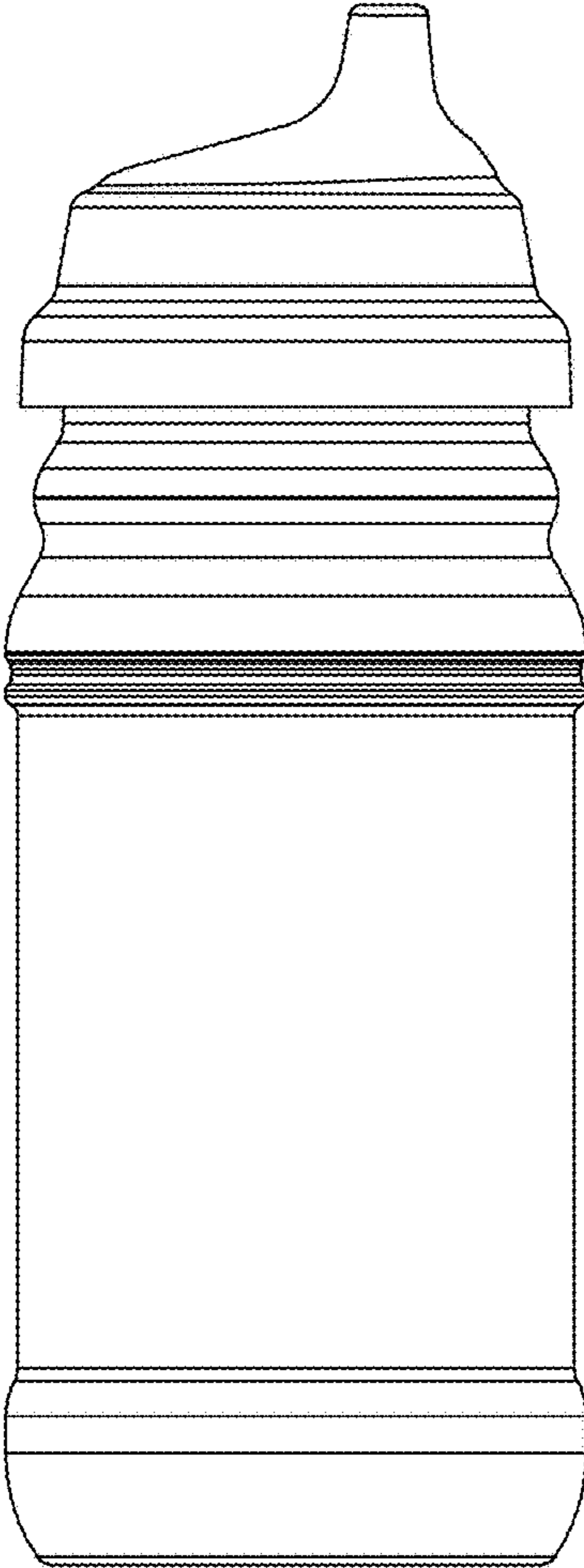


FIG. 1

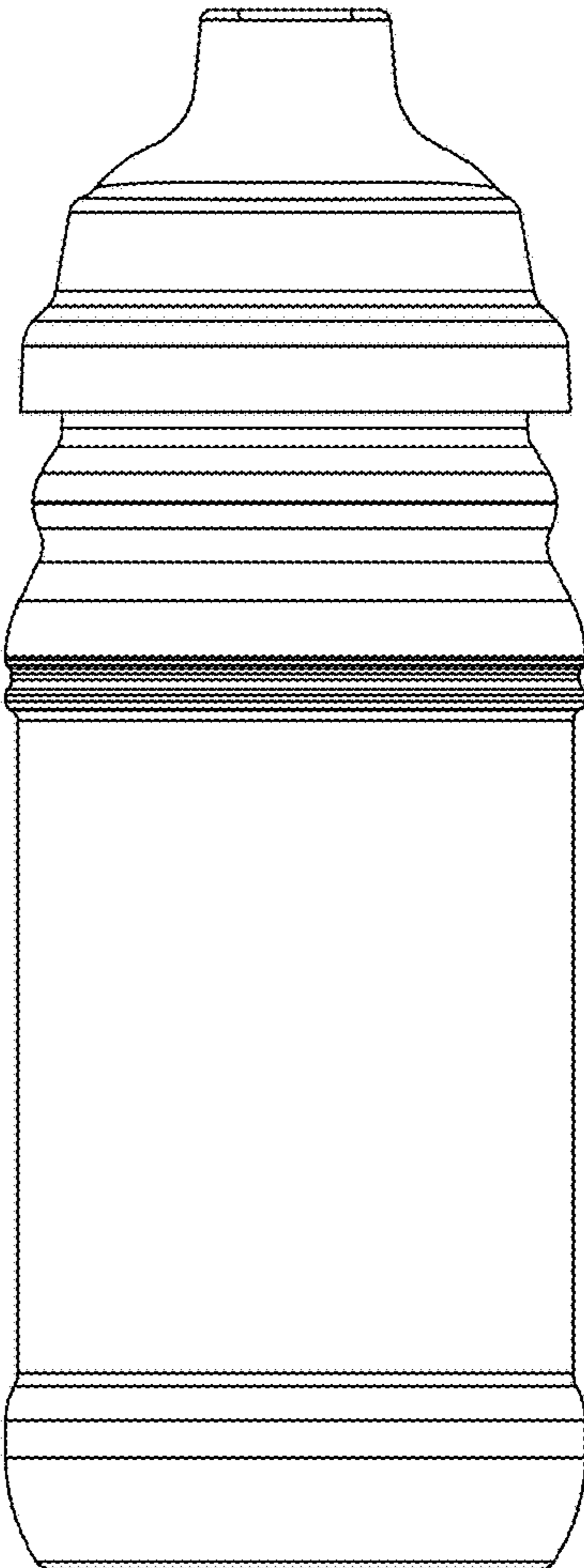


FIG. 2

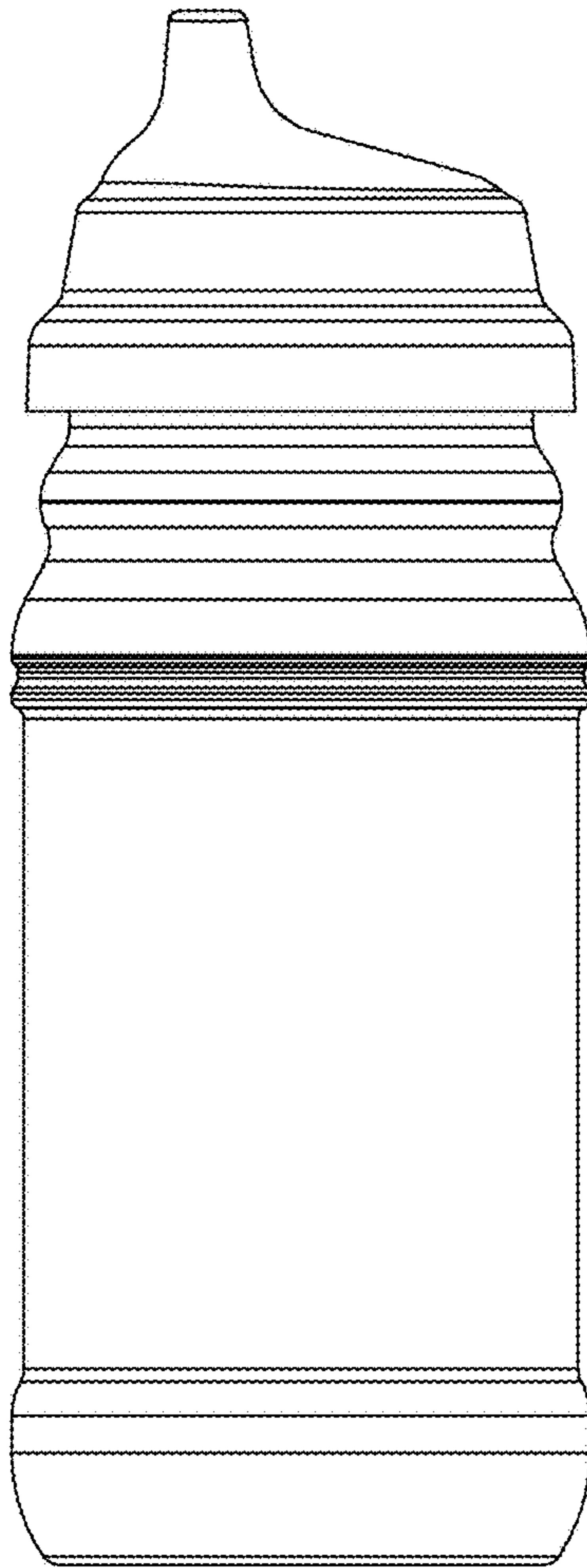


FIG. 3

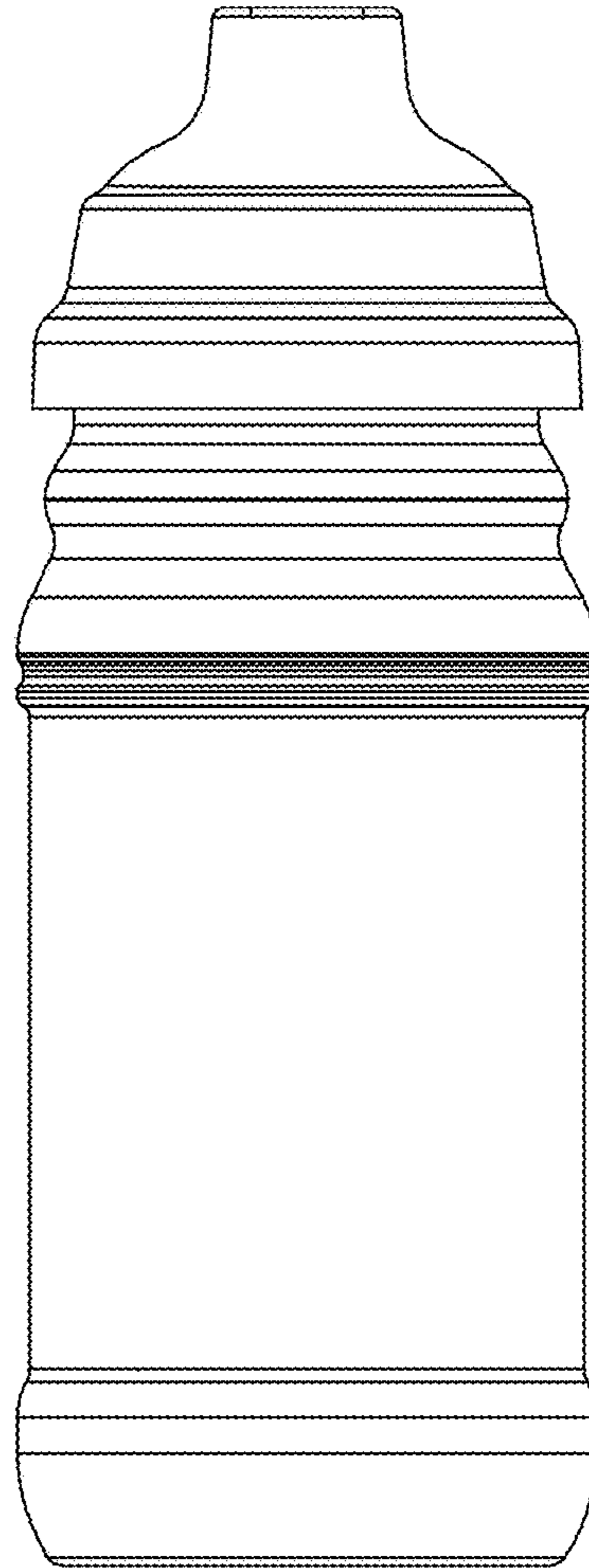


FIG. 4

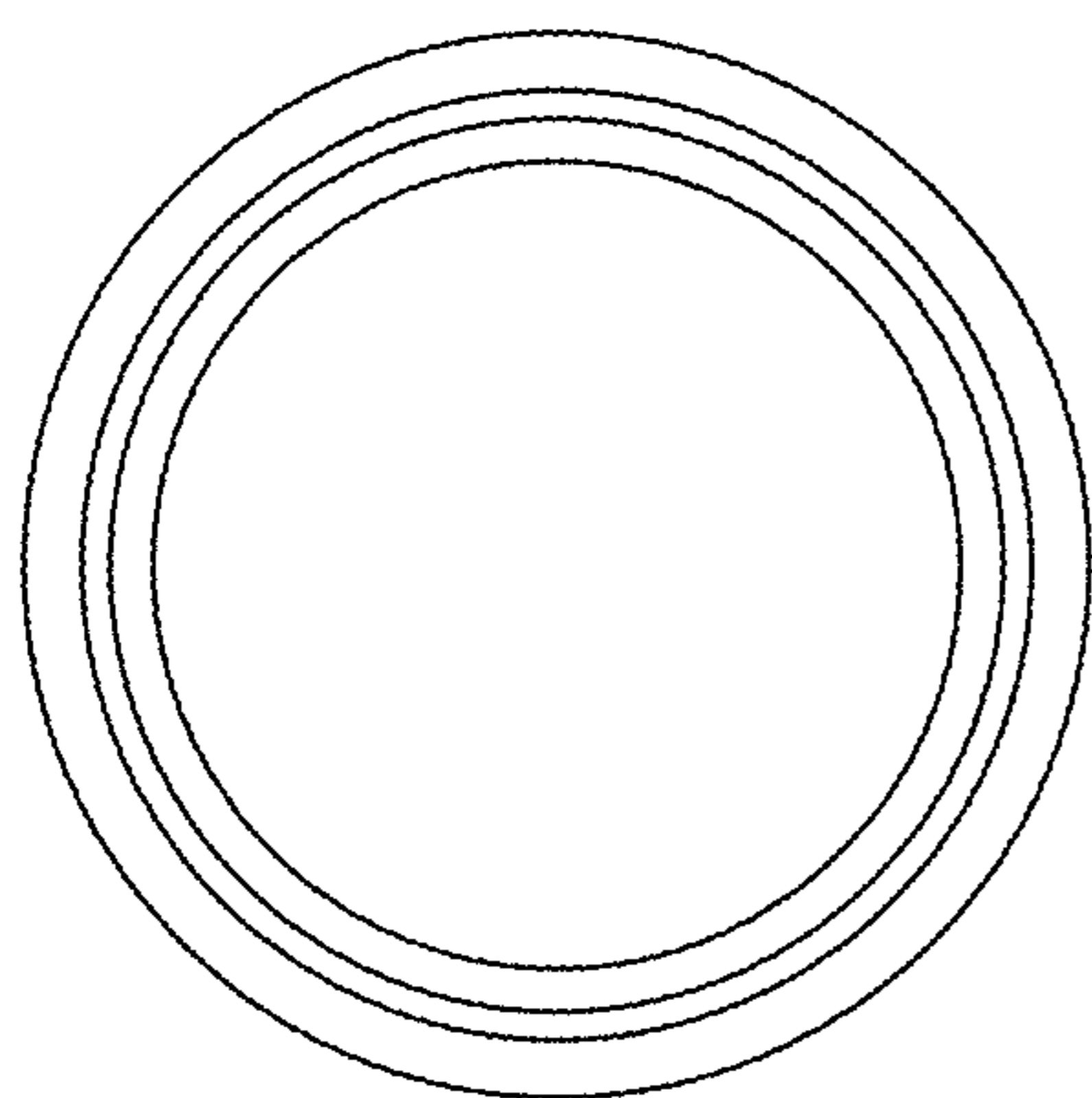


FIG. 5

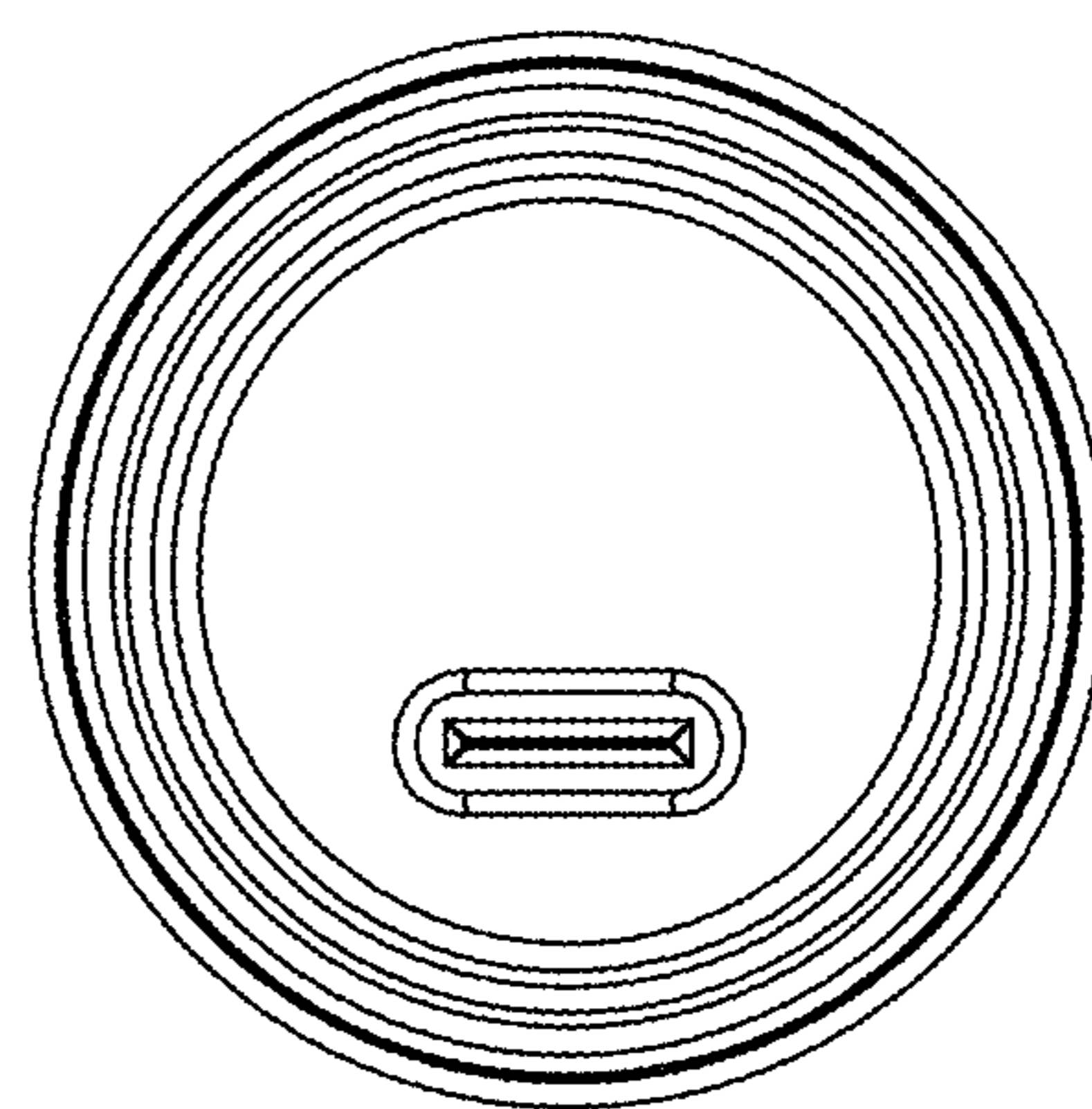


FIG. 6

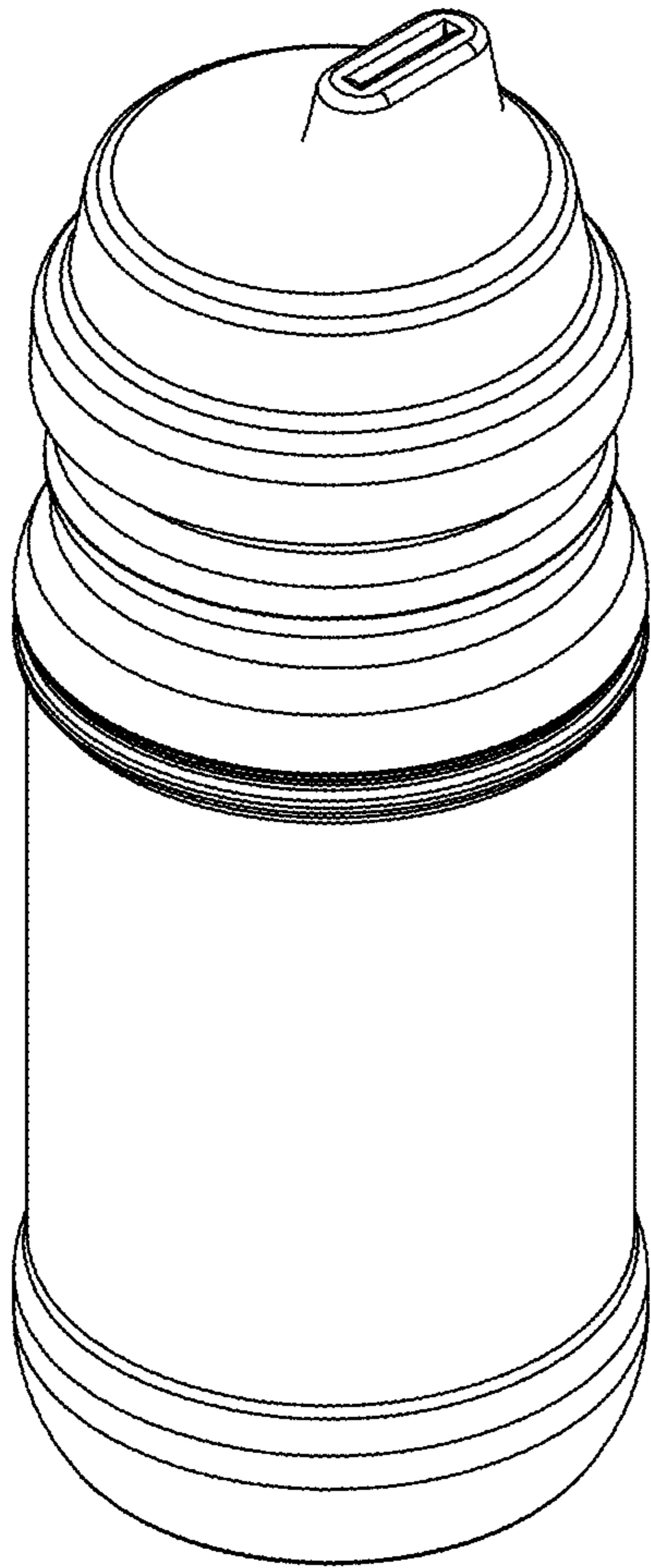


FIG. 7

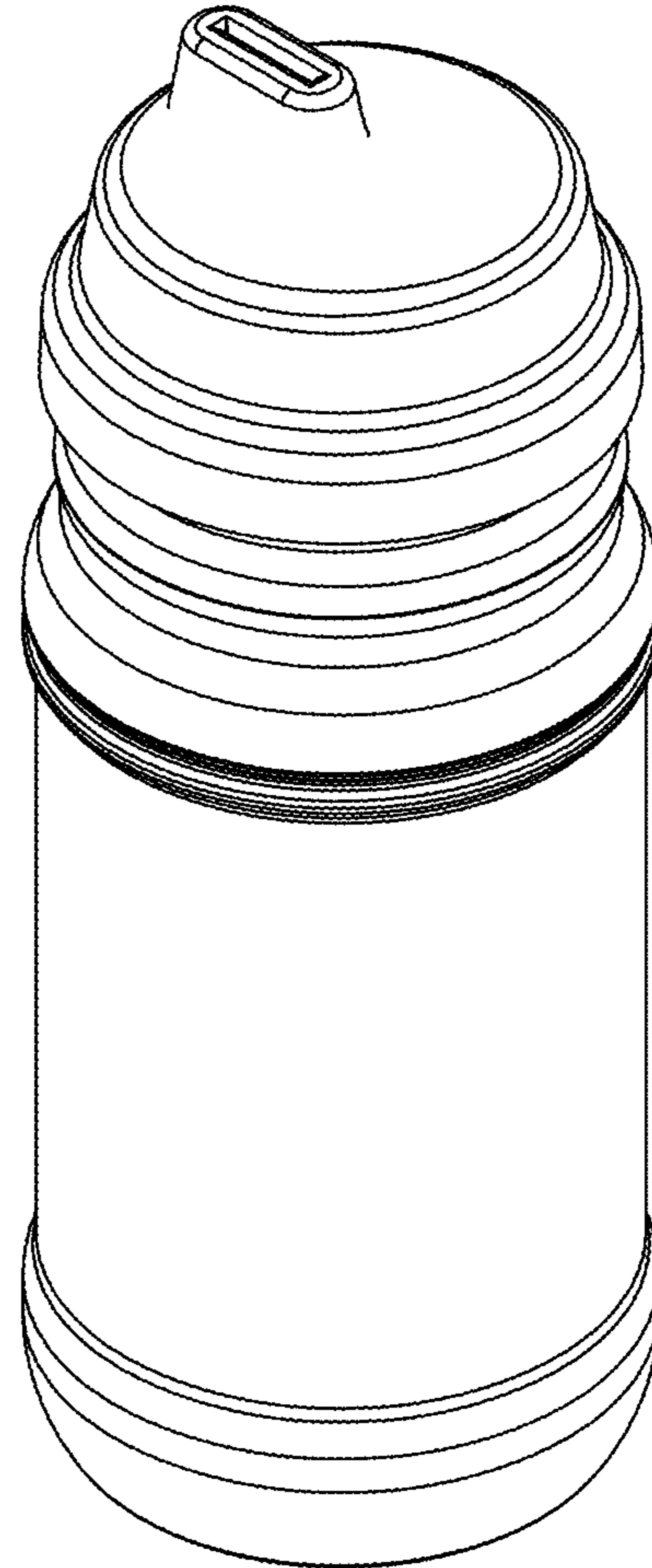


FIG. 8

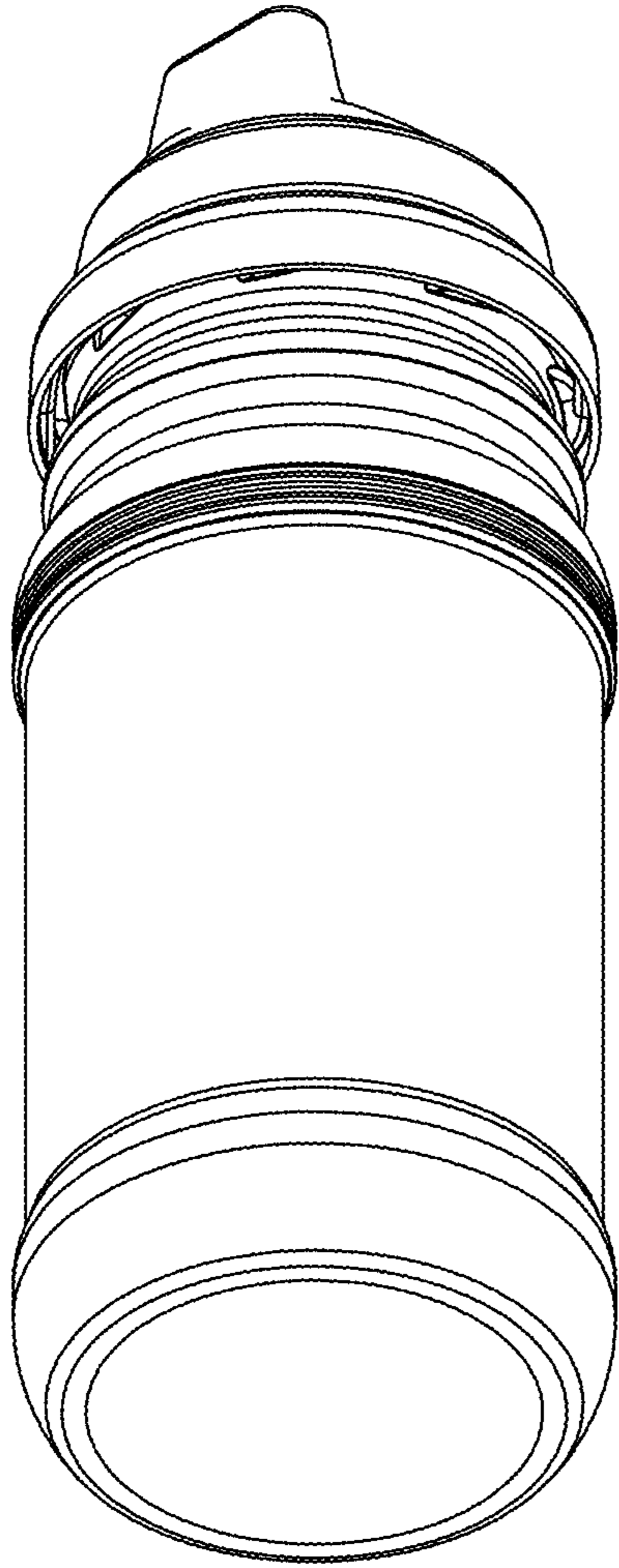


FIG. 9

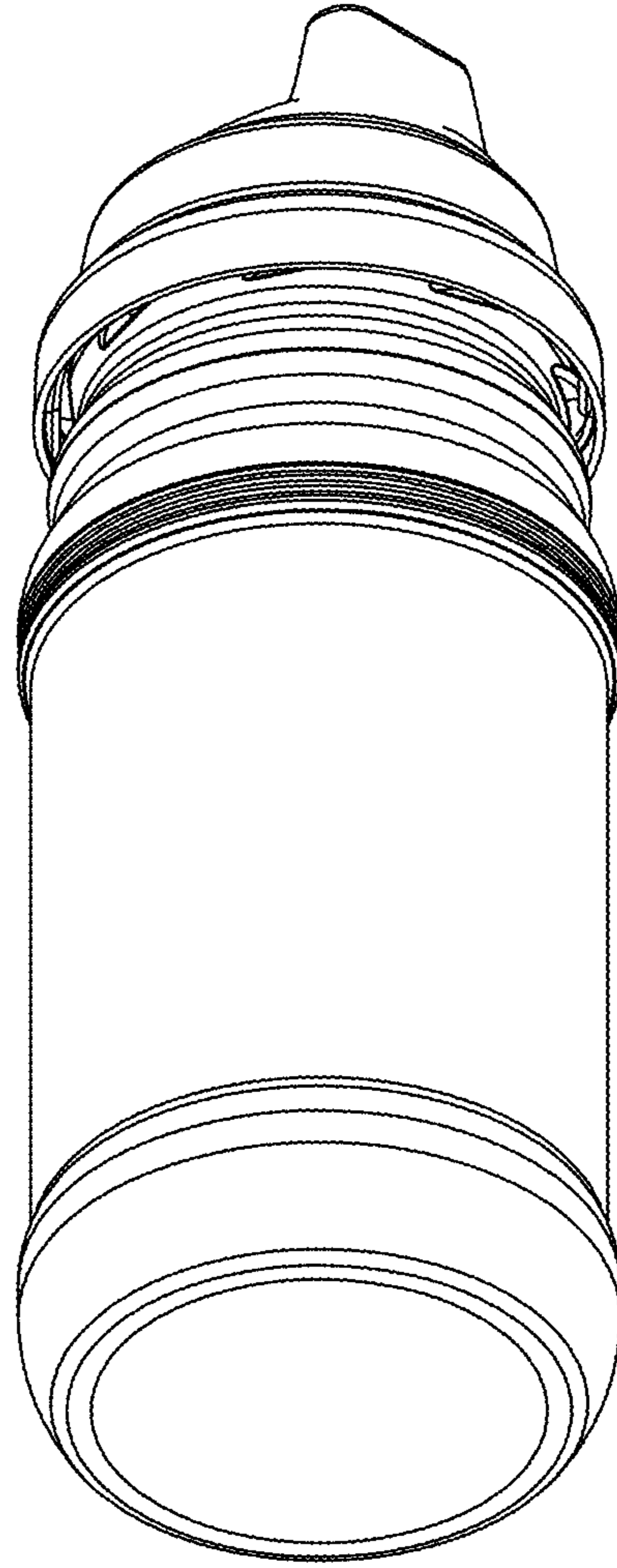


FIG. 10