



US00D784082S

(12) **United States Design Patent** (10) **Patent No.:** **US D784,082 S**
Yao (45) **Date of Patent:** **** Apr. 18, 2017**

(54) **INFUSER TEA CUP WITH STRAW**

(56) **References Cited**

(71) Applicant: **Hangzhou Everich Houseware Co., Ltd.**, Hangzhou, Zhejiang (CN)
(72) Inventor: **Huajun Yao**, Zhejiang (CN)
(73) Assignee: **HANGZHOU EVERICH HOUSEWARE CO., LTD.**, Hangzhou, Zhejiang (CN)

U.S. PATENT DOCUMENTS

D446,419	S	*	8/2001	Ming-Shiue	D7/392.1
D614,955	S	*	5/2010	Cresswell	D9/447
D621,648	S	*	8/2010	Lown	D7/300.1
D624,789	S	*	10/2010	Bodum	D7/510
D658,431	S	*	5/2012	Gilbert	D7/392.1
2013/0056463	A1	*	3/2013	Buck	A47G 19/065
						220/23.83
2014/0284343	A1	*	9/2014	Allen	A47G 19/222
						220/710

(**) Term: **15 Years**

* cited by examiner

(21) Appl. No.: **29/532,780**

Primary Examiner — Marianne Pandozzi

(22) Filed: **Jul. 9, 2015**

Assistant Examiner — Jae Liang

(51) **LOC (10) Cl.** **07-01**

(74) *Attorney, Agent, or Firm* — Global IP Services; Tainhua Gu

(52) **U.S. Cl.**

USPC **D7/507**; D7/510; D7/511

(58) **Field of Classification Search**

USPC D7/507, 509, 510, 511, 513, 523, 529, D7/532, 533, 534, 300, 300.1, 591, 608, D7/392, 392.1, 396.1, 396.2, 900, 394, D7/393, 300.2; D9/500, 501, 502, 503, D9/504, 516, 517, 525, 435, 436, 440, D9/442, 443, 449, 434, 556, 438, 538, D9/447, 445, 563, 554, 550, 546, 545, D9/446, 455, 415; D3/202; 222/480, 222/507, 546, 548, 553; 220/210, 212.5, 220/703, 709, 711, 523, 288, 710.5, 717, 220/200; 215/12.1, 216, 11.4, 11.5, 11.1; 40/310, 324; D19/20; D20/18, 19, 22; D8/394; D24/197

(57) **CLAIM**

The ornamental design for an infuser tea cup with straw, as shown and described.

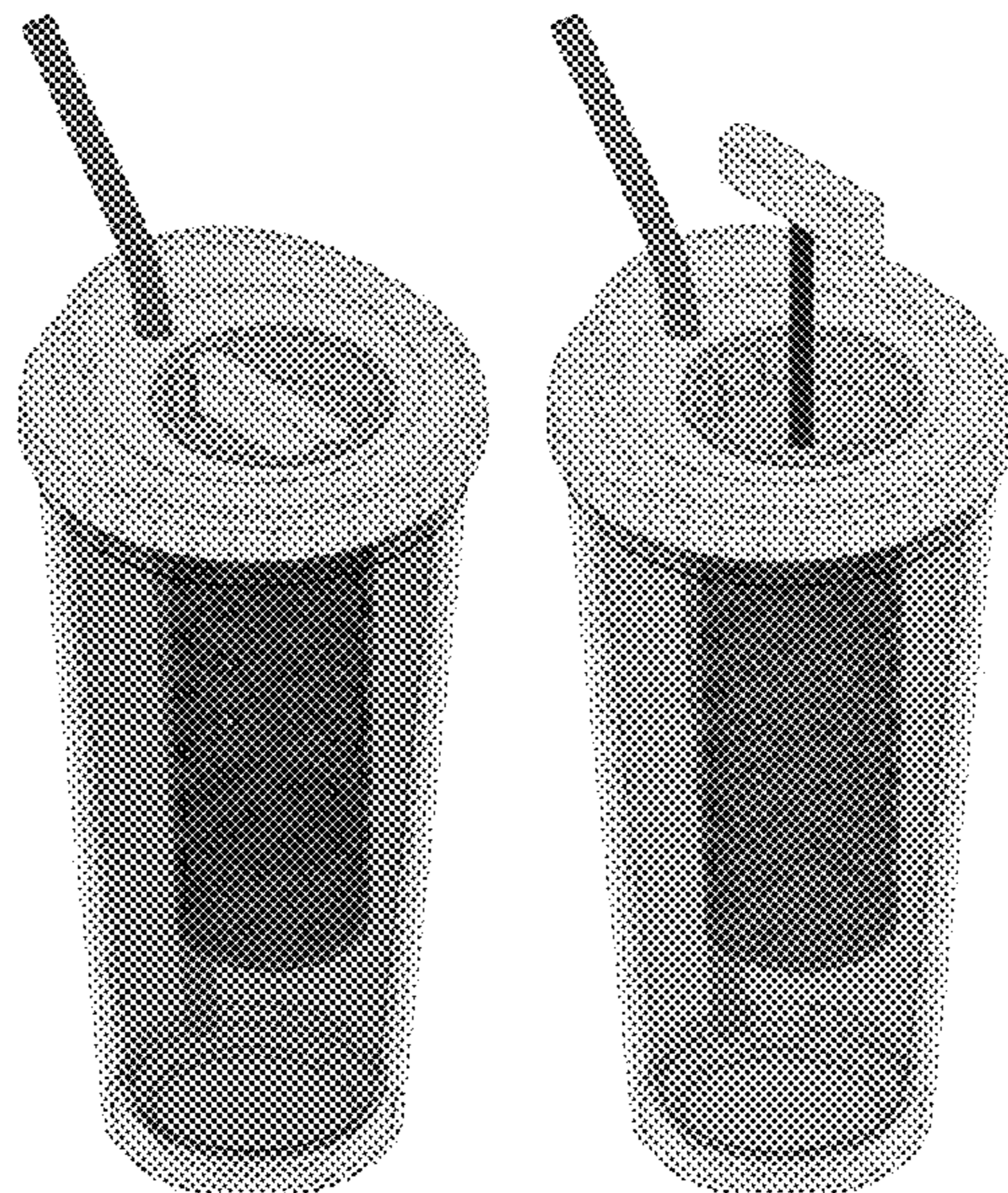
CPC B65D 23/02; B65D 39/0052; B65D 39/0082; B65D 39/0076; B65D 39/007; B65D 43/0277; B65D 43/0279; B65D 43/0285; B65D 43/12; B65D 23/06; A61J 2205/20; A61J 2200/72; A61J 9/02; A61J 9/08; B67D 1/16

DESCRIPTION

FIG. 1 is a front elevational view of an infuser tea cup with straw showing my new design;
FIG. 2 is a rear elevational view thereof;
FIG. 3 is a left side elevational view thereof;
FIG. 4 is a right side elevational view thereof;
FIG. 5 is a top plan view thereof;
FIG. 6 is a bottom plan view thereof;
FIG. 7 is a top left perspective view thereof; and,
FIG. 8 is a top left perspective view thereof with the handle of the cup in its extended position.

See application file for complete search history.

1 Claim, 4 Drawing Sheets



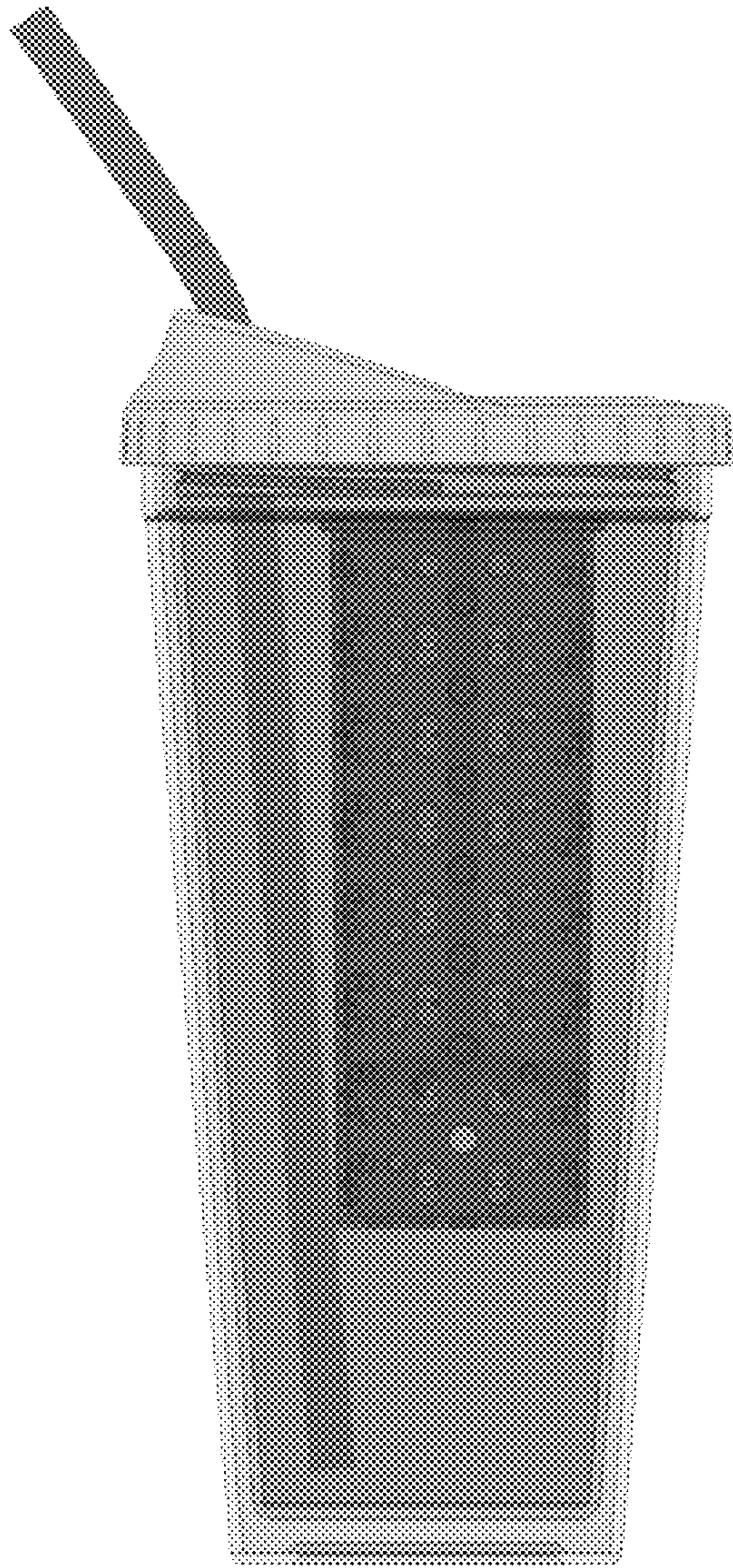


FIG. 1

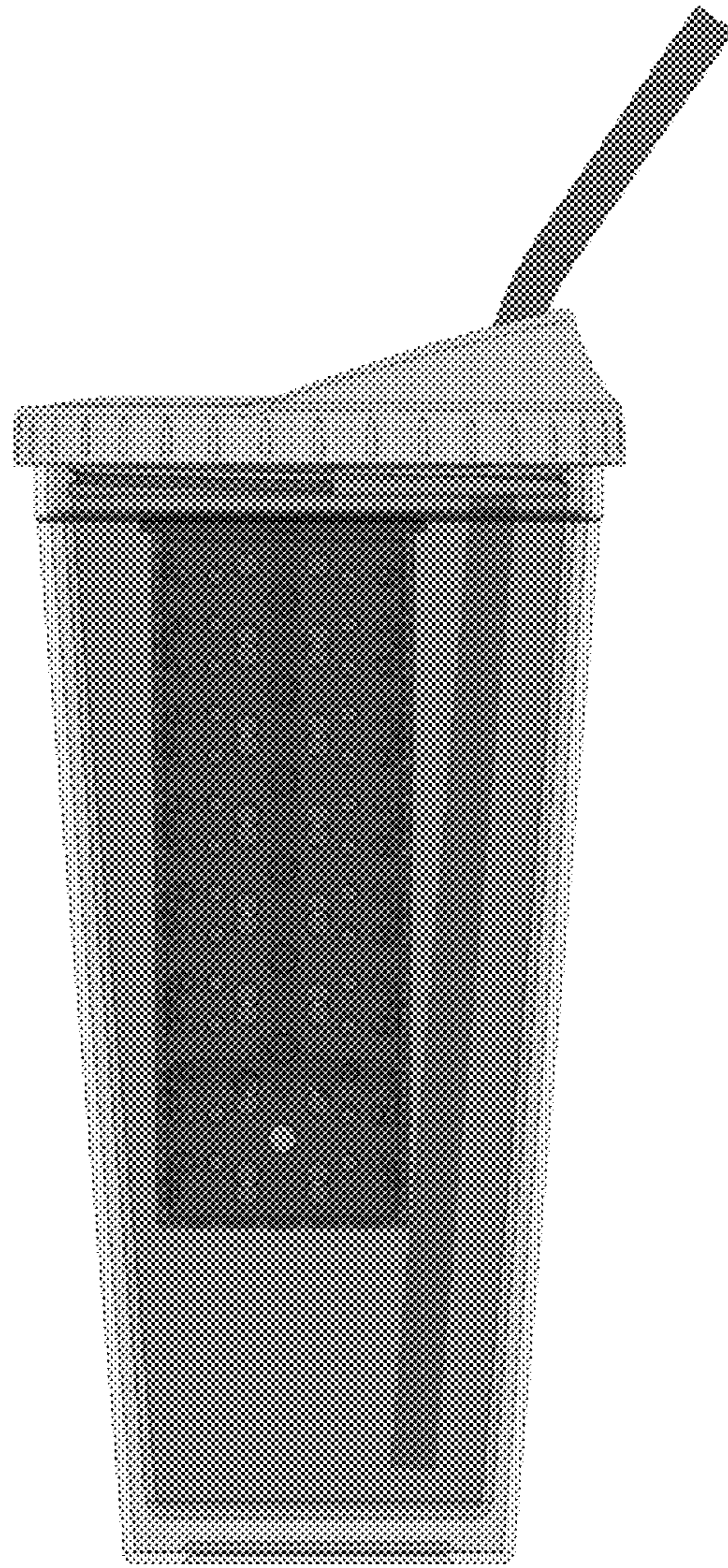


FIG. 2

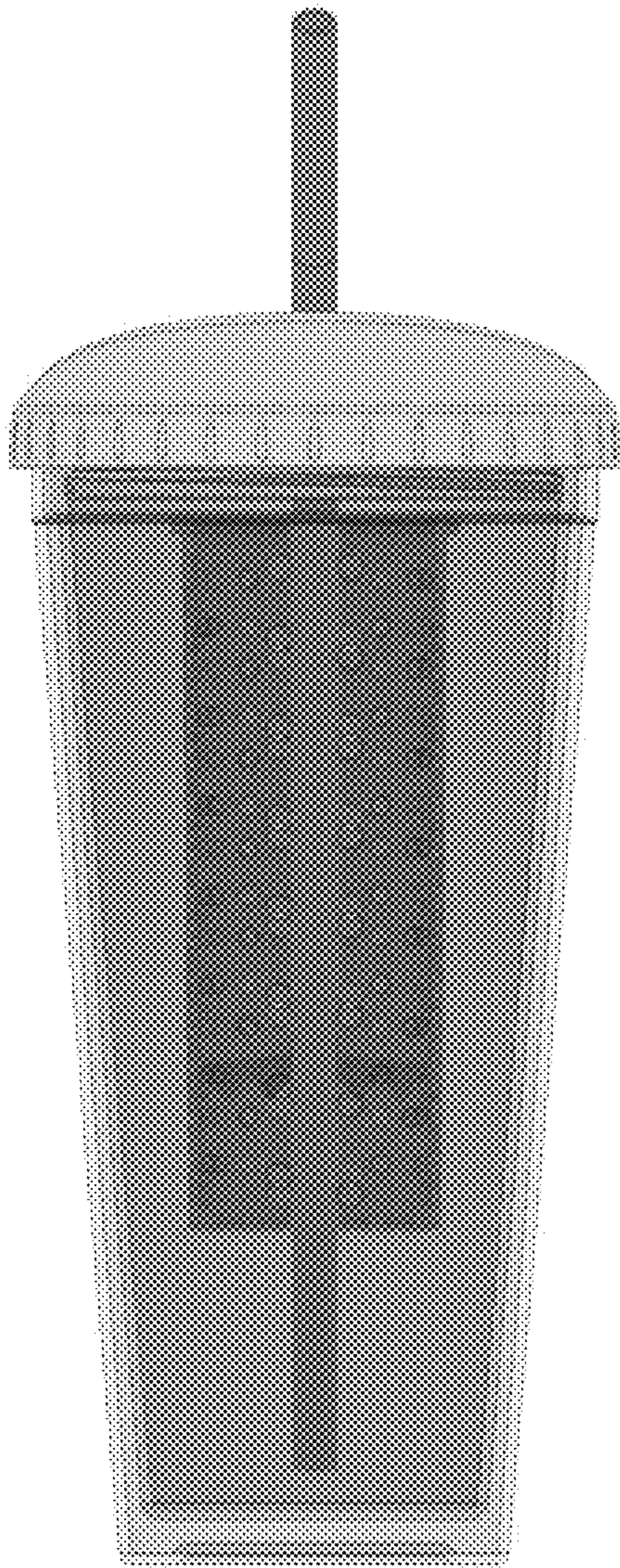


FIG. 3

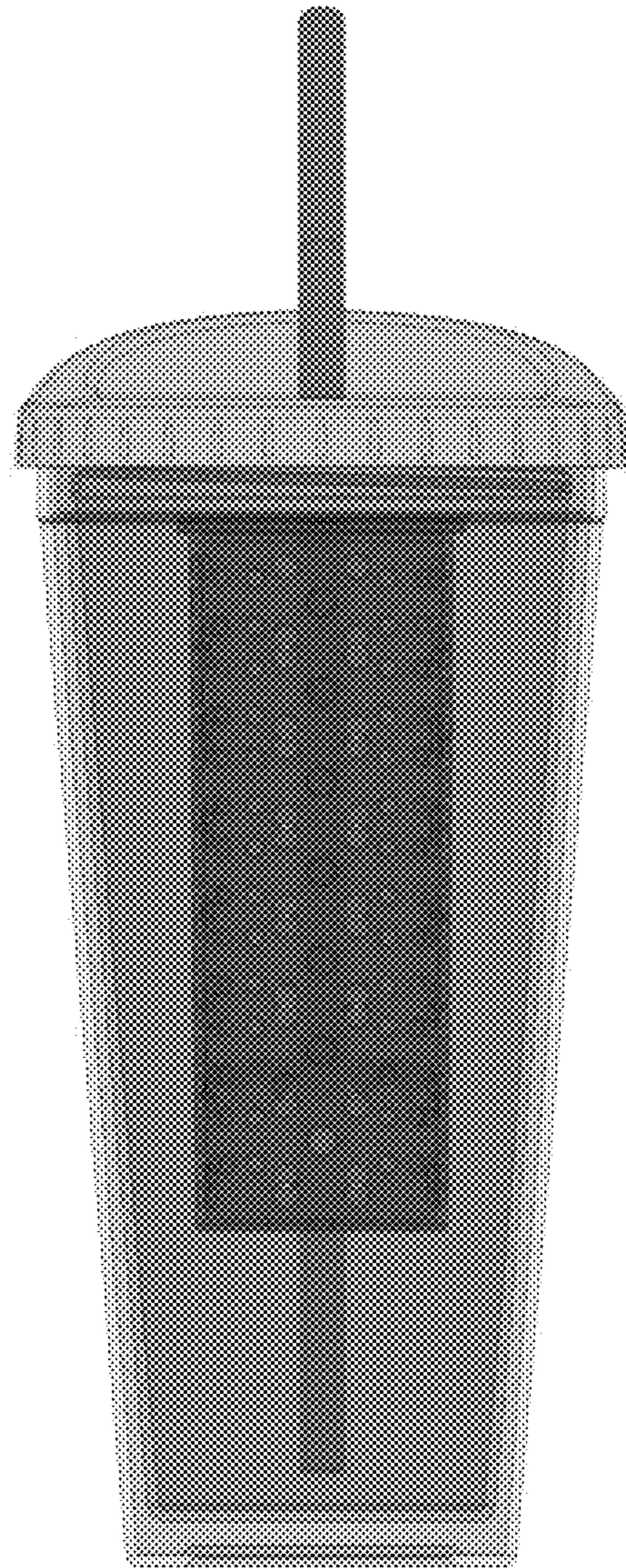


FIG. 4

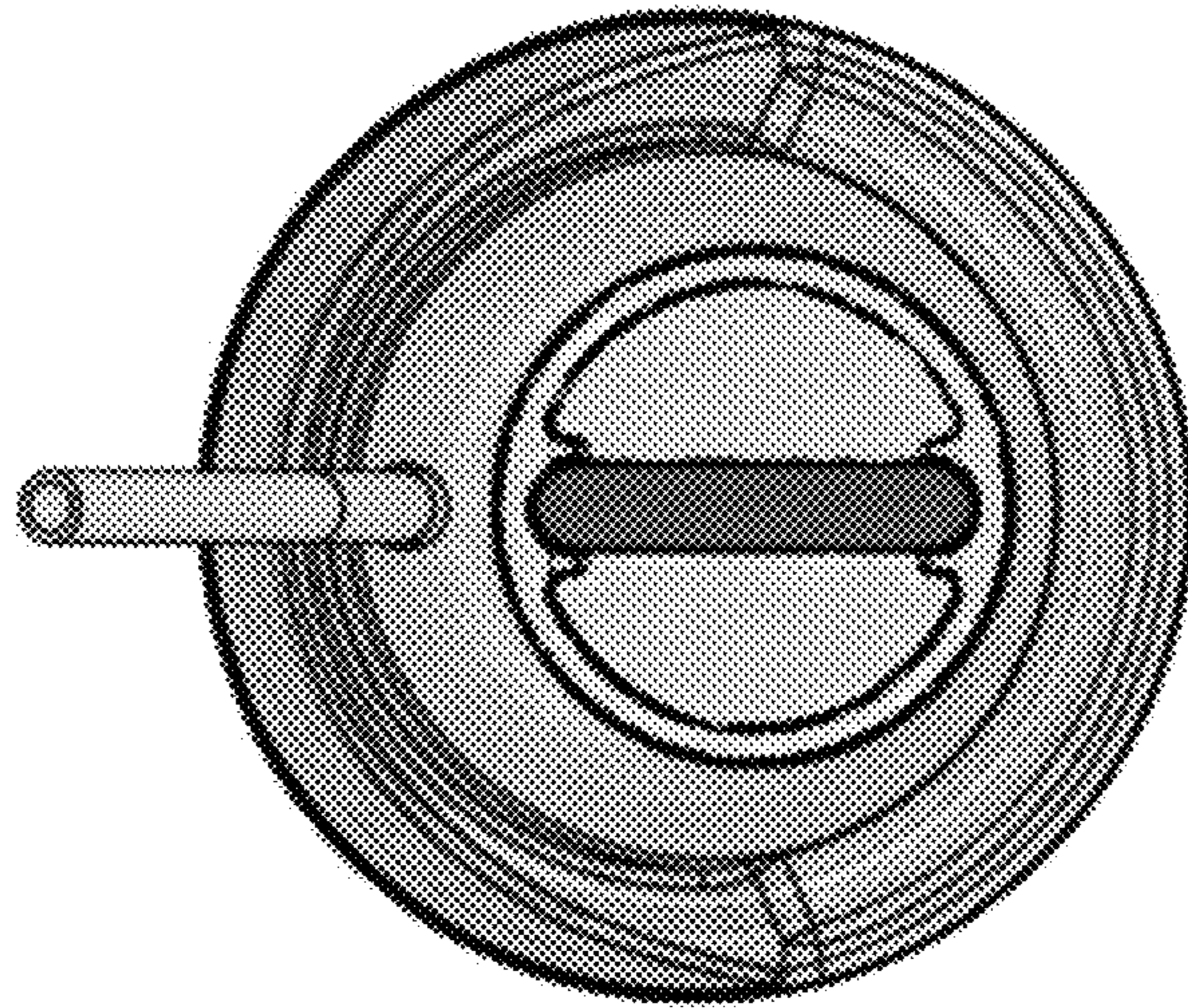


FIG. 5

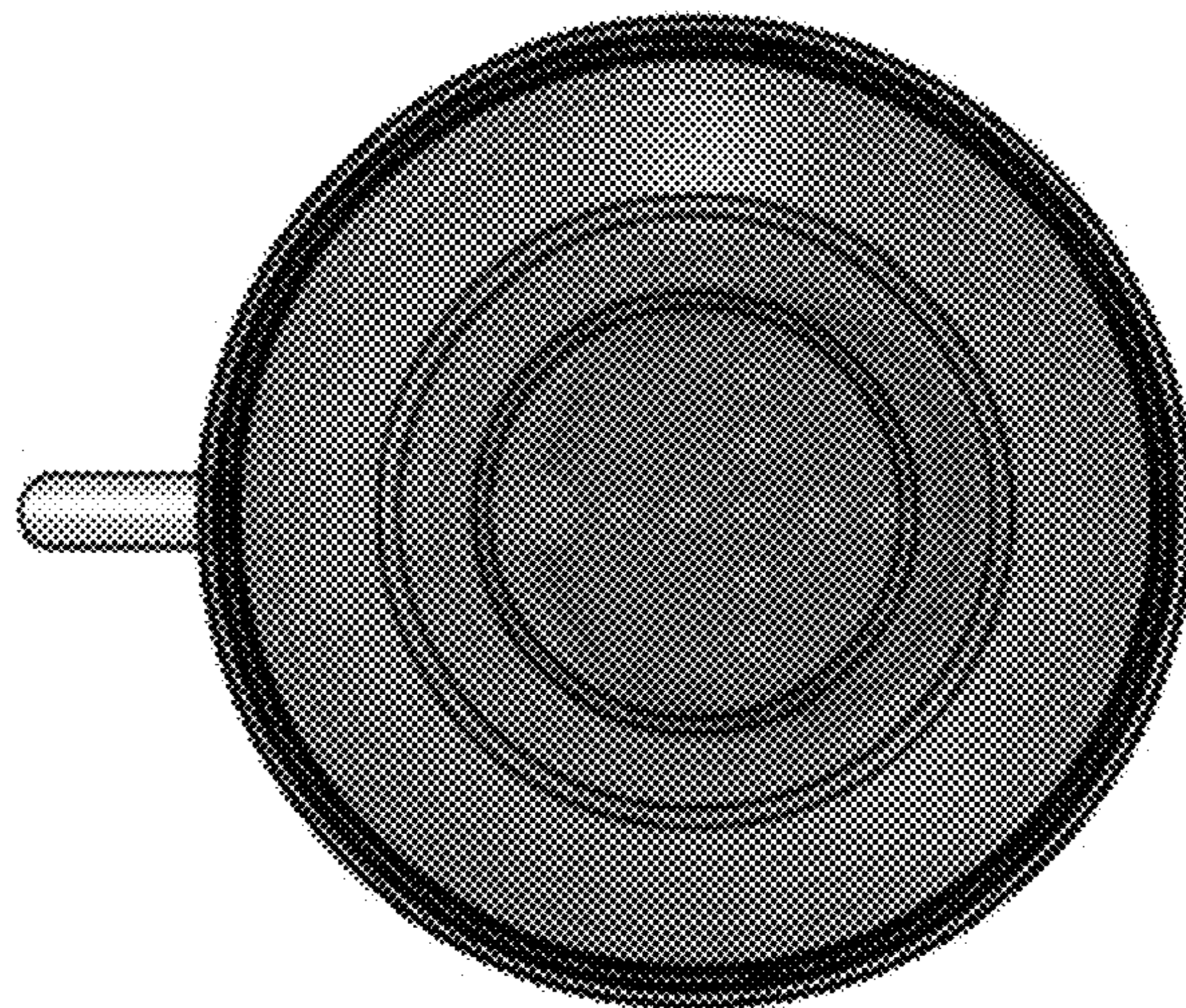


FIG. 6

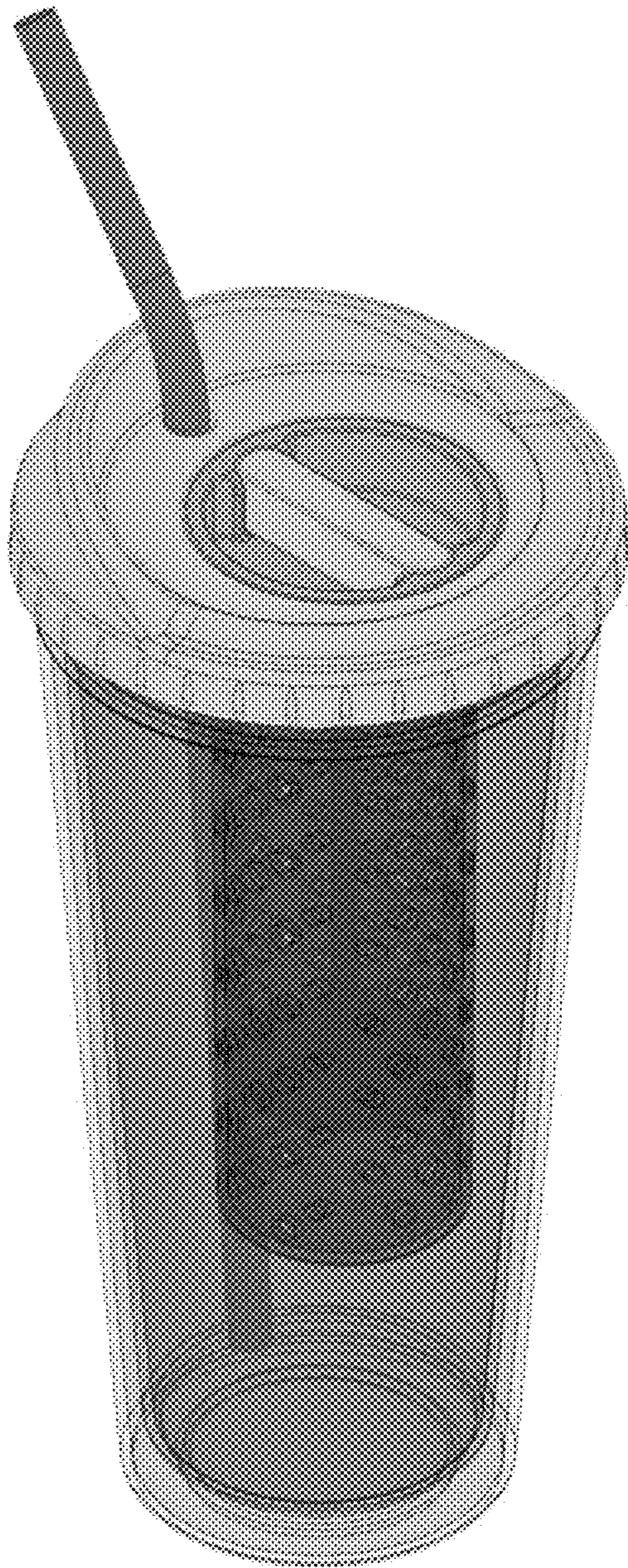


FIG. 7

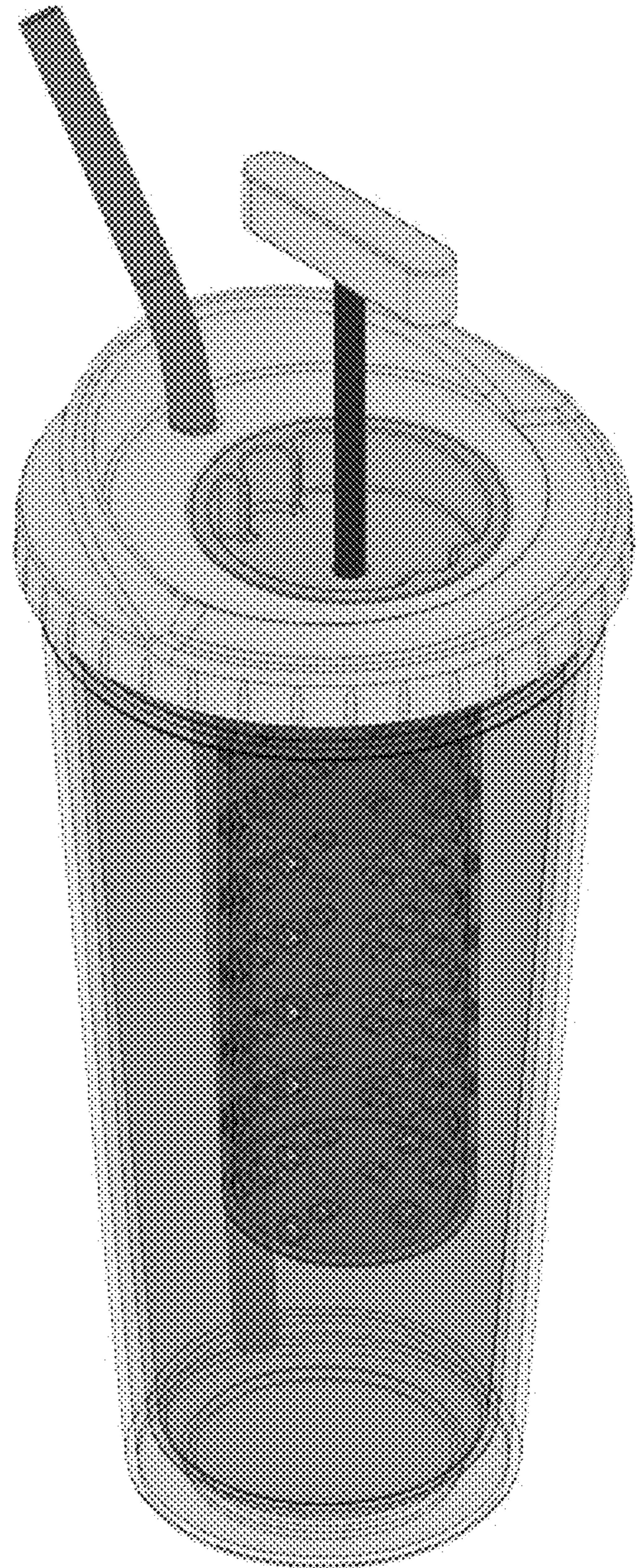


FIG. 8