



US00D784081S

(12) **United States Design Patent**  
**Szymanski**

(10) **Patent No.:** **US D784,081 S**

(45) **Date of Patent:** **\*\* Apr. 18, 2017**

(54) **CONTAINER**

(71) Applicant: **Aaron Szymanski**, Thomaston, CT  
(US)

(72) Inventor: **Aaron Szymanski**, Thomaston, CT  
(US)

(73) Assignee: **IdeaVillage Products Corp.**, Wayne,  
NJ (US)

(\*\*) Term: **15 Years**

(21) Appl. No.: **29/505,755**

(22) Filed: **Feb. 1, 2016**

(51) **LOC (10) Cl.** ..... **07-01**

(52) **U.S. Cl.**  
USPC ..... **D7/507; D7/510; D7/511**

(58) **Field of Classification Search**  
USPC ..... D7/507, 509, 510, 511, 523, 529, 531,  
D7/532, 533, 534, 608, 300.2, 591, 598,  
D7/601, 602, 387, 392.1, 396.2, 396.1,  
D7/398, 399, 397, 400, 516, 518, 519,  
D7/513; D9/435, 436, 519, 549, 552,  
D9/556, 559, 439, 440, 434; D21/386;  
D24/196, 197; 220/592.16, 292.17, 705,  
220/710, 495.03  
CPC A47G 19/22; A47G 19/2211; A47G 19/2216;  
A47G 19/2222; A47G 19/2233  
See application file for complete search history.

(56) **References Cited**

**U.S. PATENT DOCUMENTS**

D640,094 S \* 6/2011 Carlson ..... D7/510  
D674,241 S \* 1/2013 Bickert ..... D7/510

8,381,935 B1 \* 2/2013 Buck ..... A47G 19/2205  
220/212  
D723,871 S \* 3/2015 Khubani ..... D7/505  
D742,174 S \* 11/2015 Roth ..... D7/300.2  
D755,013 S \* 5/2016 Khubani ..... D7/507  
D767,335 S \* 9/2016 Khubani ..... D7/507  
D773,895 S \* 12/2016 Dai ..... D7/507  
D773,896 S \* 12/2016 Dai ..... D7/507  
2003/0173237 A1 \* 9/2003 Kim ..... B65D 3/24  
206/217

\* cited by examiner

*Primary Examiner* — Marianne Pandozzi

*Assistant Examiner* — Jae Liang

(74) *Attorney, Agent, or Firm* — Dan DeLaRosa, Esq.

(57) **CLAIM**

The ornamental design for a container, as shown and described.

**DESCRIPTION**

FIG. 1 is a top front perspective view of a container showing my new design;

FIG. 2 is a front elevational view thereof;

FIG. 3 is a rear elevational view thereof;

FIG. 4 is a first side elevational view thereof;

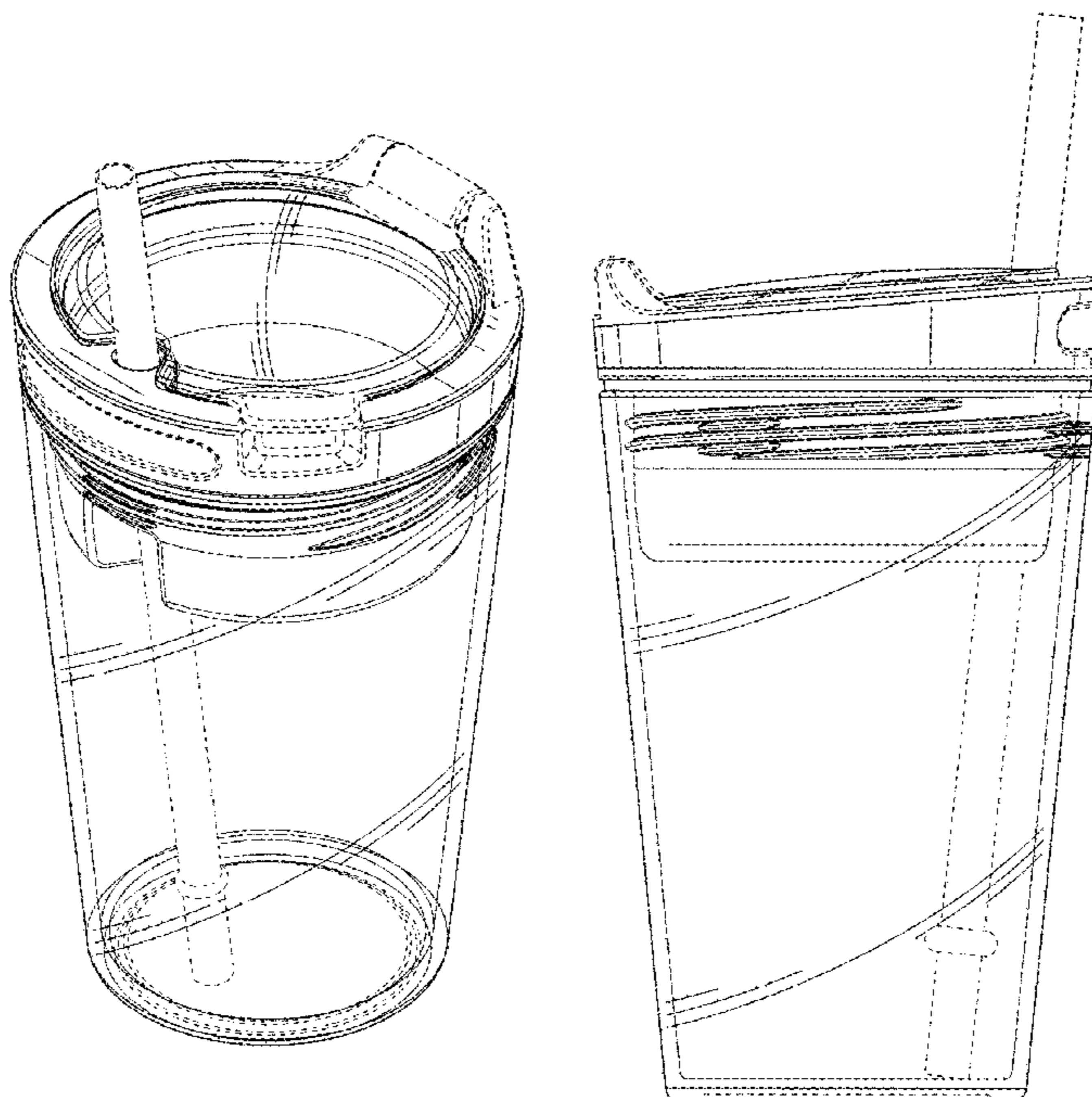
FIG. 5 is a second side elevational view thereof;

FIG. 6 is a top plan view thereof; and,

FIG. 7 is a bottom plan view thereof.

The broken lines in the drawing depict portions of the container that form no part of the claimed design.

**1 Claim, 7 Drawing Sheets**



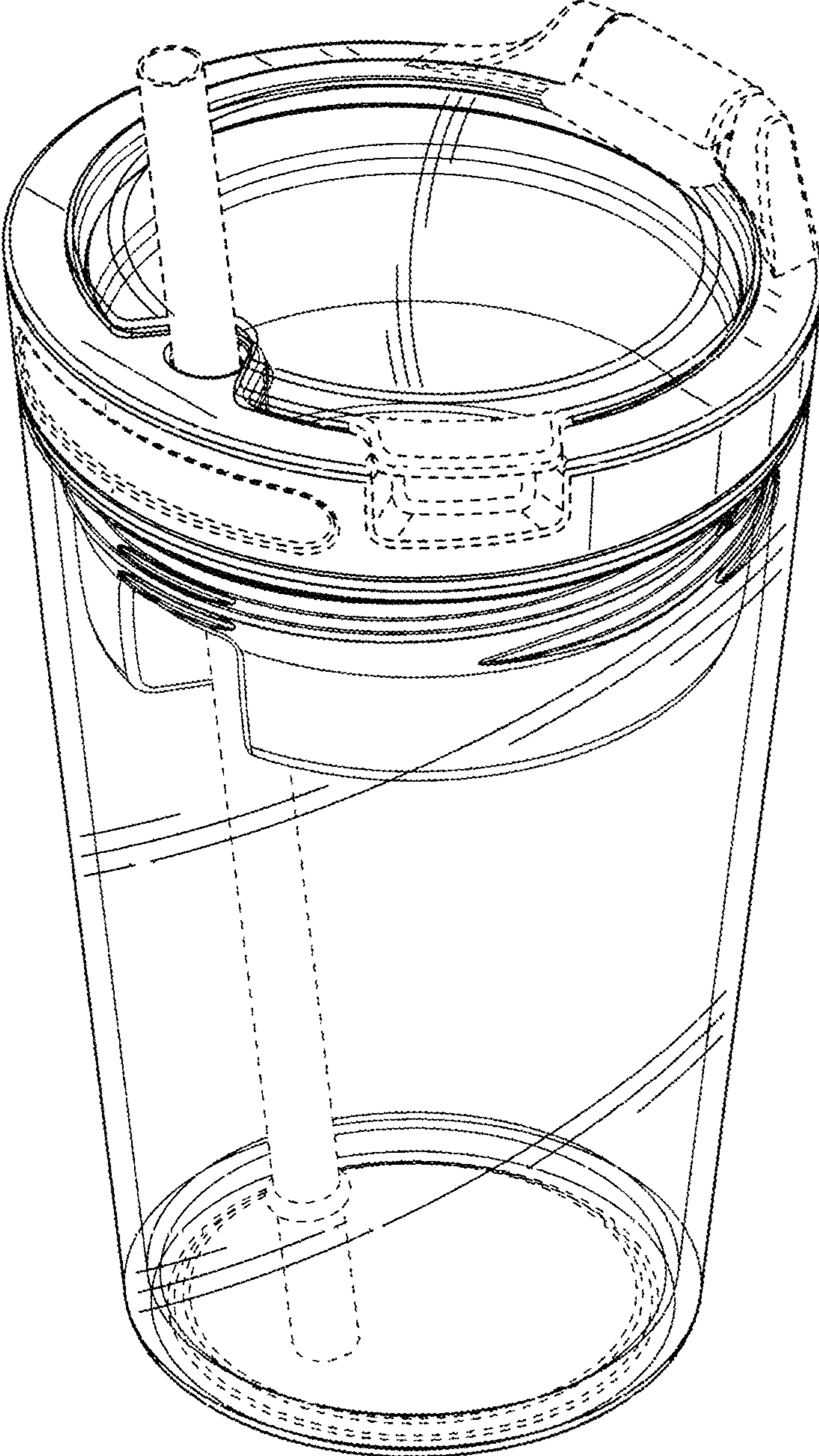


FIG. 1

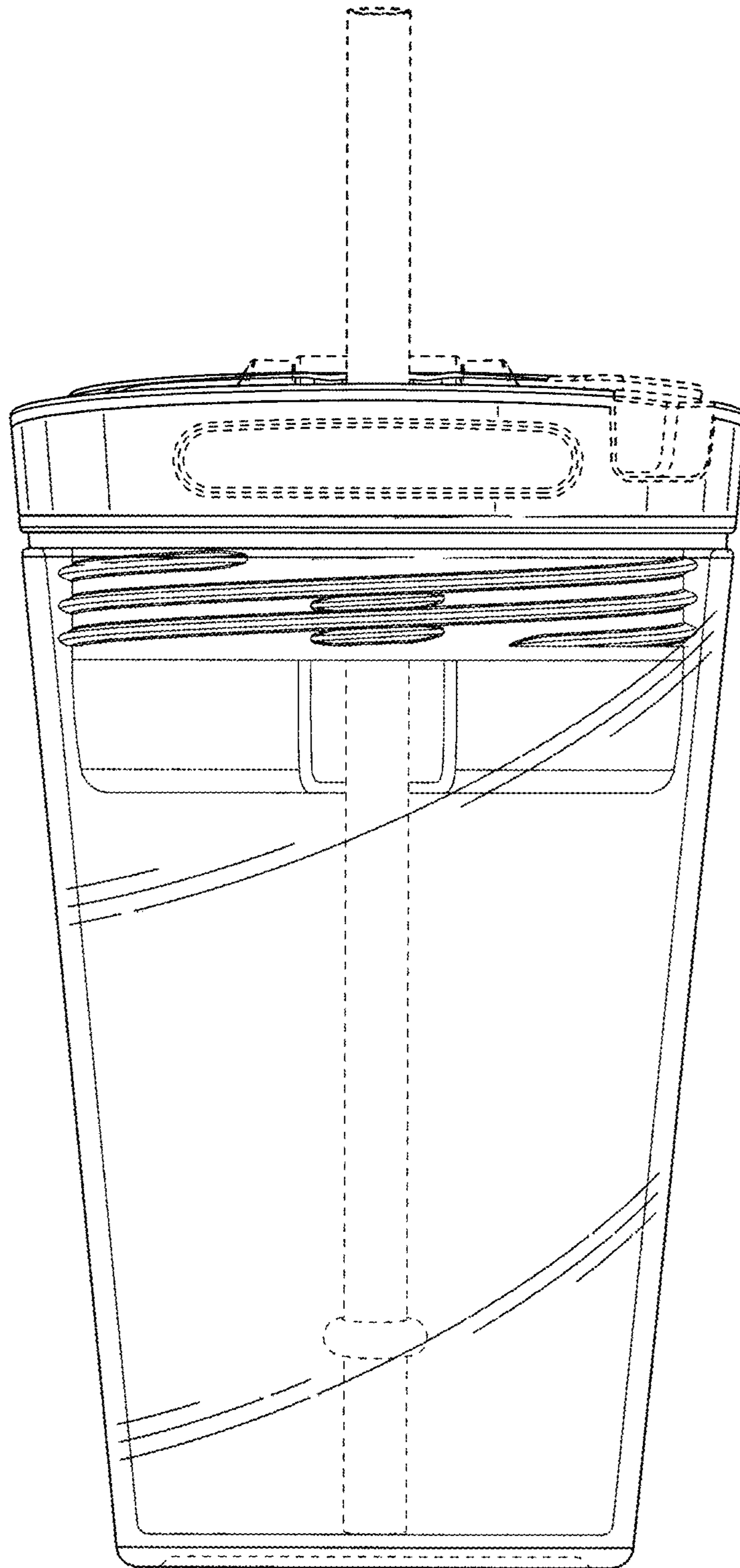


FIG. 2



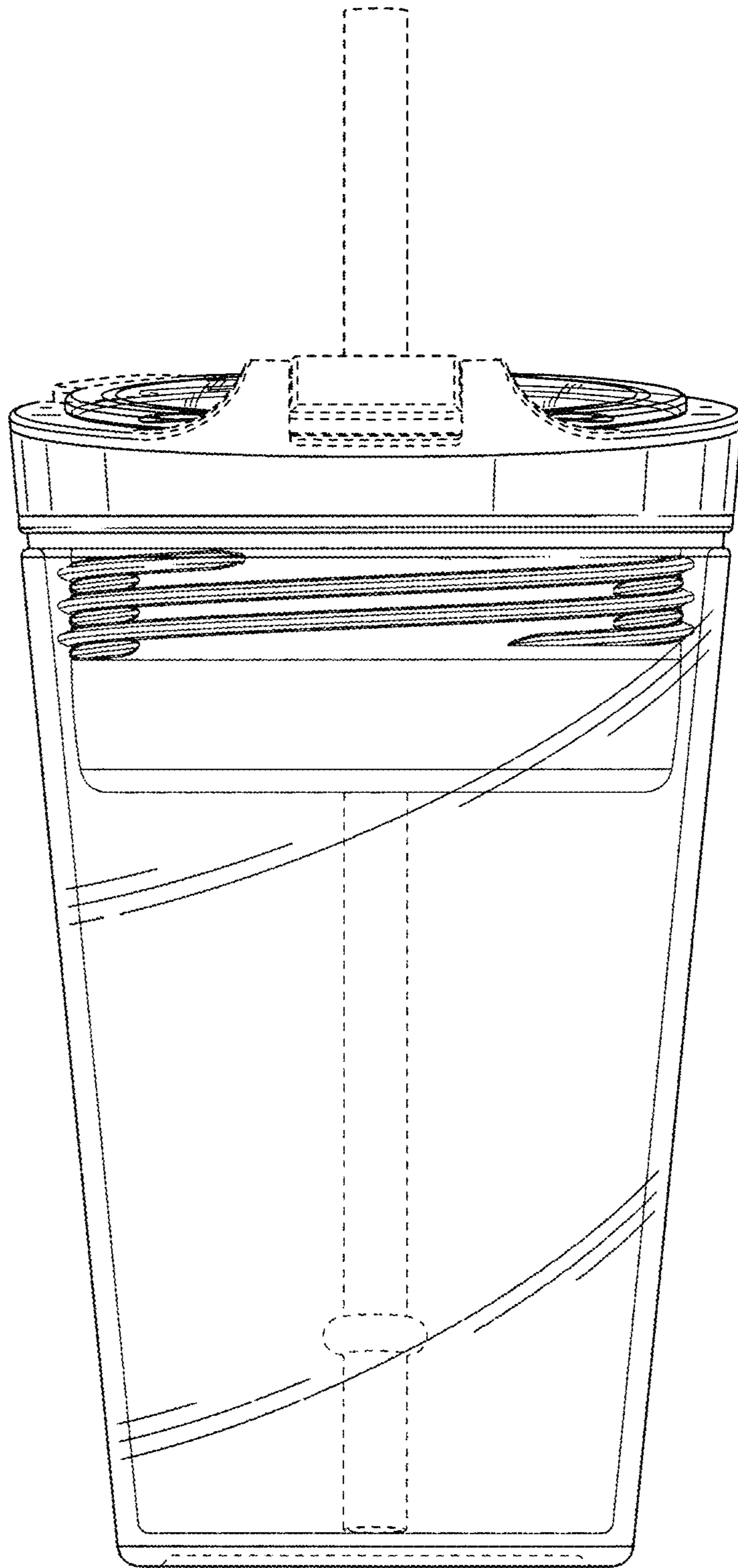


FIG. 3

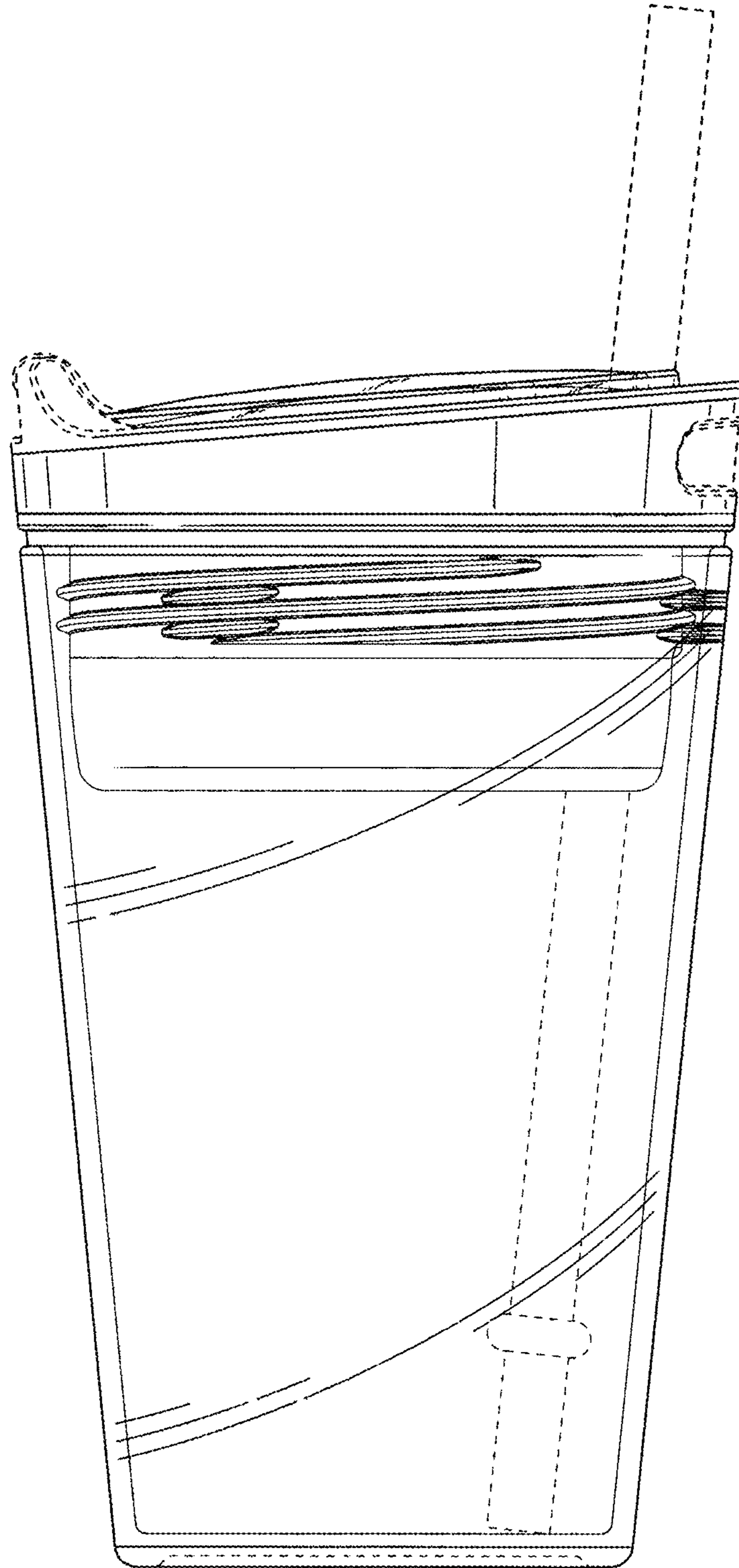


FIG. 4

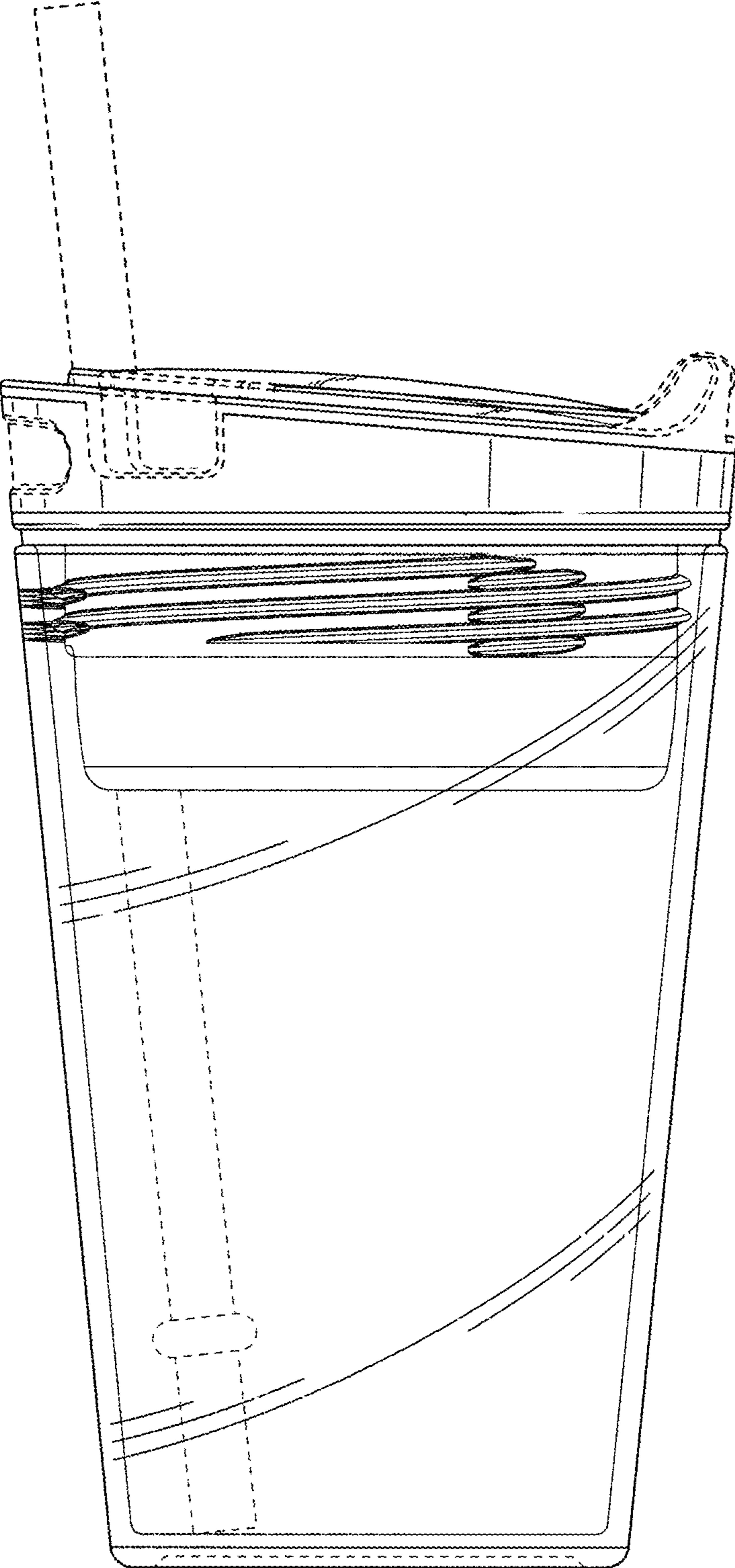


FIG. 5

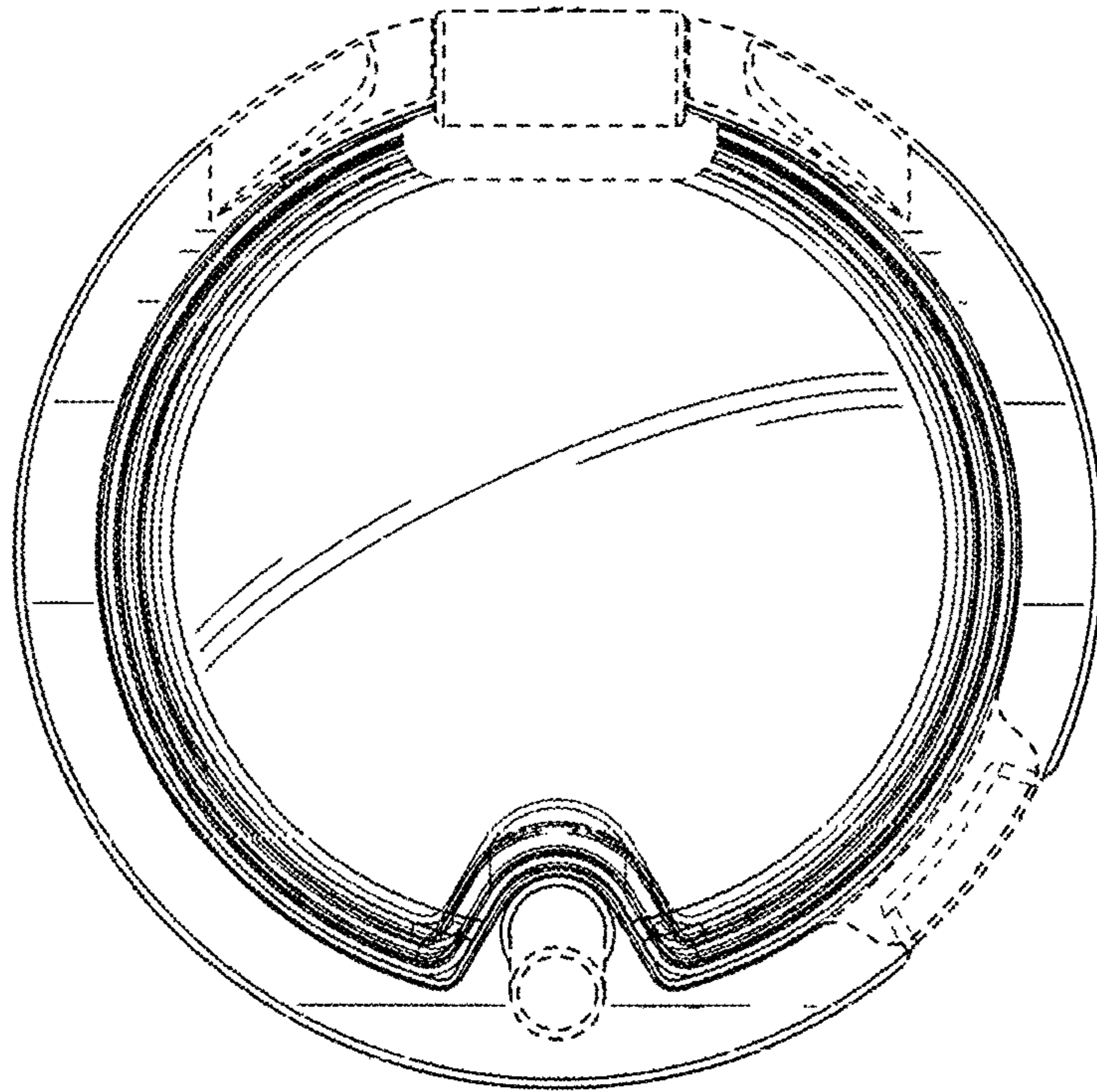


FIG. 6

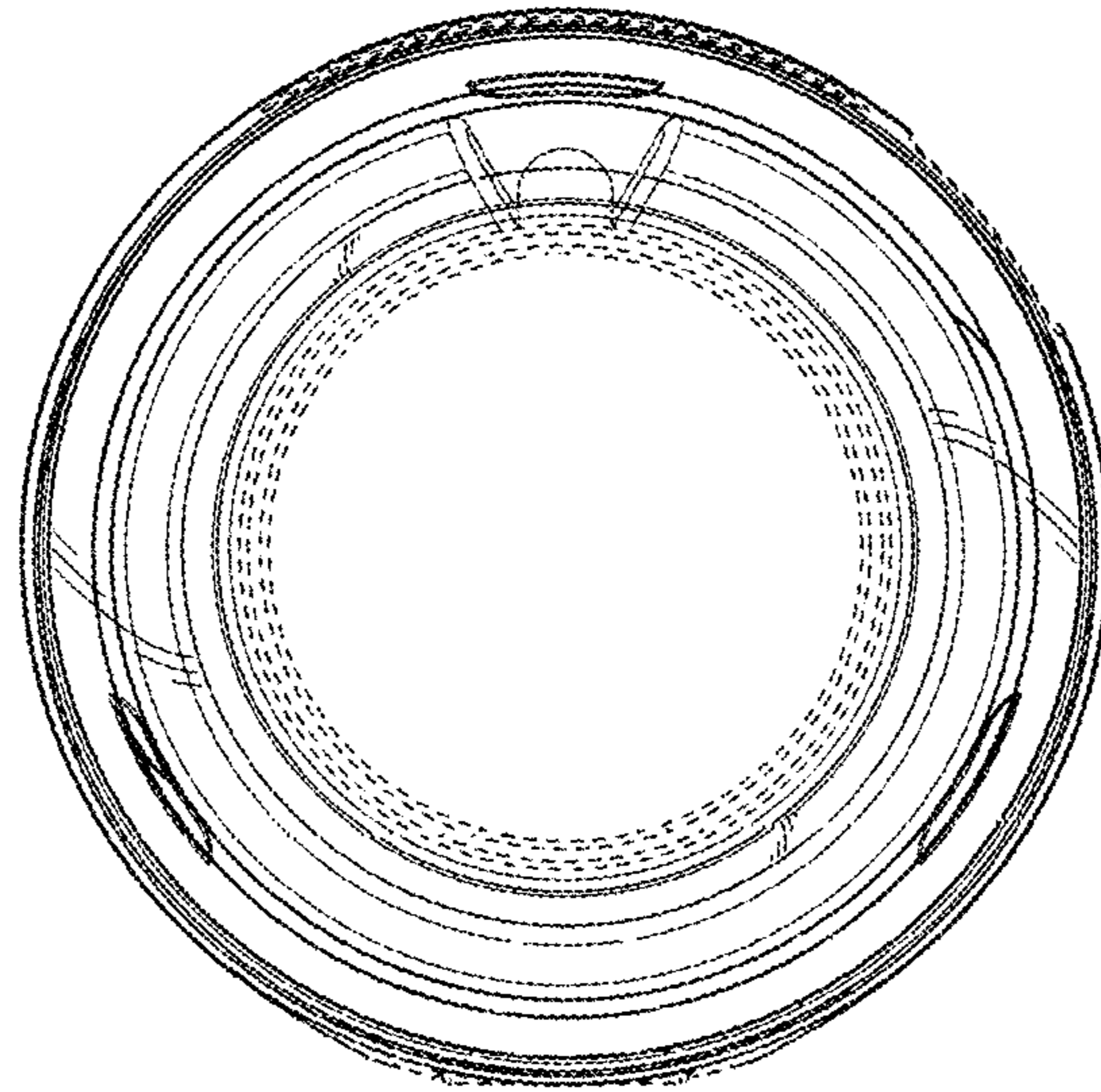


FIG. 7