



US00D784080S

(12) **United States Design Patent**
Szymanski

(10) **Patent No.:** **US D784,080 S**

(45) **Date of Patent:** **** Apr. 18, 2017**

(54) **CONTAINER**

(71) Applicant: **Aaron Szymanski**, Thomaston, CT
(US)

(72) Inventor: **Aaron Szymanski**, Thomaston, CT
(US)

(73) Assignee: **IdeaVillage Products Corp.**, Wayne,
NJ (US)

(**) Term: **15 Years**

(21) Appl. No.: **29/505,213**

(22) Filed: **Jul. 28, 2015**

(51) **LOC (10) Cl.** **07-01**

(52) **U.S. Cl.**
USPC **D7/507; D7/510; D7/511; D7/529**

(58) **Field of Classification Search**
USPC D7/507, 509, 510, 511, 523, 529, 531,
D7/532, 533, 534, 608, 300.2, 591, 598,
D7/601, 602, 387, 392.1, 396.2, 396.1,
D7/398, 399, 397, 400, 516, 518, 519,
D7/513; D9/435, 436, 519, 549, 552,
D9/556, 559, 439, 440, 434; D21/386;
D24/196, 197; 220/592.16, 292.17, 705,
220/710, 495.03

CPC A47G 19/22; A47G 19/2211; A47G
19/2216; A47G 19/2222; A47G 19/2233

See application file for complete search history.

(56) **References Cited**

U.S. PATENT DOCUMENTS

D412,085 S * 7/1999 Roush D7/396.2
D412,441 S * 8/1999 Cheng D9/434
D536,579 S * 2/2007 Roth B65D 81/3205
D7/523
D617,144 S * 6/2010 O'Connor D7/396.2
D624,789 S * 10/2010 Bodum D7/510

D637,041 S * 5/2011 Haskell D7/510
D640,094 S * 6/2011 Carlson D7/510
D648,985 S * 11/2011 Chiu D7/510
D658,443 S * 5/2012 Chiu D7/507
D666,917 S * 9/2012 El Aquah D9/553
D674,241 S * 1/2013 Bickert D7/510
8,381,935 B1 * 2/2013 Buck A47G 19/2205
220/212
D688,521 S * 8/2013 Lees D7/510
D688,523 S * 8/2013 Lees D7/510
D701,425 S * 3/2014 Pearson D7/510
D723,871 S * 3/2015 Khubani D7/505
D742,174 S * 11/2015 Roth D7/300.2
D755,013 S * 5/2016 Khubani D7/507
D761,059 S * 7/2016 Fitchko D7/316
D767,335 S * 9/2016 Khubani D7/507
D773,895 S * 12/2016 Dai D7/507
D773,896 S * 12/2016 Dai D7/507
2003/0173237 A1 * 9/2003 Kim B65D 3/24
206/217
2011/0062168 A1 * 3/2011 Chow B65D 1/04
220/705

* cited by examiner

Primary Examiner — Marianne Pandozzi

Assistant Examiner — Jae Liang

(74) *Attorney, Agent, or Firm* — Dan DelaRosa

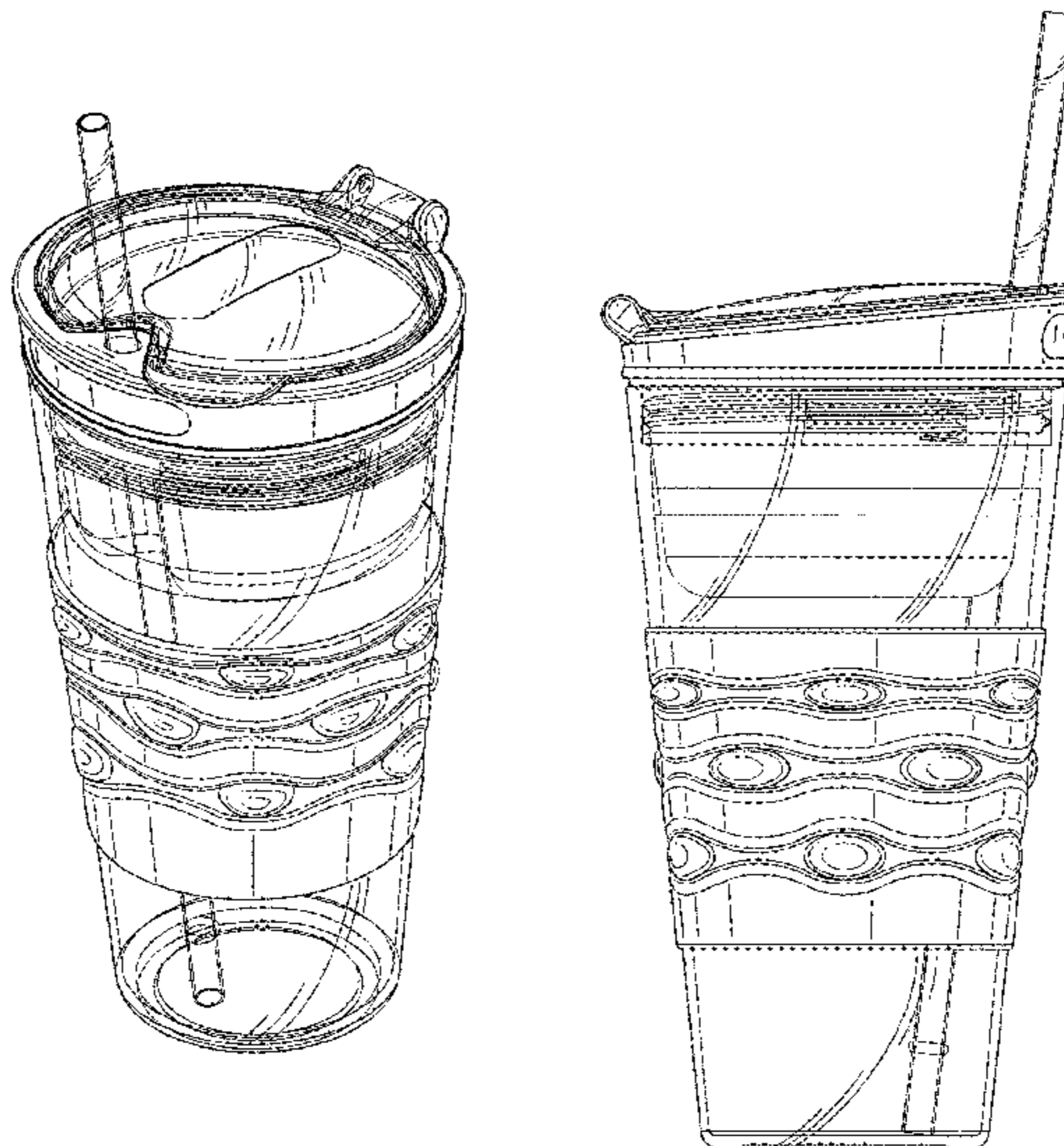
(57) **CLAIM**

The ornamental design for a container, as shown and described.

DESCRIPTION

FIG. 1 is a top front perspective view of a container showing my new design;
FIG. 2 is a front elevational view thereof;
FIG. 3 is a rear elevational view thereof;
FIG. 4 is a first side elevational view thereof;
FIG. 5 is a second side elevational view thereof;
FIG. 6 is a top plan view thereof; and,
FIG. 7 is a bottom plan view thereof.

1 Claim, 7 Drawing Sheets



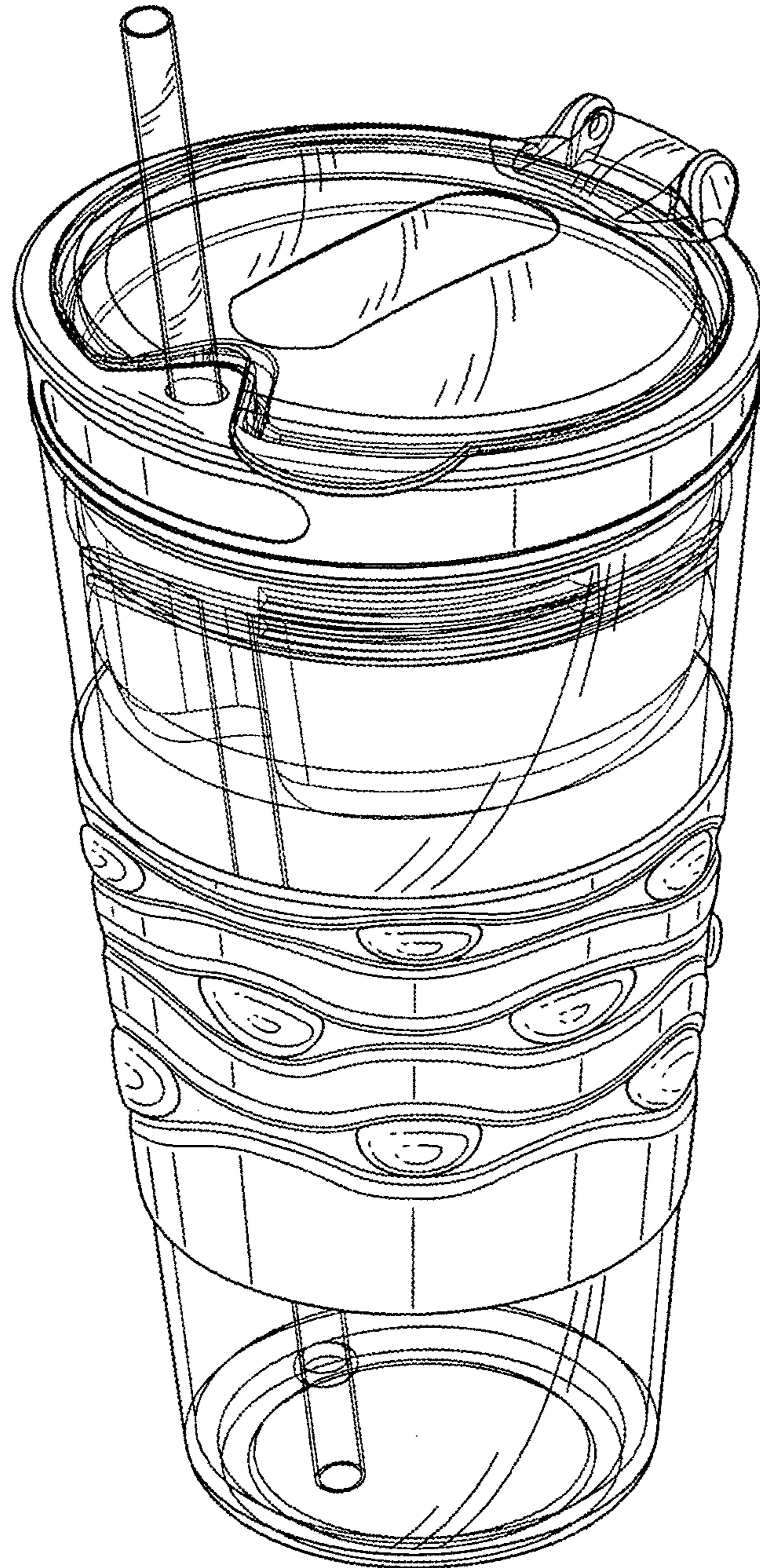


FIG. 1

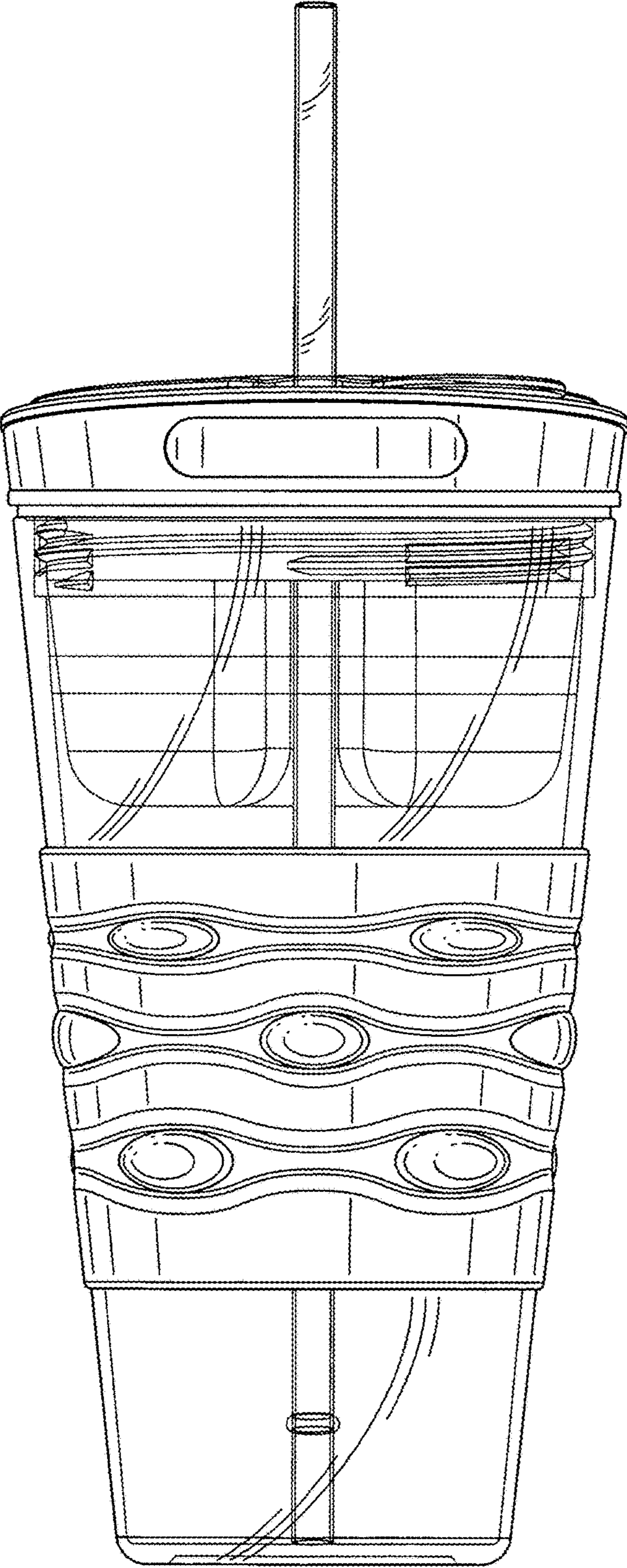


FIG. 2

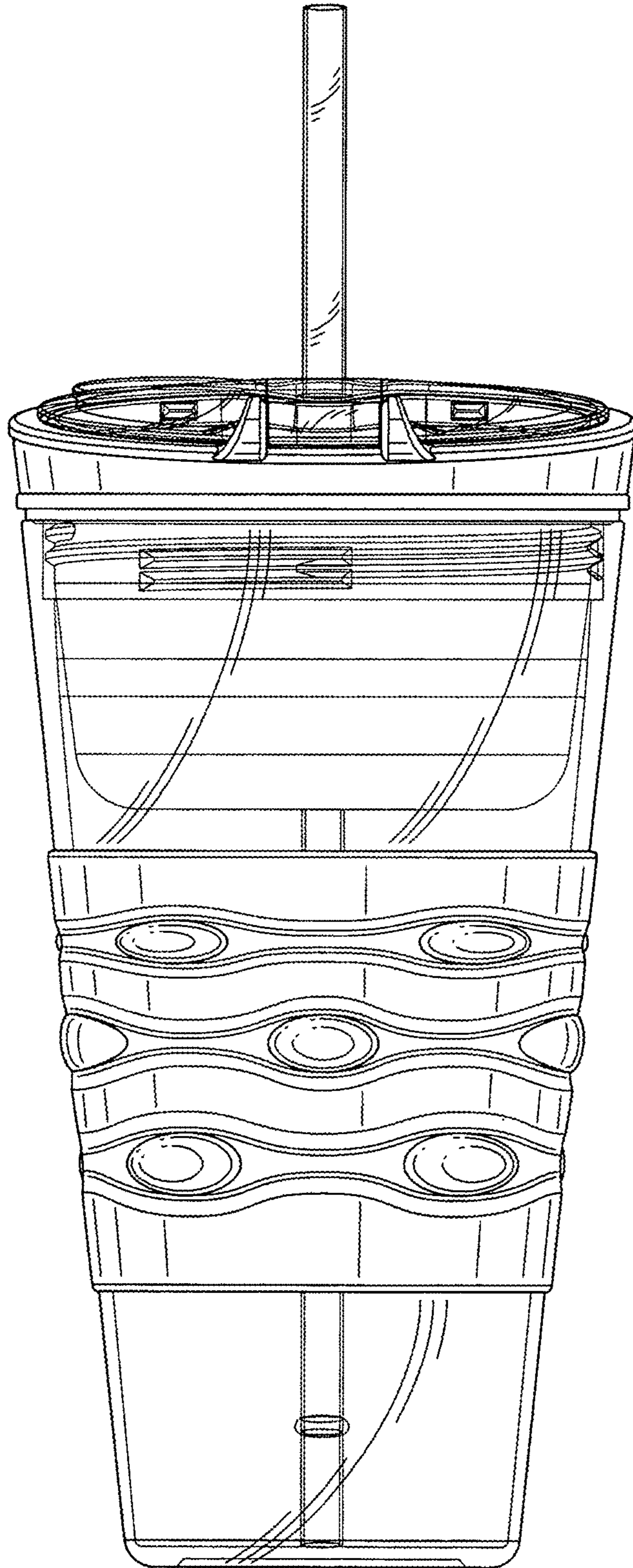


FIG. 3

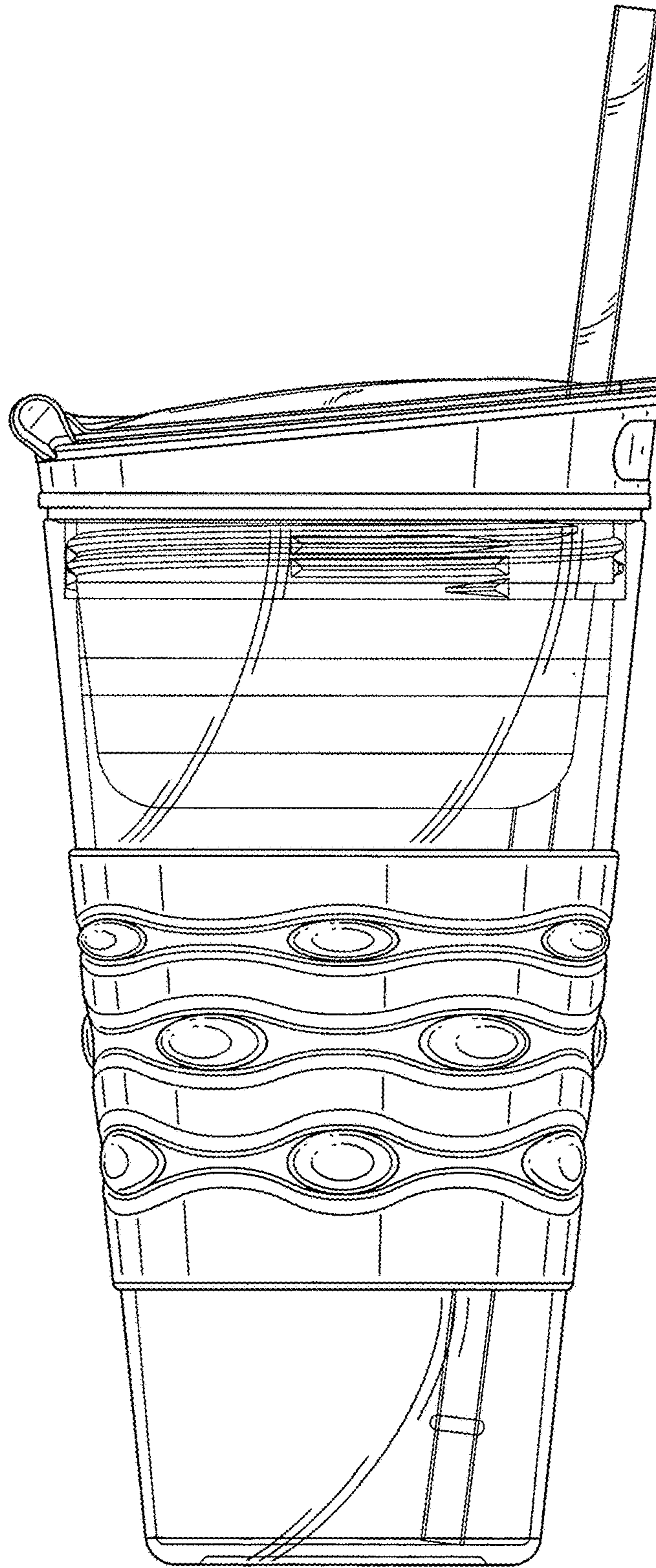


FIG. 4

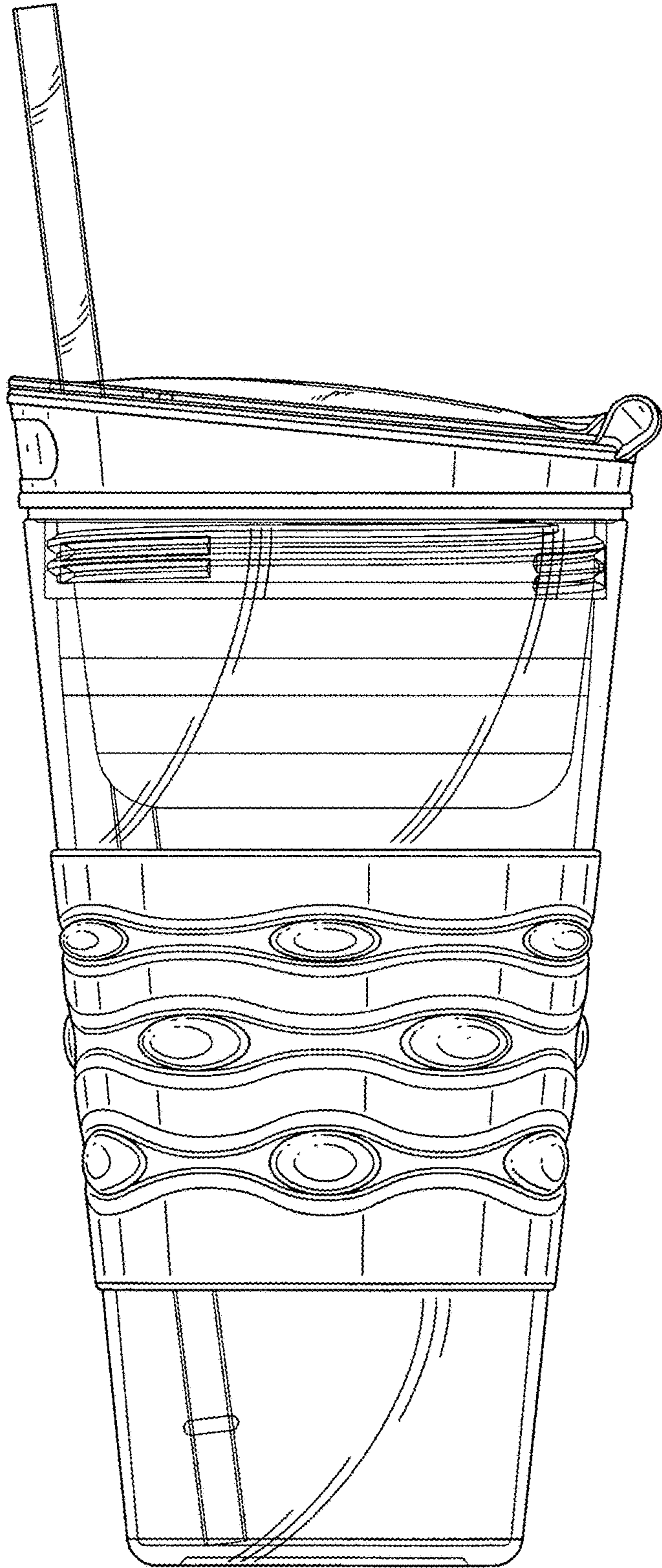


FIG. 5

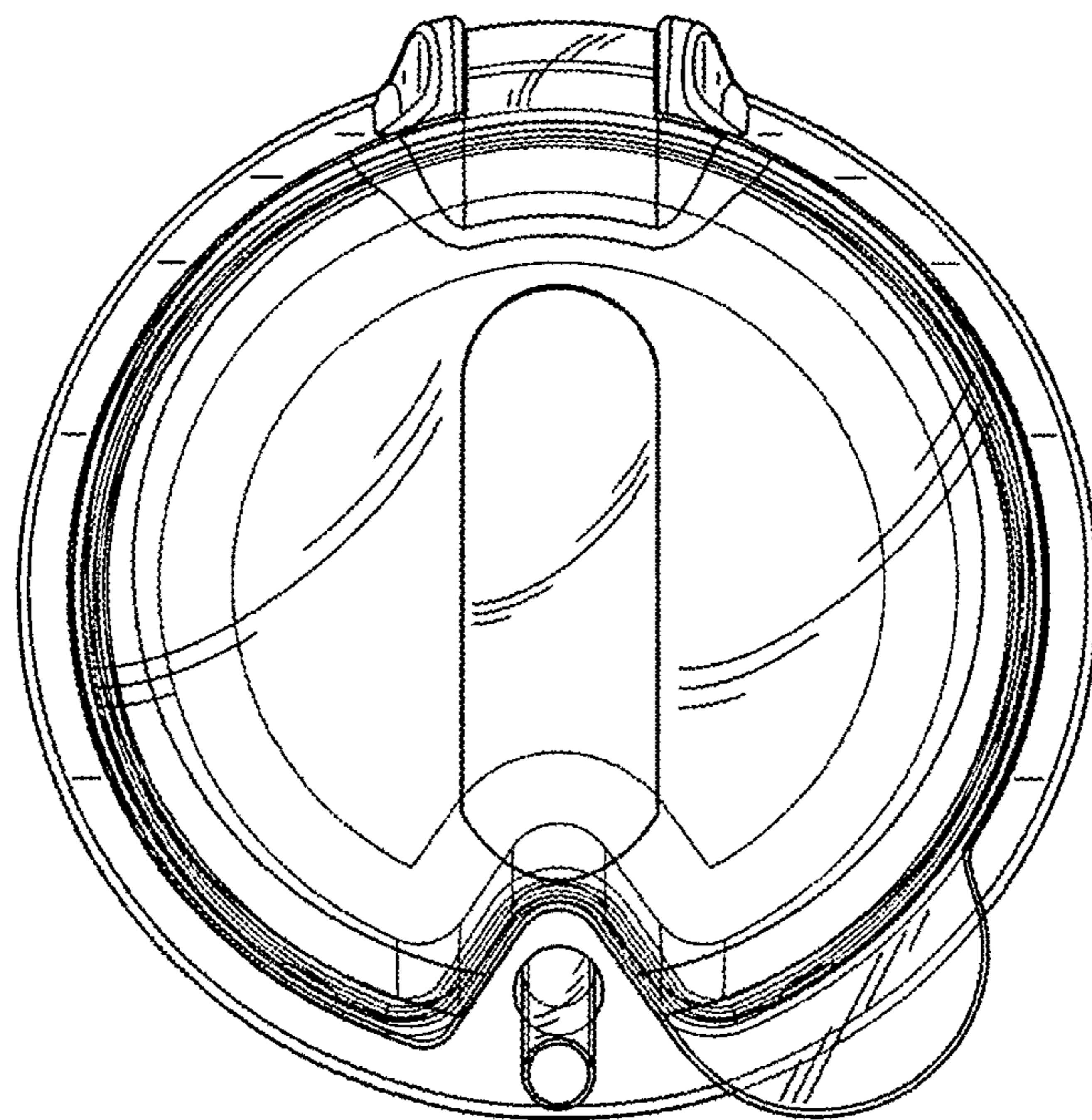


FIG. 6

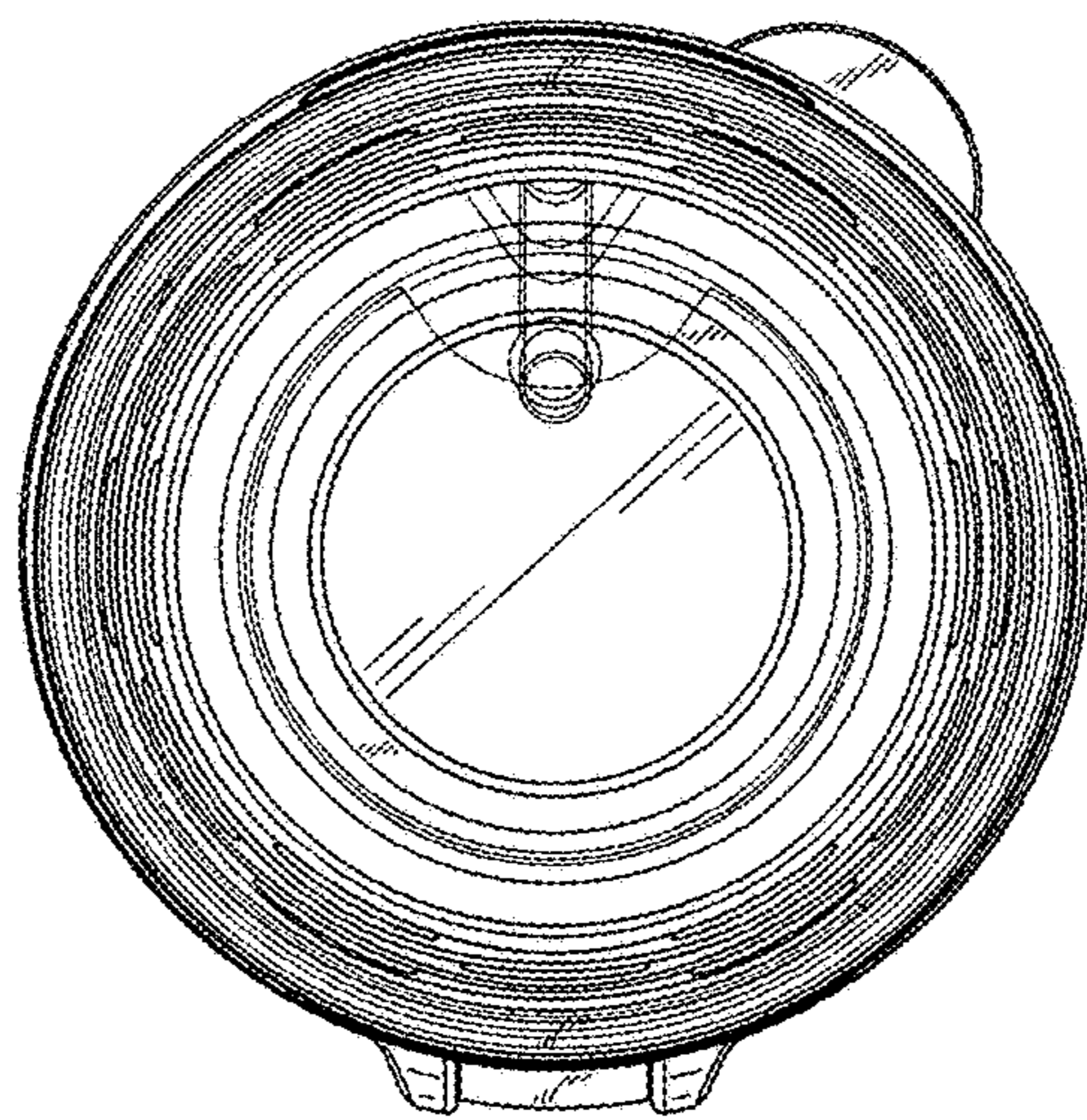


FIG. 7