



US00D784079S

(12) **United States Design Patent**
Szymanski

(10) **Patent No.:** **US D784,079 S**

(45) **Date of Patent:** **** Apr. 18, 2017**

(54) **CONTAINER**

(71) Applicant: **Aaron Szymanski**, Thomaston, CT
(US)

(72) Inventor: **Aaron Szymanski**, Thomaston, CT
(US)

(73) Assignee: **IdeaVillage Products Corp.**, Wayne,
NJ (US)

(**) Term: **15 Years**

(21) Appl. No.: **29/505,212**

(22) Filed: **Jul. 28, 2015**

(51) **LOC (10) Cl.** **07-01**

(52) **U.S. Cl.**

USPC **D7/507**; D7/510; D7/511; D7/529

(58) **Field of Classification Search**

USPC D7/507, 509, 510, 511, 523, 529, 531,
D7/532, 533, 534, 608, 300.2, 591, 598,
D7/601, 602, 387, 392.1, 396.2, 396.1,
D7/398, 399, 397, 400, 516, 518, 519,
D7/513; D9/435, 436, 519, 549, 552,
D9/556, 559, 439, 440, 434; D21/386;
D24/196, 197; 220/592.16, 292.17, 705,
220/710, 495.03

CPC A47G 19/22; A47G 19/2211; A47G
19/2216; A47G 19/2222; A47G 19/2233

See application file for complete search history.

(56) **References Cited**

U.S. PATENT DOCUMENTS

D412,085 S *	7/1999	Roush	D7/396.2
D412,441 S *	8/1999	Cheng	D9/434
D536,579 S *	2/2007	Roth	B65D 81/3205
				D7/523
D617,144 S *	6/2010	O'Connor	D7/396.2
D624,789 S *	10/2010	Bodum	D7/510
D637,041 S *	5/2011	Haskell	D7/510
D640,094 S *	6/2011	Carlson	D7/510

D648,985 S *	11/2011	Chiu	D7/510
D658,443 S *	5/2012	Chiu	D7/507
D666,917 S *	9/2012	El Aquah	D9/553
D674,241 S *	1/2013	Bickert	D7/510
8,381,935 B1 *	2/2013	Buck	A47G 19/2205
				220/212
D688,521 S *	8/2013	Lees	D7/510
D688,523 S *	8/2013	Lees	D7/510
D701,425 S *	3/2014	Pearson	D7/510
D723,871 S *	3/2015	Khubani	D7/505
D742,174 S *	11/2015	Roth	D7/300.2
D755,013 S *	5/2016	Khubani	D7/507
D761,059 S *	7/2016	Fitchko	D7/316
D767,335 S *	9/2016	Khubani	D7/507
D773,895 S *	12/2016	Dai	D7/507
D773,896 S *	12/2016	Dai	D7/507
2003/0173237 A1 *	9/2003	Kim	B65D 3/24
				206/217
2011/0062168 A1 *	3/2011	Chow	B65D 1/04
				220/705

* cited by examiner

Primary Examiner — Marianne Pandozzi

Assistant Examiner — Jae Liang

(74) *Attorney, Agent, or Firm* — Dan DeLaRosa

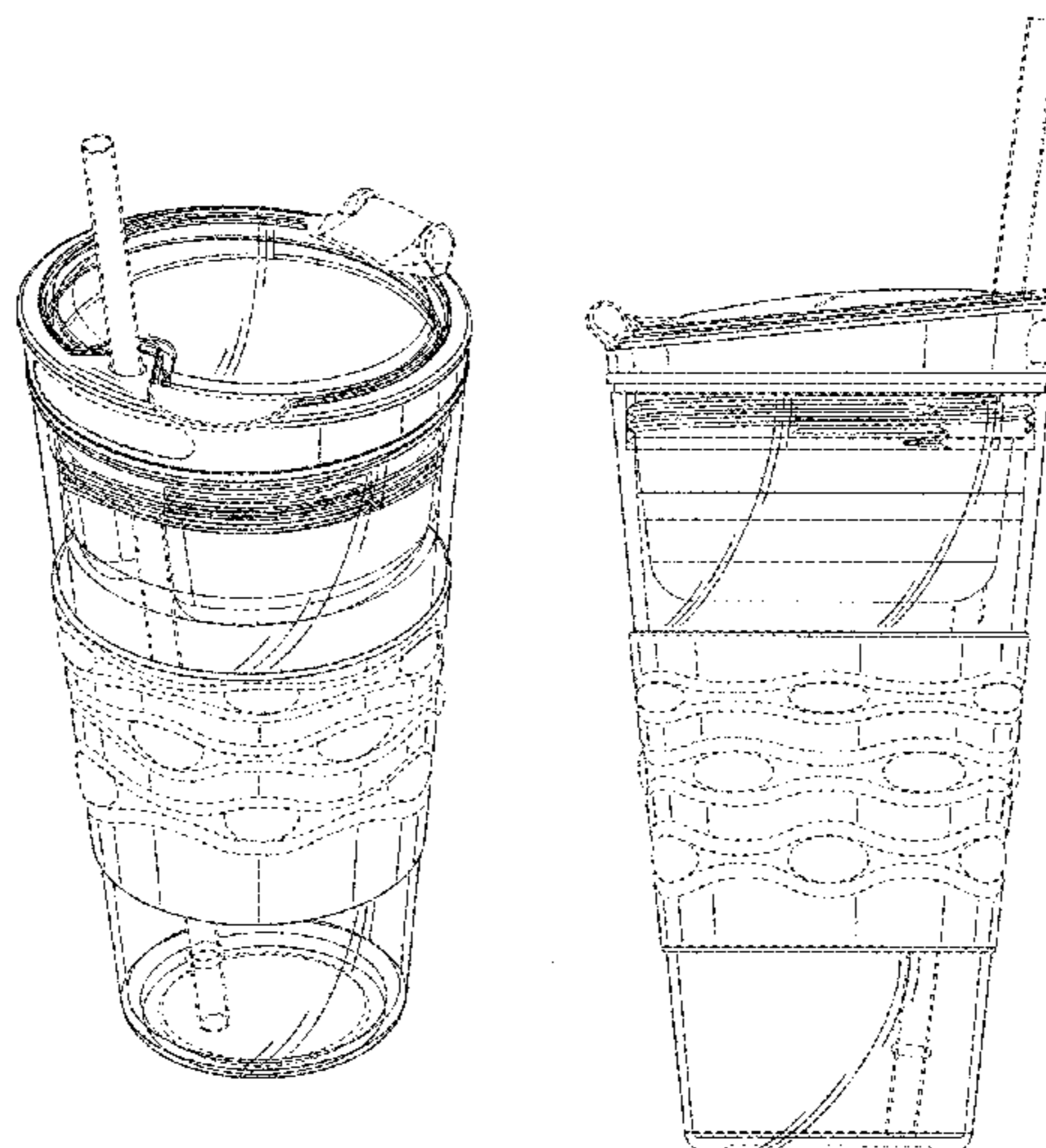
(57) **CLAIM**

The ornamental design for a container, as shown and described.

DESCRIPTION

FIG. 1 is a top front perspective view of a container showing my new design;
FIG. 2 is a front elevational view thereof;
FIG. 3 is a rear elevational view thereof;
FIG. 4 is a first side elevational view thereof;
FIG. 5 is a second side elevational view thereof;
FIG. 6 is a top plan view thereof; and,
FIG. 7 is a bottom plan view thereof.
The broken lines in the drawing depict portions of the container that form no part of the claimed design.

1 Claim, 7 Drawing Sheets



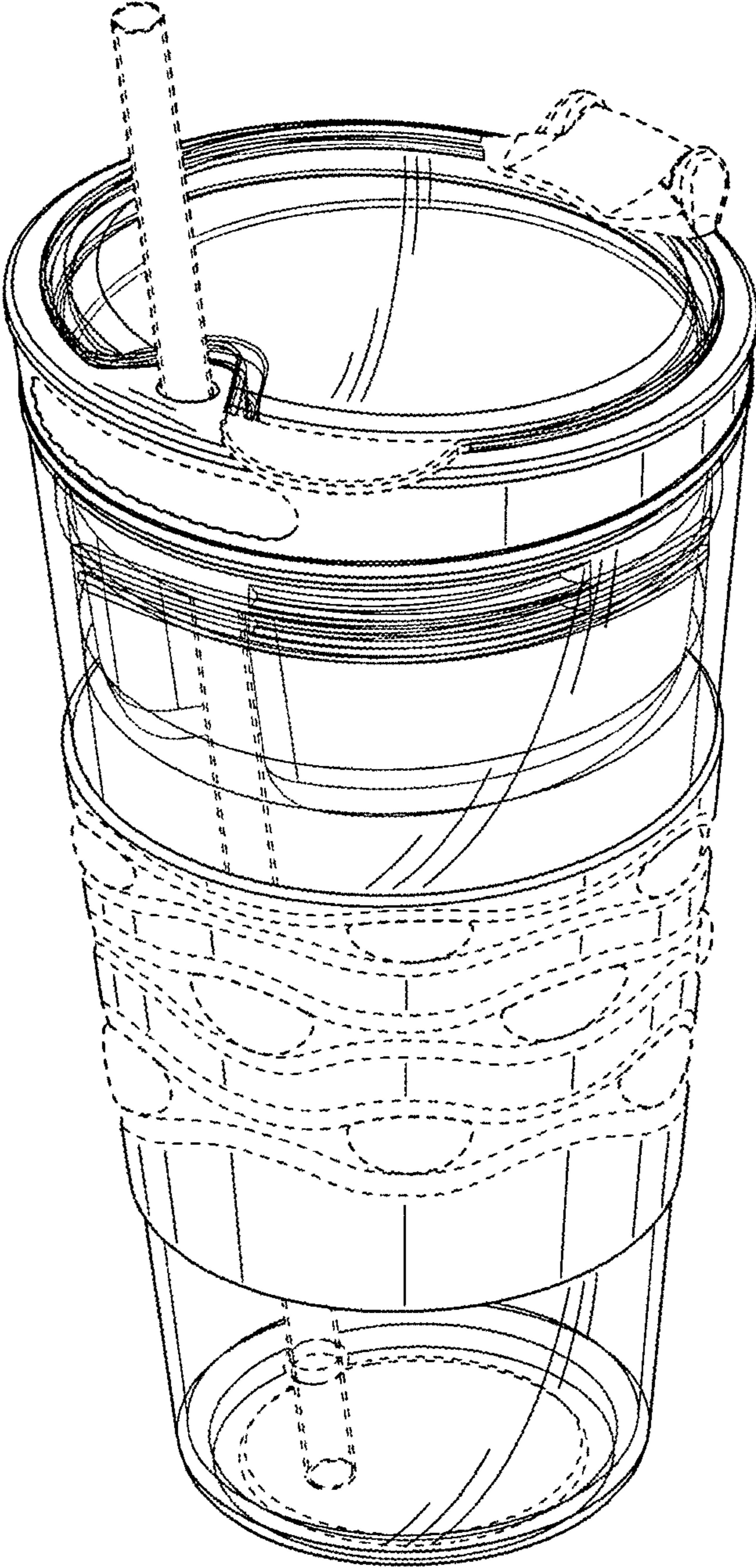


FIG. 1

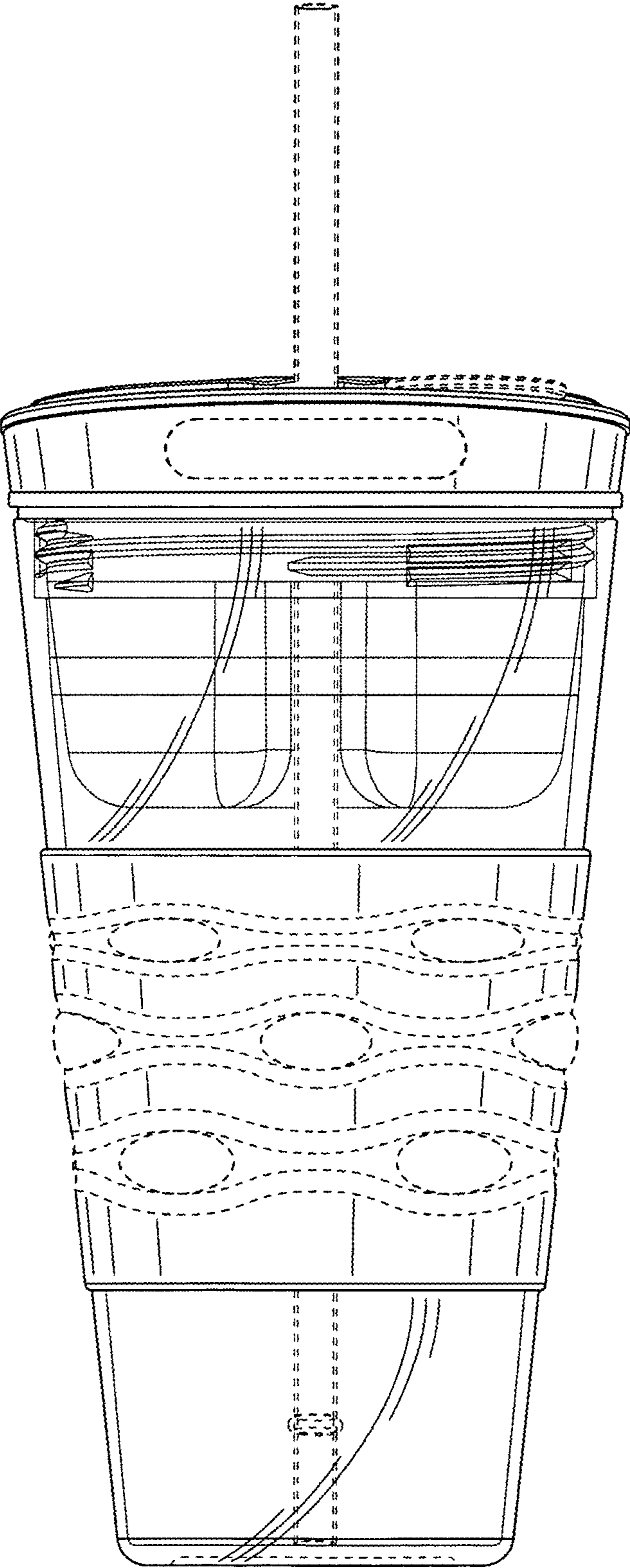


FIG. 2

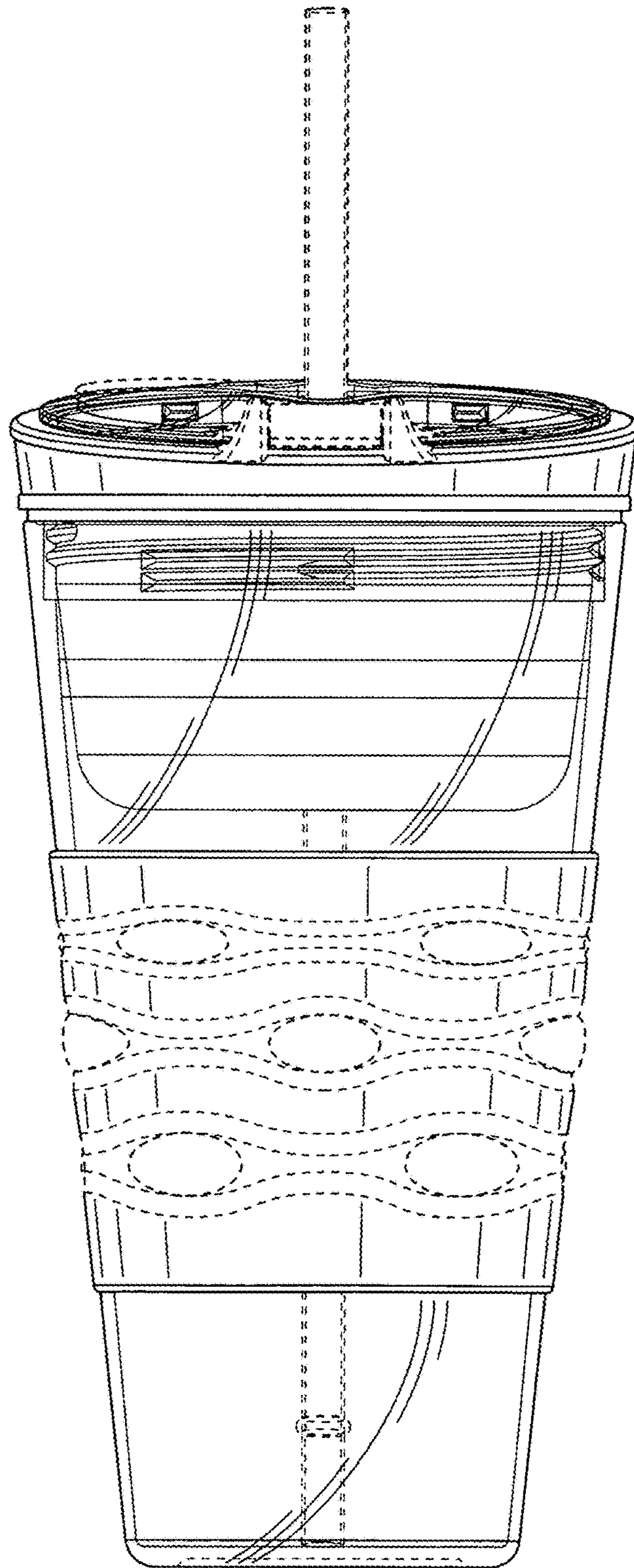


FIG. 3

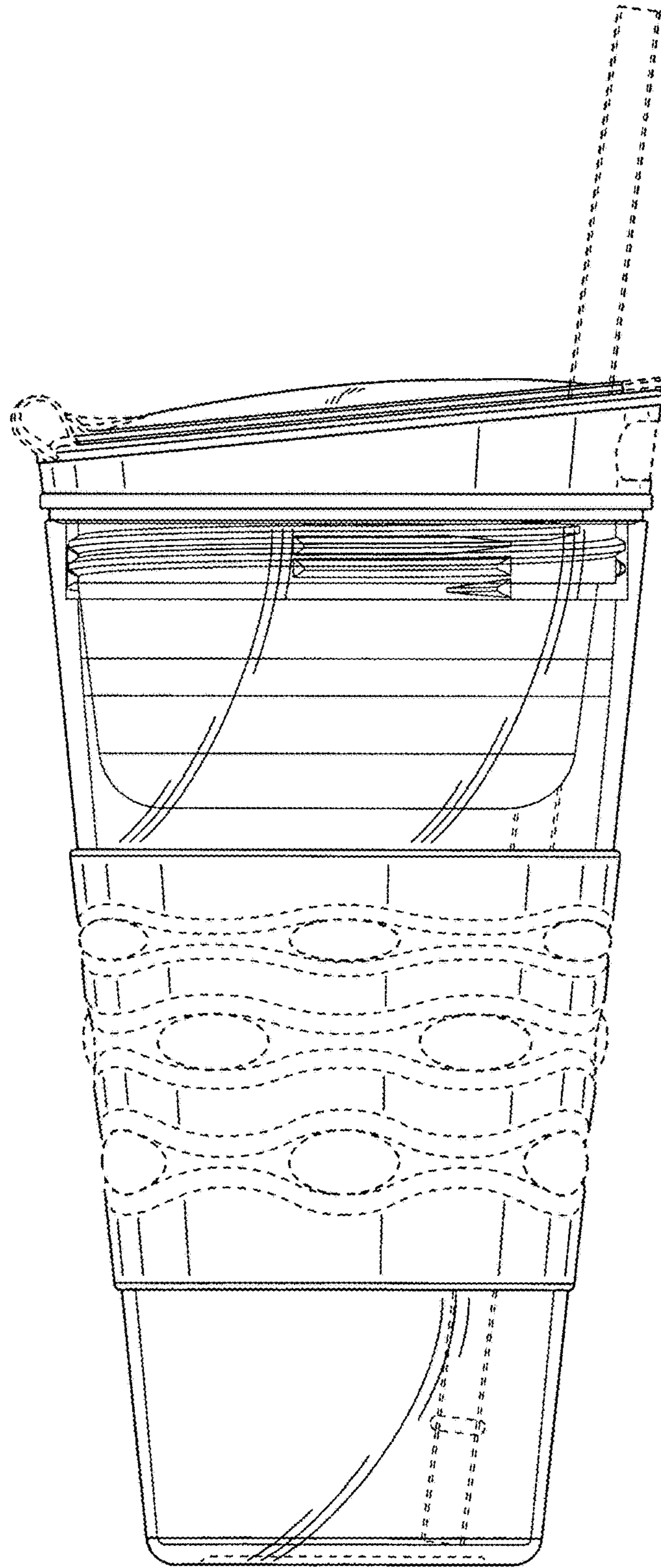


FIG. 4

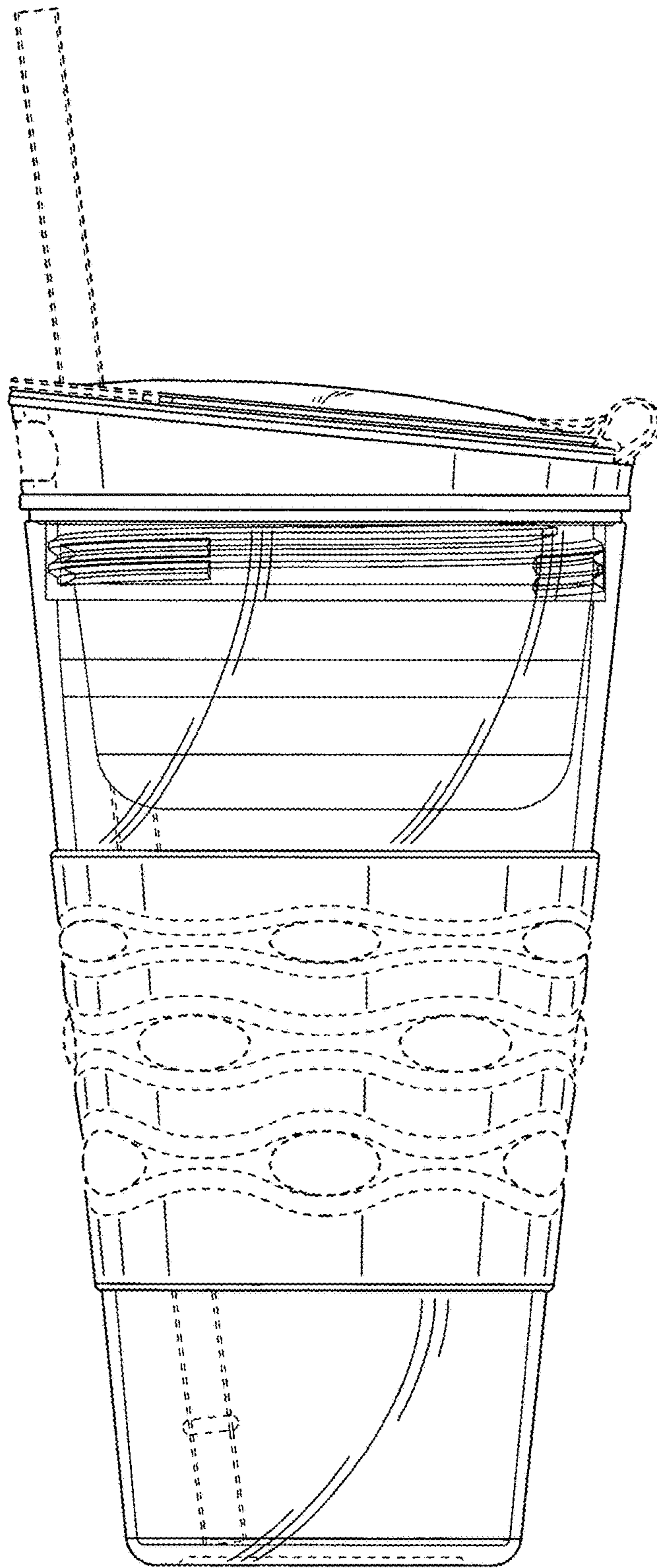


FIG. 5

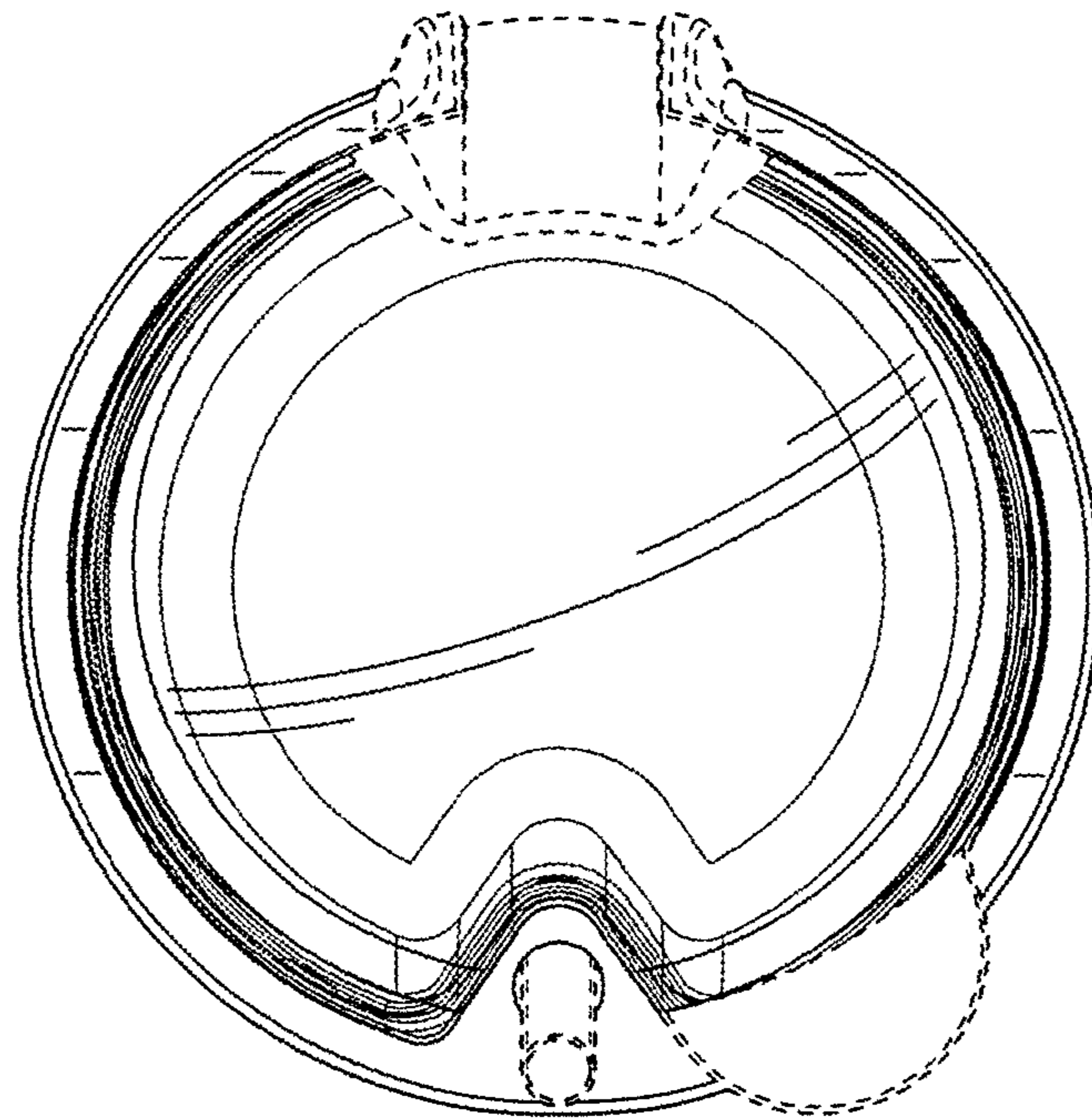


FIG. 6

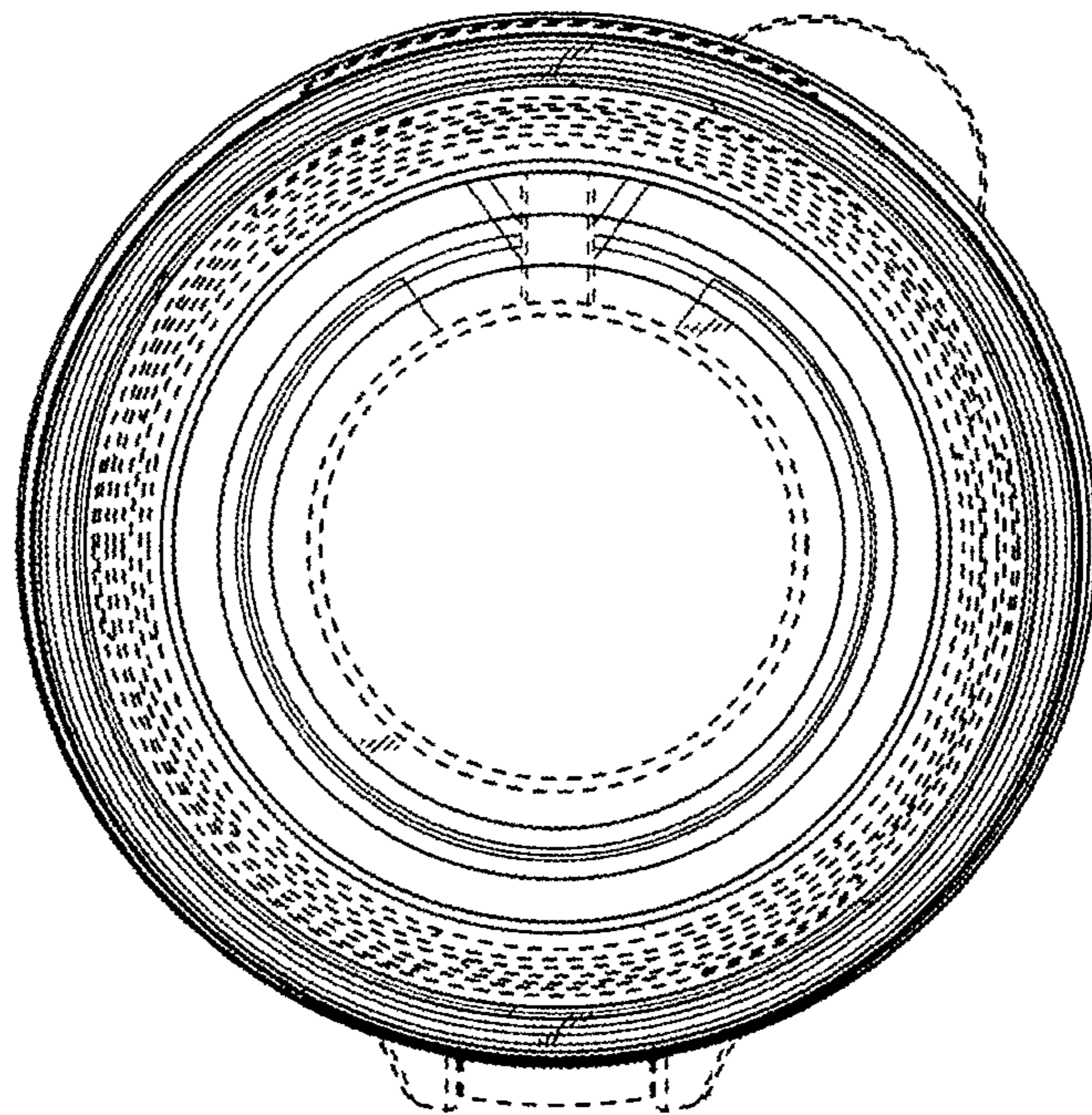


FIG. 7